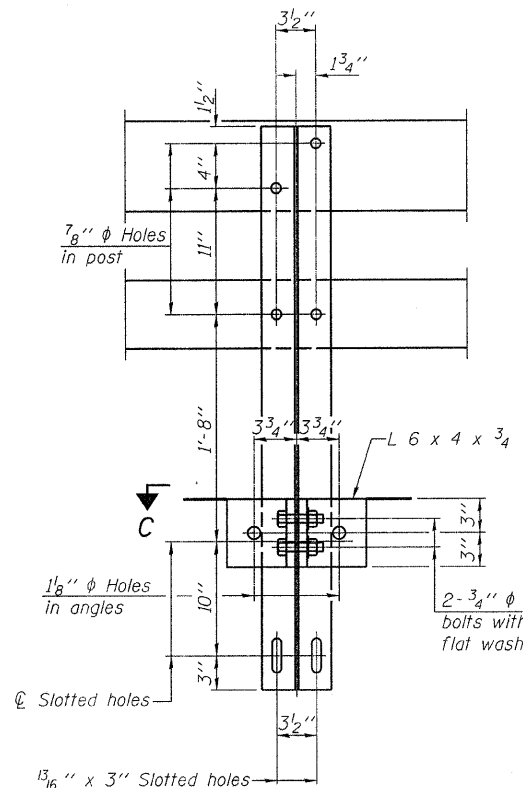
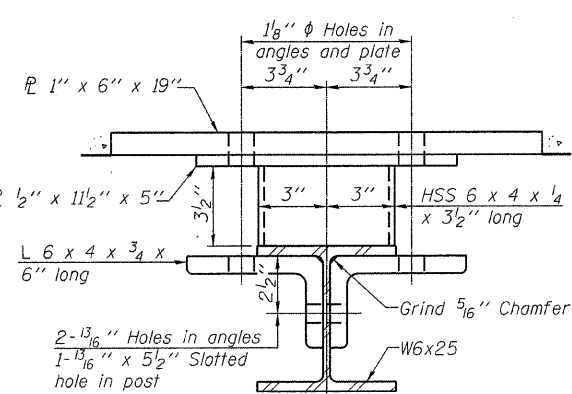


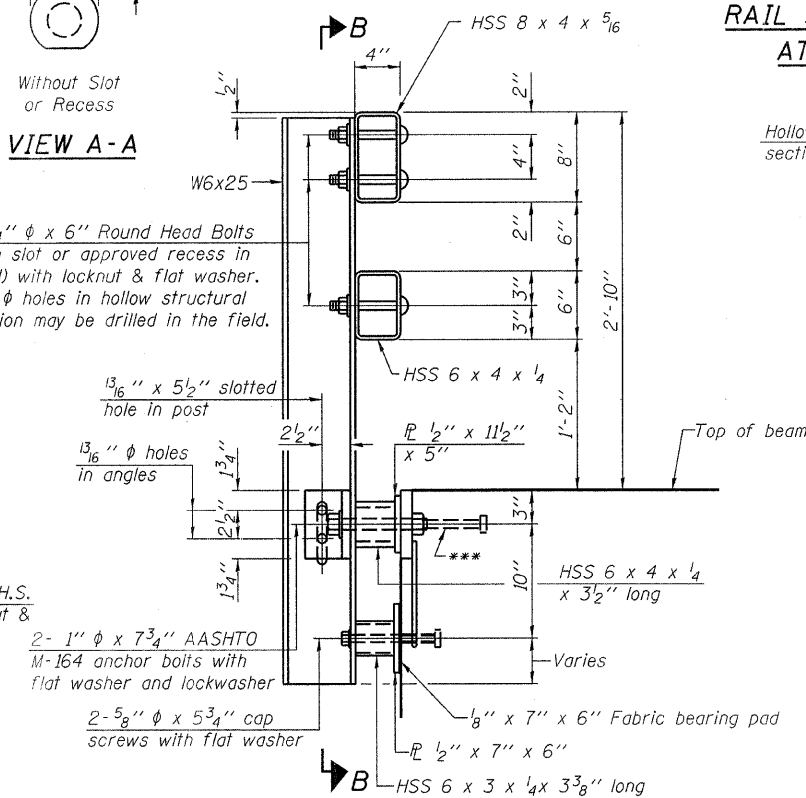
4-3/4" ϕ x 6" Round Head Bolts
(With slot or approved recess in head) with locknut & flat washer.
7/8" ϕ holes in hollow structural section may be drilled in the field.



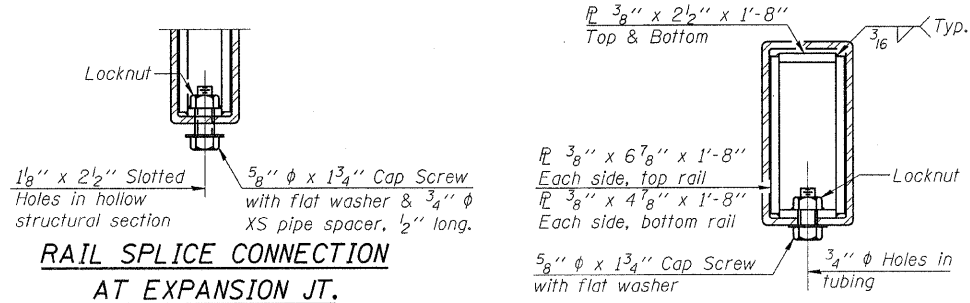
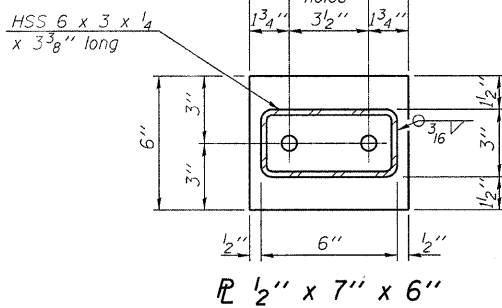
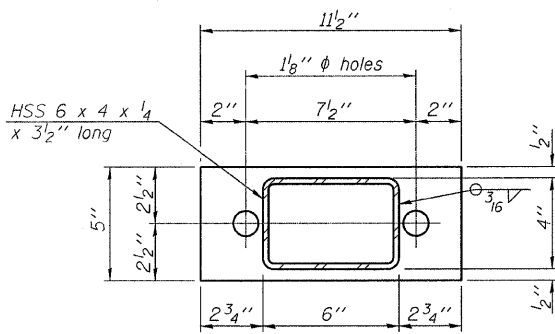
SECTION B-B



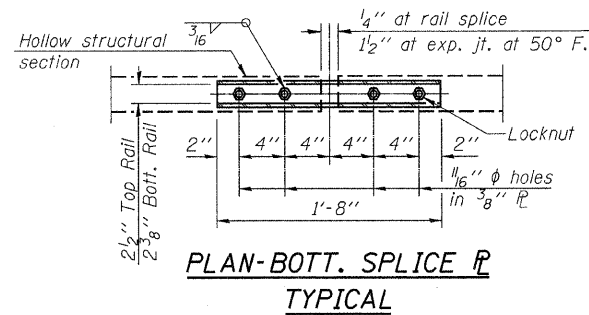
SECTION C-C



SECTION AT RAIL POST

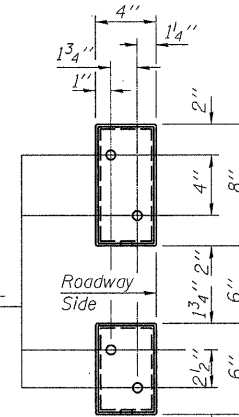


RAIL SPLICE CONNECTION AT EXPANSION JT.

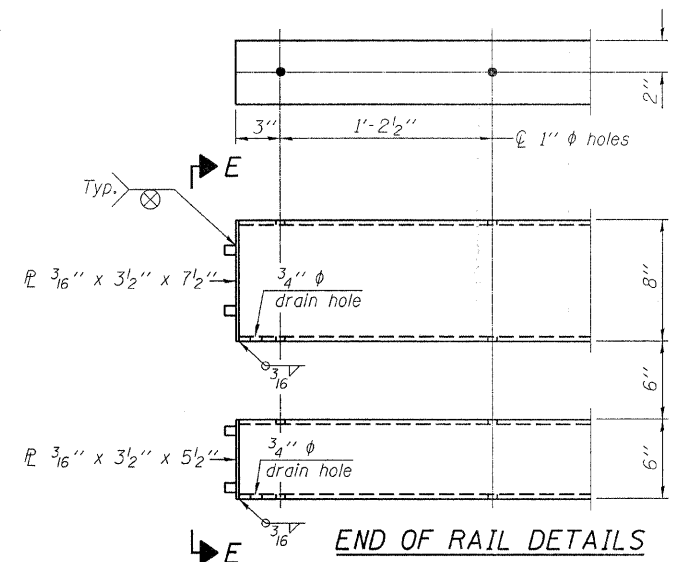


PLAN-BOTT. SPLICE R TYPICAL

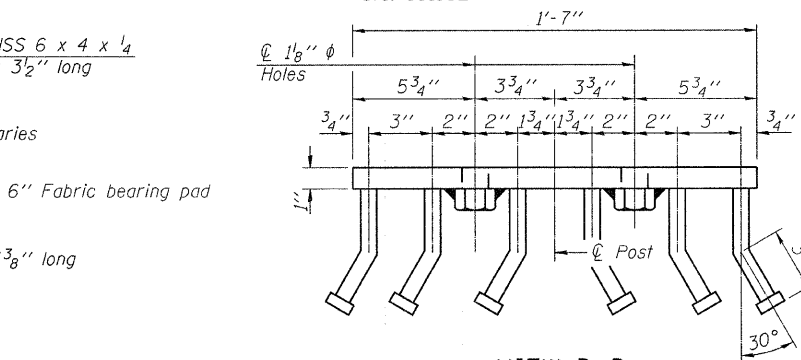
SECTION AT RAIL SPLICE



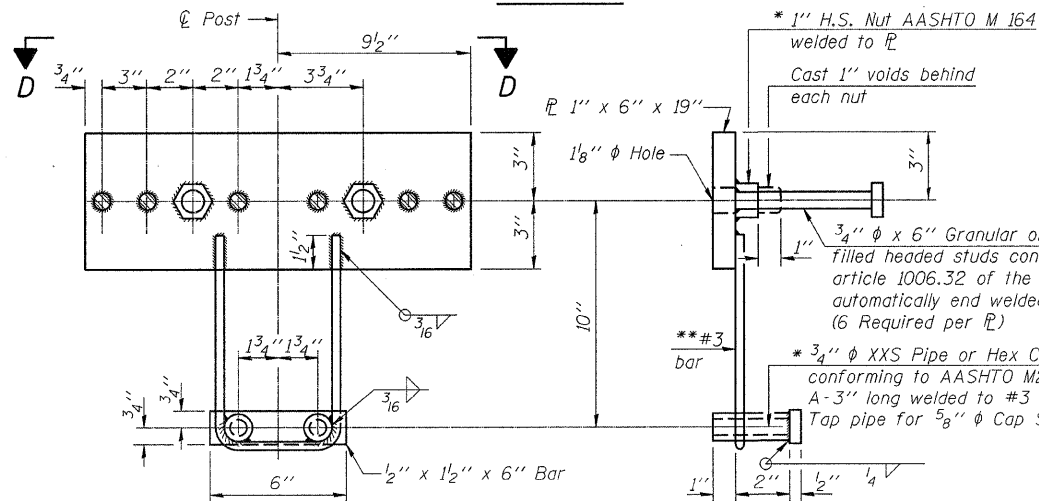
VIEW E-E



END OF RAIL DETAILS



VIEW D-D



ANCHOR DEVICE

*Threaded areas shall be plugged or blocked off during casting of beam. Galvanized after fabrication.

Notes:
All field drilled holes shall be coated with an approved zinc rich paint before erection.
For multi-span bridges, sufficient 1/4" x 6" x 1'-2" galvanized steel shims shall be provided to align rail between adjacent spans. Cost included with Steel Railing, Type SM.
All steel rail members shall be galvanized according to Article 509.05 of the Standard Specifications.
*** The studs of the anchor devices shall be placed below the top reinforcement bars and the outermost longitudinal reinforcement bar shall be placed directly above the studs of the rail post anchor device.

** Whenever the lower insert assemblies interfere with strand locations, the #3 bars shall be cut and adjusted in order to allow raising or lowering of the lower inserts. Maximum adjustment not to exceed 1/2".

BILL OF MATERIAL

Item	Unit	Quantity
Steel Railing, Type SM	Foot	933

STEEL RAILING, TYPE SM
STRUCTURE NO. 074-3296

DESIGNED - M.D.C.
CHECKED - S.M.S.
DRAWN - D.A.B.
CHECKED - M.G.B.

R-34HMAWS

10-1-08 (6'-3" Maximum Post Spacing) (1/4" minimum to 3/8" maximum HMA thickness)

HAMPTON, LENZINI & RENWICK, INC.
CIVIL & STRUCTURAL ENGINEERS
LAND SURVEYORS
HLR
3085 STEVENSON DRIVE, SUITE 201
SPRINGFIELD, ILLINOIS 62703
(217) 548-3400
PROJECT NUMBER: 12-76-0001-1 DATE: 12/22/08

T.R.	SECTION	COUNTY	TOTAL SHEETS	SHEET NO.
154	03-06130-00-BR	PIATT	57	21
SANGAMON ROAD DISTRICT		CONTRACT NO. 91385		
FED. ROAD DIST. NO.		ILLINOIS FED. AID PROJECT		