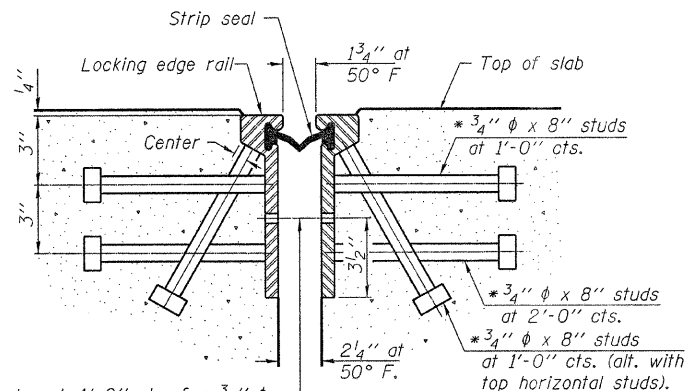
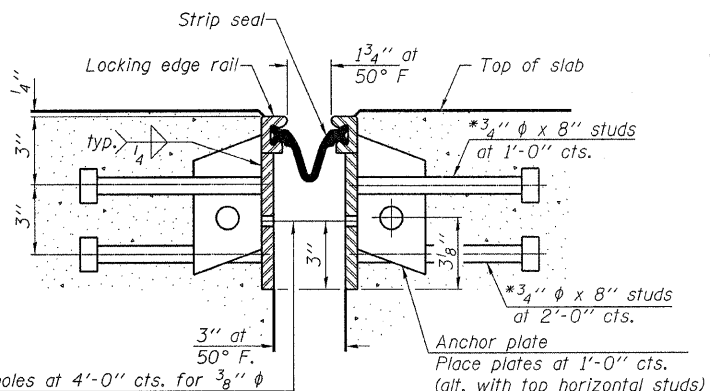


\* Granular or solid flux filled headed studs conforming to Article 1006.32 of the Std. Specs., automatically end welded.



7/16"  $\phi$  holes at 4'-0" cts. for 3/8"  $\phi$  bolts. All bolts shall be burned, sawed, or chipped off flush with the plates after forms are removed, typ.

**SECTION THRU ROLLED RAIL JOINT**



7/16"  $\phi$  holes at 4'-0" cts. for 3/8"  $\phi$  bolts. All bolts shall be burned, sawed, or chipped off flush with the plates after forms are removed, typ.

**SECTION THRU WELDED RAIL JOINT**

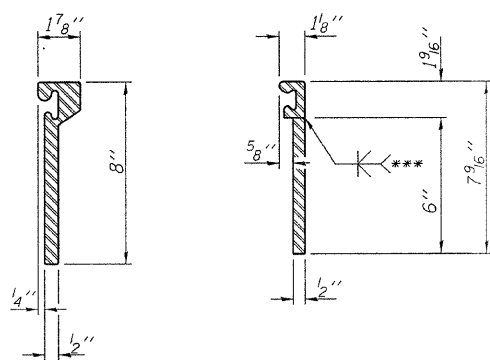
**Notes:**

The strip seal shall be made continuous and shall have a minimum thickness of 1/4". The configuration of the strip seal shall match the configuration of the Locking Edge Rails. Open or "webbed" strip seal gland configurations are not permitted. The gland shall be sized for a maximum rated movement of 4 inches.

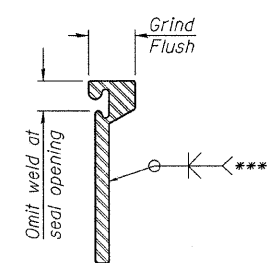
The height and thickness of the Locking Edge Rails shown are minimum dimensions. The actual configuration of the Locking Edge Rails and matching strip seal may vary from manufacturer to manufacturer. Flanged edge rails will not be allowed. Locking Edge Rails may be spliced at slope discontinuities and stage construction joints.

The manufacturer's recommended installation methods shall be followed. The joint opening and deck dimensions detailed on the superstructure are based on a rolled rail expansion joint. If the Contractor elects to use the welded rail expansion joint, the opening and deck dimensions shall be modified according to the dimensions detailed on this sheet. Required modifications shall be made at no additional cost to the State.

All steel components shall be galvanized after fabrication according to Article 520.03 of the Standard Specifications.



**ROLLED EXTRUDED RAIL WELDED RAIL**

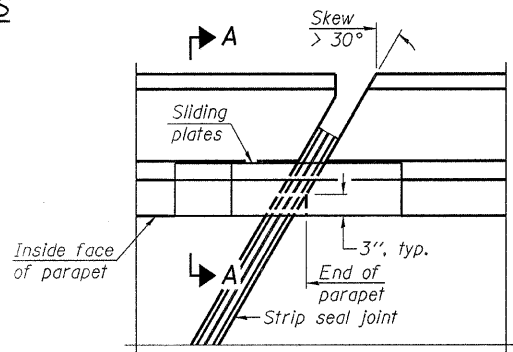


\*\*\*Back gouge not required if complete joint penetration is verified by mock-up.

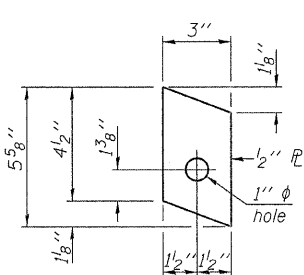
**LOCKING EDGE RAIL SPLICE**

The inside of the locking edge rail groove shall be free of weld residue.

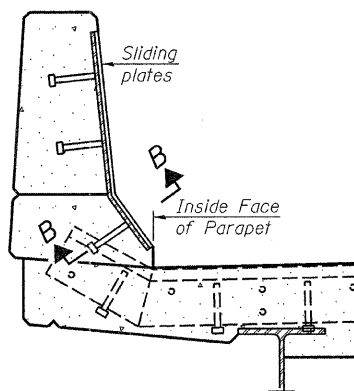
**LOCKING EDGE RAILS**



**PLAN**

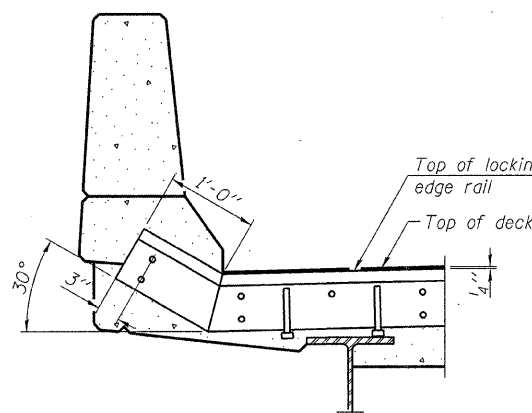


**ANCHOR PLATE (for welded rail)**

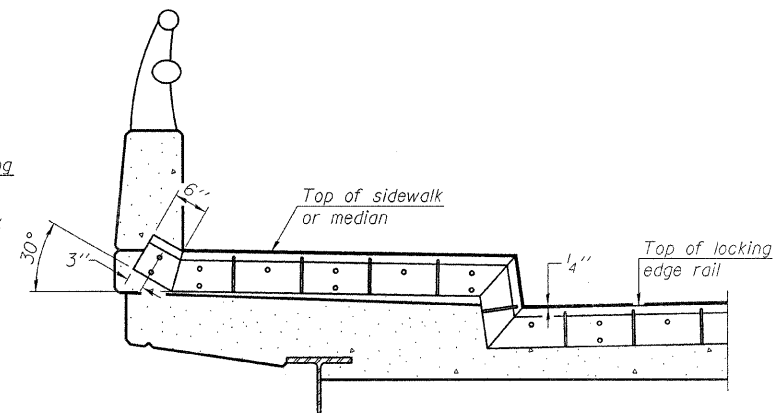


**SECTION A-A**

**POINT BLOCK DETAILS (for skews > 30°)**



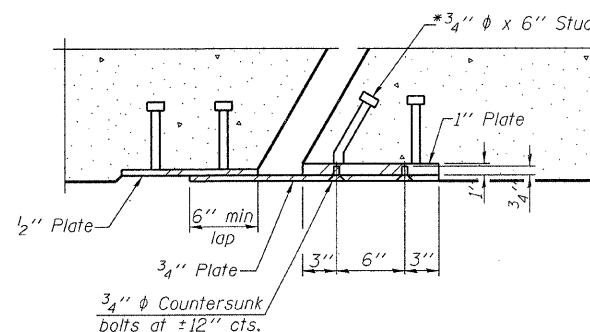
**AT PARAPET**



**AT SIDEWALK OR MEDIAN**

Shorter plates with a single row of studs at 12" cts. may be necessary on medians which are shallower than 9". See manufacturer's recommendation.

**TYPICAL END TREATMENTS**



**SECTION B-B**

**BILL OF MATERIAL**

Item	Unit	Total
Preformed Joint Strip Seal	Foot	65

**PREFORMED JOINT STRIP SEAL STRUCTURE NO. 074-3296**

DESIGNED - M.D.C.
CHECKED - S.M.S.
DRAWN - D.A.B.
CHECKED - M.G.B.

EJ-SSJ

10-1-08

**HAMPTON, LENZINI & RENWICK, INC.**  
 CIVIL & STRUCTURAL ENGINEERS  
 LAND SURVEYORS  
**HLR** 3085 STEVENSON DRIVE, SUITE 201  
 SPRINGFIELD, ILLINOIS 62703  
 (217) 546-3400  
 PROJECT NUMBER: 12-76-0001-1 DATE: 12/22/08

T.R.	SECTION	COUNTY	TOTAL SHEETS	SHEET NO.
154	03-06130-00-BR	PIATT	57	22
SANGAMON ROAD DISTRICT		CONTRACT NO. 91385		
FED. ROAD DIST. NO.		ILLINOIS FED. AID PROJECT		