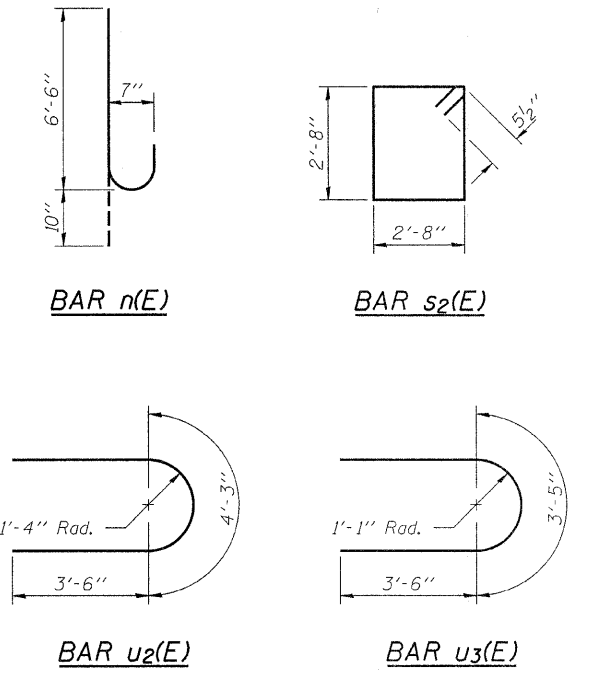
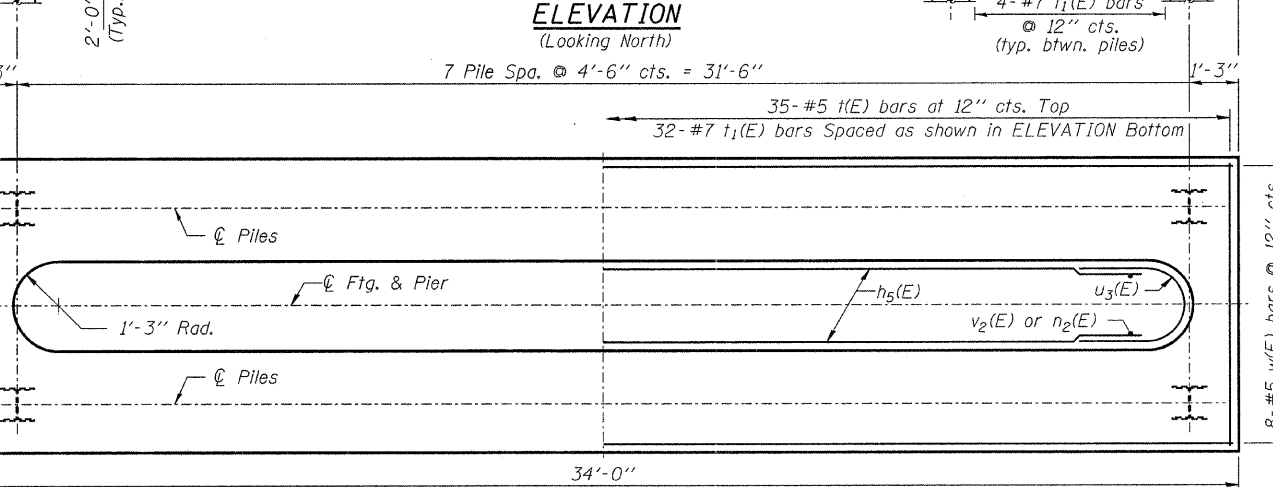
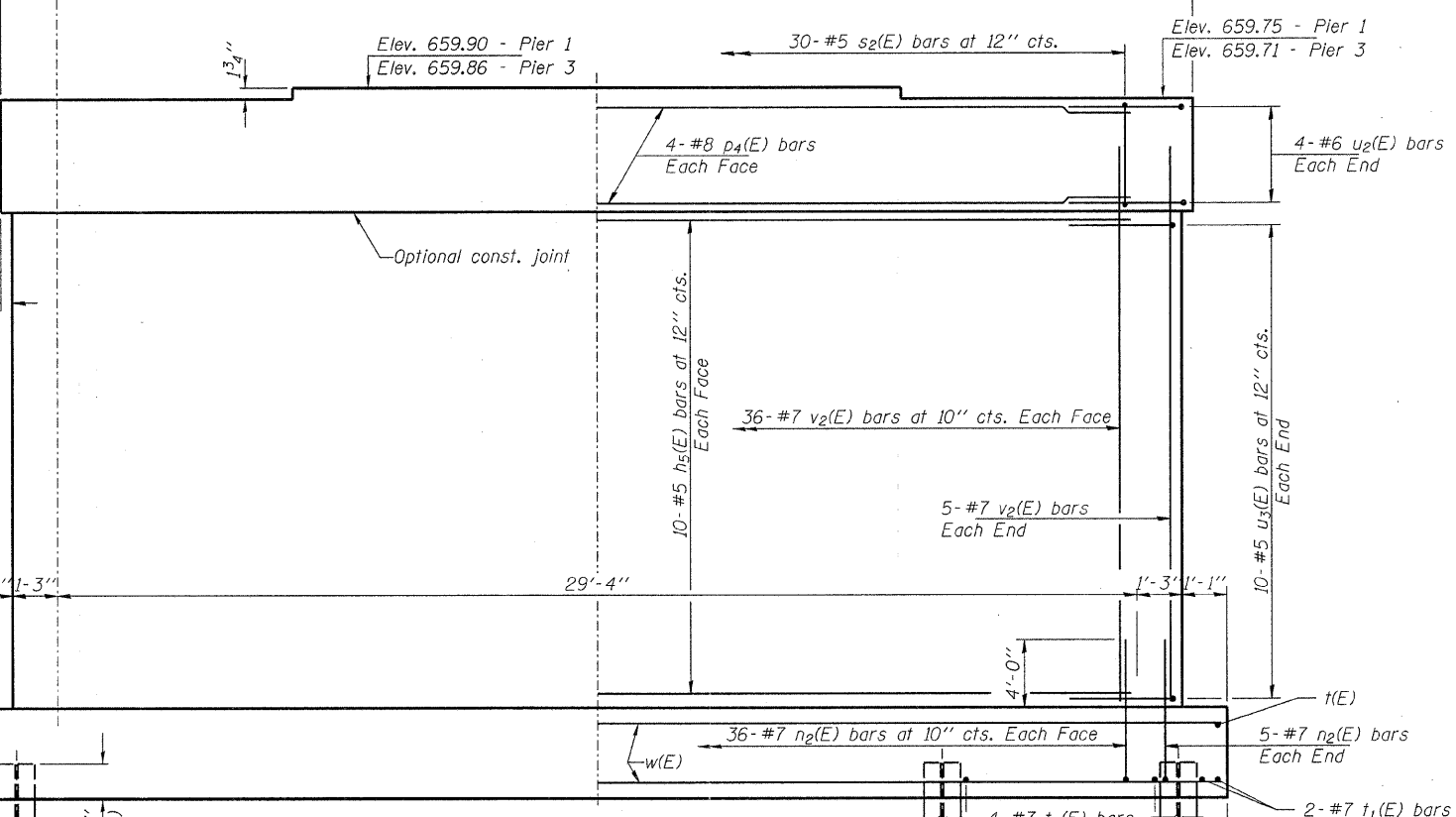
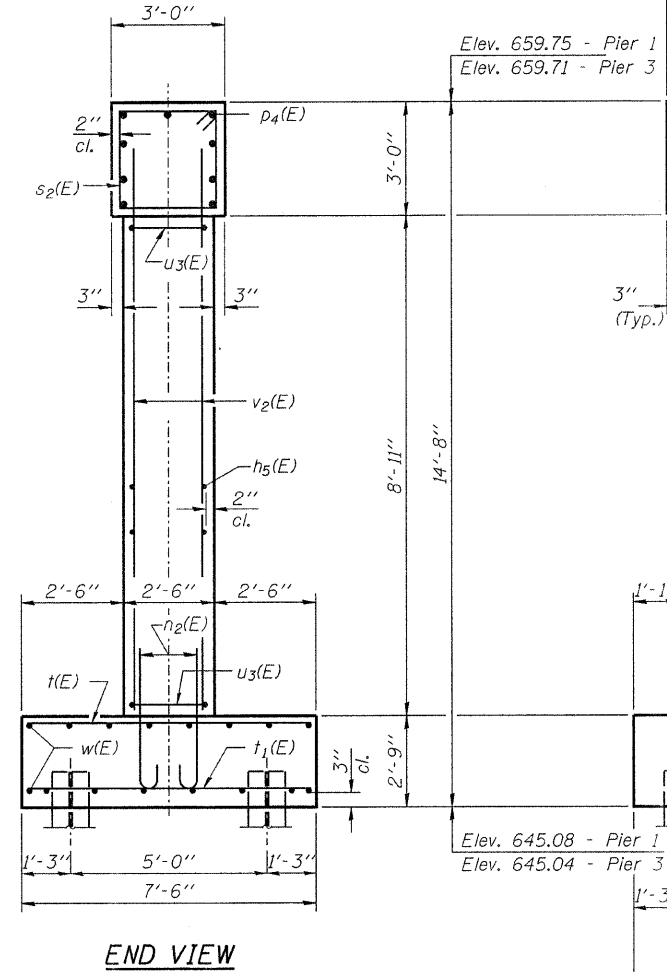
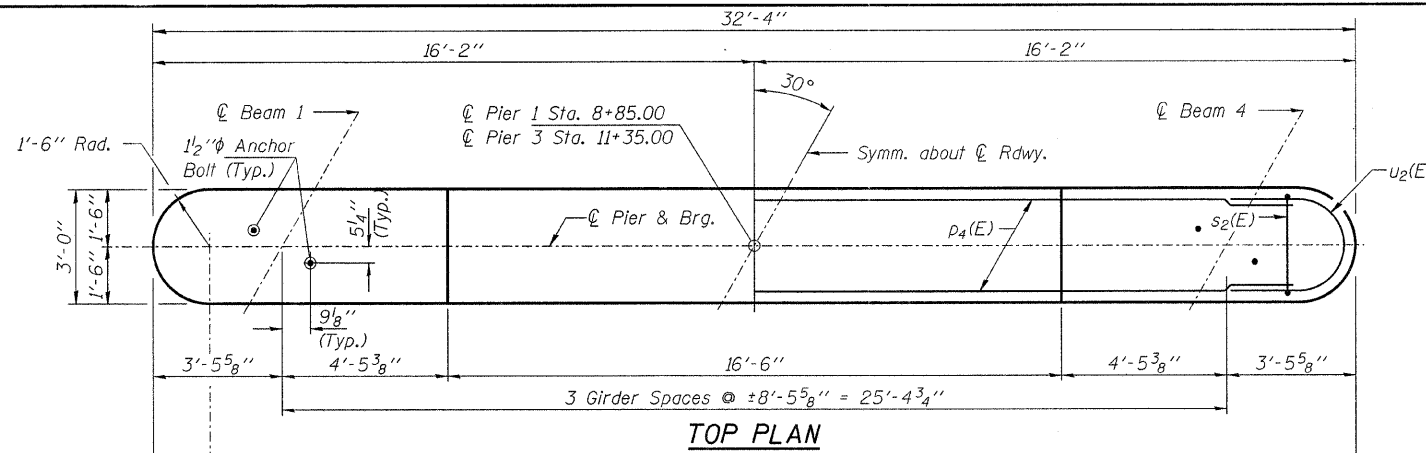


Notes:
 Space reinforcement in cap to miss anchor bolts.
 Pour steps monolithically with cap.
 For details of piles, see sheet 32.



**BILL OF MATERIAL
PIERS 1 & 3**

Bar	No.	Size	Length	Shape
h ₅ (E)	40	#5	29'-0"	—
n ₂ (E)	164	#7	7'-4"	U
p ₄ (E)	18	#8	29'-0"	—
s ₂ (E)	60	#5	11'-7"	□
t(E)	70	#5	7'-2"	—
t ₁ (E)	64	#7	7'-2"	—
u ₂ (E)	16	#6	11'-3"	U
u ₃ (E)	40	#5	10'-5"	U
v ₂ (E)	164	#7	10'-11"	—
w(E)	32	#5	33'-8"	—
Structure Excavation			Cu. Yd.	241
Concrete Structures			Cu. Yd.	125.2
Reinforcement Bars, Epoxy Coated			Pound	12,740
Furnishing Steel Piles HP12x84			Foot	992
Driving Piles			Foot	992
Test Pile			Each	1
Steel HP12x84				

PILE DATA

Type..... Steel HP12x84
 No. Req'd. (2 Piers)..... *32
 Factored Resistance Available (Rf)..... 164 Kips/Pile
 Nominal Required Bearing (Rn)..... 391 Kips/Pile (Pier 1)
 440 Kips/Pile (Pier 2)
 Est. Length..... 32 Ft/Pile

Notes: * Includes one test pile to be driven in permanent locations at the Pier 3.

The Steel H-Piles shall be according to AASHTO M270 Grade 50.

The test piles shall be driven to 110 percent of the Nominal Required Bearing indicated in the pile data information.

**PIERS 1 & 3
STRUCTURE NO. 074-3296**

DESIGNED - M.D.C.
CHECKED - S.M.S.
DRAWN - D.A.B.
CHECKED - M.G.B.

PC-1 10-1-08

HAMPTON, LENZINI & RENWICK, INC.
 CIVIL & STRUCTURAL ENGINEERS
 LAND SURVEYORS

HLR 3085 STEVENSON DRIVE, SUITE 201
 SPRINGFIELD, ILLINOIS 62703
 (217) 548-3400

PROJECT NUMBER: 12-76-0001-1 DATE: 12/22/08

T.R.	SECTION	COUNTY	TOTAL SHEETS	SHEET NO.
154	03-06130-00-BR	PIATT	57	30
SANGAMON ROAD DISTRICT		CONTRACT NO. 91385		
FED. ROAD DIST. NO.		ILLINOIS FED. AID PROJECT		

FOOTING PLAN