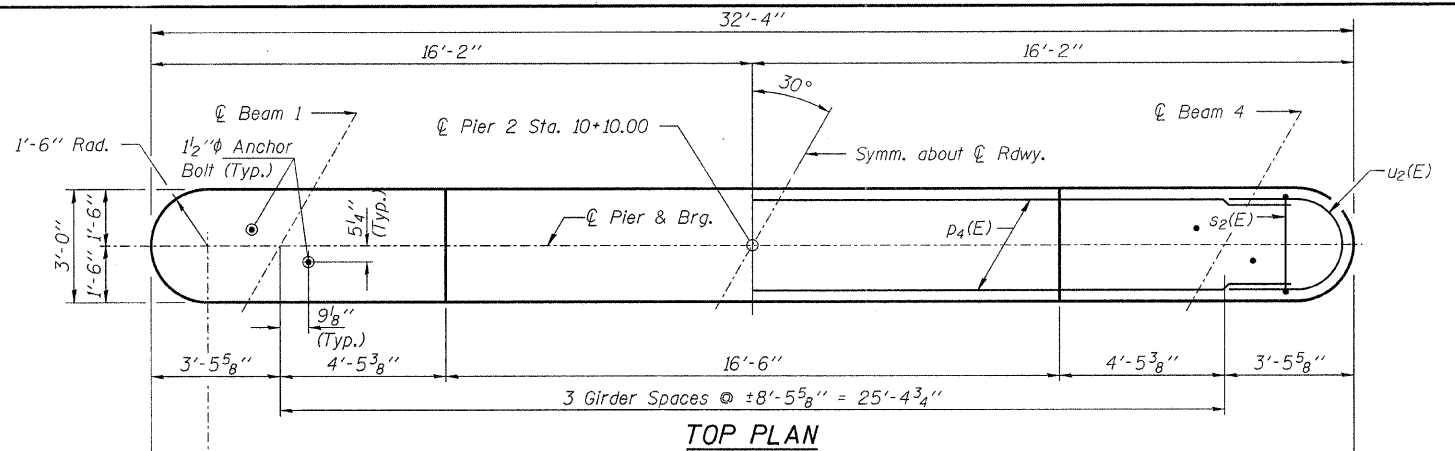
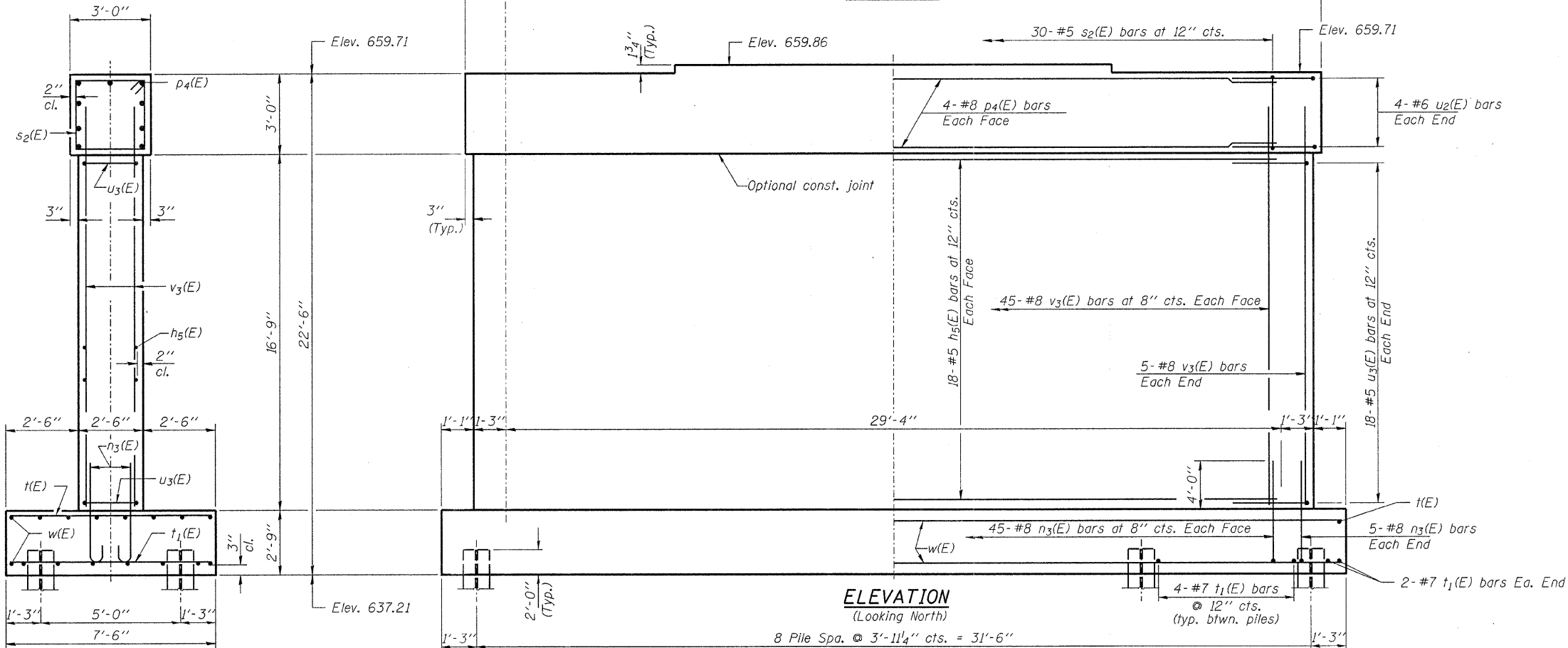


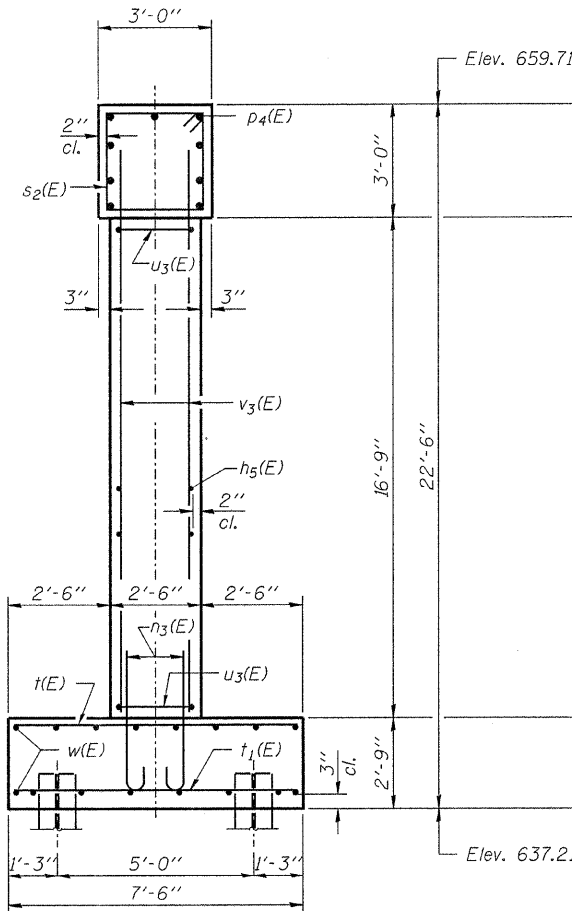
Notes:  
 Space reinforcement in cap to miss anchor bolts.  
 Pour steps monolithically with cap.  
 For details of piles, see sheet 32.



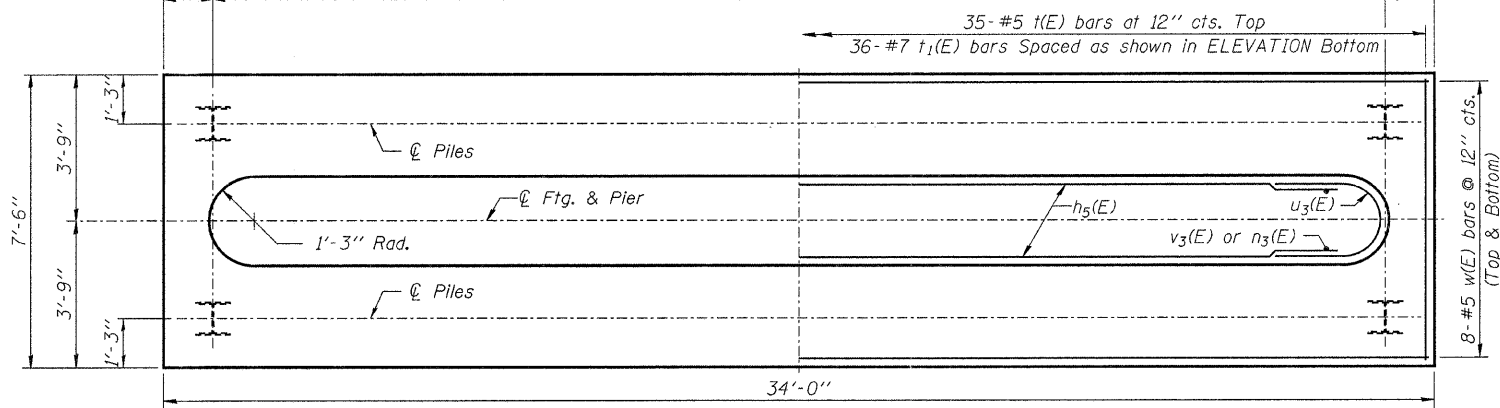
TOP PLAN



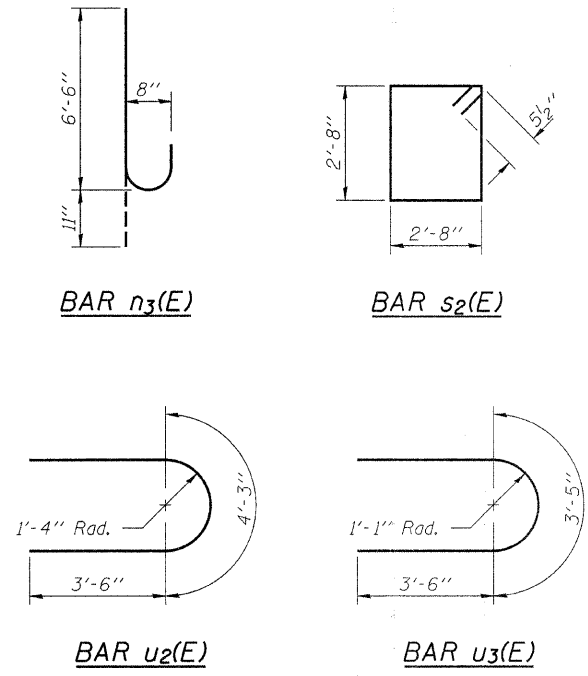
ELEVATION  
(Looking North)



END VIEW



FOOTING PLAN



BAR n3(E)

BAR s2(E)

BAR u2(E)

BAR u3(E)

BILL OF MATERIAL  
PIER 2

Bar	No.	Size	Length	Shape
h5(E)	36	#5	29'-0"	—
n3(E)	100	#8	7'-5"	U
p4(E)	9	#8	29'-0"	—
s2(E)	30	#5	11'-7"	□
t(E)	35	#5	7'-2"	—
t1(E)	36	#7	7'-2"	—
u2(E)	8	#6	11'-3"	U
u3(E)	36	#5	10'-5"	U
v3(E)	100	#8	19'-4"	—
w(E)	16	#5	33'-8"	—
Concrete Structures		Cu. Yd.	85.3	
Reinforcement Bars		Pound	11,170	
Epoxy Coated				
Furnishing Steel		Foot	612	
Piles HP12x84		Foot	612	
Driving Piles		Foot	612	

PILE DATA

Type Steel HP12x84  
 No. Req'd. (1 Pier) 18  
 Factored Resistance Available (Rf) 186 Kips/Pile  
 Nominal Required Bearing (Rn) 502 Kips/Pile  
 Est. Length 34 Ft/Pile

Notes: The Steel H-Piles shall be according to AASHTO M270 Grade 50.

PIER 2  
STRUCTURE NO. 074-3296

DESIGNED - M.D.C.
CHECKED - S.M.S.
DRAWN - D.A.B.
CHECKED - M.G.B.

PC-1 10-1-08

**HAMPTON, LENZINI & RENWICK, INC.**  
 CIVIL & STRUCTURAL ENGINEERS  
 LAND SURVEYORS  
 3085 STEVENSON DRIVE, SUITE 201  
 SPRINGFIELD, ILLINOIS 62703  
 (217) 548-3400  
 PROJECT NUMBER: 12-76-0001-1 DATE: 12/22/08

T.R.	SECTION	COUNTY	TOTAL SHEETS	SHEET NO.
154	03-06130-00-BR	PIATT	57	31
SANGAMON ROAD DISTRICT		CONTRACT NO. 91385		
FED. ROAD DIST. NO.	ILLINOIS	FED. AID PROJECT		