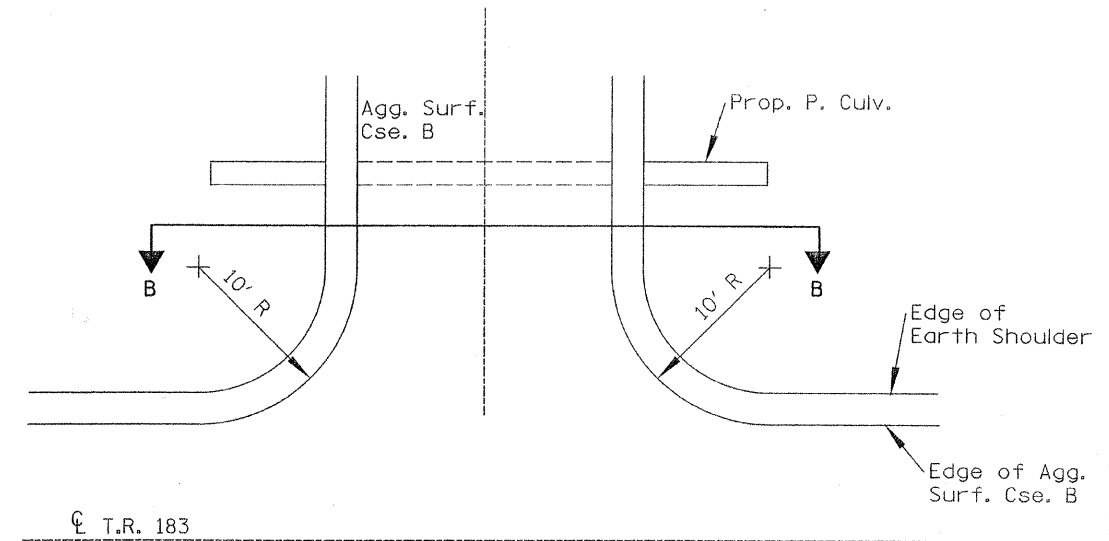
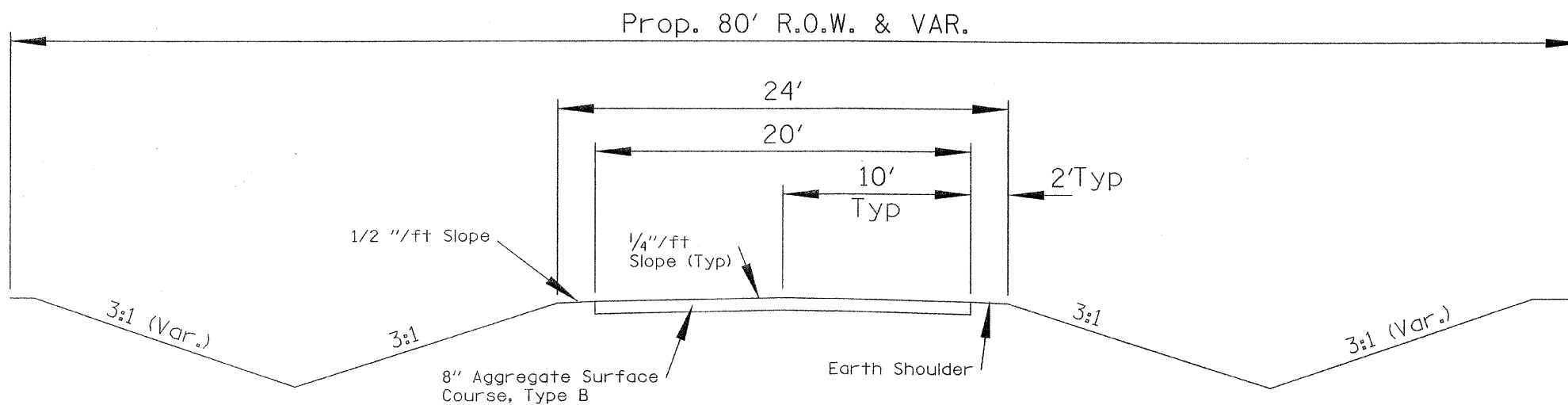


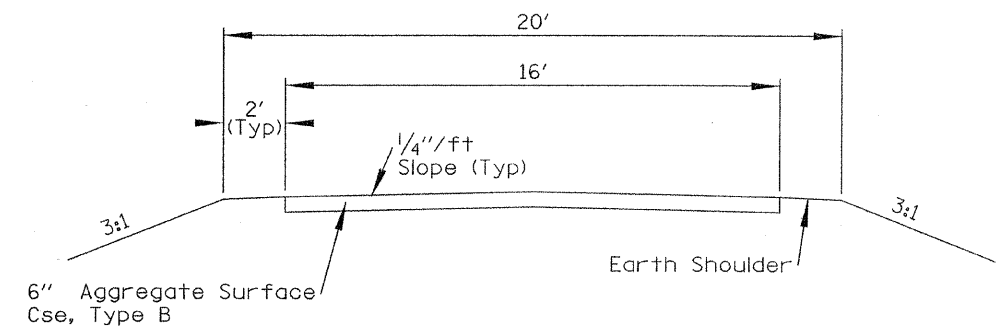
Existing Typical Section  
STA 23+50 TO STA 33+00



Proposed Field Entrance Detail



Proposed Typical Section  
STA 23+50 TO STA 33+00



Section B-B

SHELBY COUNTY  
ASH GROVE TOWNSHIP  
SECTION 06-01124-00-BR  
TYPICAL SECTIONS