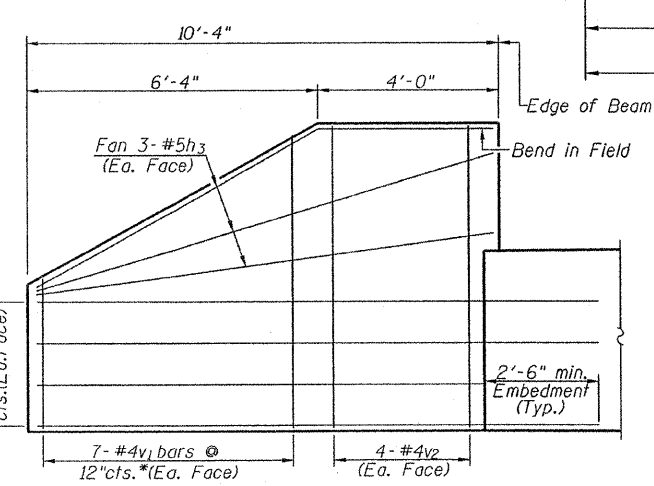
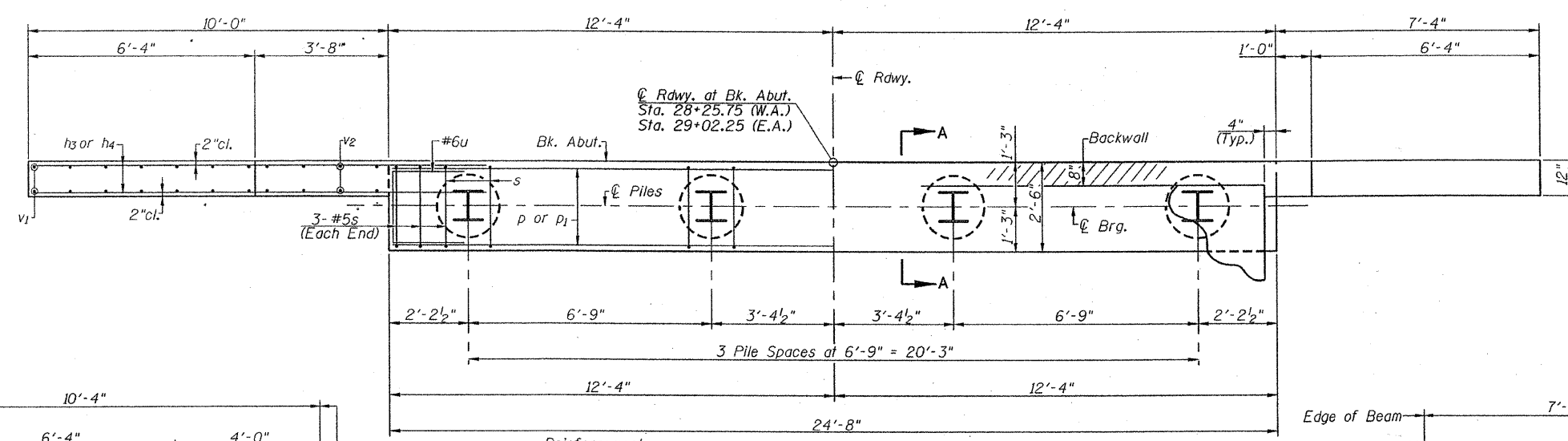
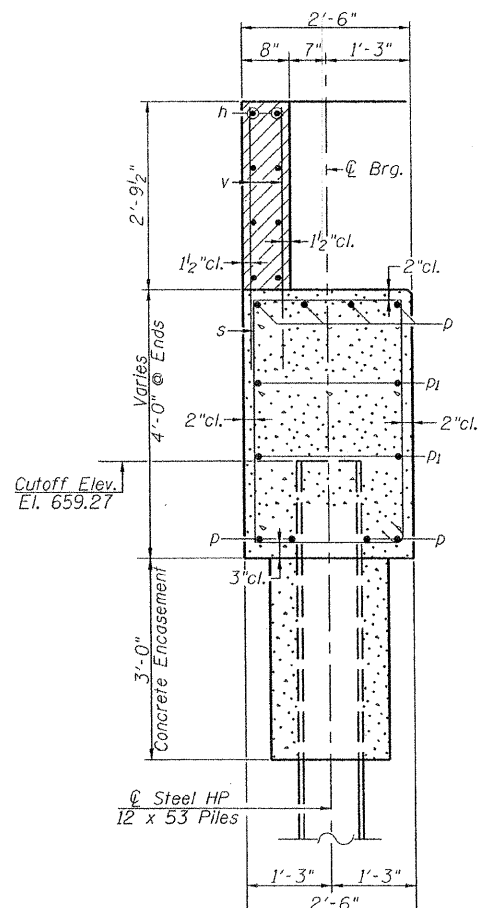


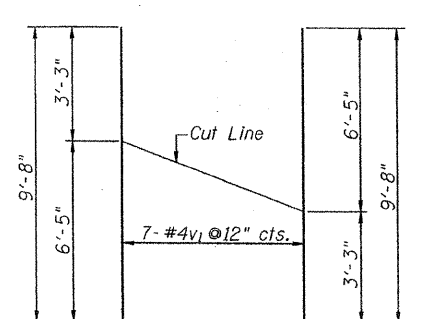
NOTES
 All exposed edges shall have standard 3/4" chamfer.
 Space reinforcement in cap to miss beam anchor dowels.
 Wingwalls and Backwalls may, at the contractor's option, be cast monolithically.
 Hatched area and wingwalls shall be poured after deck beams are anchored in place.
 The Steel H-Piles shall be according to AASHTO M270, Grade 50.
 The Test Pile shall be driven to 110 percent of the Nominal Required Bearing indicated in the pile data information.

PILE DATA

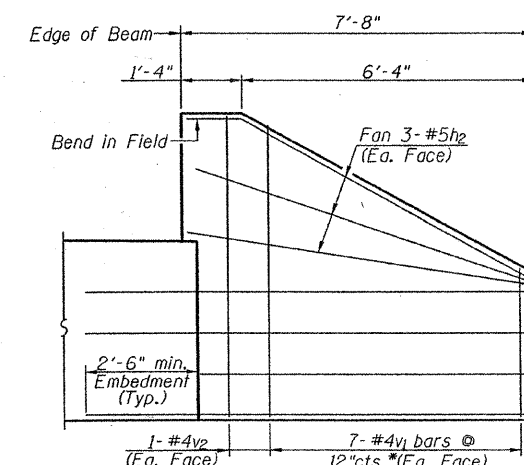
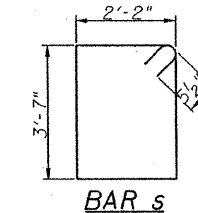
	W. Abut.	E. Abut.
Pile Type & Size:	Steel HP 12x53	Steel HP 12x53
Nominal Required Bearing:	418 Kips	418 Kips
Factored Resistance Available:	209 Kips	209 Kips
Estimated Pile Length:	52'	60'
Number of Production:	3	3
Number of Test Piles:	1	1



APPROACH WINGWALL ELEVATION
 (Showing Reinforcement)
 * See v1-bar cut diagram



v1-BAR CUT DIAGRAM
 Order v1 bars full length; Layout in field according to diagram. Cut v1 bars along cut line. Use remainder of each bar in opposite face.



WINGWALL ELEVATION
 * See v1-bar cut diagram

**TWO ABUTMENTS
 BILL OF MATERIAL**

BAR	NO.	SIZE	LENGTH	SHAPE
h	16	#4	29'-0"	—
h1	16	#6	10'-0"	—
h2	12	#5	7'-4"	—
h3	12	#5	10'-0"	—
h4	16	#6	12'-8"	—
p	16	#8	24'-4"	—
p1	8	#5	24'-4"	—
s	54	#5	12'-5"	□
u	16	#6	10'-1"	□
v	100	#4	4'-3"	—
v1	28	#4	9'-8"	—
v2	20	#4	6'-6"	—
Concrete Structures				Cu. Yd. 29.3
Reinforcement Bars				Pound 3810
Furnishing Steel Piles HP 12x53				Foot 336
Driving Piles				Foot 336
Test Pile Steel HP 12x53				Each 2
Concrete Encasement				Cu. Yd. 2.8
Structure Excavation				Cu. Yd. 96