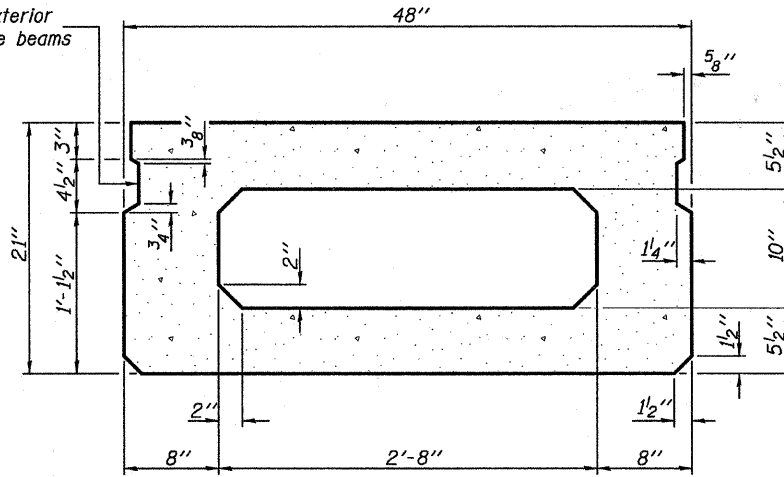
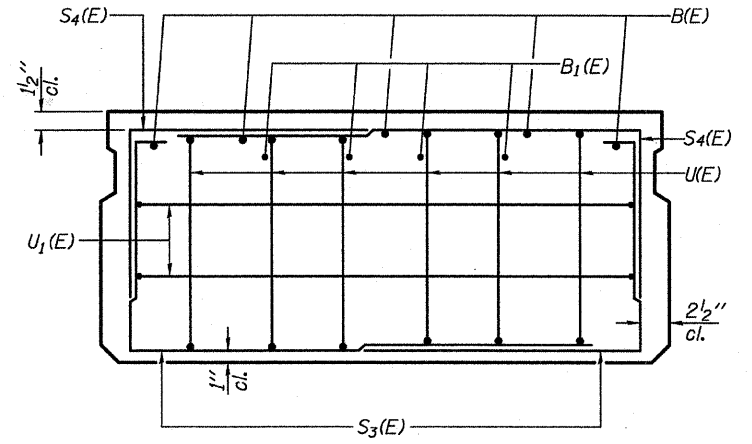


**SECTION C-C**

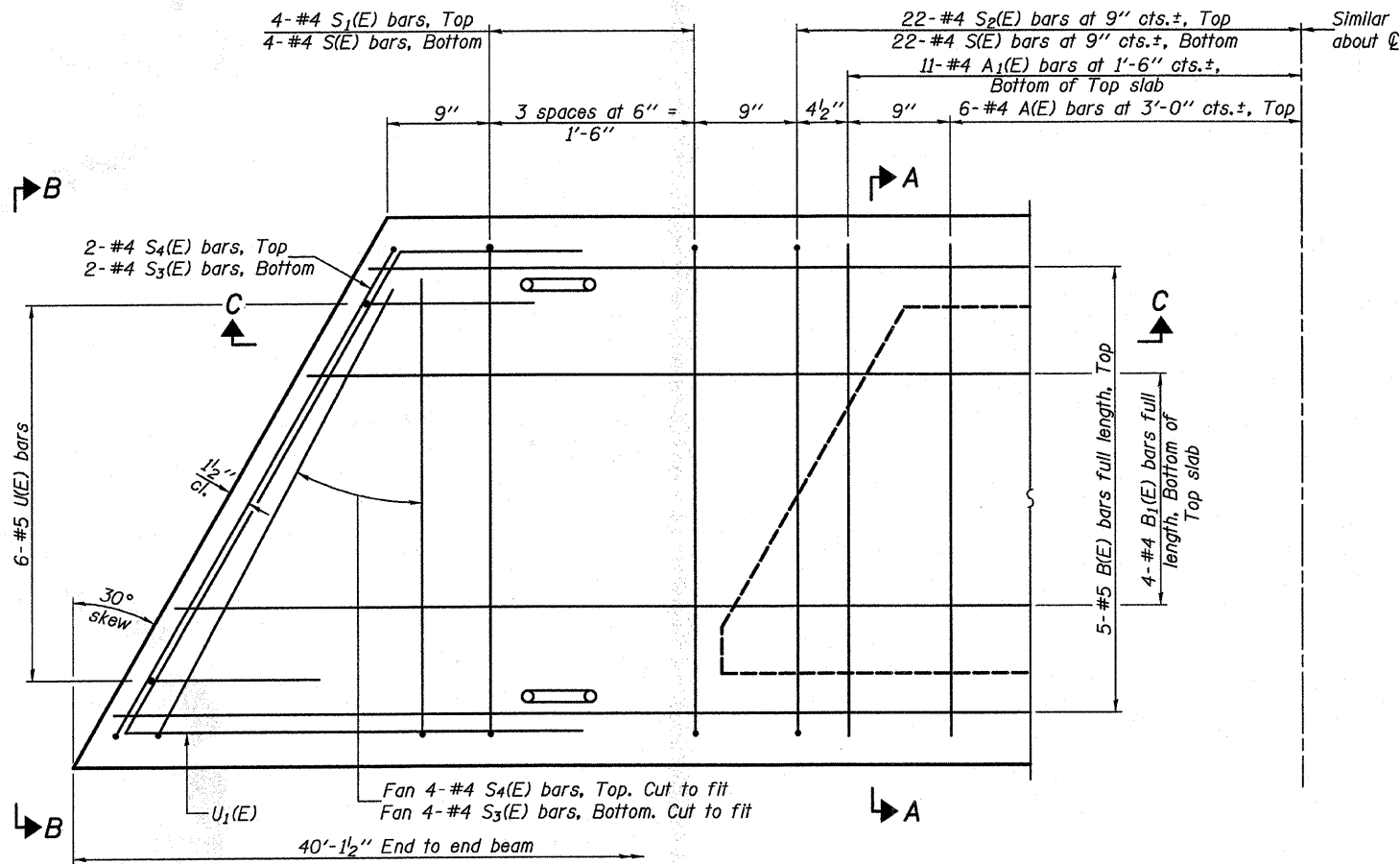
Omit key on exterior face of outside beams



**SECTION A-A**  
(Showing dimensions)

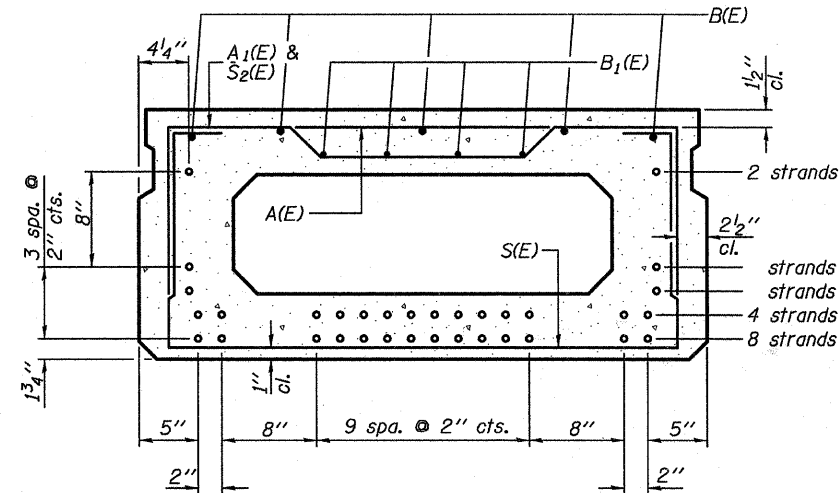


**VIEW B-B**



**PLAN VIEW**

Note: Spacing of S(E) and S2(E) bars may be adjusted up to 4 inches in the immediate area of the transverse tie diaphragms to miss the block outs for the transverse ties.



**SECTION A-A**

(Showing reinforcement and permissible strand locations)

Note: Place the number of strands specified in each row symmetrically about the centerline of beam in the permissible strand locations shown.

**BAR LIST**  
**ONE BEAM ONLY**  
(For information only)

Bar	No.	Size	Length	Shape
A(E)	12	#4	3'-7"	—
A1(E)	22	#4	3'-10"	—
B(E)	5	#5	39'-10"	—
B1(E)	4	#4	39'-10"	—
S(E)	52	#4	7'-5"	⌈
S1(E)	8	#4	5'-11"	⌈
S2(E)	44	#4	6'-2"	⌈
S3(E)	12	#4	5'-11"	⌈
S4(E)	12	#4	5'-2"	⌈
U(E)	12	#5	4'-0"	⌈
U1(E)	4	#4	8'-7"	⌈

Note: See sheet 5 of 10 for additional details and Bill of Material.

DESIGNED	K.M.M.
CHECKED	L.D.G.
DRAWN	K.H.L.
CHECKED	B.G.H.

PD-2148-L

10-1-08

**21" X 48" PPC DECK BEAM**  
**SPANS 1 & 3**

SHEET NO. 3	T.R.	SECTION	COUNTY	TOTAL SHEETS	SHEET NO.
	137	03-10115-00-BR	CLINTON	15	6
10 SHEETS	S.N. 014-4055		CONTRACT NO. 97374		
	FED. ROAD DIST. NO.	ILLINOIS	FED. AID PROJECT		