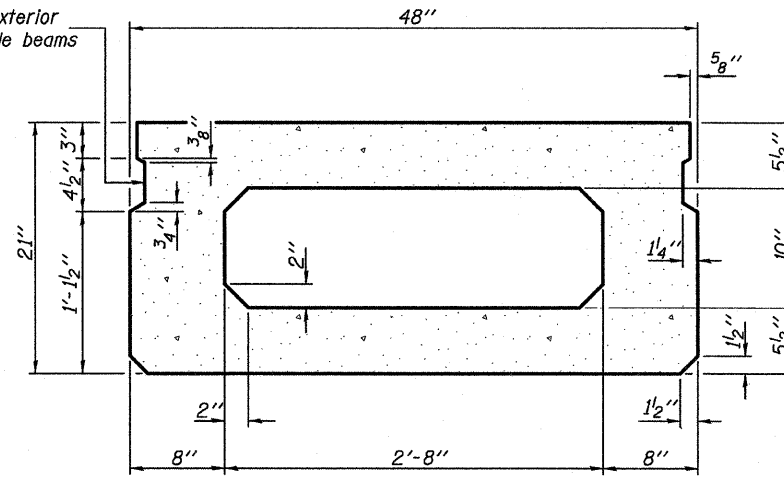
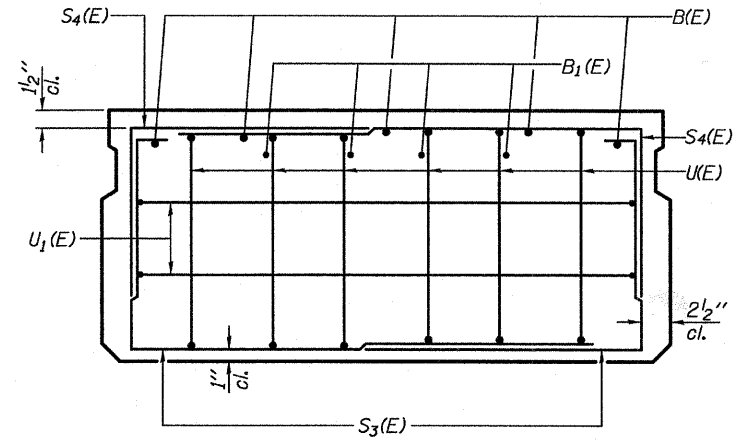


SECTION C-C

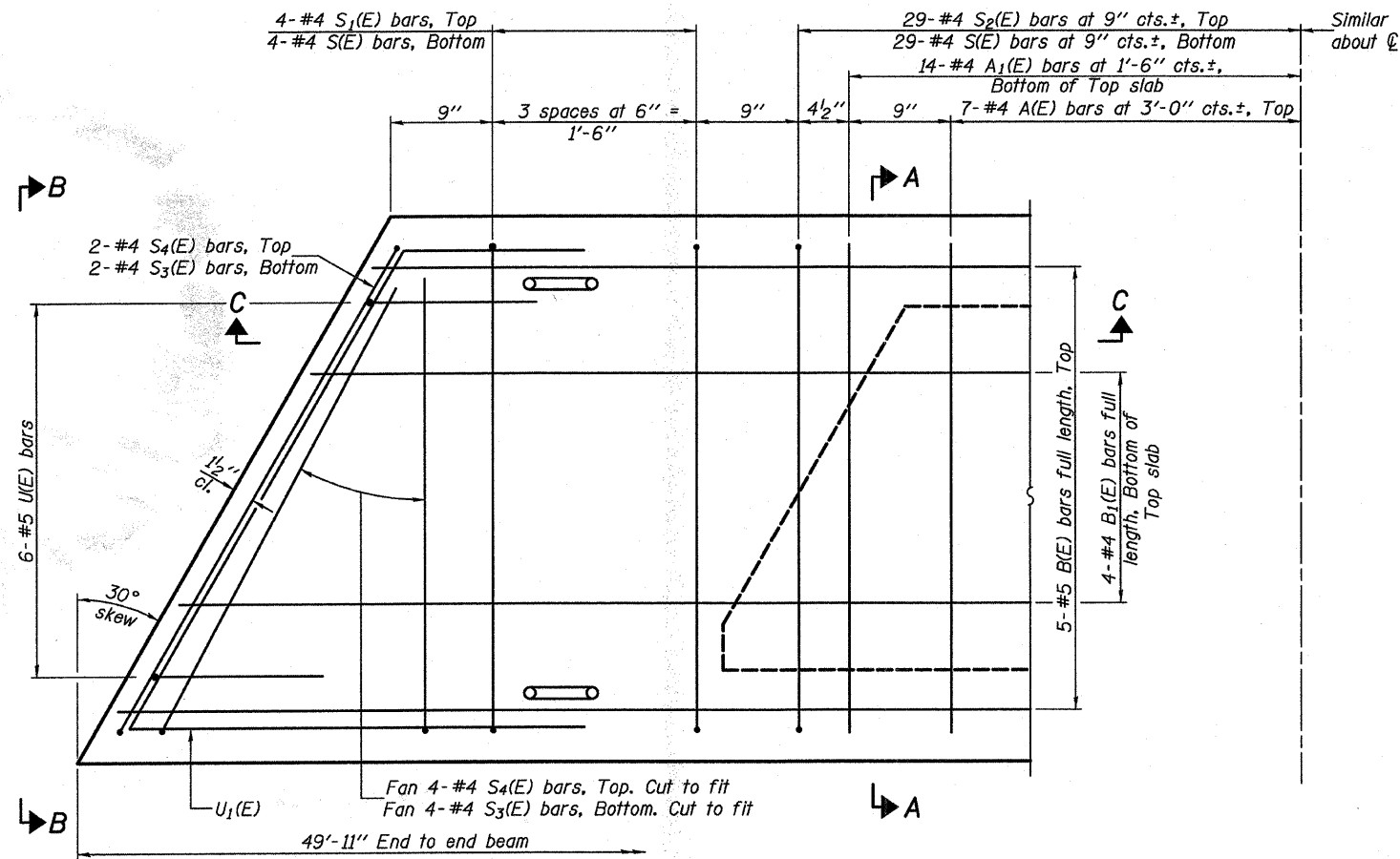
Omit key on exterior face of outside beams



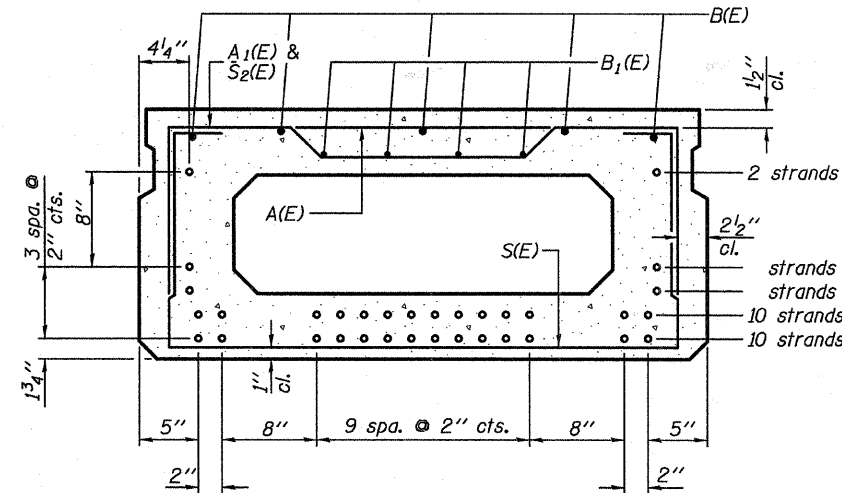
SECTION A-A
(Showing dimensions)



VIEW B-B



PLAN VIEW



SECTION A-A
(Showing reinforcement and permissible strand locations)
Note: Place the number of strands specified in each row symmetrically about the centerline of beam in the permissible strand locations shown.

BAR LIST
ONE BEAM ONLY
(For information only)

Bar	No.	Size	Length	Shape
A(E)	14	#4	3'-7"	—
A1(E)	28	#4	3'-10"	—
B(E)	5	#5	49'-8"	—
B1(E)	4	#4	49'-8"	—
S(E)	66	#4	7'-5"	□
S1(E)	8	#4	5'-11"	□
S2(E)	58	#4	6'-2"	□
S3(E)	12	#4	5'-11"	□
S4(E)	12	#4	5'-2"	□
U(E)	12	#5	4'-0"	□
U1(E)	4	#4	8'-7"	□

Note: See sheet 5 of 10 for additional details and Bill of Material.

Note: Spacing of S(E) and S2(E) bars may be adjusted up to 4" in the immediate area of the transverse tie diaphragms to miss the block outs for the transverse ties.

DESIGNED	K.M.M.
CHECKED	L.D.G.
DRAWN	K.H.L.
CHECKED	B.G.H.

PD-2148-L

10-1-08

21" X 48" PPC DECK BEAM
SPAN 2

SHEET NO. 4 10 SHEETS	T.R.	SECTION	COUNTY	TOTAL SHEETS	SHEET NO.
	137	03-10115-00-BR	CLINTON	15	7
S.N. 014-4055			CONTRACT NO. 97374		
FED. ROAD DIST. NO.		ILLINOIS	FED. AID PROJECT		