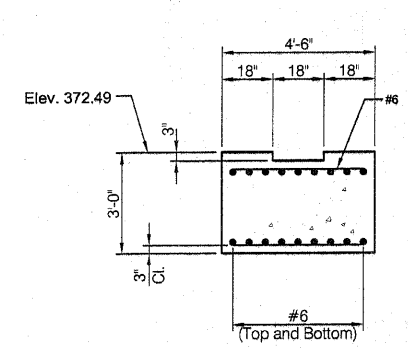
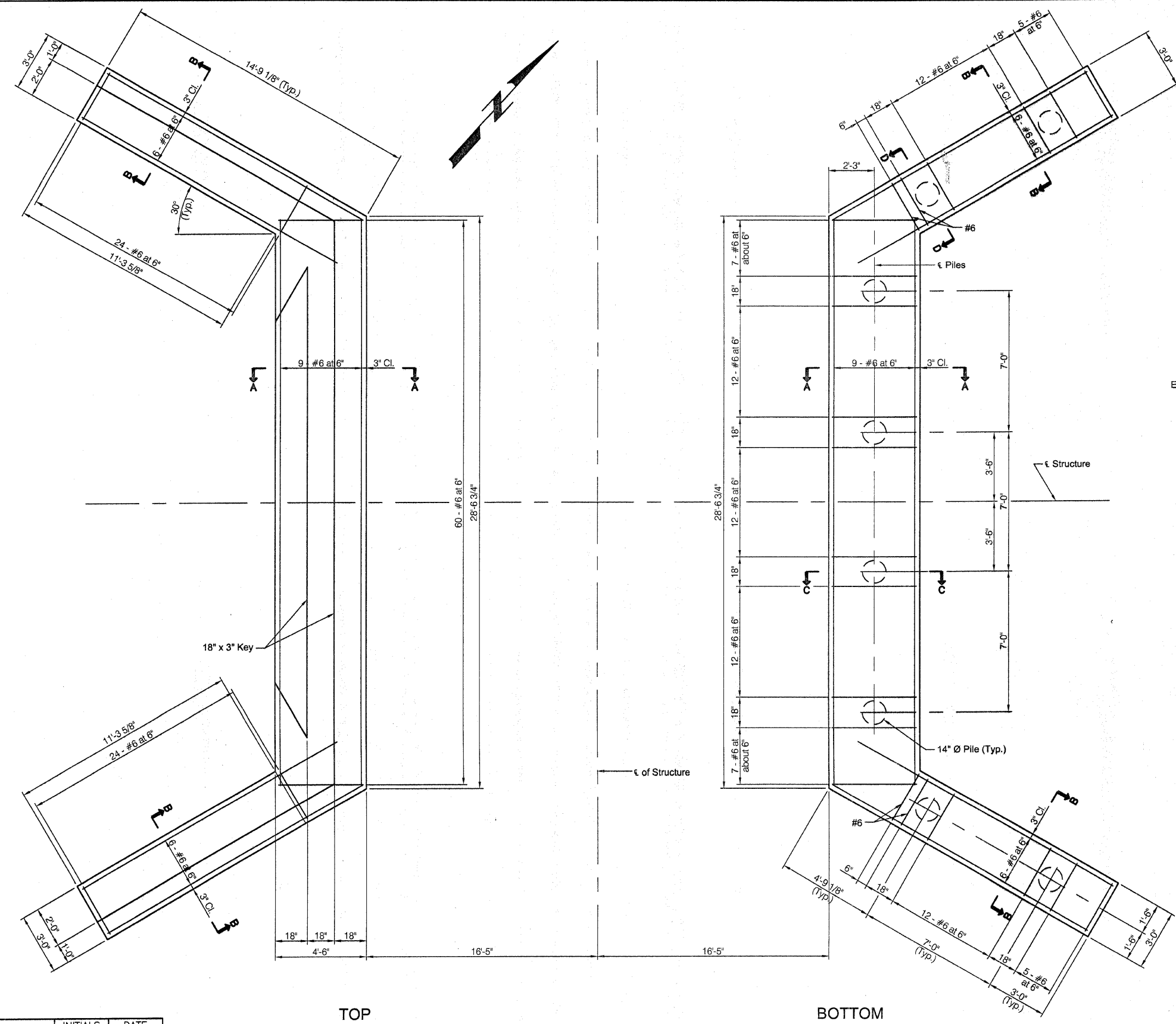
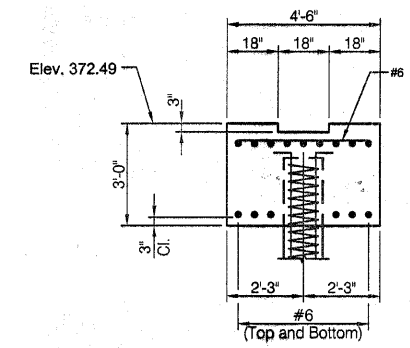


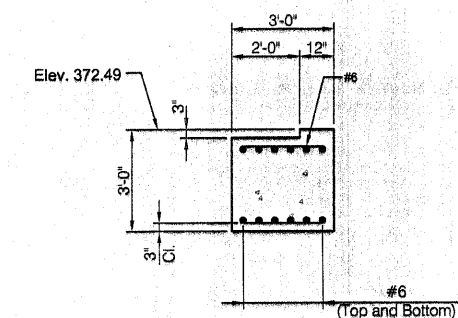
* 163(034)
** 97377



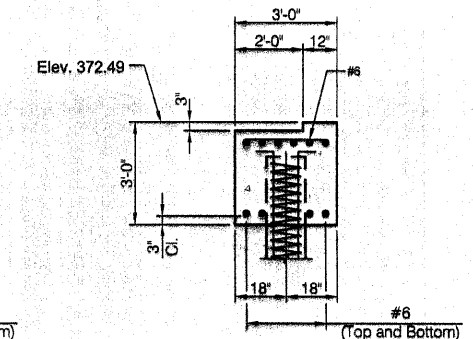
SECTION A-A



SECTION C-C



SECTION B-B



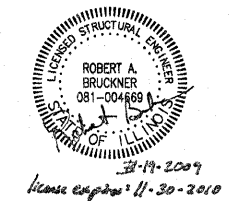
SECTION D-D

TOP

BOTTOM

TYPICAL FOOTING PLAN

	INITIALS	DATE
DESIGNED		
CHECKED		
DRAWN	JMU	06/09/2008
CHECKED		



BRIDGE OVER DRY LAKE SOUGH
FOOTING PLAN AND DETAILS
SAINT CLAIR COUNTY