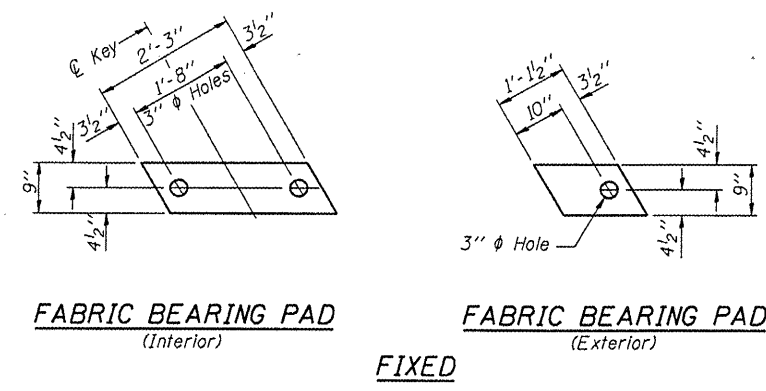


Operator

Date: 11/02/08

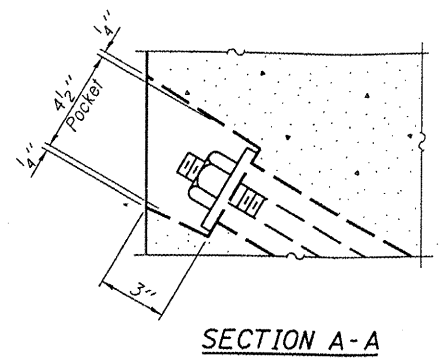
File name: L:\V\DOT\BBS\9858 BBS\Various\Various\9858.DWG CAD. Struct\Weight 94-01166-00-BR.dwg

ROUTE	SECTION	COUNTY	TOTAL SHEETS	SHEET NO.
TR 95	94-01166-00-BR	PULASKI	13	6
PROJECT NO. BROS-153(30)			CONTRACT NO. 99327	

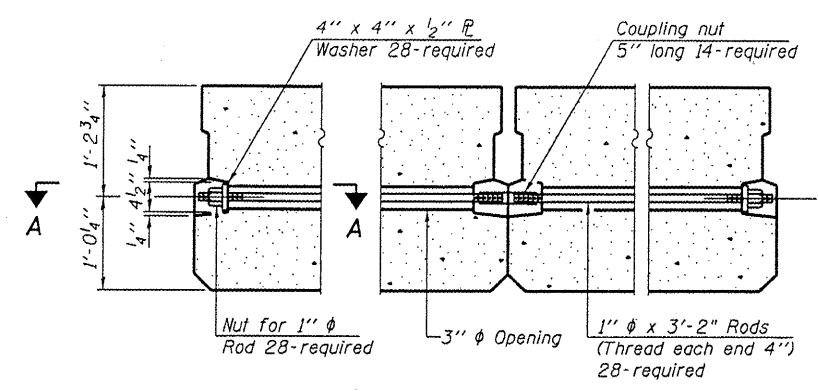


FABRIC BEARING PAD
(Interior) **FIXED**

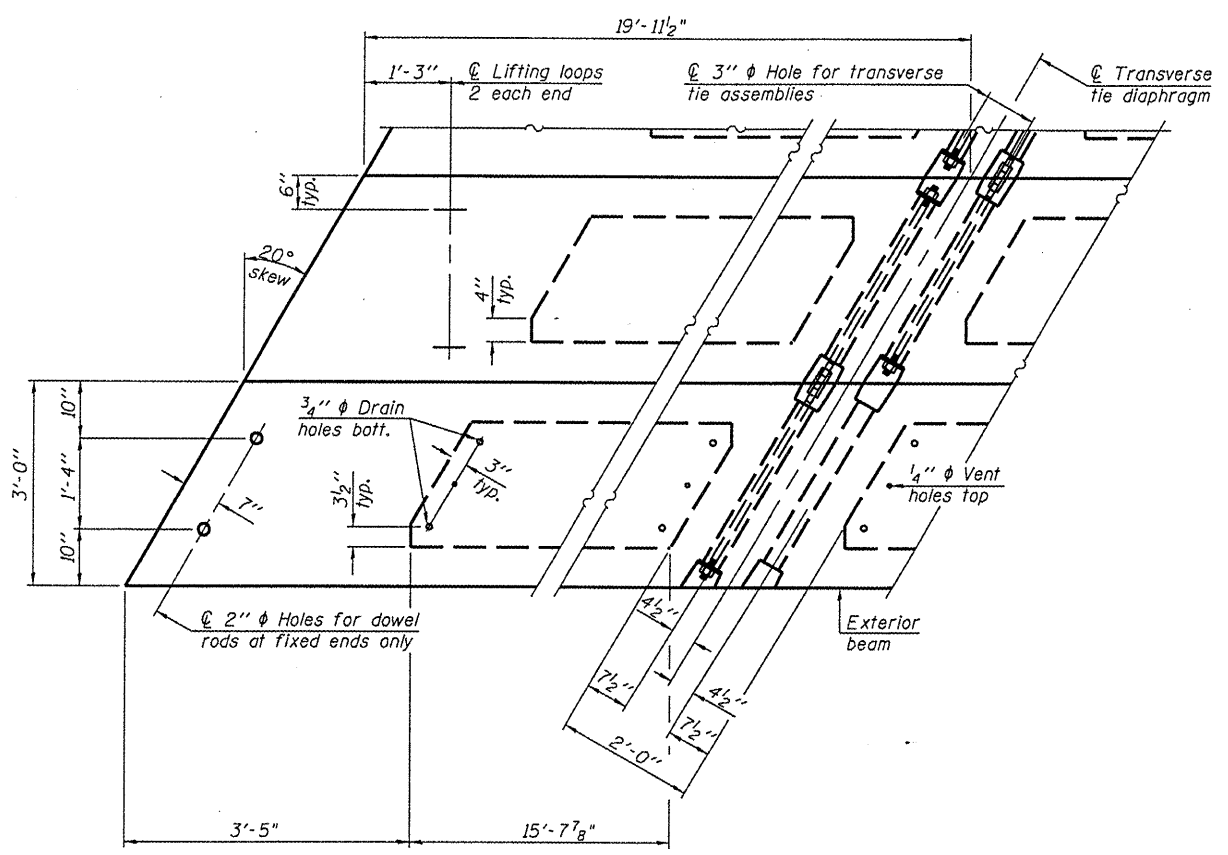
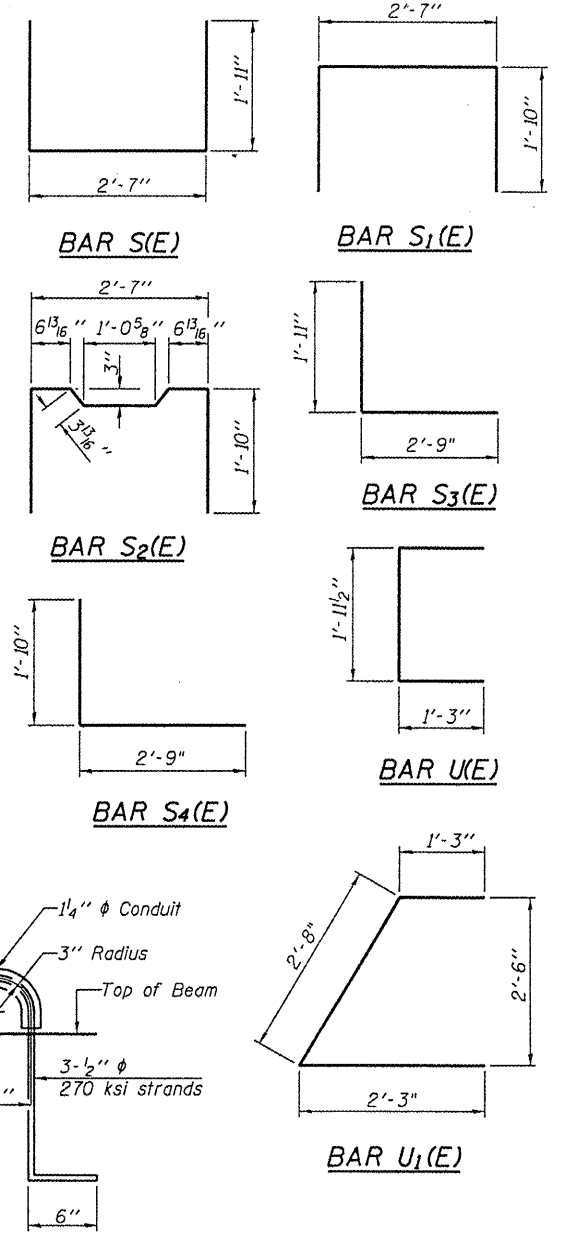
FABRIC BEARING PAD
(Exterior)



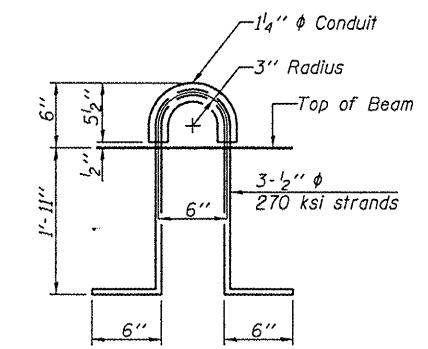
SECTION A-A



TYPICAL TRANSVERSE TIE ASSEMBLY



PLAN VIEW



LIFTING LOOP DETAIL

Note: Connect beams in pairs with the transverse tie configuration shown.

NOTES

Pressing steel shall be uncoated high strength, low relaxation 7-wire strand, Grade 270. The nominal diameter shall be 1/2" and the nominal cross-sectional area shall be 0.153 sq. in. The 1" rods in the transverse tie assembly shall be tightened to a snug fit and the threads set. Pockets on exterior faces of bridge shall be filled with grout after transverse tie assembly is in place.

Reinforcement bars shall conform to ASTM A 706 (IL MOD), Grade 60. (See Special Provisions) Two 1/8" fabric adjusting shims of the dimensions of the exterior bearing pad shall be provided for each bearing pad location.

A minimum 2 1/2" lifting pin shall be used to engage the lifting loops during handling.

Corrosion Inhibitor, per Article 1020.05(b)(12) and 1021.06 of the Standard Specifications, shall be used in the concrete for precast prestressed concrete deck beams.

Compressive strength of prestressed concrete, f'c, shall be 6000 psi.

Compressive strength of prestressed concrete at release, f'ci, shall be 5000 psi.

BILL OF MATERIAL

Precast Prestressed Conc. Deck Bms. (27" depth)	Sq. Ft.	1,440
---	---------	-------

PPC DECK BEAM DETAILS (27" X 3'-0")
TOWNSHIP ROUTE 95 OVER
PULASKI SLOUGH
SECTION 94-01166-00-BR
PULASKI COUNTY
STA. 15+00

DESIGNED	SDS
CHECKED	CWC
DRAWN	DLH
CHECKED	SDS
PD-2736-LD	

WHKS & CO.
 ENGINEERS PLANNERS LAND SURVEYORS
 MASON CITY, IOWA DUBUQUE, IOWA AMES, IOWA
 E. DUBUQUE, ILLINOIS SPRINGFIELD, ILLINOIS ROCHESTER, MINNESOTA

8-29-07