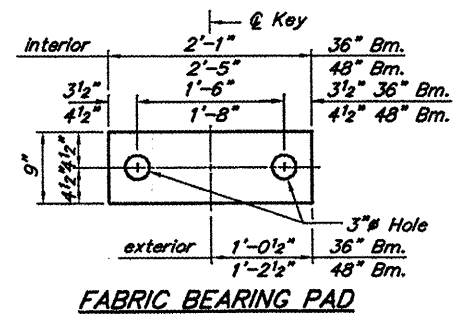
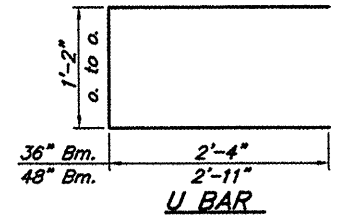
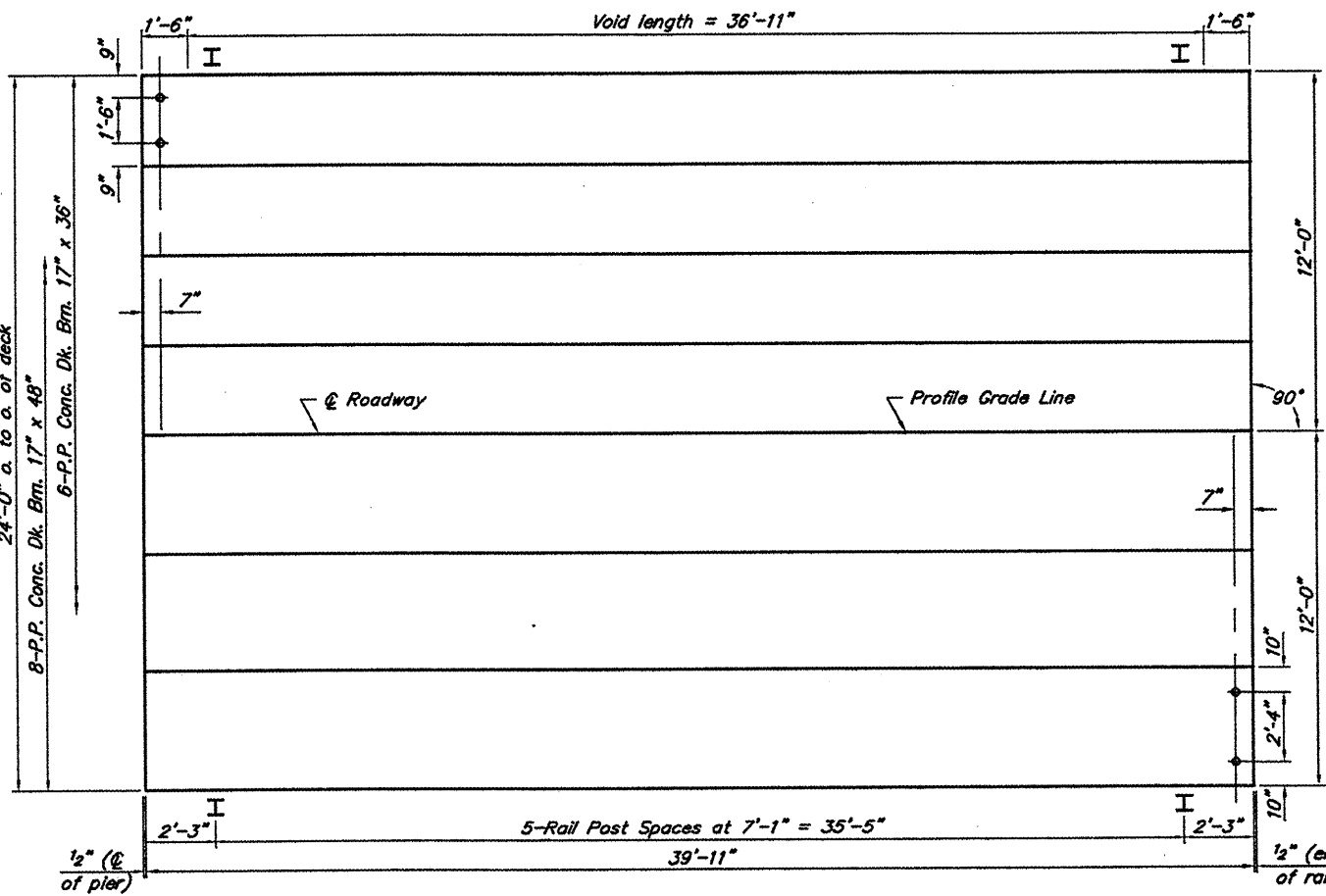
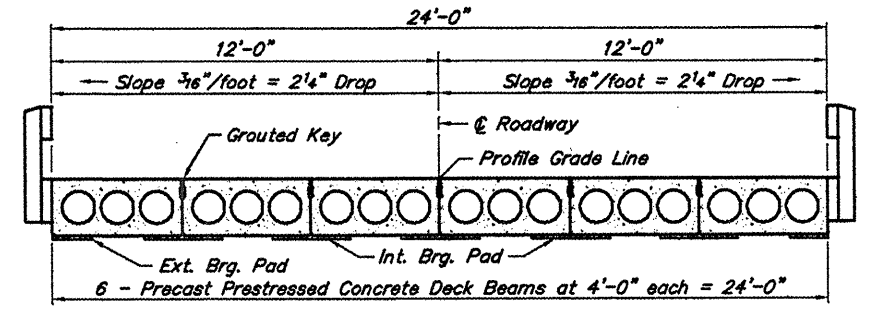
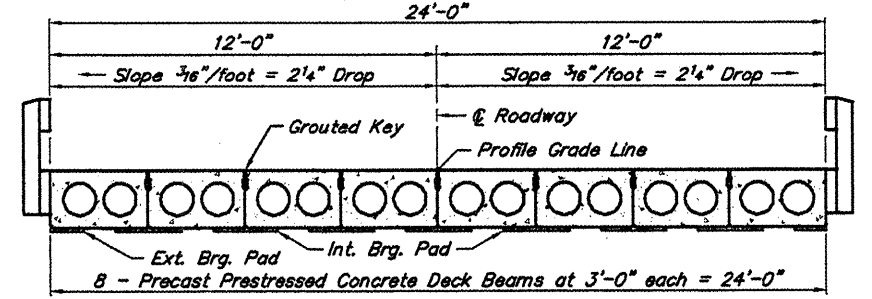
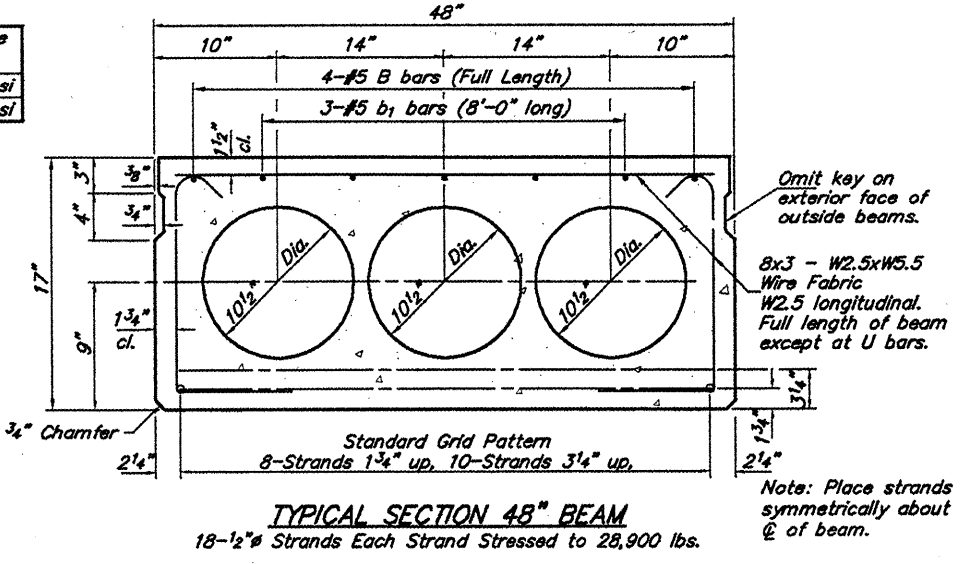
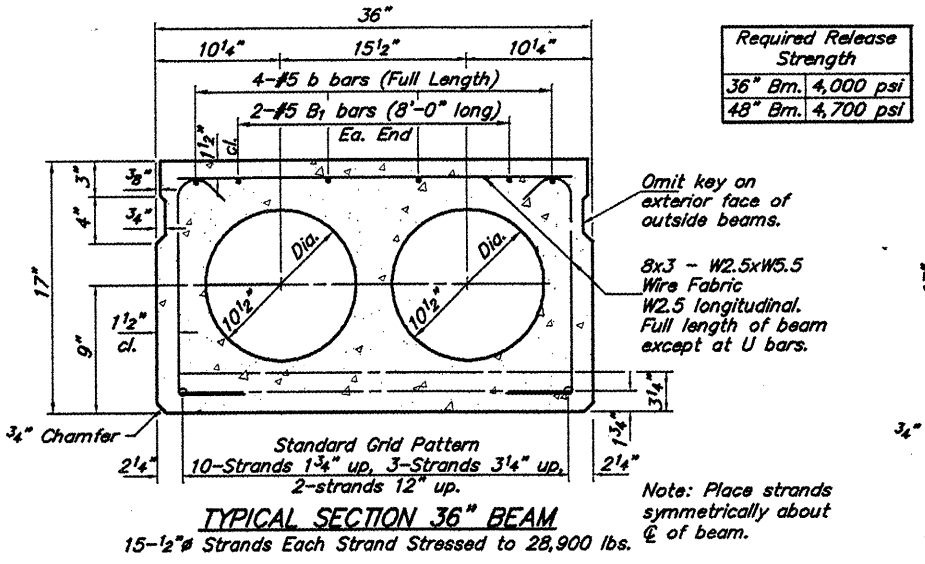


ROUTE	SECTION	COUNTY	TOTAL SHEETS	SHEET NO.
TR 80	00-01198-00-BR	MASSAC	13	6
PROJECT NO. BROS-127(19)			CONTRACT NO. 99354	



**NOTES**

Reinforcement bars shall conform to AASHTO M-31, M-42 or M-53, Grade 60. Prestressing steel shall be uncoated high strength, stress-relieved 7-wire strand, Grade 270. The nominal diameter shall be 1/2" and the nominal cross-sectional area shall be 0.153 sq. in. An equal substitution of the low-relaxation strands for the stress-relieved strands will be permitted.

Lifting loops shall be 5/8" diameter, 6x25 class wire rope with fiber core and shall have a minimum ultimate tensile strength of 33,000 lbs. or 2-1/2 #270 ksi strands, as shown.

Keyway surfaces shall be cleaned to remove form oil or other bond breaking material prior to shipment of the beams. Cleaning shall be done by sandblasting the keyway areas between the top of the beam and the bottom edge of the key.

The bearing seat surfaces shall be adjusted by shimming to assure firm and even bearing. Two 1/2" fabric adjusting shims of the dimensions of the Exterior Bearing Pad shall be provided for each bearing.

After beams have been erected, holes shall be drilled into substructure and anchor dowels placed. Dowel holes shall be filled with non-shrink grout to top of beam and allowed to cure a minimum of 24 hours prior to grouting the shear keys.

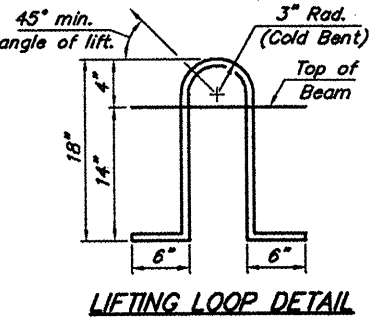
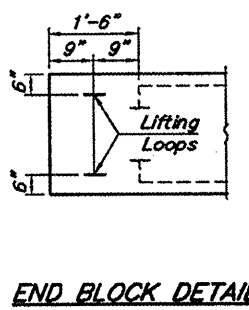
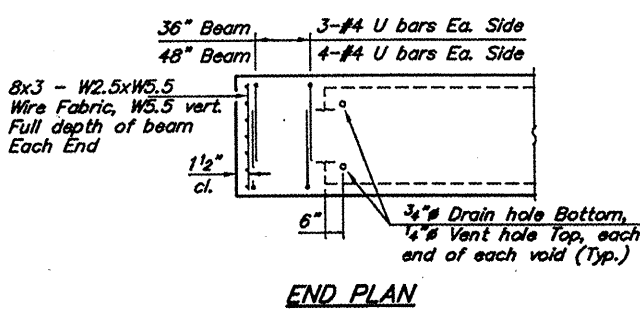
Nominal 1" joint at @ Pier shall be filled with non-shrink grout.

Rail Post Anchor Devices shall be cast into exterior face of outside beams as elsewhere specified.

The 1" rods in the transverse tie assembly shall be tightened to a snug fit and the threads set. Pockets that receive transverse tie bar on outside shall be filled with grout after transverse tie assembly is in place.

**QUANTITIES FOR SPAN 3**

P.P. Conc. Dk. Bm. 17" Dp.	958 Sq. Ft.
Steel Railing, Type S1	80 Ft.



**SUPERSTRUCTURE - SPAN 3**  
 CN/IC RAILROAD  
 SECTION 00-01198-00-BR  
 MASSAC COUNTY