

CODE NO.	ITEM	UNIT	TOTAL QUANTITY	CONSTRUCTION CODE	
				90% FED 10% STATE URBAN	EXPERIMENTAL FEATURE
				ROADWAY 0005	FOG SEAL 0005
40600275	BITUMINOUS MATERIALS (PRIME COAT)	POUND	27065	27065	
<del>40600285</del>	<del>POLYMERIZED BITUMINOUS MATERIALS (PRIME COAT)</del>	<del>POUND</del>	<del>18650</del>	<del>18650</del>	
40600990	TEMPORARY RAMP	SQ YD	247	247	
40603100	HOT-MIX ASPHALT BINDER COURSE, 1L-19.0L, N30	TON	25	25	
40603153	POLYMERIZED HOT-MIX ASPHALT SURFACE COURSE, STONE MATRIX ASPHALT, N80	TON	9028	9028	
40603305	HOT-MIX ASPHALT SURFACE COURSE, MIX "C", N30	TON	22	22	
44000165	HOT-MIX ASPHALT SURFACE REMOVAL, 4"	SQ YD	33516	33516	
44000166	HOT-MIX ASPHALT SURFACE REMOVAL, 4 1/4"	SQ YD	6578	6578	
<del>44201765</del>	<del>CLASS D PATCHES, TYPE I, 10 INCH</del>	<del>SQ YD</del>	<del>124</del>	<del>124</del>	
<b>44201815</b>	<b>CLASS D PATCHES, TYPE II, 14 INCH</b>	<b>SQ YD</b>	<b>124</b>	<b>124</b>	
<del>44201769</del>	<del>CLASS D PATCHES, TYPE III, 10 INCH</del>	<del>SQ YD</del>	<del>19</del>	<del>19</del>	
<b>44201819</b>	<b>CLASS D PATCHES, TYPE III, 14 INCH</b>	<b>SQ YD</b>	<b>19</b>	<b>19</b>	
63500105	DELINEATORS	EACH	46	46	
64200116	SHOULDER RUMBLE STRIPS, 16 INCH	FOOT	3727	3727	
67000400	ENGINEER'S FIELD OFFICE, TYPE A	CAL MO	4	4	
67100100	MOBILIZATION	L SUM	1	1	



⚠️ REVISED 6-1-15

CODE NO.	ITEM	UNIT	90% FED 10% STATE URBAN TOTAL QUANTITY	CONSTRUCTION CODE	
				ROADWAY 0005	EXPERIMENTAL FEATURE FOG SEAL 0005
70103815	TRAFFIC CONTROL SURVEILLANCE	CAL DA	80	80	
70106800	CHANGEABLE MESSAGE SIGN	CAL MO	18	18	
70200100	NIGHTTIME WORK ZONE LIGHTING	L SUM	1	1	
70300100	SHORT TERM PAVEMENT MARKING	FOOT	2474	2474	
* 78001100	PAINT PAVEMENT MARKING - LETTERS AND SYMBOLS	50 FT	46	46	
* 78004210	PREFORMED PLASTIC PAVEMENT MARKING, TYPE B - INLAID - LINE 4"	FOOT	31423	31423	
* 78004240	PREFORMED PLASTIC PAVEMENT MARKING, TYPE B - INLAID - LINE 8"	FOOT	3147	3147	
* 78100100	RAISED REFLECTIVE PAVEMENT MARKER	EACH	398	398	
78300200	RAISED REFLECTIVE PAVEMENT MARKER REMOVAL	EACH	369	369	
X7010216	TRAFFIC CONTROL AND PROTECTION, (SPECIAL)	L SUM	1	1	
X7010410	SPEED DISPLAY TRAILER	CAL MO	6	6	
Z0034105	MATERIAL TRANSFER DEVICE	TON	9028	9028	
X0500001	POLYMERIZED BITUMINOUS MATERIALS (FOG SEAL)	POUND	18650		18650
φ Z0076600	TRAINEES	HOURL	1000	1000	
φ Z0076604	TRAINEES TRAINING PROGRAM GRADUATE	HOURL	1000	1000	



Handwritten circled numbers: 31423 and 3147 in the ROADWAY and FOG SEAL columns for items 78004210 and 78004240.

⚠ REVISIED 6-1-15

FILE NAME =	USER NAME = ovanbj	DESIGNED -	REVISED -	<b>STATE OF ILLINOIS DEPARTMENT OF TRANSPORTATION</b>	<b>SUMMARY OF QUANTITIES</b>				F.A.I. RTE.	SECTION	COUNTY	TOTAL SHEETS	SHEET NO.
o:\p\work\p\idat\ovanbj\d0378716\76698	00.dgn	DRAWN -	REVISED -		270	60-IRS-3	MADISON	19	4				
	PLOT SCALE = 100.0000 1/16"	CHECKED -	REVISED -		SCALE: SHEET OF 2 SHEETS STA. TO STA.				CONTRACT NO. 76698				
MODELNAME#	PLOT DATE = 3/18/2015	DATE -	REVISED -		ILLINOIS FED. AID PROJECT								

RESURFACING SCHEDULE									
STATION	TO	STATION	OFFSET	BIT MATLS PR CT (POUND)	POLY HMA SC SMA N80		NMA BC N30 IL-19.0L (TON)	HMA SC N30 MIX "C" IL-9.5L (TON)	TEMPORARY RAMP (SQ YD)
					FIRST LIFT (TON)	SECOND LIFT (TON)			
FAI 270 EB									
121+08		158+00	12' LT-12' RT	6,687	1,110	1,110			53
234+32		255+08	12' LT-12' RT	3,725	618	618			53
234+32		237+19	12' RT-55' RT	470	78	78			13
237+19		240+16	12' RT-20' RT	104	17	17			
243+30		253+09	12' RT-43' RT	932	155	155			
FAI 270 WB									
120+67		158+00	12' LT-12' RT	6,679	1,108	1,108			53
234+52		255+20	12' LT-12' RT	3,732	619	619			53
234+52		238+30	12' LT-45' LT	297	49	49			20
SE LOOP									
1+98		14+00	0' RT-16' LT	1,484	277	248			
NE LOOP									
2+29		9+70	0' RT-16' LT	925	173	154			
2+29		6+32	16' LT-20' LT	133			25	22	
SE RAMP									
109+25		17+78	0' RT-16' LT	1,026	192	170			
IL-RTE 3									
1355+96		1363+15	12' LT-55' LT	873	163	145			
SUBTOTAL				27,065	4,559	4,469	25	22	247
TOTAL				27,065	9,028		25	22	247

PAVEMENT MARKING SCHEDULE									
STATION	TO	STATION	TYPE	PREFORMED PLASTIC, TYPE B, INLAID			SHORT TERM PAVEMENT MARKING (FT)	RAISED REF PVMT MARKER ONE WAY EACH	
				4" STRIPE		8" STRIPE			
				WHITE (FT)	YELLOW (FT)	WHITE (FT)			
FAI 270 EB									
120+67		158+00	SKIP DASH SINGLE SOLID	840	3,768		877	94	
234+32		255+08	SKIP DASH SINGLE SOLID	520 2,022	2,073	54 992	424	85	
FAI 270 WB									
120+67		158+00	SKIP DASH SINGLE SOLID	930	3,090		869	93	
234+52		255+20	SKIP DASH SINGLE SOLID	520 1,246	2,071	108 1,037	403	69	
SE LOOP									
2+18		13+57	SINGLE SOLID	1,139	1,207		85	4	
NE LOOP									
2+73		9+46	SINGLE SOLID	673	727		57	4	
SE RAMP									
109+25		17+39	SINGLE SOLID	816	816		66		
IL-RTE 3									
1355+41		1383+66	SKIP DASH SINGLE SOLID			82 864	83	39	
SUBTOTAL				17,064	14,360	3,147	2,474	398	
TOTAL				31,423		3,147	2,474	398	

FOG SEAL SCHEDULE					
STATION	TO	STATION	OFFSET	POLY BIT MATLS (FOG SEAL) (POUND)	
FAI 270 EB					
121+08		158+00	12' RT-22' RT	2,152	
120+67		158+00	12' LT-20' LT	3,305	
155+82		156+18	16' LT-48' LT	64	
234+32		255+08	12' LT-VAR LT	1,189	
234+32		237+12	23' RT-62' RT	144	
237+19		243+29	12' RT-30' RT	486	
243+34		255+08	12' RT-51' RT	791	
FAI 270 WB					
120+67		158+00	12' RT-20' RT	2,146	
120+67		158+00	12' LT-22' LT	3,225	
234+52		255+20	12' RT-VAR RT	1,028	
234+52		236+24	20' LT-52' LT	88	
238+30		245+44	12' LT-25' LT	626	
252+90		255+20	12' LT-22' LT	164	
SE LOOP					
1+97		14+00	16' LT-20' LT	410	
1+97		14+00	0' RT-8' RT	758	
NE LOOP					
2+29		9+70	0' RT-8' RT	452	
6+32		9+70	16' LT-20' LT	110	
SE RAMP					
109+25		17+78	16' LT-20' LT	274	
109+25		17+78	0' RT-8' RT	547	
IL-RTE 3					
1355+01		1383+15	26' LT-62' LT	450	
TOTAL				18,650	

REMOVAL SCHEDULE						
STATION	TO	STATION	OFFSET	HMA SURF REM 4 (SQ YD)	HMA SURF REM 4 1/4 (SQ YD)	RAISED REF PVT MK REM (EACH)
FAI 270 EB						
121+08		158+00	12' LT-12' RT	9,907		94
234+32		255+08	12' LT-12' RT	5,518		52
234+32		237+19	12' RT-55' RT	696		28
237+19		240+16	12' RT-20' RT	153		
243+30		253+09	12' RT-43' RT	1,381		
FAI 270 WB						
120+67		158+00	12' LT-12' RT	9,894		93
234+52		255+20	12' LT-12' RT	5,528		66
234+52		238+30	12' LT-45' LT	440		
SE LOOP						
1+98		14+00	0' RT-16' LT		2,196	4
NE LOOP						
2+29		9+70	0' RT-16' LT		1,370	4
2+29		6+32	16' LT-20' LT		197	
SE RAMP						
109+25		17+78	0' RT-16' LT		1,520	
IL-RTE 3						
1355+96		1363+15	12' LT-55' LT		1,293	28
TOTAL				33,516	6,578	369

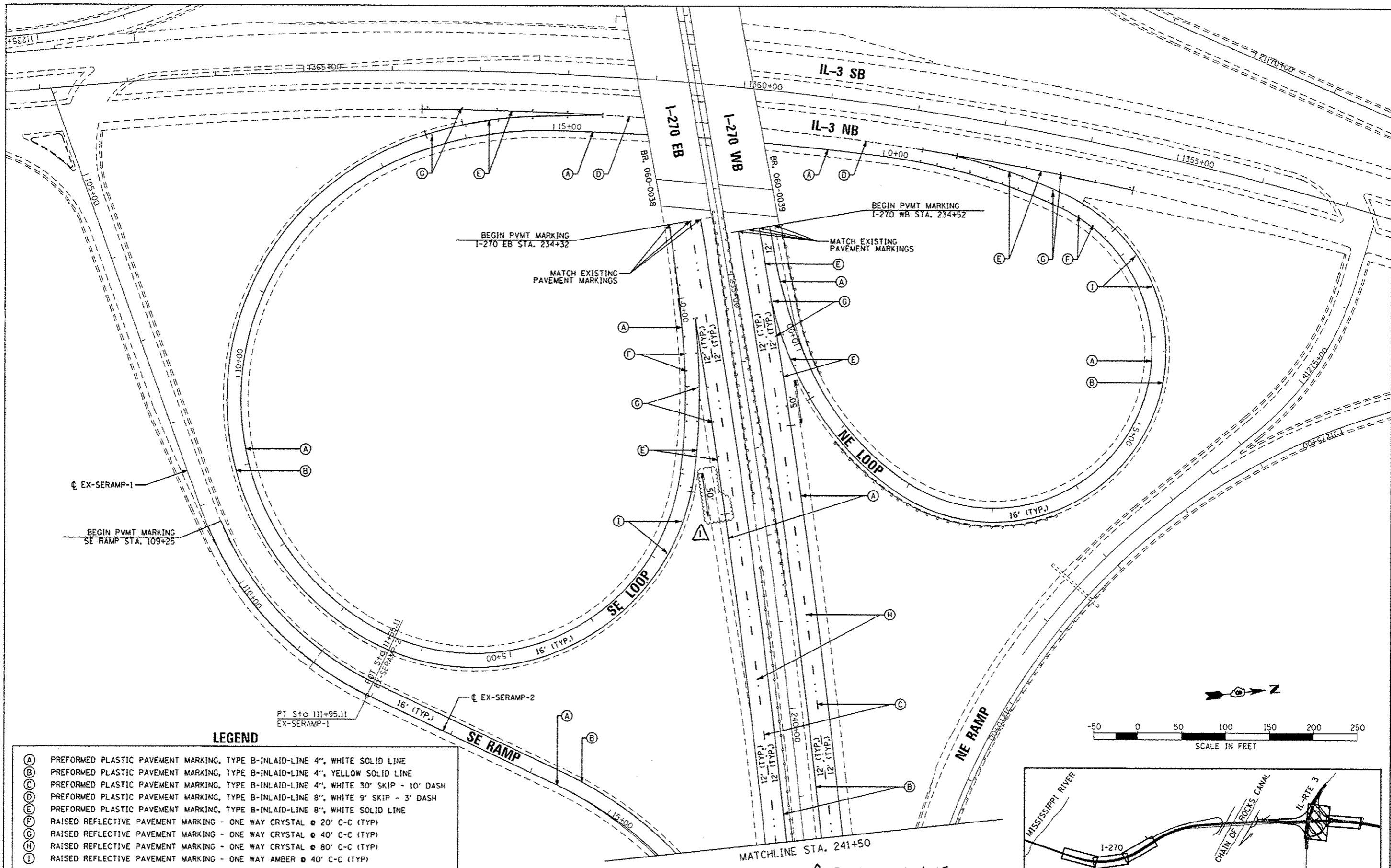
PAVEMENT PATCHING SCHEDULE						
STATION	OFFSET LANE	LENGTH (FT)	WIDTH (FT)	CLASS D PATCHES 14" INCH		
				TYPE I (SQ YD)	TYPE III (SQ YD)	
FAI 270 EB						
123+00	RT	6	12	8		
136+15	LT	6	12	8		
FAI 270 WB						
122+60	RT	9	12	12		
124+30	RT	6	12	8		
124+85	RT	6	12	8		
127+83	RT	6	12	8		
128+38	RT	6	12	8		
131+64	RT	14	12		18.67	
131+97	RT	6	12	8		
133+55	RT	6	12	8		
134+10	RT	6	12	8		
134+70	RT	6	12	8		
135+00	RT	6	12	8		
141+00	RT	6	12	8		
142+58	RT	6	12	8		
144+55	RT	6	12	8		
TOTAL				124	18.67	

SHOULDER RUMBLE STRIP SCHEDULE					
STATION	TO	STATION	OFFSET	SHOULDER RUM STRIP 16 (FT)	
FAI 270 EB					
121+08		158+00	12' RT	3,727	
TOTAL				3,727	

DELINEATOR SCHEDULE		
LOCATION	DELINEATORS (EACH)	
SE LOOP	20	
NE LOOP	16	
SE RAMP	10	
TOTAL		
	46	

REVISD 6-1-15

FILE NAME *	USER NAME * #USER#	DESIGNED -	REVISED -3-24-15 FOG SEAL DESC	STATE OF ILLINOIS DEPARTMENT OF TRANSPORTATION	SCHEDULE OF QUANTITIES	F.A.I. RTE.	SECTION	COUNTY	TOTAL SHEETS	SHEET NO.	
#FILE#		DRAWN -	REVISED -			270	60-IRS-3	MADISON	19	6	
PLOT SCALE * #SCALE#		CHECKED -	REVISED -			CONTRACT NO. 76C98					
#MODEL#		DATE -	REVISED -			SCALE:	SHEET 1 OF 1 SHEETS	STA.	TO STA.	ILLINOIS FED. AID PROJECT	



**LEGEND**

- (A) PREFORMED PLASTIC PAVEMENT MARKING, TYPE B-INLAID-LINE 4", WHITE SOLID LINE
- (B) PREFORMED PLASTIC PAVEMENT MARKING, TYPE B-INLAID-LINE 4", YELLOW SOLID LINE
- (C) PREFORMED PLASTIC PAVEMENT MARKING, TYPE B-INLAID-LINE 4", WHITE 30' SKIP - 10' DASH
- (D) PREFORMED PLASTIC PAVEMENT MARKING, TYPE B-INLAID-LINE 8", WHITE 9' SKIP - 3' DASH
- (E) PREFORMED PLASTIC PAVEMENT MARKING, TYPE B-INLAID-LINE 8", WHITE SOLID LINE
- (F) RAISED REFLECTIVE PAVEMENT MARKING - ONE WAY CRYSTAL @ 20' C-C (TYP)
- (G) RAISED REFLECTIVE PAVEMENT MARKING - ONE WAY CRYSTAL @ 40' C-C (TYP)
- (H) RAISED REFLECTIVE PAVEMENT MARKING - ONE WAY CRYSTAL @ 80' C-C (TYP)
- (I) RAISED REFLECTIVE PAVEMENT MARKING - ONE WAY AMBER @ 40' C-C (TYP)

FILE NAME :	USER NAME : #USER#	DESIGNED -	REVISED - 3-31-15 8" STRP GORE
#FILE#		DRAWN -	REVISED -
	PLOT SCALE : #SCALE#	CHECKED -	REVISED -
#MODELNAME#	PLOT DATE : #DATE#	DATE -	REVISED -

**STATE OF ILLINOIS  
DEPARTMENT OF TRANSPORTATION**

**INTERSTATE 270  
PAVEMENT MARKING PLANS**

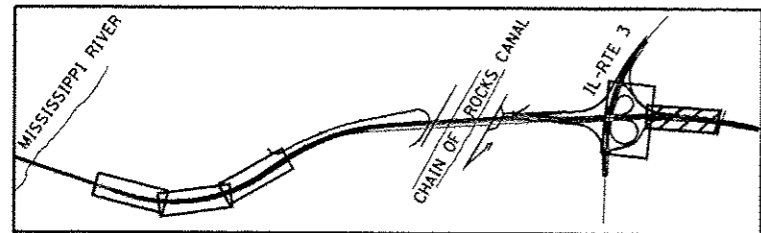
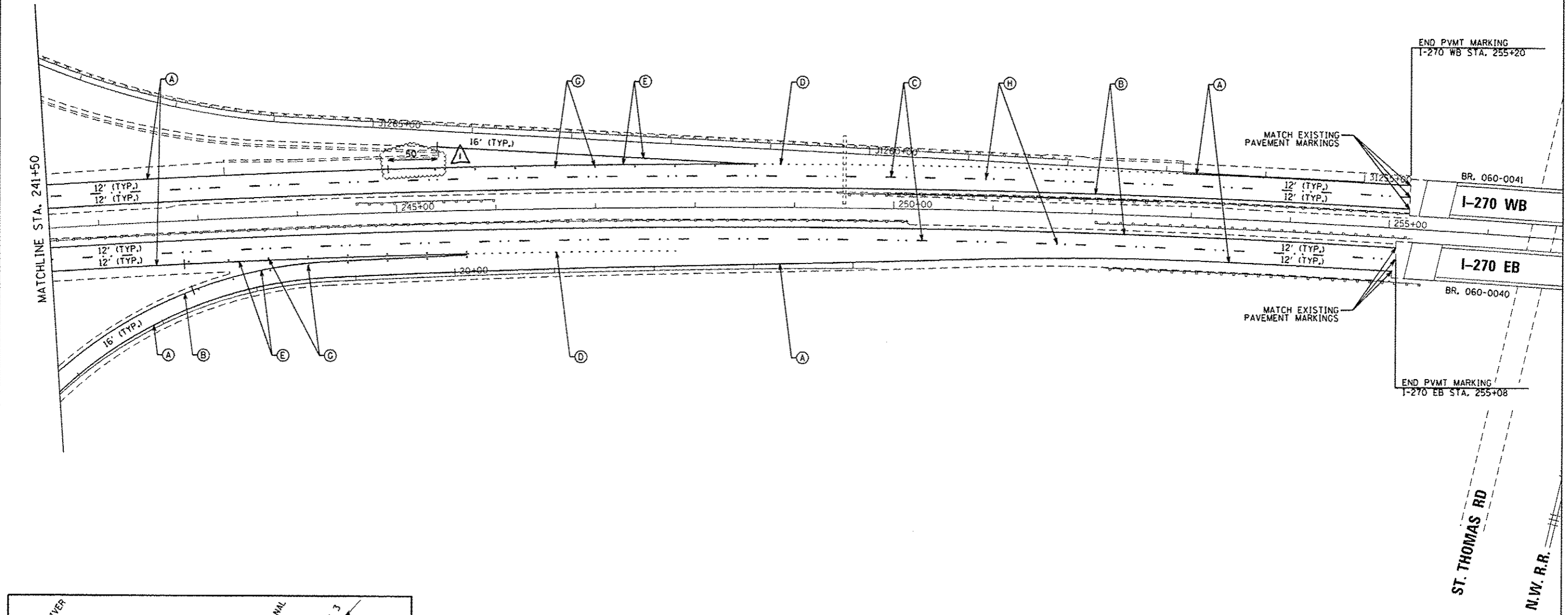
SCALE: SHEET 3 OF 4 SHEETS STA. 232+00 TO STA. 241+50

F.A.I. RTE. 270	SECTION 60-1RS-3	COUNTY MADISON	TOTAL SHEETS 19	SHEET NO. 17
ILLINOIS FED. AID PROJECT			CONTRACT NO. 76C98	

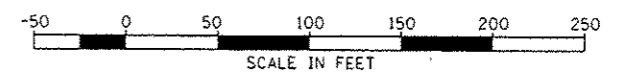
REVIS 6-1-15

**LEGEND**

- (A) PREFORMED PLASTIC PAVEMENT MARKING, TYPE B-INLAID-LINE 4", WHITE SOLID LINE
- (B) PREFORMED PLASTIC PAVEMENT MARKING, TYPE B-INLAID-LINE 4", YELLOW SOLID LINE
- (C) PREFORMED PLASTIC PAVEMENT MARKING, TYPE B-INLAID-LINE 4", WHITE 30' SKIP - 10' DASH
- (D) PREFORMED PLASTIC PAVEMENT MARKING, TYPE B-INLAID-LINE 8", WHITE 9' SKIP - 3' DASH
- (E) PREFORMED PLASTIC PAVEMENT MARKING, TYPE B-INLAID-LINE 8", WHITE SOLID LINE
- (F) RAISED REFLECTIVE PAVEMENT MARKING - ONE WAY CRYSTAL @ 20' C-C (TYP)
- (G) RAISED REFLECTIVE PAVEMENT MARKING - ONE WAY CRYSTAL @ 40' C-C (TYP)
- (H) RAISED REFLECTIVE PAVEMENT MARKING - ONE WAY CRYSTAL @ 80' C-C (TYP)
- (I) RAISED REFLECTIVE PAVEMENT MARKING - ONE WAY AMBER @ 40' C-C (TYP)



△ REVISED 6-1-15



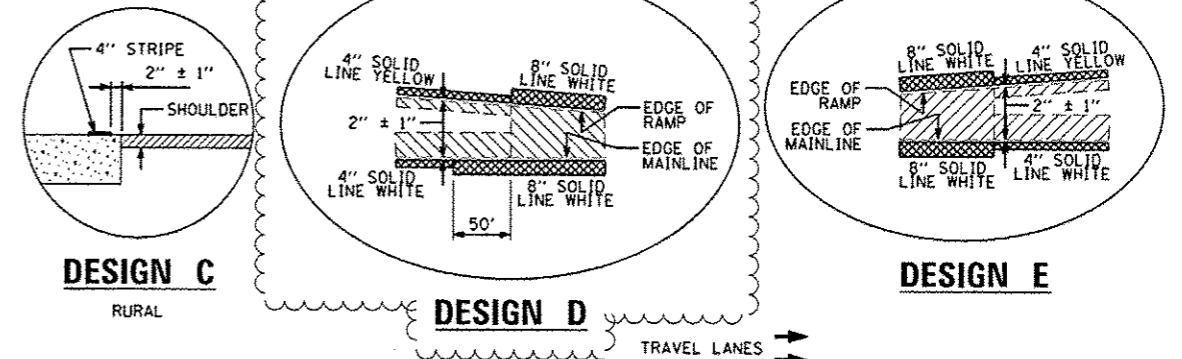
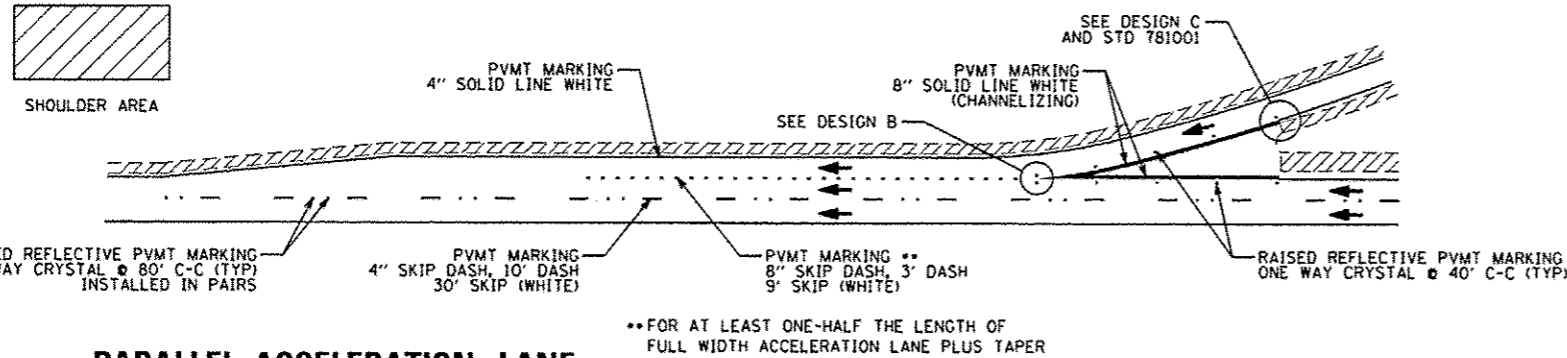
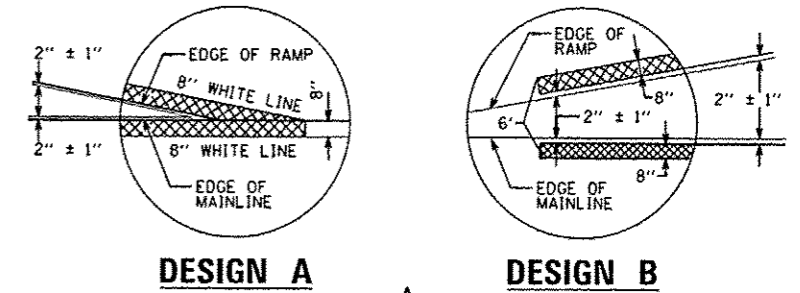
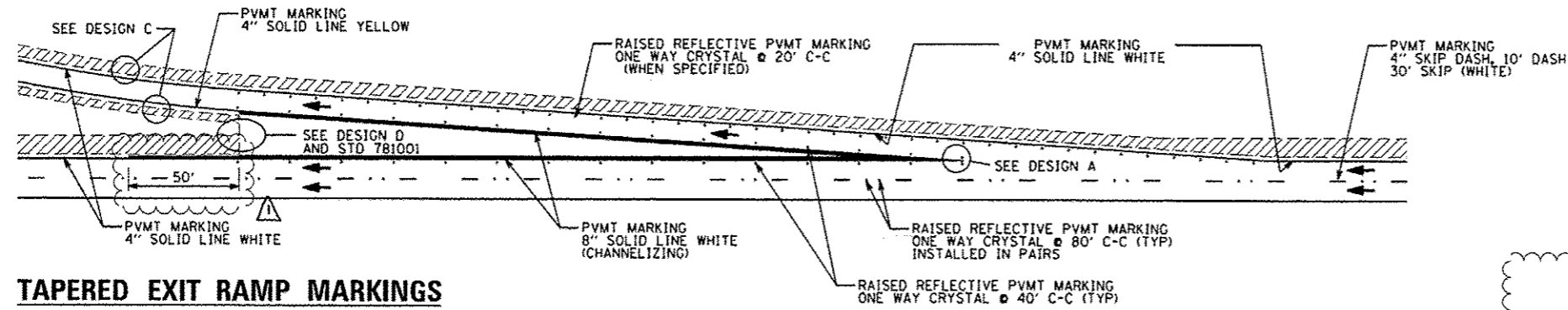
FILE NAME :	USER NAME : #USER#	DESIGNED -	REVISED - 3-31-15 8" STRP GORE
#FILE#		DRAWN -	REVISED -
#MODELNAME#		CHECKED -	REVISED -
		DATE -	REVISED -

**STATE OF ILLINOIS  
DEPARTMENT OF TRANSPORTATION**

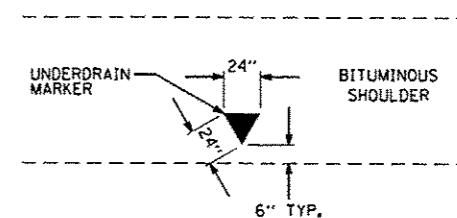
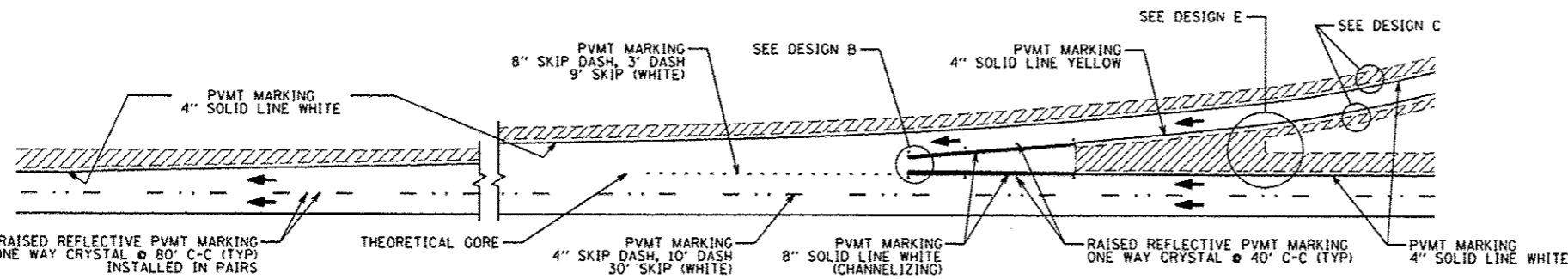
**INTERSTATE 270  
PAVEMENT MARKING PLAN**

SCALE: SHEET 4 OF 4 SHEETS STA. 241+50 TO STA. 256+00

F.A.I. RTE.	SECTION	COUNTY	TOTAL SHEETS	SHEET NO.
270	60-IR5-3	MADISON	19	18
CONTRACT NO. 76G98			ILLINOIS FED. AID PROJECT	

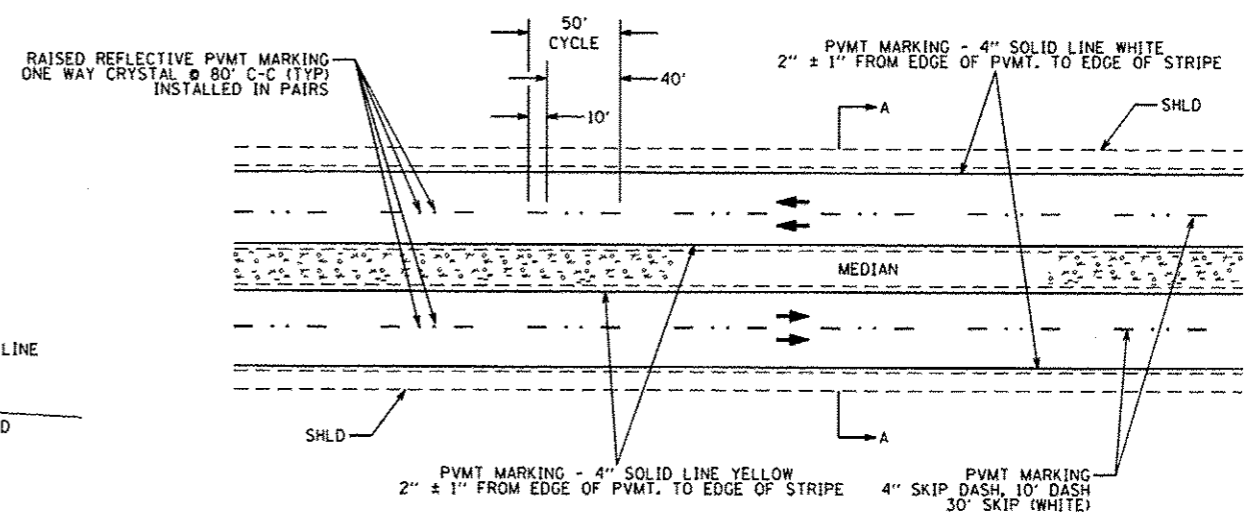
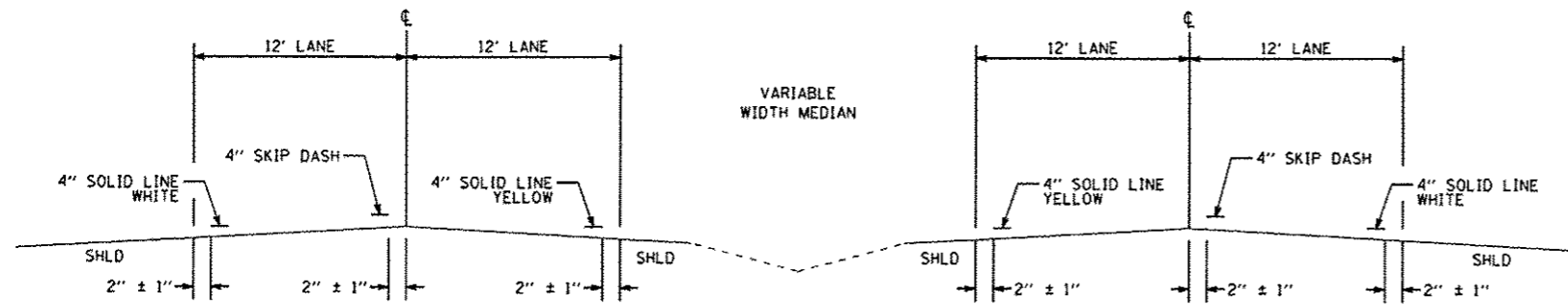


**PARALLEL ACCELERATION LANE**



**TYPICAL UNDERDRAIN OUTLET MARKER DETAIL**

**TAPERED ACCELERATION LANE**



REVISD 6-1-15

**TYPICAL 4-LANE DIVIDED PAVEMENT MARKING**

FILE NAME :	USER NAME : #USER#	DESIGNED -	REVISED - 3-31-15 INSET D	STATE OF ILLINOIS DEPARTMENT OF TRANSPORTATION	PAVEMENT MARKING DETAILS	F.A.T. R.T.E.	SECTION	COUNTY	TOTAL SHEETS	SHEET NO.
#FILE#		DRAWN - MJR	REVISED -			270	60-IRS-3	MADISON	19	19
#MODELNAME#		CHECKED -	REVISED -			SCALE:	SHEET 1 OF 1 SHEETS	STA.	TO STA.	CONTRACT NO. 76G98
		PLOT SCALE : #SCALE#	REVISED -							ILLINOIS FED. AID PROJECT
		PLOT DATE : #DATE#	DATE -							