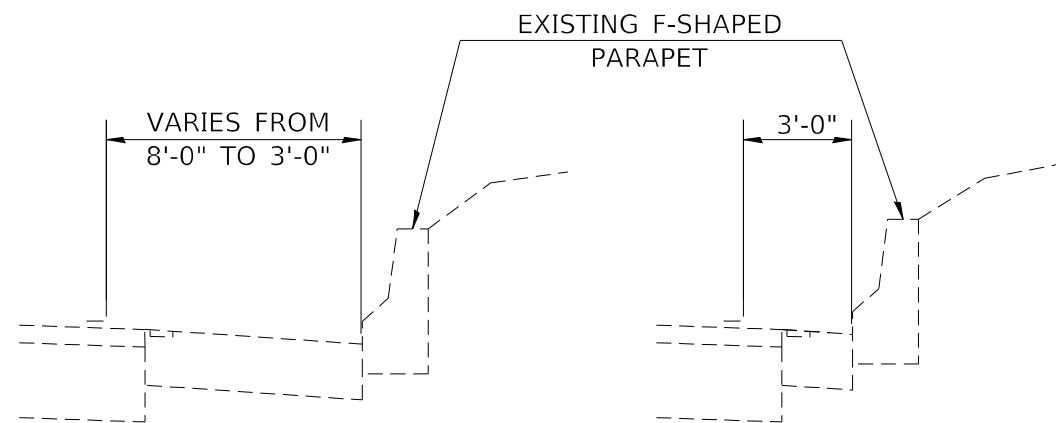
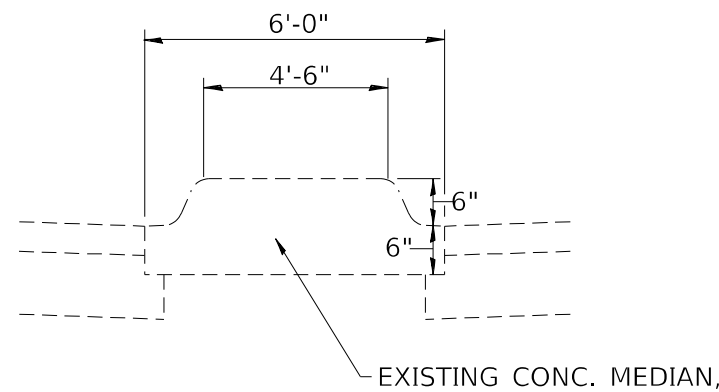


TYPICAL SECTION
M.S. 5.439 TO M.S. 5.560



DETAIL
M.S. 4.894 TO M.S. 4.911
M.S. 4.911 TO M.S. 4.980



DETAIL
EXISTING CONC. MEDIAN,

LEGEND

- ① EXISTING HOT-MIX ASPHALT SURFACE COURSE
- ② EXISTING BITUMINOUS PAVEMENT
- ③ EXISTING HOT-MIX ASPHALT SHOULDER
- ④ EXISTING CONCRETE GUTTER, TYPE B
- ⑤ EXISTING COMBINATION CONCRETE CURB
- ⑥ EXISTING GUARDRAIL
- ⑦ EXISTING STEEL PLATE BEAM GUARDRAIL, TYPE D
- ⑧ EXISTING RUMBLE STRIP, 8"
- ⑨ EXISTING CONCRETE MEDIAN (SEE DETAIL)

△ REVISED SHEET 5-26-2020

MODEL: \\MODEL\NAME
 FILE: NAME: P:\pub\mcom.m.dct\illinois.gov\PWD\DOT\Documents\DOT_Offices\District_8\Projects\DE76N57\CADD\DATA\CAD\Project\DE76N57-shc-dm.dgn

USER NAME = dintelmanjn	DESIGNED -	REVISED -
	DRAWN -	REVISED -
PLOT SCALE = 100,0000' / in.	CHECKED -	REVISED -
PLOT DATE = 5/19/2020	DATE -	REVISED -

**STATE OF ILLINOIS
DEPARTMENT OF TRANSPORTATION**

EXISTING TYPICAL SECTIONS

SCALE: SHEET 4 OF 4 SHEETS STA. TO STA.

F.A.P. RTE.	SECTION	COUNTY	TOTAL SHEETS	SHEET NO.
304	(402,403,404,405)GR	MADISON	14	8
			CONTRACT NO. 76N57	
			ILLINOIS FED. AID PROJECT	

GUARDRAIL - MEDIAN						
County	Location	GUARDRAIL REMOVAL	SPBGR TYPE D 6' POSTS	IMPACT ATT. (NON-REDIRC.) TEST LEVEL 3	GUARDRAIL REFLECTORS, TYPE A	COMMENTS
	MILE POINT		FOOT	EACH	EACH	
MADISON	0.83	6270		1		
MADISON	0.83		6210		39	
MADISON	2.02			1		
MADISON	2.04	7650		1		
MADISON	2.04		7290		44	
MADISON	3.43					
MADISON	3.44	976				
MADISON	3.44		916		13	
MADISON	3.62			1		
MADISON	3.66	606		1		
MADISON	3.66		562.5		11	
MADISON	3.77			1		
MADISON	3.91	5285		1		
MADISON	3.91		5255		34	
JERSEY	4.96			1		
JERSEY	4.96		1587.5		16	NEW SPBGR
JERSEY	5.27			1		
SUB-TOTALS		20787	21821	9	157	

GUARDRAIL - COMBINED												
Location	GUARDRAIL REMOVAL	SPBGR 9' POSTS	SPBGR 6' POSTS	SPBGR TYPE D 6' POSTS	TRAFFIC BARRIER TERMINAL TYPE 1, SPECIAL (TANGENT)	TRAFFIC BARRIER TERMINAL TYPE 6	TRAFFIC BARRIER TERMINAL TYPE 2	IMPACT ATT. (NON-REDIRC.) TEST LEVEL 3	FURNISHED EXCAVATION	GUARDRAIL REFLECTORS, TYPE A	TERMINAL MARKER - DIRECT APPLIED	BACKSIDE PROTECTION OF GUARDRAIL
MADISON												
S.B. IL 100	26245	22375			11		4			69	11	
N.B. IL 100	3212		2600		5		3	68		22	5	2487.5
MED. IL 100	20787			20233.5				7		141		
SUB-TOTAL	50244	22375	2600	20233.5	16	0	7	7	68	232	16	2487.5
JERSEY												
S.B. IL 100	607.5	3450	50		2	2	1	34		8	2	
N.B. IL 100	777	325			3	3		68		8	3	50
MED. IL 100				1587.5								
SUB-TOTAL	1384.5	3775	50	1587.5	5	5	1	2	102	16	5	50
GRAND TOTAL	51628.5	26150	2650	21821	21	5	8	9	170	248	21	2537.5

GUTTER & BIKE PATH SCHEDULE						
LOCATION		GUTTER REMOVAL	PAVEMENT REMOVAL	CONCRETE GUTTER, TYPE A	AGG. BASE COURSE, TYPE B	INCIDENTAL HMA SURFACING
M.P.	TO	(FOOT)	(SQ YD)	(FOOT)	(TON)	(TON)
2.06	TO 2.16	542	90	542	6.00	11
TOTAL		542	90	542	6	11

REVISOR'S MARK
REVISED SHEET 5-26-2020

STATE OF ILLINOIS
DEPARTMENT OF TRANSPORTATION

SCHEDULE OF QUANTITIES

SCALE: SHEET OF SHEETS STA. TO STA.

F.A.P. RTE.	SECTION	COUNTY	TOTAL SHEETS	SHEET NO.
304	(402,403,404,405)GR	*	14	10
CONTRACT NO. 76N57				
ILLINOIS FED. AID PROJECT				

MADISON & JERSEY

MODEL: \\MODEL\NAME
FILE: \\NAME: P:\pub\mcom.m.dct\illinois.gov\PWIDOT\Documents\DOT_Offices\District 8\Projects\076N57\CADD\DATA\CAD\Process\076N57-rfc-dm.dgn

USER NAME = dintelmanjn	DESIGNED -	REVISED -
	DRAWN -	REVISED -
PLOT SCALE = 100,0000' / in.	CHECKED -	REVISED -
PLOT DATE = 5/19/2020	DATE -	REVISED -