

STATE OF ILLINOIS
DEPARTMENT OF TRANSPORTATION

F.A. RTE.	SECTION	COUNTY	TOTAL SHEETS	SHEET NO.
VAR	2026-2160-TS	VARIOUS	58	1
		ILLINOIS	CONTRACT NO. 80C89	

* 58 + 1 = 59 TOTAL SHEETS

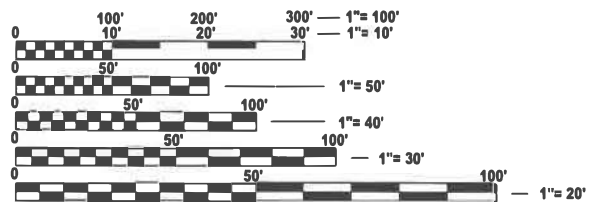
FOR INDEX OF SHEETS, SEE SHEET NO. 2

PROPOSED
HIGHWAY PLANS

VARIOUS ROUTES
SECTION: 2026-2160-TS
PROJECT: STP - GOET(475)
TRAFFIC SIGNAL MODERNIZATION
LAKE AND COOK COUNTIES
C-91-206-26



FOR LOCATION MAPS
SEE SHEETS NO. 3 - 6



FULL SIZE PLANS HAVE BEEN PREPARED USING STANDARD ENGINEERING SCALES. REDUCED SIZED PLANS WILL NOT CONFORM TO STANDARD SCALES. IN MAKING MEASUREMENTS ON REDUCED PLANS, THE ABOVE SCALES MAY BE USED.

J.U.L.I.E.
JOINT UTILITY LOCATION INFORMATION FOR EXCAVATION
1-800-892-0123
OR 811

PROJECT ENGINEER: IOVAN PLASCENCIA
PROJECT MANAGER: NICHOLAS BUTLER

CONTRACT NO. 80C89

STATE OF ILLINOIS
DEPARTMENT OF TRANSPORTATION

SUBMITTED March 25 2026
Joselyn IR
REGIONAL ENGINEER

May 8 2026
Scott A. Etkin
ENGINEER OF DESIGN AND ENVIRONMENT

May 8 2026
Y. Mary
DIRECTOR OF HIGHWAYS PROJECT IMPLEMENTATION

PRINTED BY THE AUTHORITY
OF THE STATE OF ILLINOIS

INDEX OF SHEETS

SHT NO.	DESCRIPTION
1	COVER SHEET
2	INDEX OF SHEETS, HIGHWAY STANDARDS, AND GENERAL NOTES
3-6	LOCATION MAPS
7-13	SUMMARY OF QUANTITIES
14-20	DISTRICT 1 STANDARD TRAFFIC SIGNAL DESIGN DETAILS (TS-01)
21	DISTRICT 1 MAST ARM MOUNTED STREET NAME SIGNS (TS-02)
TRAFFIC SIGNAL PLANS:	
22	CONTROLLER REPLACEMENT SCHEDULE OF QUANTITIES
23-28	TS 965 US RTE 12 (RAND RD) AT LONG GROVE RD
29-32	TS 5635 PALATINE RD AT WINSTON DR
33-36	TS 5175 GOLF RD AT GLEN VIEW CLUB DR
37-40	TS 9180 CUMBERLAND AVE AT GRANVILLE AVE
41-44	TS 10845 DIXIE HWY AT 168TH ST
45-50	TS 1378 GOVERNORS HWY AT 203RD ST
51-56	TS 4380 CHICAGO RD AT VOLLMER RD
57	TRAFFIC CONTROL AND PROTECTION FOR SIDE ROADS, INTERSECTIONS, AND DRIVEWAYS (TC-10)
57A	TRAFFIC CONTROL AND PROTECTION AT TURN BAYS (TO REMAIN OPEN TO TRAFFIC)(TC-14)
58	ARTERIAL ROAD INFORMATION SIGN (TC-22)

HIGHWAY STANDARDS

STD. NO.	TITLE
000001-09	STANDARD SYMBOLS, ABBREVIATIONS AND PATTERNS
701001-02	OFF-ROAD OPERATIONS 2L, 2W, MORE THAN 15' AWAY
701006-05	OFF-ROAD OPERATIONS 2L, 2W, 15' TO 24" FROM PAVEMENT EDGE
701101-05	OFF-ROAD OPERATIONS, MULTILANE, 15' TO 24" FROM PAVEMENT EDGE
701106-02	OFF-ROAD OPERATIONS, MULTILANE, MORE THAN 15' AWAY
701501-06	URBAN LANE CLOSURE, 2L, 2W, UNDIVIDED
701502-09	URBAN LANE CLOSURE, 2L, 2W, WITH BIDIRECTIONAL LEFT TURN LANE
701601-09	URBAN LANE CLOSURE, MULTILANE, 1W OR 2W WITH NONTRAVERSABLE MEDIAN
701606-10	URBAN SINGLE LANE CLOSURE, MULTILANE, 2W WITH MOUNTABLE MEDIAN
701701-10	URBAN LANE CLOSURE MULTILANE INTERSECTION
701801-06	SIDEWALK, CORNER OR CROSSWALK CLOSURE
701901-11	TRAFFIC CONTROL DEVICES
720001-01	SIGN PANEL MOUNTING DETAIL
814001-03	HANDHOLES
814006-03	DOUBLE HANDHOLES
873001-02	TRAFFIC SIGNAL GROUNDING & BONDING
877001-08	STEEL MAST ARM ASSEMBLY AND POLE 16' THROUGH 55'
877011-10	STEEL COMBINATION MAST ARM ASSEMBLY AND POLE 16' THROUGH 55'
878001-11	CONCRETE FOUNDATION DETAILS
880006-01	TRAFFIC SIGNAL MOUNTING DETAILS

GENERAL NOTES

BEFORE STARTING ANY EXCAVATION, THE CONTRACTOR SHALL CALL "J.U.L.I.E." AT (800) 892-0123 OR 811 FOR FIELD LOCATIONS OF BURIED ELECTRIC, TELEPHONE AND GAS. 48 HOUR NOTIFICATION IS REQUIRED.

THE CONTRACTOR SHALL CONTACT KALPANA KANNAN-HOSADURGA, THE DISTRICT ONE TRAFFIC CONTROL SUPERVISOR, AT KALPANA.KANNAN-HOSADURGA@ILLINOIS.GOV A MINIMUM OF 72 HOURS IN ADVANCE OF BEGINNING WORK.

IT SHALL BE THE CONTRACTOR'S RESPONSIBILITY TO VERIFY ALL DIMENSIONS AND CONDITIONS EXISTING IN THE FIELD PRIOR TO ORDERING MATERIALS AND BEGINNING CONSTRUCTION. THIS SHALL INCLUDE LOCATING THE MAST ARM FOUNDATIONS AND VERIFYING THE MAST ARM LENGTHS.

THE EXACT LOCATION OF ALL UTILITIES SHALL BE FIELD VERIFIED BY THE CONTRACTOR BEFORE ORDERING ANY MATERIALS AND STARTING ANY WORK. FOR LOCATIONS OF UTILITIES, LOCALLY OWNED EQUIPMENT, LEASED ENFORCEMENT CAMERA SYSTEM FACILITIES AND IDOT UNDERGROUND FACILITIES, CONTACT THE LOCAL COUNTIES, MUNICIPALITIES AND IDOT FOR LOCATES. THE CONTRACTOR SHALL CALL "JULIE" AT (800) 892-0123 OR 811, IN THE CITY OF CHICAGO CONTACT DIGGER AT (312) 744-7000 FOR FIELD LOCATIONS OF BURIED UTILITIES (48 HOURS NOTIFICATION REQUIRED).

IF THIS CONTRACT REQUIRES THE SERVICES OF AN ELECTRICAL CONTRACTOR, THE CONTRACTOR SHALL BE RESPONSIBLE AT HIS/HER OWN EXPENSE FOR LOCATING EXISTING IDOT ELECTRICAL FACILITIES PRIOR TO PERFORMING ANY WORK. IF THIS CONTRACT DOES NOT REQUIRE THE SERVICES OF AN ELECTRICAL CONTRACTOR, THE CONTRACTOR MAY REQUEST ONE FREE LOCATE FOR EXISTING IDOT ELECTRICAL FACILITIES FROM THE DISTRICT ONE ELECTRICAL MAINTENANCE CONTRACTOR PRIOR TO THE START OF ANY WORK. ADDITIONAL REQUESTS MAY BE AT THE EXPENSE OF THE CONTRACTOR. THE LOCATION OF UNDERGROUND TRAFFIC FACILITIES DOES NOT RELIEVE THE CONTRACTOR OF THEIR RESPONSIBILITY TO REPAIR ANY FACILITIES DAMAGED DURING CONSTRUCTION AT THEIR EXPENSE.

THE CONTRACTOR SHALL CHECK THE PROPOSED TRAFFIC SIGNAL EQUIPMENT LOCATIONS FOR UNDERGROUND AND OVERHEAD UTILITY CONFLICTS. THE CONTRACTOR SHALL NOTIFY THE AREA ENGINEER, THE RESIDENT ENGINEER AND ANY IMPACTED UTILITY COMPANY OF THE CONFLICT, AND SHALL COORDINATE AND RESOLVE THE ISSUE PRIOR TO ORDERING MATERIALS, AND PRIOR TO POURING FOUNDATIONS.

THE CONTRACTOR SHALL COORDINATE CONSTRUCTION ACTIVITIES WITH UTILITY COMPANIES, LOCAL GOVERNMENT AGENCIES AND IDOT.

RESTORATION OF THE TRAFFIC SIGNAL WORK AREA SHALL BE INCLUDED IN THE RELATED PAY ITEM SUCH AS FOUNDATION, CONDUIT, HANDHOLE, ETC., AND NO EXTRA COMPENSATION SHALL BE ALLOWED. ALL ROADWAY SURFACES SUCH AS SHOULDERS, MEDIAN, SIDEWALKS, PAVEMENT ETC. SHALL BE REPLACED IN KIND. ALL DAMAGE TO MOWED LAWNS SHALL BE REPLACED WITH AN APPROVED SOD, AND ALL DAMAGE TO UNMOWED FIELDS SHALL BE SEEDED IN ACCORDANCE WITH STANDARD SPECIFICATIONS 252 AND 250 RESPECTIVELY.

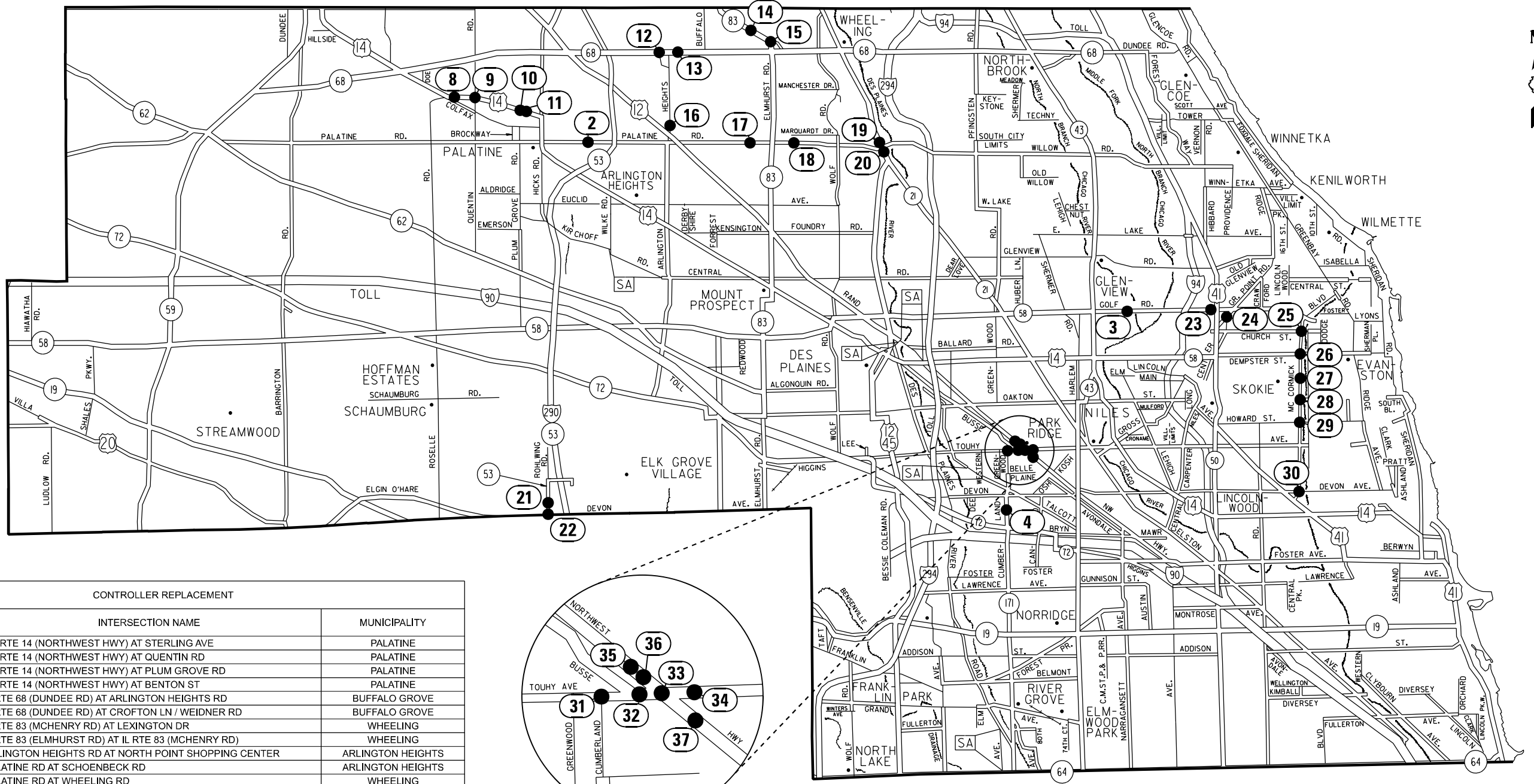
PARTIAL PAYMENT AS DESCRIBED IN ARTICLE 109.07(b) OF THE STANDARD SPECIFICATIONS WILL NOT BE ALLOWED FOR ITEMS INCLUDED IN THIS CONTRACT.

LOCATIONS WITH PEDESTRIAN EQUIPMENT HAVE BEEN DESIGNED TO BE PROWAG/MUTCD COMPLIANT. ANY DEVIATION FROM THE PLANS FOR TRAFFIC SIGNAL MAST ARM/POSTS THAT HAVE PEDESTRIAN EQUIPMENT WILL HAVE TO BE APPROVED BY THE ENGINEER TO ENSURE COMPLIANCE.

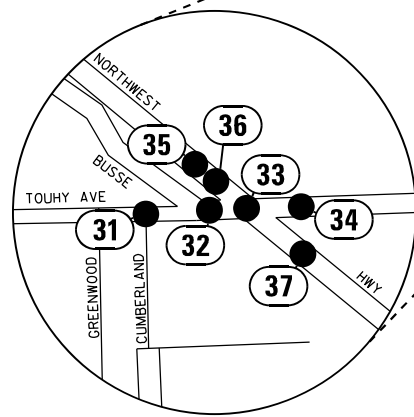
IT SHALL BE THE CONTRACTOR'S RESPONSIBILITY TO REMOVE ANY EXISTING SIGNS FROM THE MAST ARM ASSEMBLIES AND POSTS THAT ARE TO BE REMOVED AND TRANSFER THEM TO THE PROPOSED MAST ARM ASSEMBLIES AND POSTS PER THE STANDARD SPECIFICATIONS.

MAINLINE AND SIDE ROAD 'ROAD CONSTRUCTION AHEAD' SIGNS SHALL REMAIN INSTALLED AT LOCATIONS WHERE ROADWAY HAZARDS WITHIN THE WORK ZONE WILL REMAIN OVERNIGHT.

USER NAME = iovan.plascencia	DESIGNED - IP	REVISED - IP 4/28/2026	STATE OF ILLINOIS DEPARTMENT OF TRANSPORTATION	INDEX OF SHEETS, HIGHWAY STANDARDS & GENERAL NOTES	F.A. RTE.	SECTION	COUNTY	TOTAL SHEETS	SHEET NO.	
	DRAWN - IP	REVISED -			VAR	2026-2160-TS	VARIOUS	58	2	
	CHECKED - NB	REVISED -			CONTRACT NO. 80C89					
PLOT DATE =	DATE - 3/20/2026	REVISED -			SCALE:	SHEET 1	OF 1	SHEETS	STA.	TO STA.



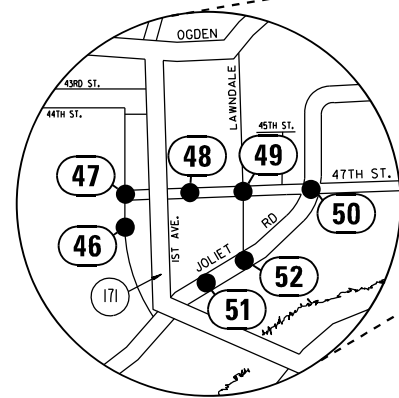
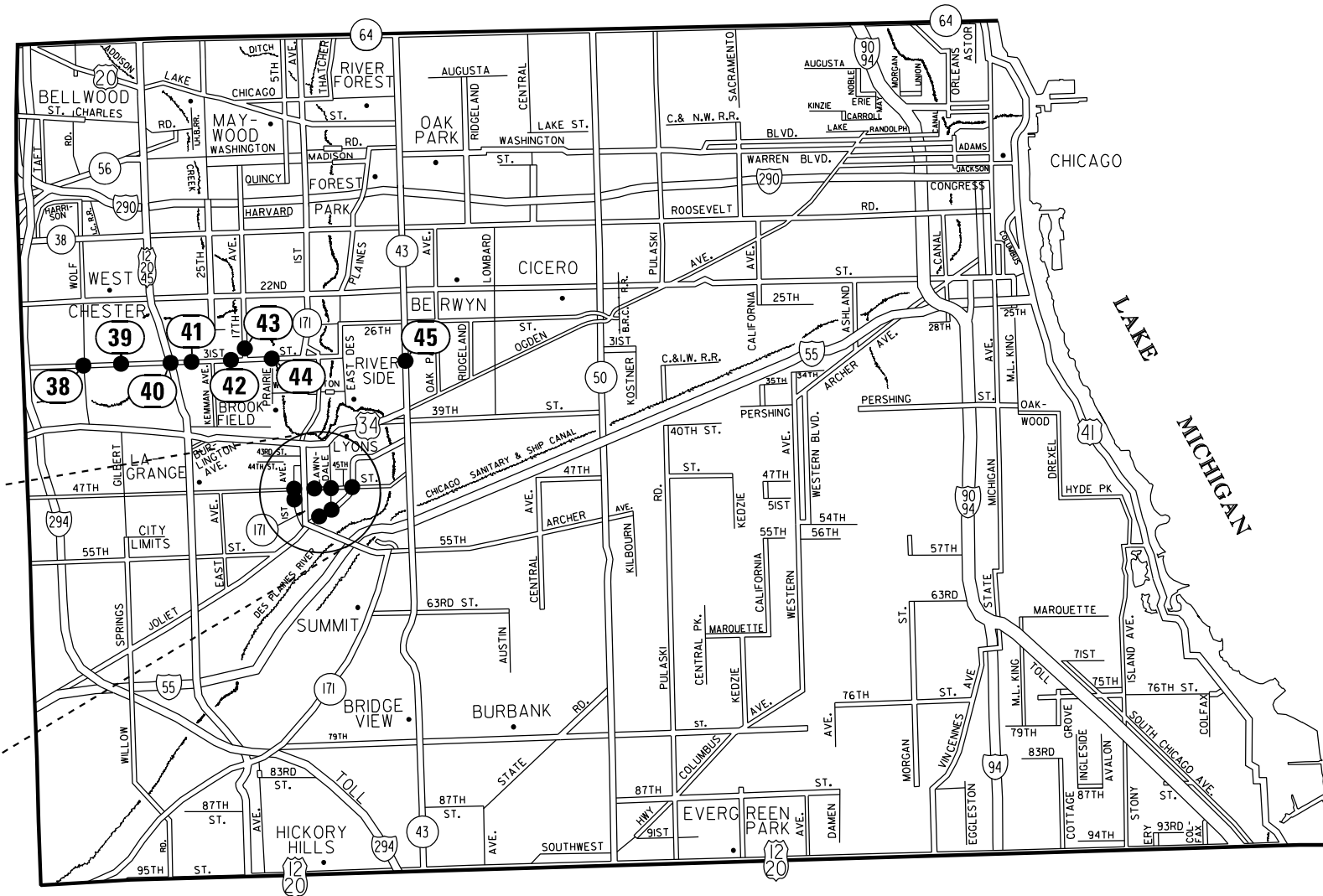
CONTROLLER REPLACEMENT			
LOCATION NO.	TS NO.	INTERSECTION NAME	MUNICIPALITY
8	1172	US RTE 14 (NORTHWEST HWY) AT STERLING AVE	PALATINE
9	1280	US RTE 14 (NORTHWEST HWY) AT QUENTIN RD	PALATINE
10	1315	US RTE 14 (NORTHWEST HWY) AT PLUM GROVE RD	PALATINE
11	1190	US RTE 14 (NORTHWEST HWY) AT BENTON ST	PALATINE
12	3100	IL RTE 68 (DUNDEE RD) AT ARLINGTON HEIGHTS RD	BUFFALO GROVE
13	3210	IL RTE 68 (DUNDEE RD) AT CROFTON LN / WEIDNER RD	BUFFALO GROVE
14	21100	IL RTE 83 (MCHENRY RD) AT LEXINGTON DR	WHEELING
15	3355	IL RTE 83 (ELMHURST RD) AT IL RTE 83 (MCHENRY RD)	WHEELING
16	12600	ARLINGTON HEIGHTS RD AT NORTH POINT SHOPPING CENTER	ARLINGTON HEIGHTS
17	5620	PALATINE RD AT SCHOENBECK RD	ARLINGTON HEIGHTS
18	5625	PALATINE RD AT WHEELING RD	WHEELING
19	1740	US RTE 45 - IL RTE 21 (MILWAUKEE AVE) AT PALATINE RD NORTH RAMP	PROSPECT HEIGHTS
20	1745	US RTE 45 - IL RTE 21 (MILWAUKEE AVE) AT PALATINE RD SOUTH RAMP	PROSPECT HEIGHTS
21	13145	IL RTE 53 (ROHLWING RD) AT NERGE RD	ELK GROVE VILLAGE
22	5715	IL RTE 53 (ROHLWING RD) AT DEVON AVE	ELK GROVE VILLAGE
23	8905	GOLF RD AT LAMON AVE / OLD ORCHARD SHOPPING CENTER	SKOKIE
24	5152	GROSS POINT RD AT KENTON AVE / JEWEL OSCO	SKOKIE
25	4875	MCCORMICK BLVD AT CHURCH ST	SKOKIE
26	5035	MCCORMICK BLVD AT DEMPSTER ST	SKOKIE
27	5465	MCCORMICK BLVD AT MAIN ST	SKOKIE
28	5485	MCCORMICK BLVD AT OAKTON ST	SKOKIE
29	5340	MCCORMICK BLVD AT HOWARD ST	SKOKIE
30	5045	MCCORMICK BLVD AT DEVON AVE	LINCOLNWOOD
31	9190	TOUHY AVE AT CUMBERLAND AVE	PARK RIDGE
32	9222	TOUHY AVE AT SUMMIT AVE	PARK RIDGE
33	9250	TOUHY AVE AT NORTHWEST HWY AT PROSPECT AVE	PARK RIDGE
34	9255	TOUHY AVE AT WASHINGTON AVE	PARK RIDGE
35	9215	NORTHWEST HWY AT MEACHAM AVE	PARK RIDGE
36	9247	NORTHWEST HWY AT SUMMIT AVE	PARK RIDGE
37	9220	NORTHWEST HWY AT WASHINGTON AVE	PARK RIDGE

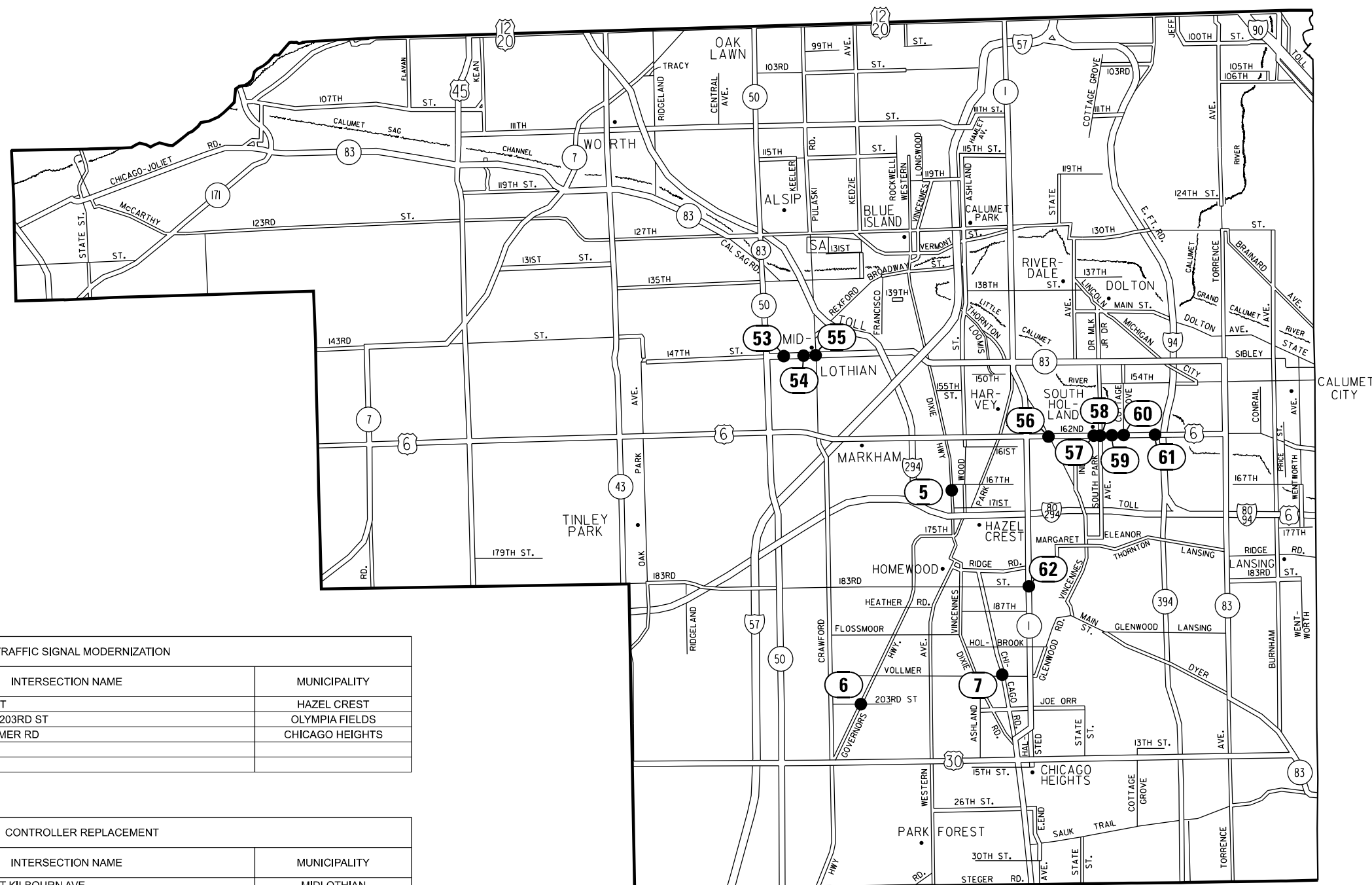


TRAFFIC SIGNAL MODERNIZATION			
LOCATION NO.	TS NO.	INTERSECTION NAME	MUNICIPALITY
2	5635	PALATINE RD AT WINSTON DR	PALATINE
3	5175	GOLF RD AT GLEN VIEW CLUB DR	GOLF
4	9180	CUMBERLAND AVE AT GRANVILLE AVE	PARK RIDGE



CONTROLLER REPLACEMENT			
LOCATION NO.	TS NO.	INTERSECTION NAME	MUNICIPALITY
38	3775	31ST ST AT WOLF RD	WESTCHESTER
39	21175	31ST ST AT MAYFAIR AVE	WESTCHESTER
40	1025	US RTE 12-20-45 (LA GRANGE RD) AT 31ST ST	LA GRANGE PARK
41	13925	31ST ST AT FOREST RD	LA GRANGE PARK
42	13930	31ST ST PEDESTRIAN CROSSING BETWEEN HARRISON AVE AND RAYMOND AVE	LA GRANGE PARK
43	3693	MAPLE AVE (17TH AVE) AT 30TH ST	LA GRANGE PARK
44	3691	31ST ST AT PRAIRIE AVE (11TH AVE)	BROOKFIELD
45	7950	IL RTE 43 (HARLEM AVE) AT 32ND ST	BERWYN
46	11810	IL RTE 171 (1ST AVE) FRONTAGE RD AT IL RTE 171 (1ST AVE) RAMP B	MCCOOK
47	11805	47TH ST AT IL RTE 171 (1ST AVE) WEST RAMP	LYONS
48	3575	47TH ST AT IL RTE 171 (1ST AVE) EAST RAMP	MCCOOK
49	3815	47TH ST AT LAWNDALE AVE	LYONS
50	3810	47TH ST AT JOLIET RD	LYONS
51	5375	JOLIET RD AT UNIVERSAL OIL PRODUCTS	MCCOOK
52	5360	JOLIET RD AT LAWNDALE AVE	MCCOOK





TRAFFIC SIGNAL MODERNIZATION			
LOCATION NO.	TS NO.	INTERSECTION NAME	MUNICIPALITY
5	10845	DIXIE HWY AT 168TH ST	HAZEL CREST
6	1378	GOVERNORS HWY AT 203RD ST	OLYMPIA FIELDS
7	4380	CHICAGO RD AT VOLLMER RD	CHICAGO HEIGHTS

CONTROLLER REPLACEMENT			
LOCATION NO.	TS NO.	INTERSECTION NAME	MUNICIPALITY
53	3455	IL RTE 83 (147TH ST) AT KILBOURN AVE	MIDLOTHIAN
54	3445	IL RTE 83 (147TH ST) AT KEELER AVE	MIDLOTHIAN
55	3400	IL RTE 83 (147TH ST) AT PULASKI RD / CRAWFORD AVE	MIDLOTHIAN
56	300	US RTE 6 (162ND ST) AT VINCENNES AVE	SOUTH HOLLAND
57	293	US RTE 6 (162ND ST) AT WAUSAU AVE	SOUTH HOLLAND
58	290	US RTE 6 (162ND ST) AT SOUTH PARK AVE	SOUTH HOLLAND
59	285	US RTE 6 (162ND ST) AT SCHOOL ST	SOUTH HOLLAND
60	210	US RTE 6 (162ND ST) AT COTTAGE GROVE AVE	SOUTH HOLLAND
61	320	US RTE 6 (162ND ST) AT WOODLAWN EAST AVE	SOUTH HOLLAND
62	1830	IL RTE 1 (HALSTED ST) AT 183RD ST	GLENWOOD

USER NAME =	lovan,pascenda	DESIGNED -	IP	REVISED -	
		DRAWN -	IP	REVISED -	
		CHECKED -	NB	REVISED -	
PLOT DATE =		DATE -	3/20/2026	REVISED -	

**STATE OF ILLINOIS
DEPARTMENT OF TRANSPORTATION**

**LOCATION MAP (4 OF 4)
SOUTH COOK COUNTY**

SCALE: SHEET 4 OF 4 SHEETS STA. TO STA.

F.A. RTE.	SECTION	COUNTY	TOTAL SHEETS	SHEET NO.
VAR	2026-2160-TS	VARIOUS	58	6
CONTRACT NO. 80C89				
ILLINOIS FED. AID PROJECT				

CODE NO.	ITEM	UNIT	TOTAL QUANTITY	CONSTRUCTION CODE			
				80% FED, 20% STATE LAKE COUNTY	80% FED, 20% STATE COOK COUNTY		
				TRAFFIC SIGNALS			
				0021 URBAN			
70102640	TRAFFIC CONTROL AND PROTECTION, STANDARD 701801	L SUM	1	0.15	0.85		
* 72000100	SIGN PANEL - TYPE 1	SQ FT	110.25		110.25		
* 72000200	SIGN PANEL - TYPE 2	SQ FT	87	43.5	43.5		
81028200	UNDERGROUND CONDUIT, GALVANIZED STEEL, 2" DIA.	FOOT	1,309	165	1,144		
81028220	UNDERGROUND CONDUIT, GALVANIZED STEEL, 3" DIA.	FOOT	624	104	520		
81028240	UNDERGROUND CONDUIT, GALVANIZED STEEL, 4" DIA.	FOOT	1,334	244	1,090		
81400100	HANDHOLE	EACH	3		3		
81400200	HEAVY-DUTY HANDHOLE	EACH	13	3	10		
81400300	DOUBLE HANDHOLE	EACH	1		1		
85000200	MAINTENANCE OF EXISTING TRAFFIC SIGNAL INSTALLATION	EACH	62	1	61		
87300010	GROUNDING EXISTING HANDHOLE FRAME AND COVER	EACH	18		18		
87301215	ELECTRIC CABLE IN CONDUIT, SIGNAL NO. 14 2C	FOOT	1,172		1,172		
87301225	ELECTRIC CABLE IN CONDUIT, SIGNAL NO. 14 3C	FOOT	2,629	362	2,267		
87301245	ELECTRIC CABLE IN CONDUIT, SIGNAL NO. 14 5C	FOOT	11,122	1578	9,544		

* SPECIALTY ITEM

USER NAME = lovan.pascenda DESIGNED - IP DRAWN - IP CHECKED - NB PLOT DATE = DATE - 3/20/2026 REVISED - REVISED - REVISED - REVISED -	STATE OF ILLINOIS DEPARTMENT OF TRANSPORTATION	SUMMARY OF QUANTITIES (SHEET 2 OF 7)	F.A. RTE. SECTION COUNTY VARIOUS ILLINOIS FED. AID PROJECT	TOTAL SHEETS 58 SHEET NO. 8 CONTRACT NO. 80C89
SCALE:	SHEET 2	OF 7 SHEETS	STA.	TO STA.

CODE NO.	ITEM	UNIT	TOTAL QUANTITY	CONSTRUCTION CODE			
				80% FED, 20% STATE LAKE COUNTY	80% FED, 20% STATE COOK COUNTY		
				TRAFFIC SIGNALS			
				0021 URBAN			
87301255	ELECTRIC CABLE IN CONDUIT, SIGNAL NO. 14 7C	FOOT	6,307	971	5,336		
87301305	ELECTRIC CABLE IN CONDUIT, LEAD-IN, NO. 14 1 PAIR	FOOT	9,913	1397	8,516		
87301805	ELECTRIC CABLE IN CONDUIT, SERVICE, NO. 6 2 C	FOOT	505		505		
87301900	ELECTRIC CABLE IN CONDUIT, EQUIPMENT GROUNDING CONDUCTOR, NO. 6 1C	FOOT	3,905	415	3,490		
87500600	TRAFFIC SIGNAL POST, 10 FT.	EACH	1		1		
87501200	TRAFFIC SIGNAL POST, 16 FT.	EACH	17	1	16		
87501400	TRAFFIC SIGNAL POST, 18 FT.	EACH	2		2		
87700160	STEEL MAST ARM ASSEMBLY AND POLE, 24 FT.	EACH	1		1		
87700170	STEEL MAST ARM ASSEMBLY AND POLE, 26 FT.	EACH	3		3		
87700180	STEEL MAST ARM ASSEMBLY AND POLE, 28 FT.	EACH	3		3		
87700190	STEEL MAST ARM ASSEMBLY AND POLE, 30 FT.	EACH	1		1		
87700200	STEEL MAST ARM ASSEMBLY AND POLE, 32 FT.	EACH	3		3		
87700210	STEEL MAST ARM ASSEMBLY AND POLE, 34 FT.	EACH	1		1		
87700220	STEEL MAST ARM ASSEMBLY AND POLE, 36 FT.	EACH	1		1		

CODE NO.	ITEM	UNIT	TOTAL QUANTITY	CONSTRUCTION CODE			
				80% FED, 20% STATE LAKE COUNTY	80% FED, 20% STATE COOK COUNTY		
				TRAFFIC SIGNALS			
				0021 URBAN			
87700230	STEEL MAST ARM ASSEMBLY AND POLE, 38 FT.	EACH	2	1	1		
87700240	STEEL MAST ARM ASSEMBLY AND POLE, 40 FT.	EACH	2	1	1		
87700250	STEEL MAST ARM ASSEMBLY AND POLE, 42 FT.	EACH	3		3		
87700260	STEEL MAST ARM ASSEMBLY AND POLE, 44 FT.	EACH	2	1	1		
87700290	STEEL MAST ARM ASSEMBLY AND POLE, 50 FT.	EACH	1		1		
87702840	STEEL COMBINATION MAST ARM ASSEMBLY AND POLE 22 FT.	EACH	1		1		
87702950	STEEL COMBINATION MAST ARM ASSEMBLY AND POLE 44 FT.	EACH	1	1			
87800100	CONCRETE FOUNDATION, TYPE A	FOOT	44		44		
87800400	CONCRETE FOUNDATION, TYPE E 30-INCH DIAMETER	FOOT	188	13.5	174.5		
87800415	CONCRETE FOUNDATION, TYPE E 36-INCH DIAMETER	FOOT	119	39	80		
87900200	DRILL EXISTING HANDHOLE	EACH	73	11	62		
88030020	SIGNAL HEAD, LED, 1-FACE, 3-SECTION, MAST-ARM MOUNTED	EACH	40	7	33		
88030050	SIGNAL HEAD, LED, 1-FACE, 3-SECTION, BRACKET MOUNTED	EACH	35	4	31		
88030070	SIGNAL HEAD, LED, 1-FACE, 4-SECTION, BRACKET MOUNTED	EACH	2		2		

CODE NO.	ITEM	UNIT	TOTAL QUANTITY	CONSTRUCTION CODE			
				80% FED, 20% STATE LAKE COUNTY	80% FED, 20% STATE COOK COUNTY		
				TRAFFIC SIGNALS			
				0021 URBAN			
88030080	SIGNAL HEAD, LED, 1-FACE, 4-SECTION, MAST ARM MOUNTED	EACH	2		2		
88030100	SIGNAL HEAD, LED, 1-FACE, 5-SECTION, BRACKET MOUNTED	EACH	17	4	13		
88030110	SIGNAL HEAD, LED, 1-FACE, 5-SECTION, MAST-ARM MOUNTED	EACH	17	4	13		
88102717	PEDESTRIAN SIGNAL HEAD, LED, 1-FACE, BRACKET MOUNTED WITH COUNTDOWN TIMER	EACH	10	2	8		
88200410	TRAFFIC SIGNAL BACKPLATE, LOUVERED, FORMED PLASTIC	EACH	59	11	48		
88500100	INDUCTIVE LOOP DETECTOR	EACH	28	2	26		
88600100	DETECTOR LOOP, TYPE I	FOOT	1,554	291	1,263		
89501250	RELOCATE EXISTING TRAFFIC SIGNAL EQUIPMENT	EACH	5	1	4		
89502300	REMOVE ELECTRIC CABLE FROM CONDUIT	FOOT	19,630	1555	18,075		
89502350	REMOVE AND REINSTALL ELECTRIC CABLE FROM CONDUIT	FOOT	1,014		1,014		
89502375	REMOVE EXISTING TRAFFIC SIGNAL EQUIPMENT	EACH	7	1	6		
89502376	REBUILD EXISTING HANDHOLE	EACH	1		1		
89502380	REMOVE EXISTING HANDHOLE	EACH	10	3	7		
89502385	REMOVE EXISTING CONCRETE FOUNDATION	EACH	32	4	28		

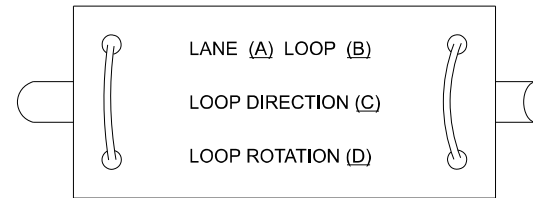
CODE NO.	ITEM	UNIT	TOTAL QUANTITY	CONSTRUCTION CODE			
				80% FED, 20% STATE LAKE COUNTY	80% FED, 20% STATE COOK COUNTY		
				TRAFFIC SIGNALS			
				0021 URBAN			
X0324085	EMERGENCY VEHICLE PRIORITY SYSTEM LINE SENSOR CABLE, NO. 20 3/C	FOOT	1,425	362	1,063		
X1400102	OUTDOOR RATED NETWORK CABLE	FOOT	322	104	218		
X1400150	SERVICE INSTALLATION, GROUND MOUNTED, METERED	EACH	4		4		
X1400367	PEDESTRIAN SIGNAL POST, 10 FT.	EACH	3		3		
X6700407	ENGINEER'S FIELD OFFICE, TYPE A (D1)	CAL MO	12	1.5	10.5		
X7200061	TEMPORARY INFORMATION SIGNING	SQ FT	359.8	51.4	308.4		
X8040108	ELECTRIC METER	EACH	1	1			
X8570215	FULL-ACTUATED CONTROLLER IN EXISTING CABINET	EACH	56	1	55		
X8570224	FULL-ACTUATED CONTROLLER AND TYPE IV STRETCHED CABINET	EACH	1		1		
X8570227	FULL-ACTUATED CONTROLLER AND TYPE IV STRETCHED CABINET (SPECIAL)	EACH	1		1		
X8620250	UNINTERRUPTABLE POWER SUPPLY AND CABINET (SPECIAL)	EACH	3	1	2		
X8760200	ACCESSIBLE PEDESTRIAN SIGNALS	EACH	10	2	8		
X8780012	CONCRETE FOUNDATION, TYPE A 12-INCH DIAMETER	FOOT	12		12		
X8809005	LED SIGNAL FACE, LENS COVER	EACH	113	19	94		

TRAFFIC SIGNAL LEGEND

ITEM	EXISTING	PROPOSED	ITEM	EXISTING	PROPOSED	ITEM	EXISTING	PROPOSED
Traffic Signal Cabinet			Handhole			Signal Head		
Uninterruptable Power Supply			-Square			-(P) Programmable Signal Head		
Communication Cabinet			-Round			-(EV) Elongated Visors		
Master Controller			Double Handhole			Signal Head with Backplate		
Master Master Controller			Heavy Duty Handhole			-(RB) Retroreflective Backplate		
Service Installation			-Square			-(P) Programmable Signal Head		
-(P) Pole Mounted			-Round			-(EV) Elongated Visors		
Service Installation			Junction Box			Pedestrian Signal Head		
-(G) Ground Mounted			Railroad Cantilever Mast Arm			with Countdown Timer		
-(GM) Ground Mounted Metered			Railroad Flashing Signal			Illuminated LED Sign		
Cellular Modem			Railroad Crossing Gate			"NO LEFT TURN"/"NO RIGHT TURN"		
Telephone Connection			Railroad Crossbuck			Electric Cable, Signal, No. 14 -		
Steel Mast Arm Assembly and Pole			Railroad Controller Bungalow			2/C, 3/C, 5/C, 7/C		
Aluminum Mast Arm Assembly and Pole			Underground Conduit (UC), Galvanized Steel			Electric Cable, Lead-In, No. 14, 1 Pair		
Steel Combination Mast Arm Assembly and Pole with Luminaire			Temporary Span Wire, Tether Wire, and Cable			Service Cable, 2/C -		
Signal Post			System Item			No. 2, No. 4, No. 6		
-(BM) Barrel Mounted - Temporary			Intersection Item			Ground Cable		
Wood Pole			Removal Item			No. 6 Solid Copper (Green), 1/C		
Guy Wire			Relocate Item			Electric Cable, Tracer, No. 14, 1/C		
Signal Head			Abandon Item			Railroad No. 14 3/C		
Signal Head with Backplate			Controller Cabinet and Foundation to be Removed			SOOW		
Signal Head - Programmable			Mast Arm Pole and Foundation to be Removed			Electric Cable, Street Name Sign		
Flasher Installation			Signal Post and Foundation to be Removed			No. 14, 3/C, Type SOOW		
-(FS) Solar Powered			Detector Loop, Type I			Vendor Cable		
Pedestrian Signal Head			Preformed Detector Loop			Emergency Vehicle Priority Line		
Pedestrian Push Button			Wireless Detector Sensor			Sensor Cable, No. 20, 3/C		
-(APS) Accessible Pedestrian Push Button						Outdoor Rated Network Cable		
Radar Detection Sensor						Fiber Optic Cable		
Video Detection Camera						-12F: 12 Multimode		
Radar/Video Detection Zone						-24F: 12 Multimode / 12 Single Mode		
Pan, Tilt, Zoom (PTZ) Camera						-36F: 12 Multimode / 24 Single Mode		
Emergency Vehicle Light Detector						-24SM: 24 Single Mode		
Confirmation Beacon						-48SM: 48 Single Mode		
Wireless Interconnect						Ground Rod		
Wireless Interconnect Radio Repeater						-(C) Controller		
Wireless Access Point						-(M) Mast Arm		
						-(P) Post		
						-(S) Service		

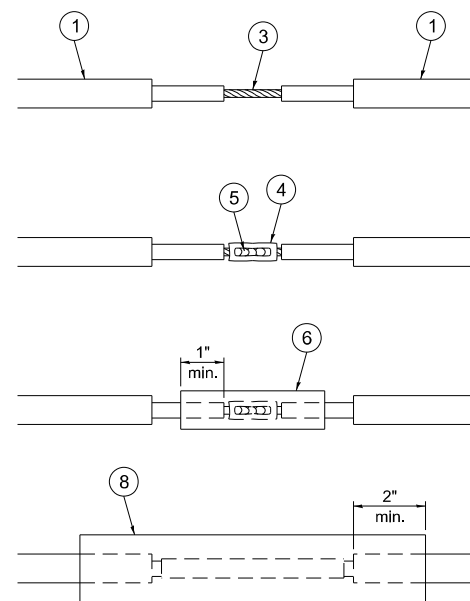
DETECTOR LOOP NOTES:

1. LOOPS SHALL BE SPLICED IN SERIES.
2. SAW-CUTS SHALL BE A MINIMUM WIDTH OF 5/16" AT A DEPTH OF 3". IF IN CONCRETE, THE SAW-CUT DEPTH SHALL BE TO THE TOP OF THE REINFORCEMENT.
3. LOOP CORNERS SHALL BE DRILLED WITH A 2" DIAMETER CORE.
4. EACH PAIR OF LOOP WIRES SHALL BE PLACED IN A SEPARATE EMPTY COILABLE NON-METALLIC CONDUIT FROM THE EDGE OF PAVEMENT TO THE HANDHOLE. SPACING BETWEEN THE HOLES DRILLED IN THE PAVEMENT SHALL NOT BE LESS THAN 6". EMPTY COILABLE NON-METALLIC CONDUIT SHALL BE INCLUDED IN THE COST OF THE DETECTOR LOOP PAY ITEM.
5. THE NUMBER OF LOOP TURNS SHALL BE AS RECOMMENDED BY THE AMPLIFIER MANUFACTURER. ALL ADJACENT SIDES OF THE LOOPS SHALL BE INSTALLED IN SUCH A WAY THAT THE CURRENT FLOW IS IN THE SAME DIRECTION TO REINFORCE ITS MAGNETIC FIELDS FOR SMALL VEHICLE DETECTION.
6. EACH LEAD-IN CABLE SHALL BE IDENTIFIED AND PERMANENTLY TAGGED IN THE HANDHOLE. EACH LEAD-IN CABLE TAG SHALL INDICATE THE LOCATION OF THE LOOP, LOOP NUMBER, LOOP DIRECTION (IN OR OUT), AND LOOP ROTATION (CLOCKWISE/COUNTERCLOCKWISE) IN WATER PROOF INK. SEE DETECTOR LOOP LEAD-IN CABLE TAG DETAIL. THE CONTRACTOR SHALL MARK THE LOOP LOCATIONS ON THE RECORD DRAWINGS AND PRESENT THEM TO THE ENGINEER AFTER THE FINAL INSPECTION.
7. ALL LOOP CABLE SHALL BE FASTENED WITH PLASTIC TIE WRAP TO THE HANDHOLE HOOKS.
8. IN ASPHALT PAVEMENT, LOOPS SHOULD BE PLACED IN THE BINDER AND THE DIVE HOLES MARKED AT THE CURB WITH A SAW-CUT. THE SAW-CUT SHALL BE CUT IN ACCORDANCE WITH LOCAL AND E.P.A. DUST CONTROL REQUIREMENTS. DETECTOR LOOP(S) SHALL NOT BE INSTALLED IN WET CONDITIONS AND THE SAW-CUTS MUST BE FREE OF DEBRIS AND RESIDUE SUCH AS DUST AND WATER WHICH IS TO BE ACHIEVED BY THE USE OF COMPRESSED AIR, WIRE BRUSHING AND HEAT DRYING ACCORDING TO SEALANT MANUFACTURER REQUIREMENTS. THE DETECTOR WIRE SHALL BE HELD IN PLACE BY THE USE OF FORM WEDGES. WEDGES SHALL BE SPACED NO MORE THAN 18" APART.
9. LOOP SPLICES SHALL BE SOLDERED USING A SOLDERING IRON. BLOW TORCHES OR OTHER DEVICES WHICH OXIDIZE COPPER CABLE SHALL NOT BE ALLOWED FOR SOLDERING OPERATIONS.
10. PREFORMED DETECTOR LOOPS SHALL BE USED WHERE NEW CONCRETE PAVEMENT IS PROPOSED. THE INSTALLATION OF PREFORMED LOOPS SHALL BE IN ACCORDANCE WITH THE DISTRICT 1 SPECIFICATIONS OR AS DIRECTED BY THE ENGINEER.



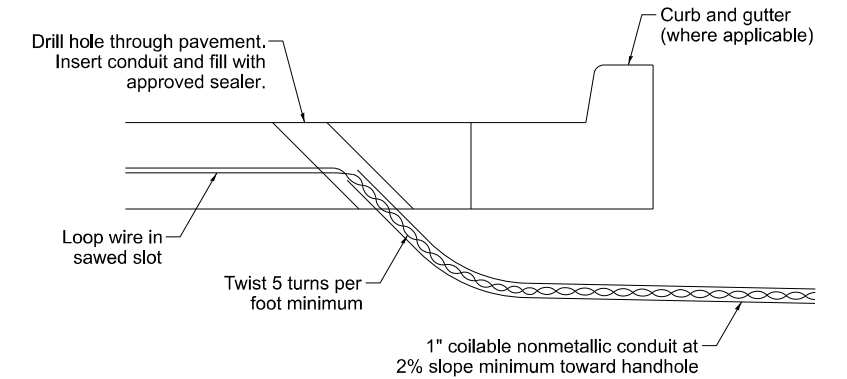
- A. Lane 1 is the lane closest to the centerline of the roadway.
- B. Loop #1 is the loop closest to the intersection.
- C. Label loop cable "in" or loop cable "out".
- D. Label loop cable clockwise or loop cable counterclockwise.

DETECTOR LOOP LEAD-IN CABLE TAG

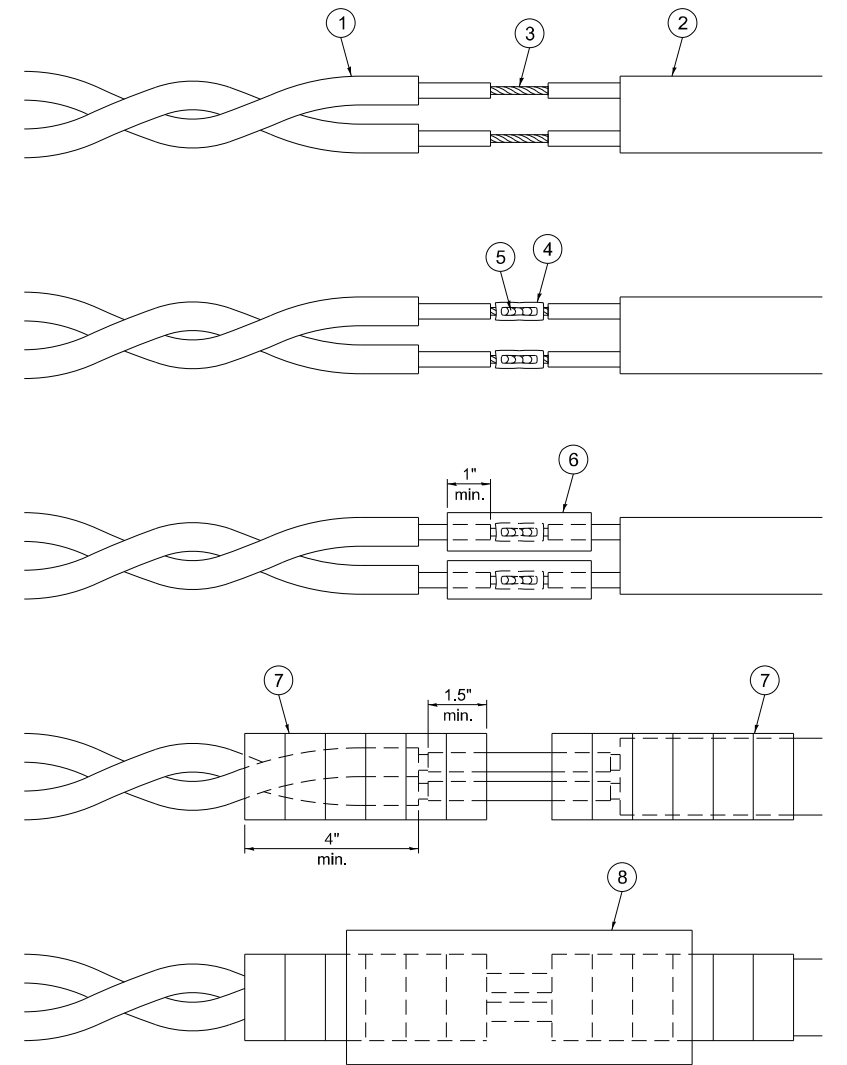


LOOP-TO-LOOP SPLICE DETAIL

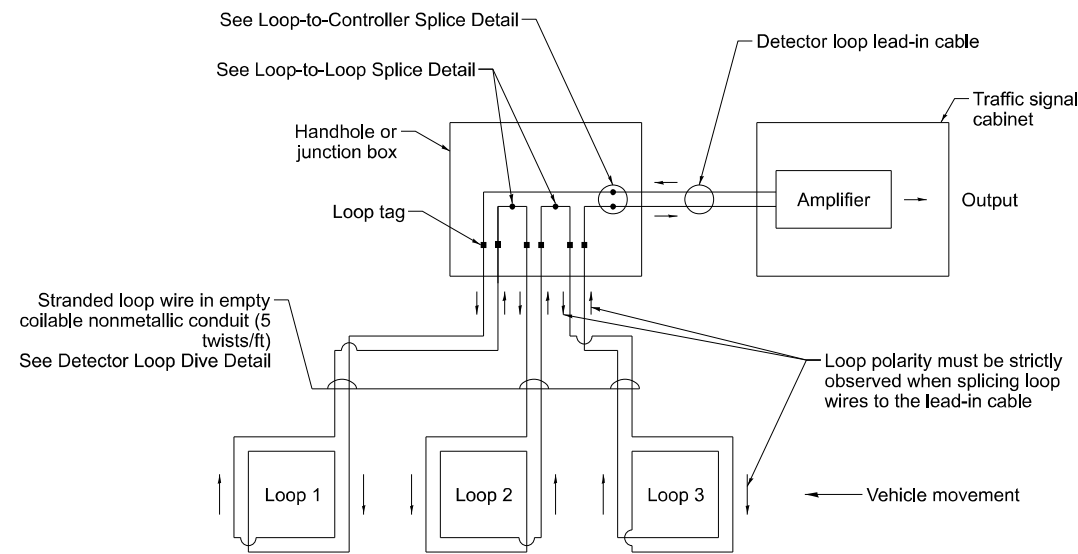
- 1 Detector loop cable.
- 2 Detector loop lead-in cable
- 3 Bare conductors twisted together.
- 4 Butt splice crimp connector.
- 5 Splice soldered with rosin core flux. All exposed surfaces of the solder shall be smooth. The splices shall be staggered.
- 6 WCSMW 30/100 heat shrink tube, 3" minimum length, underwater grade.
- 7 Self-infused, silicone electrical tape tightly wrapped around cables.
- 8 WCS 200/750 heat shrink tube, 8" minimum length, underwater grade.



DETECTOR LOOP DIVE DETAIL



LOOP-TO-CONTROLLER SPLICE DETAIL



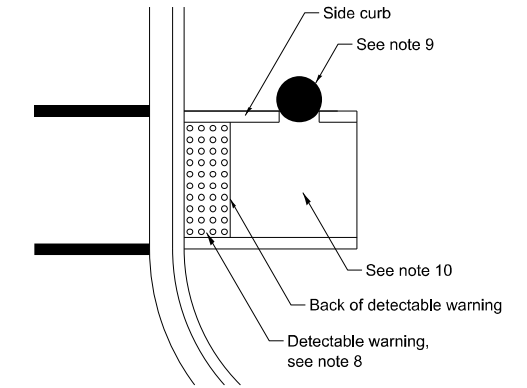
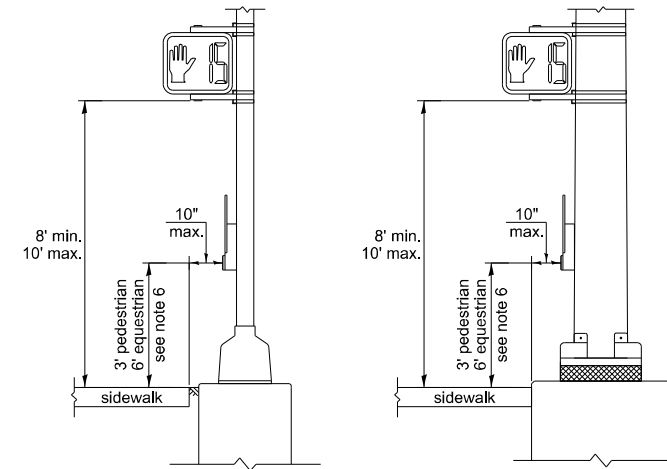
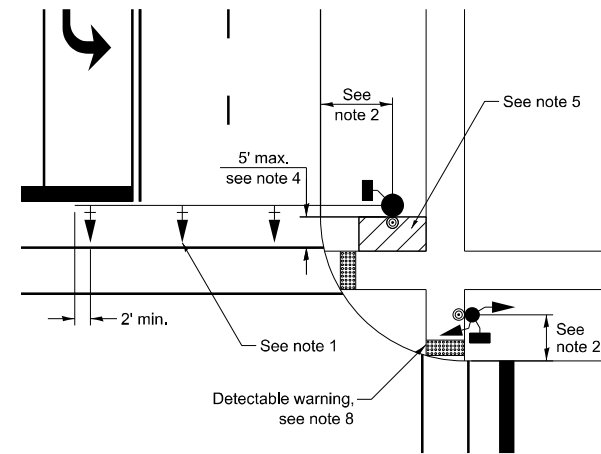
DETECTOR LOOP WIRING SCHEMATIC

USER NAME = lovan,plascencia	DESIGNED - IP	REVISED -	STATE OF ILLINOIS DEPARTMENT OF TRANSPORTATION	DISTRICT 1 STANDARD TRAFFIC SIGNAL DESIGN DETAILS	F.A. RTE.	SECTION	COUNTY	TOTAL SHEETS	SHEET NO.	
	DRAWN - IP	REVISED -			VAR	2026-2160-TS	VARIOUS	58	15	
	CHECKED - NB/KK	REVISED -			TS-01		CONTRACT NO. 80C89			
PLOT DATE =	DATE - 10/15/2025	REVISED -			ILLINOIS	FED. AID PROJECT				
			SCALE: NTS	SHEET 2 OF 7 SHEETS	STA.	TO STA.				

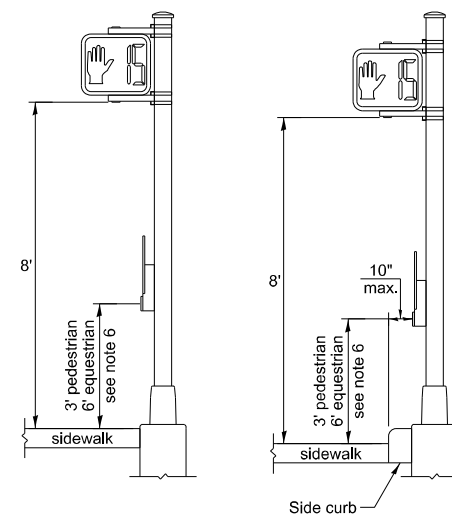
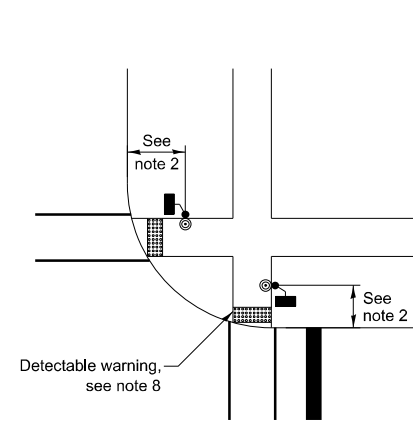
NOTES:

1. THE MAST ARM MOUNTED SIGNAL HEADS SHALL BE CENTERED ON THE LANES OR AS SHOWN ON THE TRAFFIC SIGNAL PLANS.
2. REFER TO THE TRAFFIC SIGNAL EQUIPMENT OFFSET MINIMUMS TABLE.
3. A 4' MINIMUM UNOBSTRUCTED PEDESTRIAN ACCESS ROUTE SHALL BE MAINTAINED.
4. THE PUSH-BUTTON SHALL BE LOCATED 5' OR LESS FROM THE OUTSIDE EDGE OF THE MARKED CROSSWALK FARTHEST FROM THE INTERSECTION FOR THE CROSSWALK THAT THE PUSH-BUTTON CONTROLS.
5. IF THE MAST ARM POLE OR SIGNAL POST WHERE THE PUSH-BUTTON IS TO BE INSTALLED IS NOT IMMEDIATELY ADJACENT TO THE SIDEWALK, PROVIDE A FIRM, STABLE, AND SLIP RESISTANT SURFACE UP TO THE MAST ARM POLE OR SIGNAL POST. THE MINIMUM PAVED AREA IN FRONT OF THE PUSH-BUTTON SHALL BE 2.5' X 4'. IF THIS DOES NOT MEET THE REQUIREMENT STATED IN NOTE 3, A SEPARATE PEDESTRIAN SIGNAL POST SHALL BE INSTALLED TO PLACE THE PUSH-BUTTON ADJACENT TO THE SIDEWALK SURFACE.
6. THE HEIGHT OF THE PEDESTRIAN PUSH-BUTTON SHALL BE 36". IF APPROVED BY THE AREA TRAFFIC SIGNAL ENGINEER, THE PUSH-BUTTON MAY BE LOCATED AT A HEIGHT BETWEEN 30" AND 42". THE HEIGHT OF THE EQUESTRIAN PUSH-BUTTON SHALL BE 72" OR AS DIRECTED BY THE ENGINEER.
7. THE FACE OF THE PUSH-BUTTON SHALL BE PARALLEL TO THE CROSSWALK IT CONTROLS.
8. THE PUSH-BUTTON SHALL BE LOCATED BEHIND THE DETECTABLE WARNING.
9. WHERE A PUSH-BUTTON IS BEING INSTALLED ON A MAST ARM POLE OR SIGNAL POST ADJACENT TO THE PEDESTRIAN ACCESS ROUTE, THE PROPOSED FOUNDATION SHALL BE INSTALLED WITHIN THE SIDE CURB IN ORDER TO MEET THE 10" REACH REQUIREMENT.
10. THE SIDEWALK PANEL IN FRONT OF THE PUSH-BUTTON SHALL HAVE A SLOPE LESS THAN 5%.
11. WHERE TWO PEDESTRIAN PUSH-BUTTONS ARE PROVIDED ON THE SAME CORNER, THEY SHALL BE 10' OR MORE APART. EXCEPTION: IN ALTERATIONS WHERE TECHNICALLY INFEASIBLE TO PROVIDE 10' SEPARATION BETWEEN PUSH-BUTTONS ON THE SAME CORNER.
12. CORRESPONDING PEDESTRIAN EQUIPMENT (SIGNAL HEAD AND PUSH-BUTTON) SHALL BE INSTALLED ON THE SAME POST CLOSEST TO THE CROSSWALK IT CONTROLS.
13. PEDESTRIAN SIGNAL HEADS INSTALLED ON MAST ARM POLES OR SIGNAL POSTS SHALL BE MOUNTED WITH THE BOTTOM OF THE SIGNAL HOUSING (INCLUDING BRACKETS) NOT LESS THAN 8' OR MORE THAN 10' ABOVE SIDEWALK LEVEL. PEDESTRIAN SIGNAL HEADS INSTALLED ON PEDESTRIAN SIGNAL POSTS SHALL BE MOUNTED WITH THE BOTTOM OF THE SIGNAL HOUSING (INCLUDING BRACKETS) NOT LESS THAN 8' ABOVE SIDEWALK LEVEL. THE PEDESTRIAN SIGNAL HEADS SHALL BE POSITIONED AND ADJUSTED TO PROVIDE MAXIMUM VISIBILITY AT THE BEGINNING OF THE CONTROLLED CROSSWALK.
14. THE LOCATIONS OF THE PEDESTRIAN PUSH-BUTTONS AND PEDESTRIAN SIGNAL HEADS SHALL MEET THE REQUIREMENTS OF THE MUTCD, PROWAG, AND THE REQUIREMENTS ON THIS DETAIL SHEET.

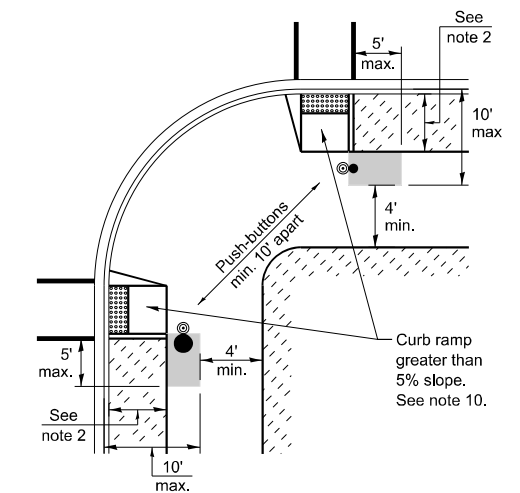
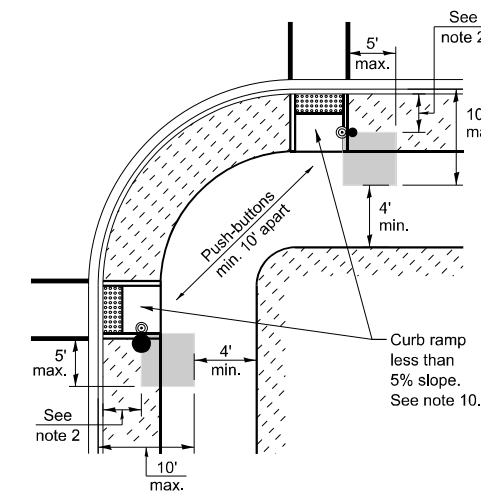
TRAFFIC SIGNAL MAST ARM AND SIGNAL POST



PEDESTRIAN SIGNAL POST



PUSH-BUTTON LOCATIONS

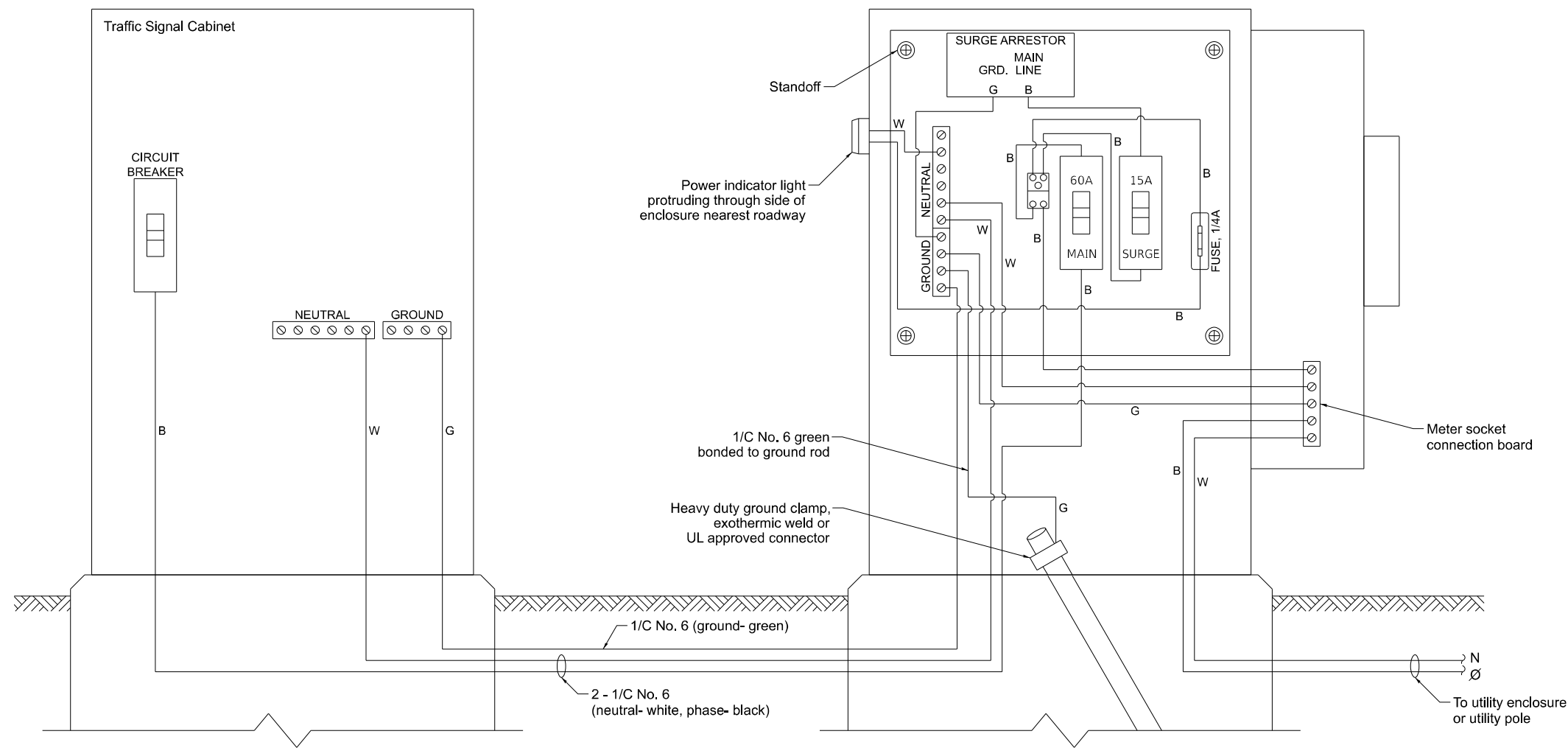


TRAFFIC SIGNAL EQUIPMENT	BARRIER CURB (MINIMUM DISTANCE FROM THE BACK OF CURB TO THE CENTER OF THE FOUNDATION)	SHOULDER / NON-BARRIER CURB (MINIMUM DISTANCE FROM THE EDGE LINE OF THE RIGHT-MOST LANE TO THE CENTER OF THE FOUNDATION)
Mast arm assembly and pole	6'	Shoulder width + 2', minimum 10'
Signal post	4'	Shoulder width + 2', minimum 10'
Pedestrian signal post	4'	4' - See note 2
Temporary wood pole	6'	Shoulder width + 2', minimum 10'
Traffic signal cabinet	6' - See Note 3	Shoulder width + 6', minimum 16' - See note 3
Service cabinet	6' - See Note 3	Shoulder width + 6', minimum 16' - See note 3

TRAFFIC SIGNAL EQUIPMENT OFFSET MINIMUMS

NOTES:

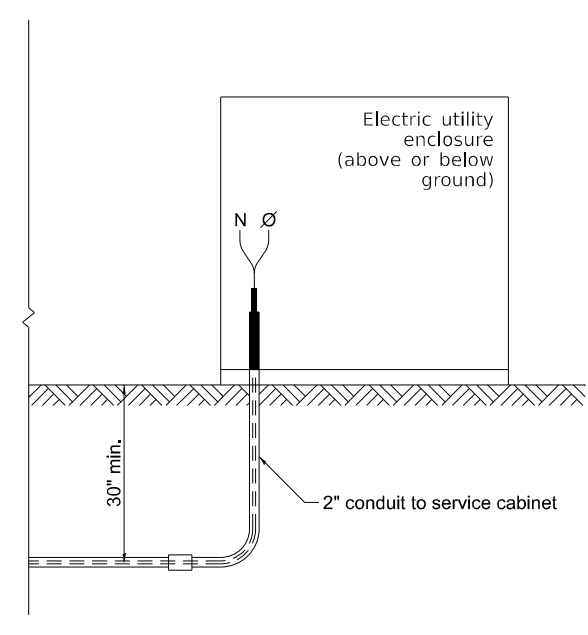
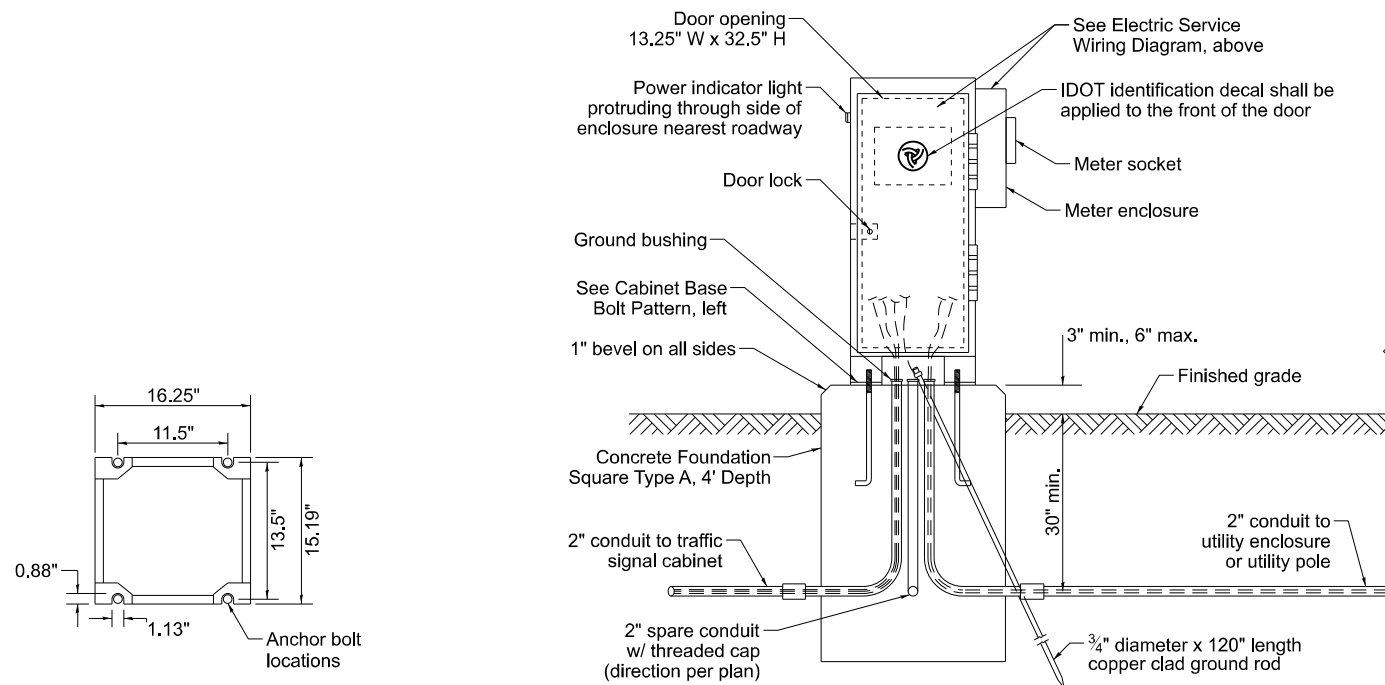
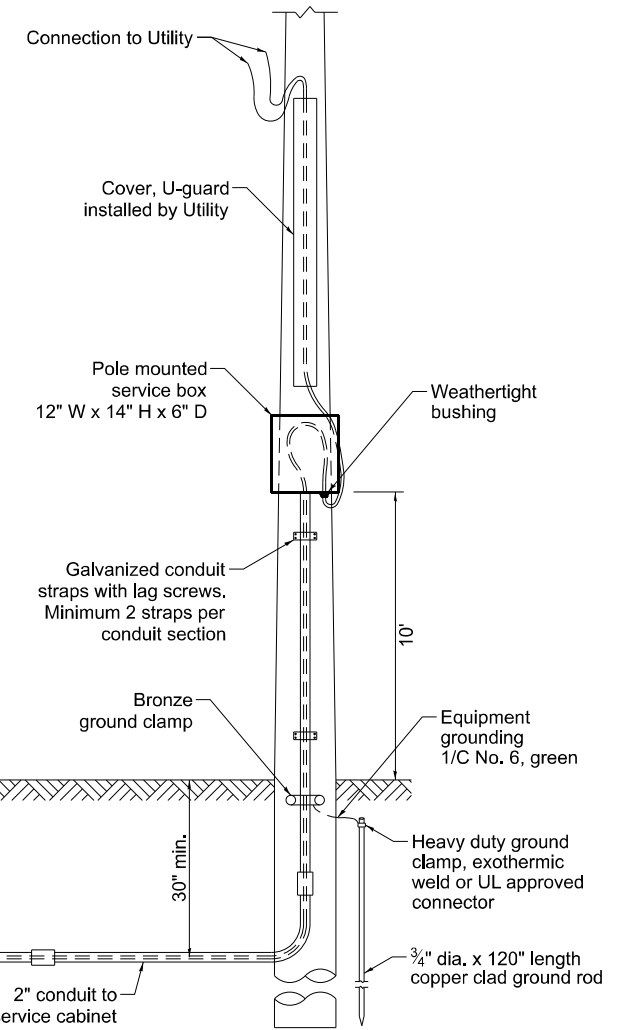
1. CONTACT THE AREA TRAFFIC SIGNAL ENGINEER FOR ASSISTANCE LOCATING THE TRAFFIC SIGNAL EQUIPMENT WHEN THERE ARE CONFLICTS AND THE MINIMUM OFFSET DISTANCES CANNOT BE MET.
2. MINIMUM DISTANCE FROM THE BACK OF THE DETECTABLE WARNING.
3. MINIMUM DISTANCE TO THE ROADWAY SIDE OF THE FOUNDATION.
4. ANY CHANGES TO THE OFFSETS OF THE FOUNDATIONS FROM THE MINIMUM DISTANCES LISTED IN THE "TRAFFIC SIGNAL EQUIPMENT OFFSET" TABLE AND THE TRAFFIC SIGNAL PLAN COULD AFFECT THE PLACEMENT OF THE TRAFFIC SIGNAL HEADS, PEDESTRIAN SIGNAL HEADS, AND THE PEDESTRIAN PUSH-BUTTONS. THE SIGNAL HEAD PLACEMENT ON THE MAST ARMS SHALL REMAIN AS PER THE TRAFFIC SIGNAL PLAN AND THE "TRAFFIC SIGNAL MAST ARM AND SIGNAL POST" DETAIL ABOVE. THE PROPOSED MAST ARM LENGTHS MAY NEED TO BE REVISED TO MEET THESE REQUIREMENTS. THE LOCATIONS OF THE PEDESTRIAN PUSH-BUTTONS AND PEDESTRIAN SIGNAL HEADS SHALL MEET THE REQUIREMENTS OF THE MUTCD, PROWAG, AND THE REQUIREMENTS ON THIS DETAIL SHEET.



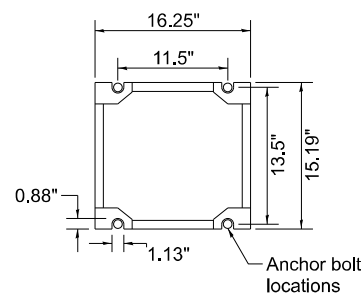
NOTES:

1. THE GROUND MOUNTED SERVICE CABINET IS TO BE LOCATED BETWEEN THE TRAFFIC SIGNAL CABINET AND THE UTILITY CONNECTION, PREFERABLY 20' TO 50' FROM THE TRAFFIC SIGNAL CONTROLLER CABINET.
2. ELECTRIC SERVICE PANELS SHALL BE CONSTRUCTED TO UL STD. 508, INDUSTRIAL CONTROL PANEL, AND CARRY THE UL LABEL.
3. ALL WIRING SHALL BE NEATLY DRESSED AND SUPPORTED.
4. THE METER SOCKET IS TO BE PROVIDED BY THE CONTRACTOR. THE METER IS TO BE PROVIDED BY THE UTILITY COMPANY.

ELECTRIC SERVICE WIRING DIAGRAM IN GROUND MOUNTED SERVICE CABINET



CABINET BASE BOLT PATTERN

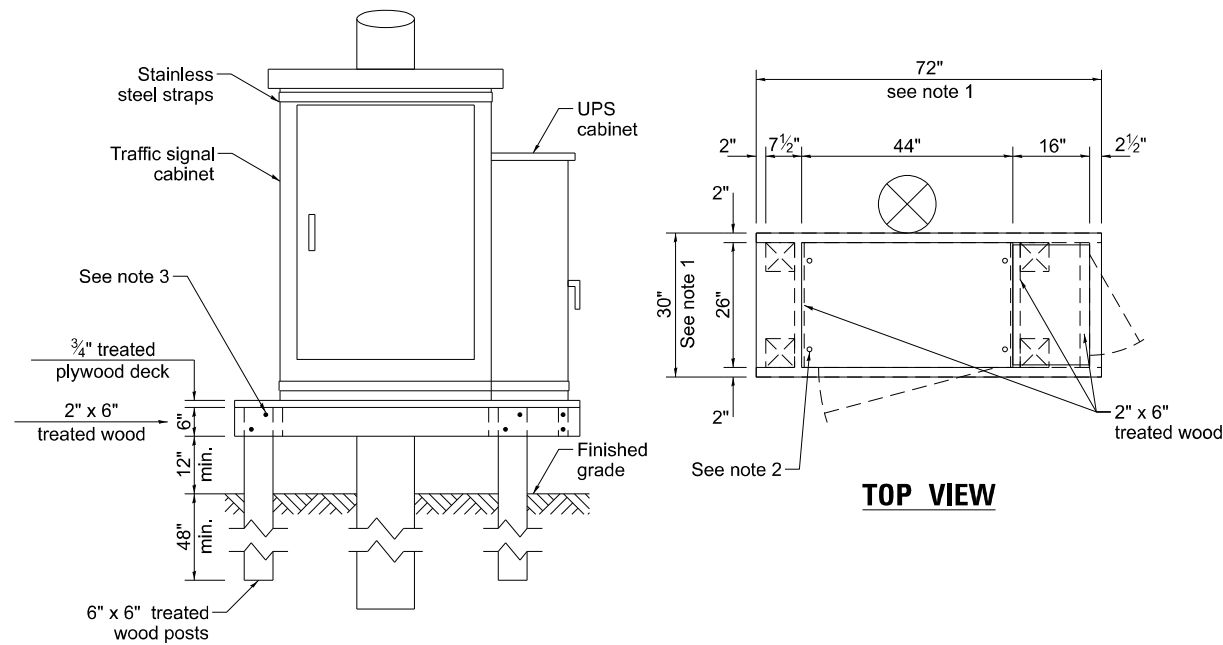


SERVICE INSTALLATION - GROUND MOUNTED WITH METER

CONNECTION TO UTILITY ENCLOSURE

CONNECTION TO UTILITY POLE

USER NAME = lovan,plascencia DRAWN - IP CHECKED - NB/KK PLOT DATE =	DESIGNED - IP	REVISED -	STATE OF ILLINOIS DEPARTMENT OF TRANSPORTATION	DISTRICT 1 STANDARD TRAFFIC SIGNAL DESIGN DETAILS	F.A. RTE.	SECTION	COUNTY	TOTAL SHEETS	SHEET NO.	
	DATE - 10/15/2025	REVISED -			VAR	2026-2160-TS	VARIOUS	58	17	
					TS-01		CONTRACT NO. 80C89			
					ILLINOIS FED. AID PROJECT					
				SCALE: NTS	SHEET 4	OF 7	SHEETS	STA.	TO STA.	



NOTES:

1. THE PLATFORM SIZE IS BASED ON A TRAFFIC SIGNAL CABINET TYPE IV WITH BASE DIMENSIONS OF 26" x 44" AND UNINTERRUPTABLE POWER SUPPLY CABINET WITH BASE DIMENSIONS OF 16" x 25". ADJUST THE PLATFORM SIZE TO FIT THE BASE DIMENSIONS OF THE CABINET SUPPLIED.
2. DRILLED HOLES THROUGH THE PLATFORM ARE TO MATCH THE TRAFFIC SIGNAL CABINET BOLT TEMPLATE. THE CABINET SHALL BE FASTENED TO THE PLATFORM WITH CARRIAGE BOLTS, WASHERS, AND NUTS.
3. ALL WOOD SUPPORT FRAMING SHALL BE FASTENED TO THE WOOD POSTS WITH 2 LAG SCREWS FOR EACH CONNECTION.

TEMPORARY TRAFFIC SIGNAL CABINET WOOD SUPPORT PLATFORM

MAST ARM LENGTH	Foundation Depth	Foundation Diameter	Spiral Diameter	Quantity of Rebars	Size of Rebars
Less than 30'	10'	30"	24"	8	#6
Greater than or equal to 30' and less than 40'	13.5'	30"	24"	8	#6
	11'	36"	30"	12	#7
Greater than or equal to 40' and less than 50'	13'	36"	30"	12	#7
Greater than or equal to 50' and up to 55'	15'	36"	30"	12	#7
Greater than or equal to 56' and less than 65'	21'	42"	36"	16	#8
Greater than or equal to 65' and up to 75'	25'	42"	36"	16	#8

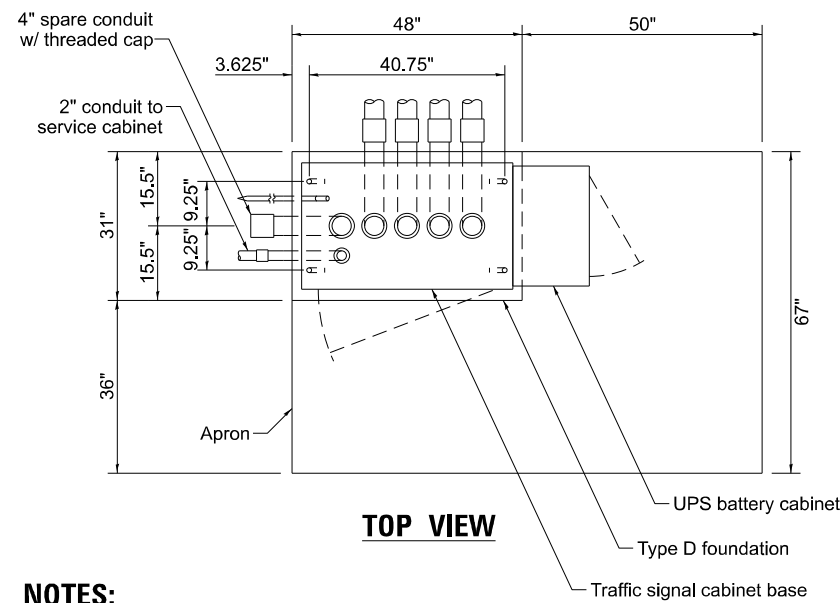
DEPTH OF MAST ARM FOUNDATIONS, TYPE E

TYPE E FOUNDATION NOTES:

1. FOR STANDARD AND COMBINATION MAST ARM ASSEMBLIES, FOUNDATION DEPTHS FOR STANDARD DUAL MAST ARMS WITH THE LONGEST ARM LENGTH UP TO AND INCLUDING 55' SHALL BE INCREASE BY 1' OF THAT SHOWN IN THE TABLE, BASED ON THE LONGER OF THE TWO ARMS.
2. SEE STATE STANDARD 878001 CONCRETE FOUNDATION DETAILS FOR MORE INFORMATION.

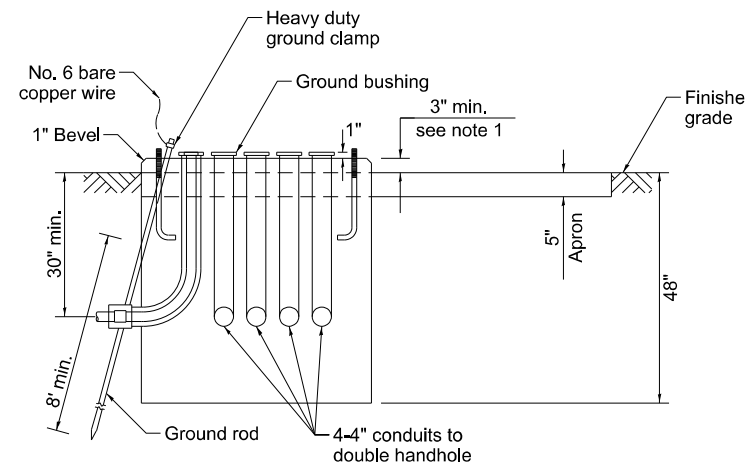
FOUNDATION	DEPTH
Type A - Signal post, service cabinet	4'
Type C - Traffic signal cabinet with UPS	4'
Type D - Traffic signal cabinet	4'

DEPTH OF FOUNDATIONS TYPES A, C & D

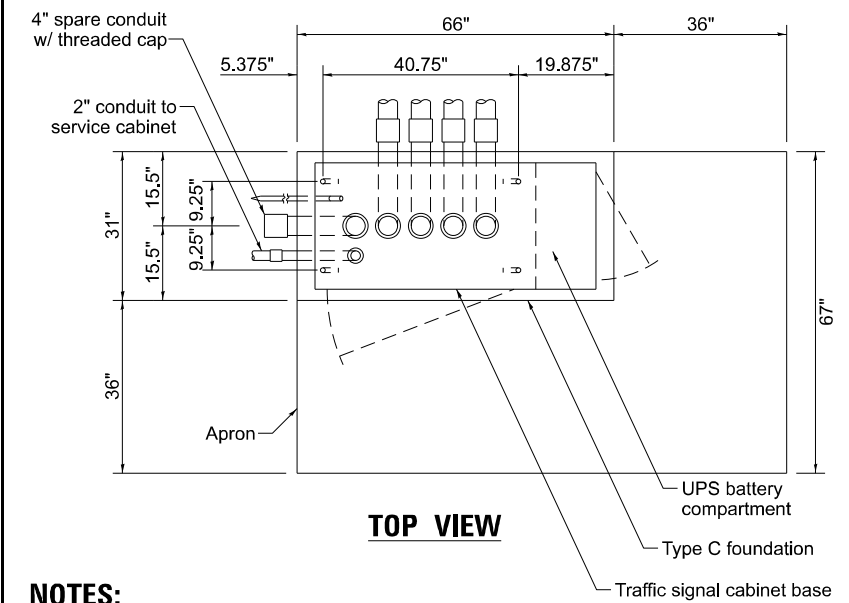


NOTES:

1. THE TOP OF THE FOUNDATION SHALL BE HIGHER THAN THE TOP OF THE DOUBLE HANDHOLE.

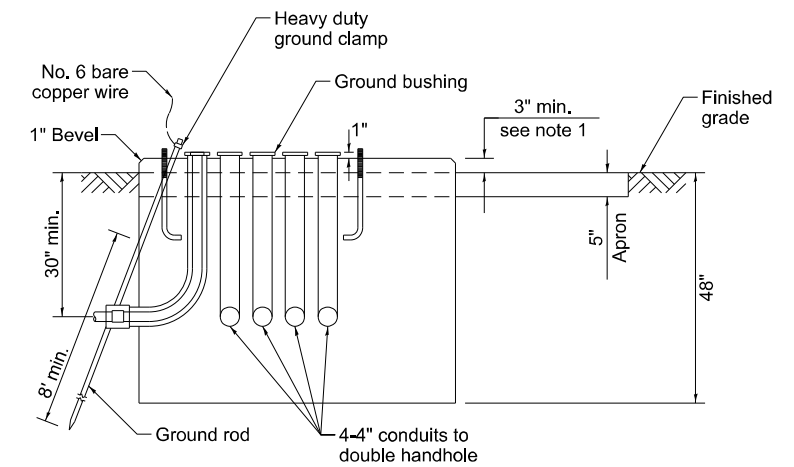


TYPE D FOUNDATION TYPE IV AND TYPE V TRAFFIC SIGNAL CABINET AND UPS BATTERY CABINET



NOTES:

1. THE TOP OF THE FOUNDATION SHALL BE HIGHER THAN THE TOP OF THE DOUBLE HANDHOLE.



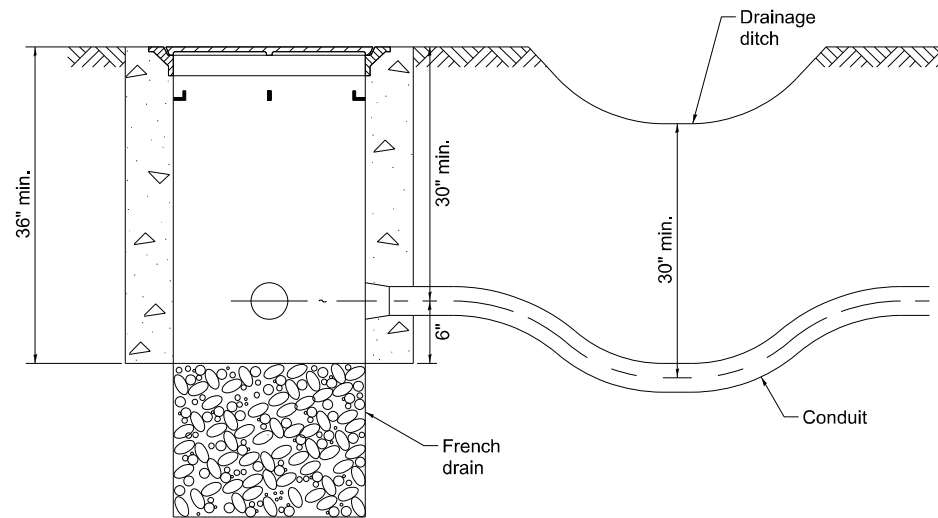
TYPE C FOUNDATION SUPER P AND SUPER R TRAFFIC SIGNAL CABINETS

VERTICAL CABLE	LENGTH
Mast arm mounted signal head (L = mast arm length - distance to signal head from end of arm)	20'+L
Bracket mounted signal head (mast arm pole or signal pole)	13'
Pedestrian signal head	10'
Pedestrian push button	6'
Service installation pole mount to service drop	13.5'
Service installation pole mount to ground	13.5'
Service installation ground mount	6'
Foundation (signal post, mast arm, traffic signal cabinet, service cabinet)	3'

VERTICAL CABLE LENGTH

CABLE SLACK	LENGTH
Handhole	6.5'
Double handhole	13'
Signal post	2'
Mast arm	2'
Traffic signal cabinet or service cabinet	1.5'
Fiber optic cable at traffic signal cabinet	13'
Ground cable at signal post, mast arm, or cabinet	1.5'
Ground cable at handhole or double handhole	6.5'
Ground cable between handhole frame and cover	5'

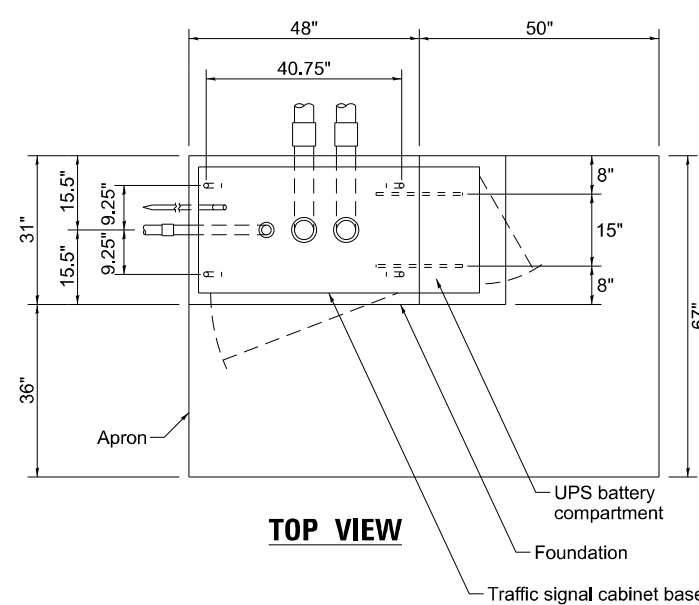
CABLE SLACK LENGTH



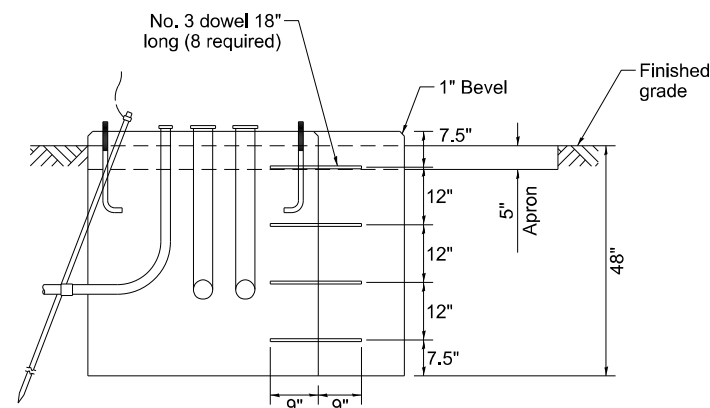
NOTES:

1. THE CONDUIT DEPTH SHALL BE A MINIMUM OF 30" BELOW THE BOTTOM OF THE DRAINAGE DITCH OR ANY SLOPING GROUND.
2. THE MINIMUM CONDUIT DEPTH APPLIES TO ALL CONDUIT PLACED UNDER ROADWAY PAVEMENT, MULTI-USE PATHS, SIDEWALKS AND SOIL SURFACES.
3. THE MINIMUM CONDUIT DEPTH APPLIES TO ALL HANDHOLES, HEAVY DUTY HANDHOLES AND DOUBLE HANDHOLES.

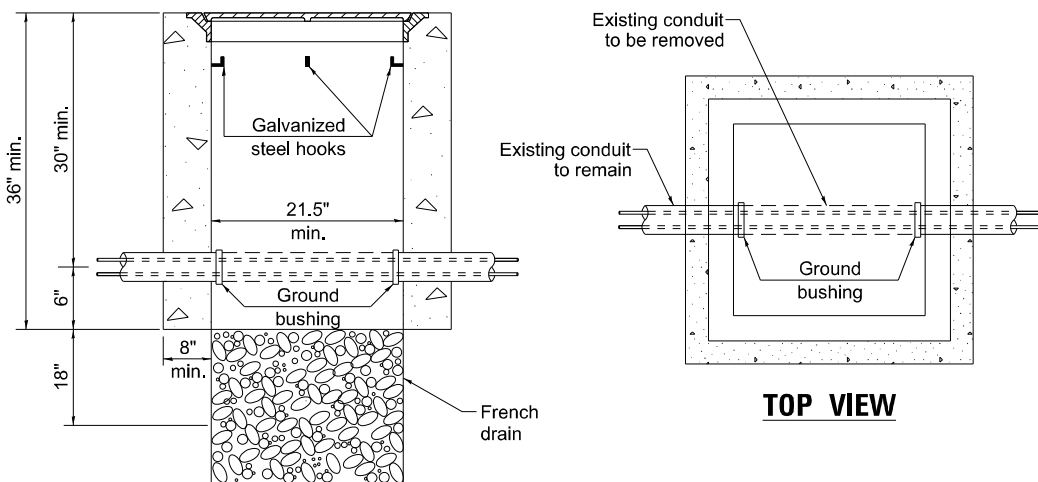
HANDHOLE WITH MINIMUM CONDUIT DEPTH



TOP VIEW



MODIFY EXISTING TYPE "D" FOUNDATION TO TYPE "C" FOUNDATION

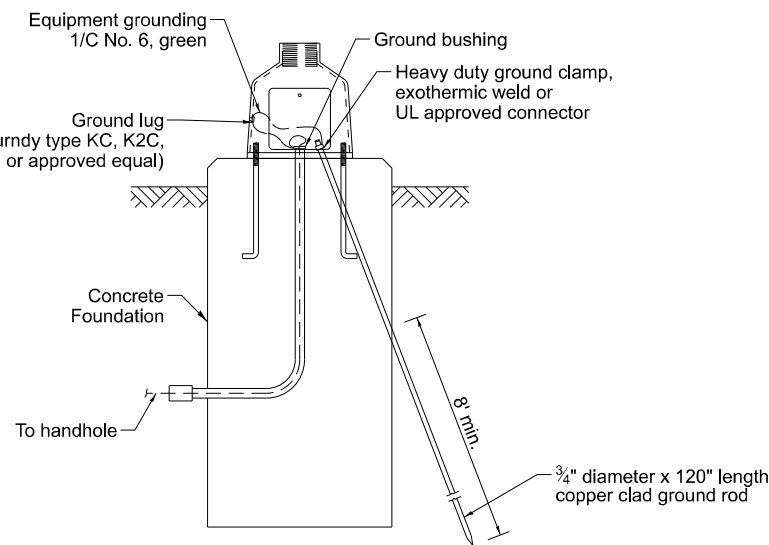


TOP VIEW

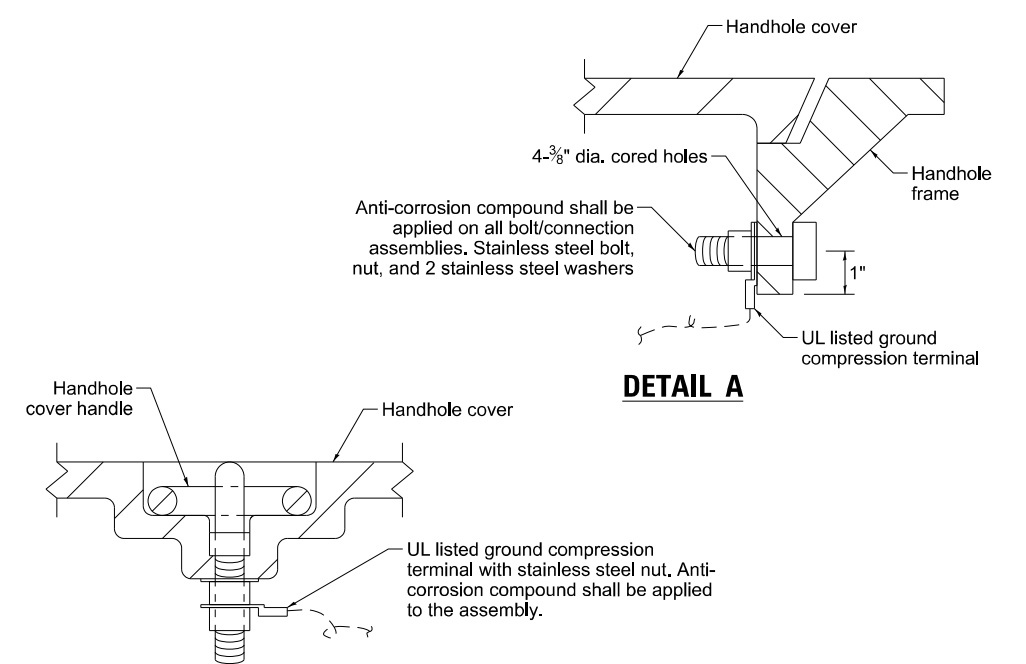
NOTES:

1. HANDHOLE CONSTRUCTED PER STATE STANDARD 814001.
2. REMOVAL OF THE EXISTING CONDUIT FROM THE HANDHOLE AND THE INSTALLATION OF THE CONDUIT BUSHINGS SHALL BE INCLUDED WITH THE COST OF THE HANDHOLE.

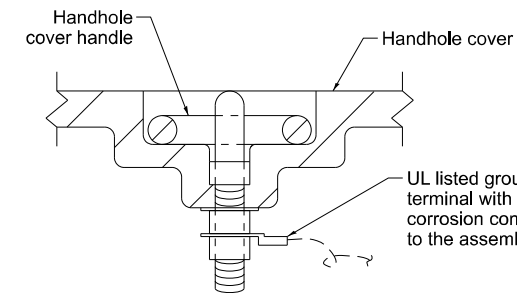
HANDHOLE TO INTERCEPT EXISTING CONDUIT



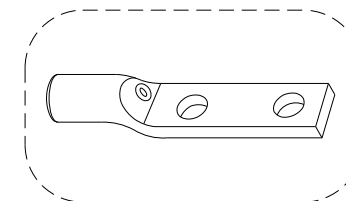
MAST ARM / POST GROUNDING DETAIL



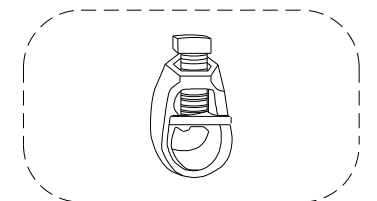
DETAIL A



DETAIL B



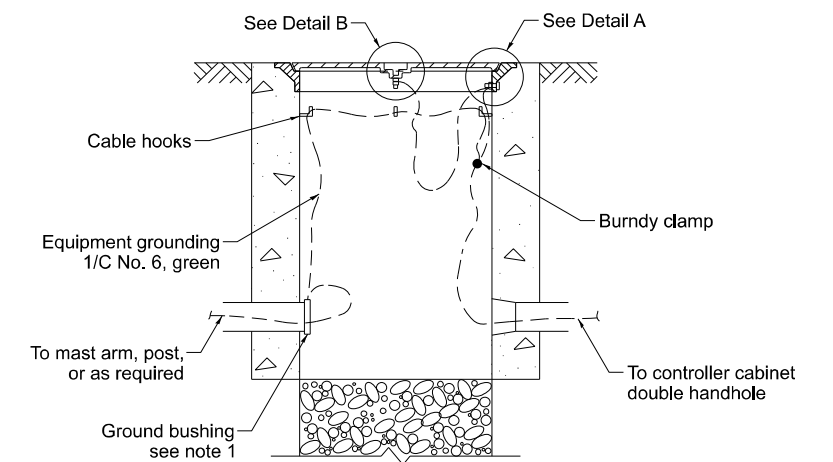
Heavy-Duty Compression Terminal (Burndy Type YGHA or approved equal)



3/4" Heavy-Duty Ground Rod Clamp Bronze or Copper, UL Approved (Burndy Type GRC or approved equal)

NOTES:

1. CONDUIT THAT HAS BEEN DRILLED INTO AN EXISTING HANDHOLE WILL REQUIRE A GROUND BUSHING FOR THE CONDUIT TO BE PROPERLY GROUNDING.
2. GROUND CABLE SHALL BE LOOPED OVER HOOKS IN THE HANDHOLES. 6.5' OF SLACK SHALL BE PROVIDED IN SINGLE AND DOUBLE HANDHOLES. 5' OF SLACK SHALL BE PROVIDED BETWEEN THE FRAME AND COVER.



HANDHOLE GROUNDING DETAIL

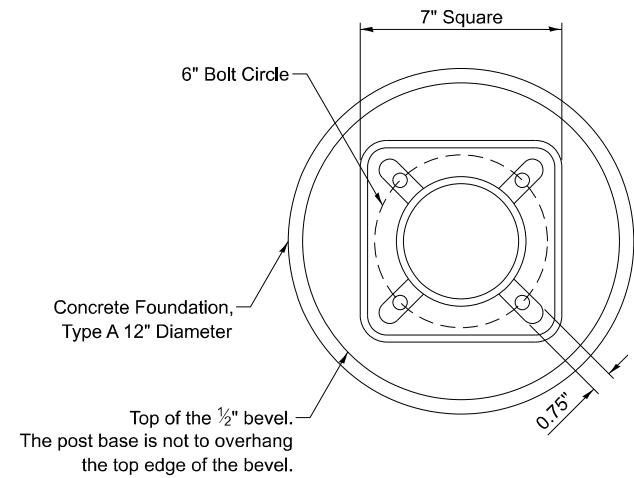
USER NAME = lovan,plascencia	DESIGNED - IP	REVISED -
	DRAWN - IP	REVISED -
	CHECKED - NB/KK	REVISED -
PLOT DATE =	DATE - 10/15/2025	REVISED -

STATE OF ILLINOIS
DEPARTMENT OF TRANSPORTATION

DISTRICT 1
STANDARD TRAFFIC SIGNAL DESIGN DETAILS

SCALE: NTS SHEET 6 OF 7 SHEETS STA. TO STA.

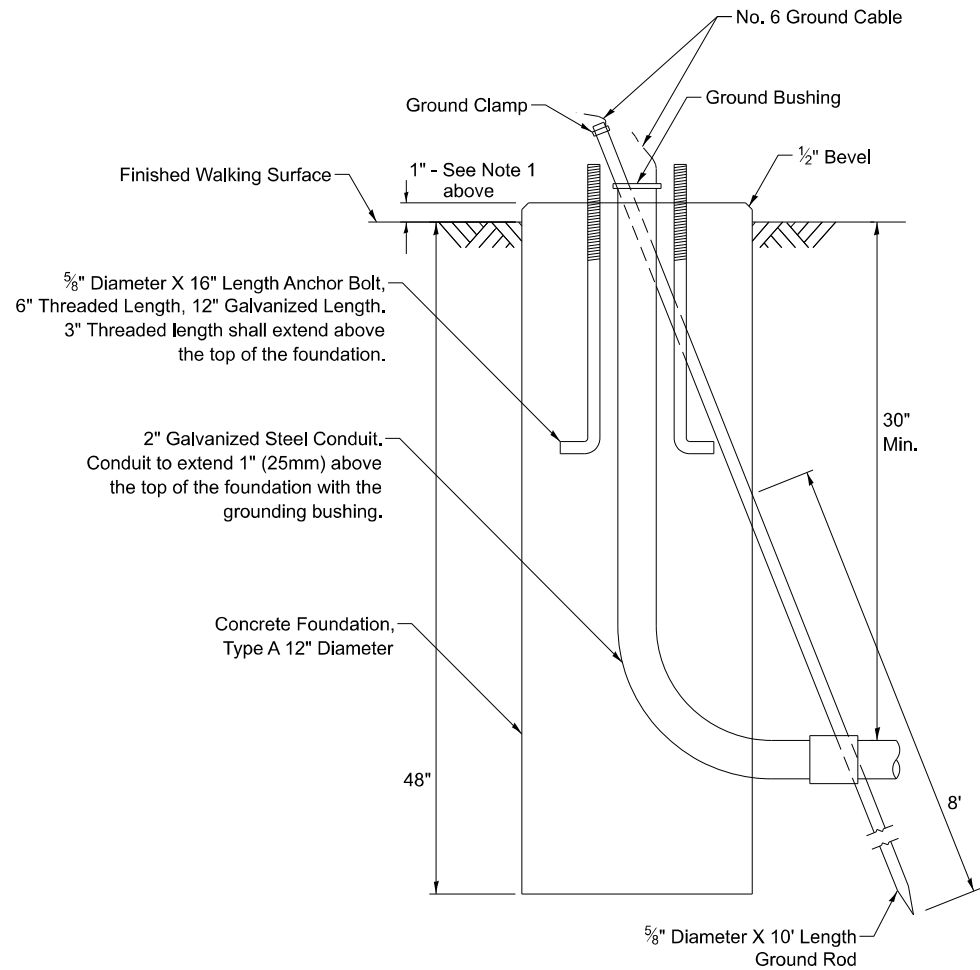
F.A. RTE.	SECTION	COUNTY	TOTAL SHEETS	SHEET NO.
VAR	2026-2160-TS	VARIOUS	58	19
TS-01		CONTRACT NO. 80C89		
ILLINOIS FED. AID PROJECT				



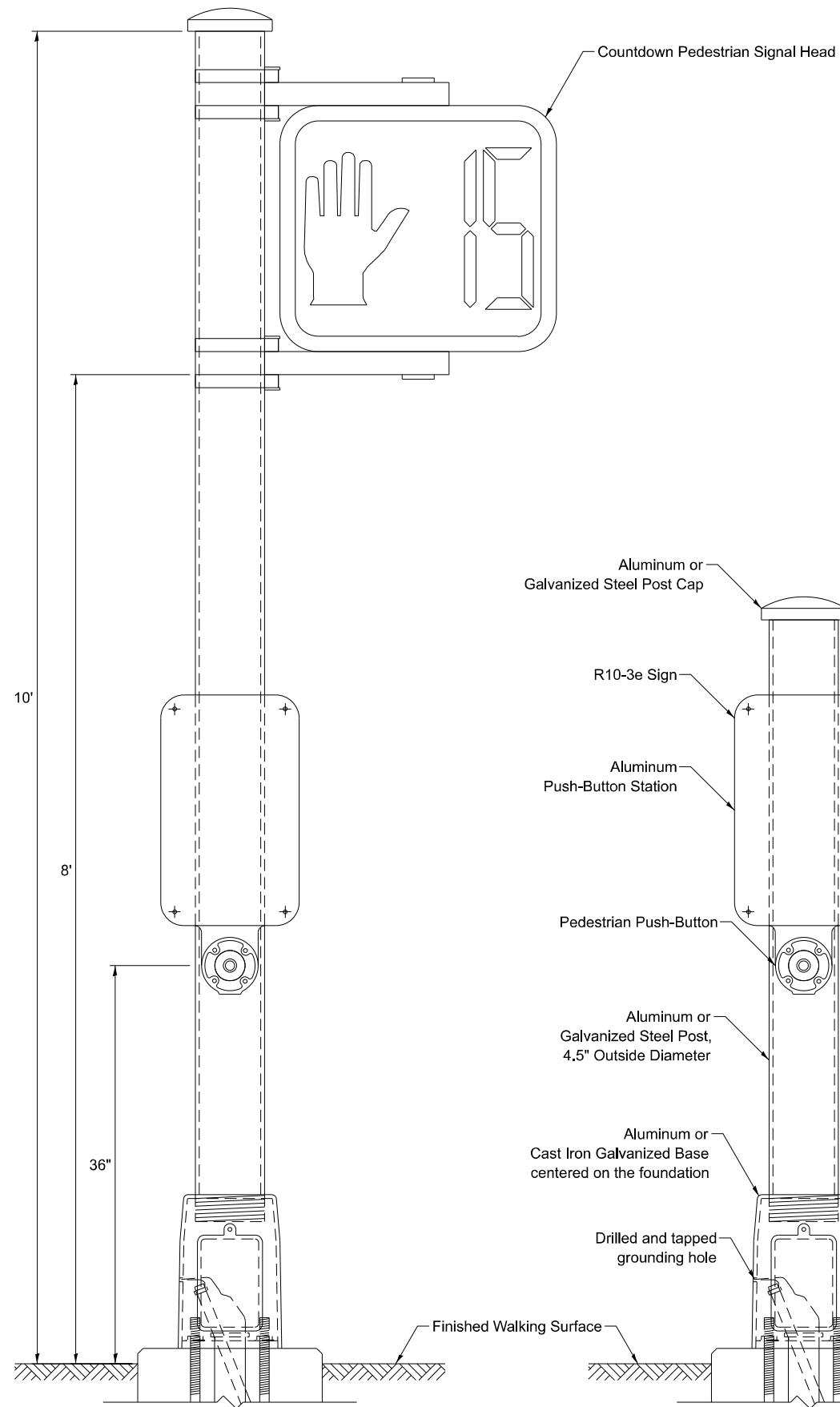
BOLT PATTERN

NOTES:

1. IF THE PEDESTRIAN SIGNAL POST FOUNDATION IS INSTALLED WITHIN A SIDEWALK CURB, THE TOP OF THE FOUNDATION SHALL BE INSTALLED FLUSH WITH THE TOP OF THE SIDEWALK CURB.

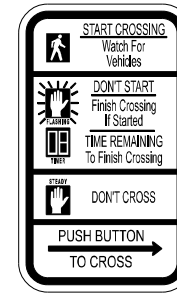


**CONCRETE FOUNDATION,
TYPE A 12-INCH DIAMETER**



PEDESTRIAN SIGNAL POST, 10 FT.

PEDESTRIAN SIGNAL POST, 5 FT.



R10-3e
9" X 15"



W10-1101
18" X 24"

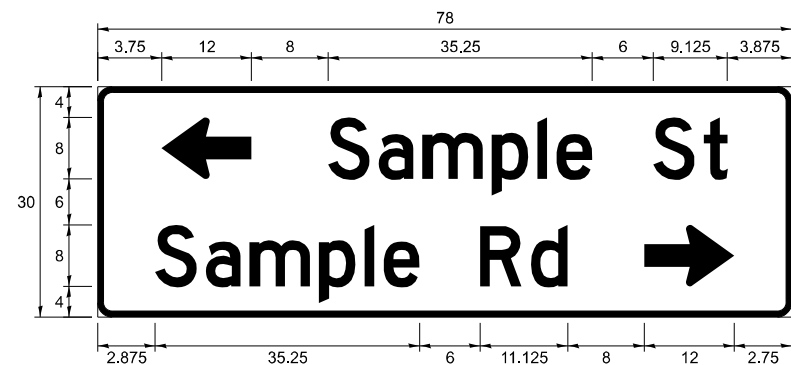
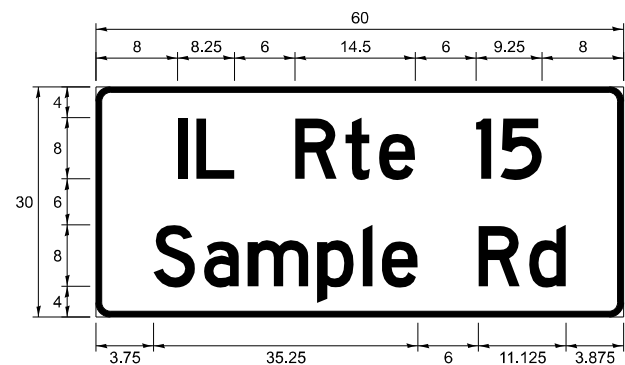
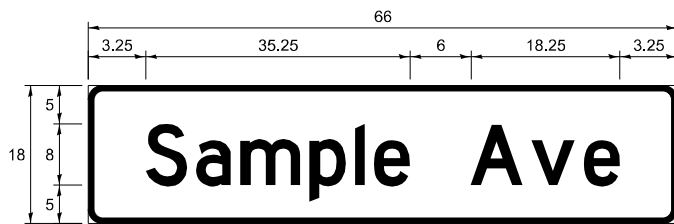
SIGN NOTES:

1. THE SIGN PANELS SHALL BE TYPE AP SHEETING.
2. WHEN SIGN R10-3e IS INSTALLED AT MEDIANS WHERE ONLY ONE PUSH-BUTTON IS BEING USED FOR BOTH DIRECTIONS, THE ARROW SHALL BE BI-DIRECTIONAL.
3. SIGN W10-1101 IS REQUIRED FOR EACH PEDESTRIAN SIGNAL HEAD AT RAILROAD INTERSECTIONS.

USER NAME = lovan,plascencia	DESIGNED - IP	REVISED -	STATE OF ILLINOIS DEPARTMENT OF TRANSPORTATION	DISTRICT 1 STANDARD TRAFFIC SIGNAL DESIGN DETAILS			F.A. RTE.	SECTION	COUNTY	TOTAL SHEETS	SHEET NO.
	DRAWN - IP	REVISED -					VAR	2026-2160-TS	VARIOUS	58	20
PLOT DATE =	CHECKED - NB/KK	REVISED -	SCALE: NTS	SHEET 7	OF 7 SHEETS	STA.	TO STA.	TS-01		CONTRACT NO. 80C89	
	DATE - 10/15/2025	REVISED -		ILLINOIS		FED. AID PROJECT					

SIGN PANEL – TYPE 1 OR TYPE 2

ALL DIMENSIONS ARE IN INCHES UNLESS NOTED OTHERWISE



DESIGN SERIES	AREA (SQ FT)	SIGN PANEL TYPE	SHEETING TYPE	QTY REQUIRED
C OR D	-	1 OR 2	ZZ	-

COMMON STREET NAME ABBREVIATIONS

NAME	ABBREVIATION	LENGTH (INCH)	
		SERIES "C"	SERIES "D"
Avenue	Ave	15	18.25
Boulevard	Blvd	17.125	20
Circle	Cir	11.125	13
Court	Ct	8.25	9.625
Drive	Dr	8.625	10.125
Highway	Hwy	18.375	22
Illinois	IL	7	8.25
Lane	Ln	9.125	10.75
Parkway	Pkwy	23.375	27.375
Place	Pl	7.125	7.75
Road	Rd	9.625	11.125
Route	Rte	12.625	14.5
Street	St	8	9.125
Terrace	Ter	12.625	14.625
Trail	Tr	7.75	9.125
United States	US	10.375	12.25

GENERAL NOTES

- WHERE MAST ARM MOUNTED STREET NAME SIGNS ARE SPECIFIED, THE MAST ARM ASSEMBLY AND POLES SHALL BE DESIGNED TO SUPPORT THE LOADINGS CALLED FOR ON STANDARDS 877001, 877002, 877006, 877011 AND 877012, AS APPLICABLE, PLUS TWO SIGN PANELS 2'-6" x 8'-0" MOUNTED AS SHOWN. THE DESIGN SHALL BE IN ACCORDANCE WITH THE REQUIREMENTS OF THE CURRENT "STANDARD SPECIFICATIONS FOR STRUCTURAL SUPPORTS FOR HIGHWAY SIGNS, LUMINAIRES, AND TRAFFIC SIGNALS" AS PUBLISHED BY THE AMERICAN ASSOCIATION OF STATE HIGHWAY AND TRANSPORTATION OFFICIALS FOR 80 M.P.H. WIND VELOCITY.
- ALL SIGNS SHALL CONSIST OF A WHITE LEGEND AND BORDER (TYPE ZZ SHEETING) ON A GREEN BACKGROUND (TYPE ZZ SHEETING)
- THE SIGN LENGTH SHALL BE IN 6-INCH INCREMENTS, BUT THE OVERALL LENGTH SHALL NOT EXCEED 8'-0". ALL BORDERS SHALL BE 3/4" WIDE. CORNER RADIUS SHALL BE 1-7/8". THE SPACING BETWEEN THE WORDS SHOULD BE 6", BUT MAY BE REDUCED TO 5" WHEN SPACING IS CRITICAL. THE SPACING BETWEEN THE LEFT OR RIGHT ARROW AND THE ADJACENT WORD SHOULD BE 8", BUT MAY BE REDUCED TO 6" WHEN SPACING IS CRITICAL. A MINIMUM OF 2-1/2" SHALL BE INCLUDED BETWEEN THE WORD AND THE RIGHT AND LEFT EDGES OF THE SIGN.
- THE PREFERRED METHOD FOR THE SIGN DESIGN IS TO USE THE SERIES "D" ALPHABET ON A ONE-LINE SIGN THAT IS 18" IN HEIGHT AND A MAXIMUM OF 8'-0" IN WIDTH. IF SERIES "D" DOES NOT FIT ON A 8'-0" SIGN, THEN SERIES "C" SHOULD BE TRIED. IF SERIES "C" DOES NOT FIT ON A ONE-LINE 8'-0" SIGN, A 30" HEIGHT TWO-LINE SIGN CAN BE USED. THE CROSSROAD DESIGNATION (I.E. STREET, AVENUE, ETC.) SHALL BE SPELLED OUT ON THE SECOND LINE, IF THE ABBREVIATION CANNOT FIT ON THE FIRST LINE.
- LED ILLUMINATED STREET NAME SIGNS CAN BE USED IN PLACE OF REGULAR SIGN PANELS BUT ANY SPECIAL WORDING AND SYMBOLOGY MUST BE APPROVED BY THE DEPARTMENT. GENERAL DESIGN REQUIREMENTS AS LISTED ABOVE (COLOR, FONT, SIZE, ETC.) MUST BE FOLLOWED.
- SIGNFIX ALUMINUM CHANNEL FRAMING SYSTEM SHALL BE USED FOR ALL SIGNS ATTACHED TO SIGNAL POLES AND POSTS.

LOCAL SUPPLIERS:

- J.O. HERBERT COMPANY, INC
MIDLOTHIAN, VA

- WESTERN REMAC, INC.
WOODRIDGE, IL

PARTS LISTING:

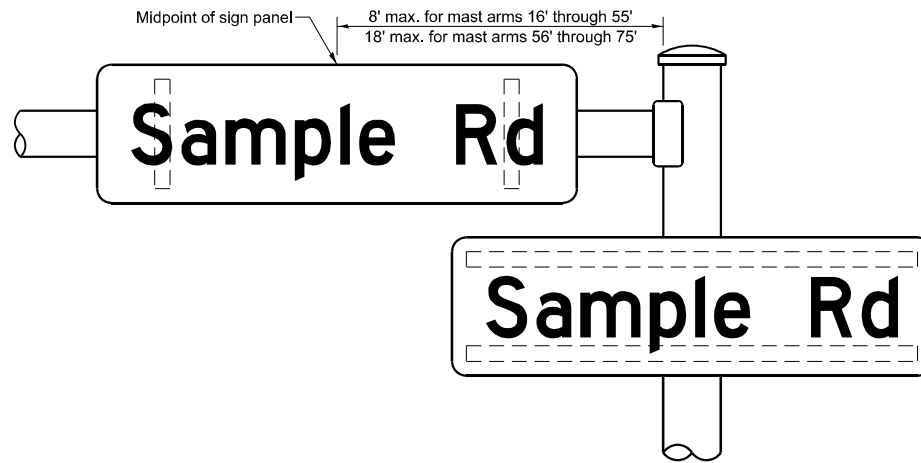
-SIGN CHANNEL PART #HPN053 (MED. CHANNEL)
-SIGN SCREWS 1/4" x 14 x 1" H.W.H. #3
SELF TAPPING WITH NEOPRENE WASHER

-BRACKETS PART #HPN034 (UNIVERSAL)
CHANNEL CLAMPS WITH STAINLESS STEEL STRAPPING

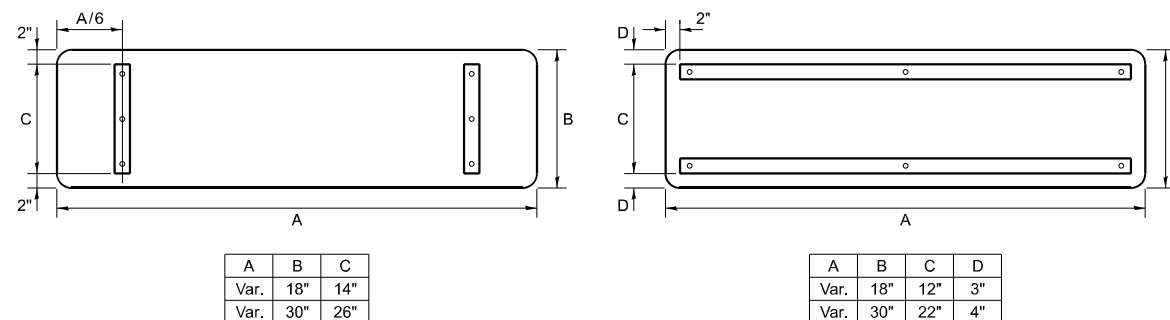
OTHER BRANDS OF MOUNTING HARDWARE ARE ACCEPTABLE, BASED UPON THE DEPARTMENT'S APPROVAL AND COMPATIBILITY WITH THE CHANNEL/BACKET OF THE ABOVE PRODUCT.

MOUNTING LOCATIONS

ARM OR POLE MOUNTED



SUPPORTING CHANNELS



STANDARD ALPHABETS SPACING CHART

MEASUREMENTS BASED ON 8" UPPER CASE LETTER HEIGHT

CHARACTER	FHWA SERIES "C"			CHARACTER	FHWA SERIES "D"		
	LEFT SPACING (INCH)	WIDTH (INCH)	RIGHT SPACING (INCH)		LEFT SPACING (INCH)	WIDTH (INCH)	RIGHT SPACING (INCH)
A	0.240	5.122	0.240	A	0.240	6.804	0.240
B	0.880	4.482	0.480	B	0.960	5.446	0.400
C	0.720	4.482	0.720	C	0.800	5.446	0.800
D	0.880	4.482	0.720	D	0.960	5.446	0.800
E	0.880	4.082	0.480	E	0.960	4.962	0.400
F	0.880	4.082	0.240	F	0.960	4.962	0.240
G	0.720	4.482	0.720	G	0.800	5.446	0.800
H	0.880	4.482	0.880	H	0.960	5.446	0.960
I	0.880	1.120	0.880	I	0.960	1.280	0.960
J	0.240	4.082	0.880	J	0.240	5.122	0.960
K	0.880	4.482	0.480	K	0.960	5.604	0.400
L	0.880	4.082	0.240	L	0.960	4.962	0.240
M	0.880	5.284	0.880	M	0.960	6.244	0.960
N	0.880	4.482	0.880	N	0.960	5.446	0.960
O	0.720	4.722	0.720	O	0.800	5.684	0.800
P	0.880	4.482	0.720	P	0.960	5.446	0.240
Q	0.720	4.722	0.720	Q	0.800	5.684	0.800
R	0.880	4.482	0.480	R	0.960	5.446	0.400
S	0.480	4.482	0.480	S	0.400	5.446	0.400
T	0.240	4.082	0.240	T	0.240	4.962	0.240
U	0.880	4.482	0.880	U	0.960	5.446	0.960
V	0.240	4.962	0.240	V	0.240	6.084	0.240
W	0.240	6.084	0.240	W	0.240	7.124	0.240
X	0.240	4.722	0.240	X	0.400	5.446	0.400
Y	0.240	5.122	0.240	Y	0.240	6.884	0.240
Z	0.480	4.482	0.480	Z	0.400	5.446	0.400
a	0.320	3.842	0.640	a	0.400	4.562	0.720
b	0.720	4.082	0.480	b	0.800	4.802	0.480
c	0.480	4.002	0.240	c	0.480	4.722	0.240
d	0.480	4.082	0.720	d	0.480	4.802	0.800
e	0.480	4.082	0.320	e	0.480	4.722	0.320
f	0.320	2.480	0.160	f	0.320	2.882	0.160
g	0.480	4.082	0.720	g	0.480	4.802	0.800
h	0.720	4.082	0.640	h	0.800	4.722	0.720
i	0.720	1.120	0.720	i	0.800	1.280	0.800
j	0.000	2.320	0.720	j	0.000	2.642	0.800
k	0.720	4.322	0.160	k	0.800	5.122	0.160
l	0.720	1.120	0.720	l	0.800	1.280	0.800
m	0.720	6.724	0.640	m	0.800	7.926	0.720
n	0.720	4.082	0.640	n	0.800	4.722	0.720
o	0.480	4.082	0.480	o	0.480	4.882	0.480
p	0.720	4.082	0.480	p	0.800	4.802	0.480
q	0.480	4.082	0.720	q	0.480	4.802	0.800
r	0.720	2.642	0.160	r	0.800	3.042	0.160
s	0.320	3.362	0.240	s	0.320	3.762	0.240
t	0.080	2.882	0.080	t	0.080	3.202	0.080
u	0.640	4.082	0.720	u	0.720	4.722	0.800
v	0.160	4.722	0.160	v	0.160	5.684	0.160
w	0.160	7.524	0.160	w	0.160	9.046	0.160
x	0.000	5.202	0.000	x	0.000	6.244	0.000
y	0.160	4.962	0.160	y	0.160	6.004	0.160
z	0.240	3.362	0.240	z	0.240	4.002	0.240
1	0.720	1.680	0.880	1	0.800	2.000	0.960
2	0.480	4.482	0.480	2	0.800	5.446	0.800
3	0.480	4.482	0.480	3	1.440	5.446	0.800
4	0.240	4.962	0.720	4	0.160	6.004	0.960
5	0.480	4.482	0.480	5	0.800	5.446	0.800
6	0.720	4.482	0.720	6	0.800	5.446	0.800
7	0.240	4.482	0.720	7	0.560	5.446	0.560
8	0.480	4.482	0.480	8	0.800	5.446	0.800
9	0.480	4.482	0.480	9	0.800	5.446	0.800
0	0.720	4.722	0.720	0	0.800	5.684	0.800
-	0.240	2.802	0.240	-	0.240	2.802	0.240

USER NAME = loven,plascencia	DESIGNED - IP	REVISED -
	DRAWN - IP	REVISED -
	CHECKED - NB	REVISED -
PLOT DATE =	DATE - 10/15/2025	REVISED -

STATE OF ILLINOIS
DEPARTMENT OF TRANSPORTATION

DISTRICT 1
MAST ARM MOUNTED STREET NAME SIGNS

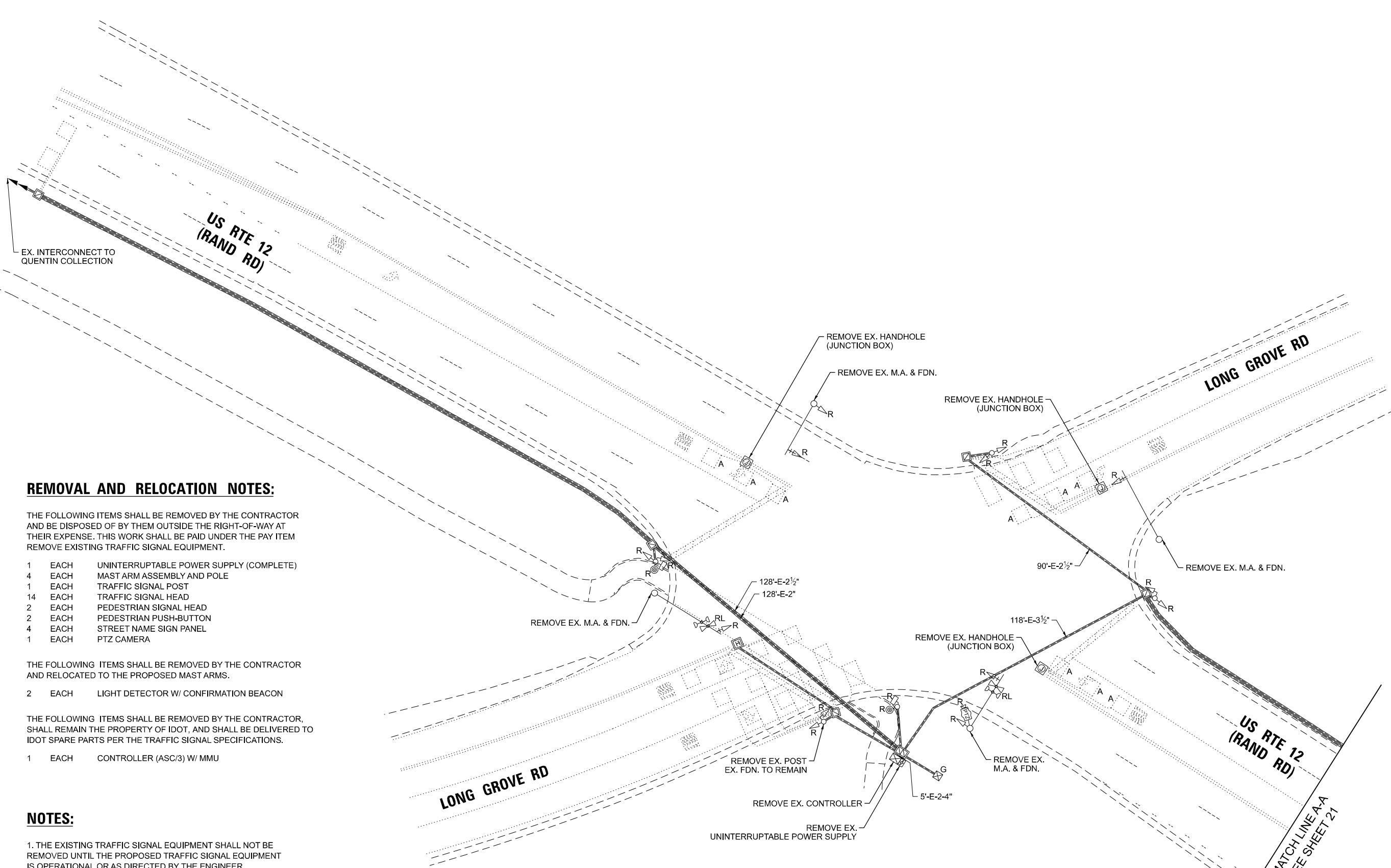
SCALE: NTS SHEET 1 OF 1 SHEETS STA. TO STA.

F.A. RTE.	SECTION	COUNTY	TOTAL SHEETS	SHEET NO.
VAR	2026-2160-TS	VARIOUS	58	21
TS-02		CONTRACT NO. 80C89		
ILLINOIS		FED. AID PROJECT		

LOCATION NO.	TS NO.	INTERSECTION NAME	SYSTEM NAME	MAINTENANCE OF EXISTING TRAFFIC SIGNAL INSTALLATION	FULL-ACTUATED CONTROLLER IN EXISTING CABINET
8	1172	US RTE 14 (NORTHWEST HWY) AT STERLING AVE	ECONOLITE 13	1	1
9	1280	US RTE 14 (NORTHWEST HWY) AT QUENTIN RD	ECONOLITE 13	1	1
10	1315	US RTE 14 (NORTHWEST HWY) AT PLUM GROVE RD	ECONOLITE 13	1	1
11	1190	US RTE 14 (NORTHWEST HWY) AT BENTON ST	ECONOLITE 13	1	1
12	3100	IL RTE 68 (DUNDEE RD) AT ARLINGTON HEIGHTS RD	ECONOLITE 1	1	1
13	3210	IL RTE 68 (DUNDEE RD) AT CROFTON LN / WEIDNER RD	ECONOLITE 1	1	1
14	21100	IL RTE 83 (MCHENRY RD) AT LEXINGTON DR	ECONOLITE 92	1	1
15	3355	IL RTE 83 (ELMHURST RD) AT IL RTE 83 (MCHENRY RD)	ECONOLITE 92	1	1
16	12600	ARLINGTON HEIGHTS RD AT NORTH POINT SHOPPING CENTER	ECONOLITE 163	1	1
17	5620	PALATINE RD AT SCHOENBECK RD	ECONOLITE 163	1	1
18	5625	PALATINE RD AT WHEELING RD	ECONOLITE 163	1	1
19	1740	US RTE 45 - IL RTE 21 (MILWAUKEE AVE) AT PALATINE RD NORTH RAMP	ECONOLITE 15	1	1
20	1745	US RTE 45 - IL RTE 21 (MILWAUKEE AVE) AT PALATINE RD SOUTH RAMP	ECONOLITE 15	1	1
21	13145	IL RTE 53 (ROHLWING RD) AT NERGE RD	ECONOLITE 145	1	1
22	5715	IL RTE 53 (ROHLWING RD) AT DEVON AVE	ECONOLITE 145	1	1
23	8905	GOLF RD AT LAMON AVE / OLD ORCHARD SHOPPING CENTER	ECONOLITE 2	1	1
24	5152	GROSS POINT RD AT KENTON AVE / JEWEL OSCO	ECONOLITE 2	1	1
25	4875	MCCORMICK BLVD AT CHURCH ST	ECONOLITE 14	1	1
26	5035	MCCORMICK BLVD AT DEMPSTER ST	ECONOLITE 14	1	1
27	5465	MCCORMICK BLVD AT MAIN ST	ECONOLITE 14	1	1
28	5485	MCCORMICK BLVD AT OAKTON ST	ECONOLITE 14	1	1
29	5340	MCCORMICK BLVD AT HOWARD ST	ECONOLITE 14	1	1
30	5045	MCCORMICK BLVD AT DEVON AVE	ECONOLITE 14	1	1
31	9190	TOUHY AVE AT CUMBERLAND AVE	ECONOLITE 190	1	1
32	9222	TOUHY AVE AT SUMMIT AVE	ECONOLITE 190	1	1
33	9250	TOUHY AVE AT NORTHWEST HWY AT PROSPECT AVE	ECONOLITE 190	1	1
34	9255	TOUHY AVE AT WASHINGTON AVE	ECONOLITE 190	1	1
35	9215	NORTHWEST HWY AT MEACHAM AVE	ECONOLITE 190	1	1
36	9247	NORTHWEST HWY AT SUMMIT AVE	ECONOLITE 190	1	1
37	9220	NORTHWEST HWY AT WASHINGTON AVE	ECONOLITE 190	1	1
38	3775	31ST ST AT WOLF RD	ECONOLITE 120	1	1
39	21175	31ST ST AT MAYFAIR AVE	ECONOLITE 120	1	1
40	1025	US RTE 12-20-45 (LA GRANGE RD) AT 31ST ST	ECONOLITE 120	1	1
41	13925	31ST ST AT FOREST RD	ECONOLITE 120	1	1
42	13930	31ST ST PEDESTRIAN CROSSING BETWEEN HARRISON AVE AND RAYMOND AVE	ECONOLITE 120	1	1
43	3693	MAPLE AVE (17TH AVE) AT 30TH ST	ECONOLITE 120	1	1
44	3691	31ST ST AT PRAIRIE AVE (11TH AVE)	ECONOLITE 120	1	1
45	7950	IL RTE 43 (HARLEM AVE) AT 32ND ST	ECONOLITE 119	1	1
46	11810	IL RTE 171 (1ST AVE) FRONTAGE RD AT IL RTE 171 (1ST AVE) RAMP B	ECONOLITE 115	1	1
47	11805	47TH ST AT IL RTE 171 (1ST AVE) WEST RAMP	ECONOLITE 115	1	1
48	3575	47TH ST AT IL RTE 171 (1ST AVE) EAST RAMP	ECONOLITE 115	1	1
49	3815	47TH ST AT LAWNSDALE AVE	ECONOLITE 115	1	1
50	3810	47TH ST AT JOLIET RD	ECONOLITE 115	1	1
51	5375	JOLIET RD AT UNIVERSAL OIL PRODUCTS	ECONOLITE 115	1	1
52	5360	JOLIET RD AT LAWNSDALE AVE	ECONOLITE 115	1	1
53	3455	IL RTE 83 (147TH ST) AT KILBOURN AVE	ECONOLITE 135	1	1
54	3445	IL RTE 83 (147TH ST) AT KEELER AVE	ECONOLITE 135	1	1
55	3400	IL RTE 83 (147TH ST) AT PULASKI RD / CRAWFORD AVE	ECONOLITE 135	1	1
56	300	US RTE 6 (162ND ST) AT VINCENNES AVE	ECONOLITE 56	1	1
57	293	US RTE 6 (162ND ST) AT WAUSAU AVE	ECONOLITE 56	1	1
58	290	US RTE 6 (162ND ST) AT SOUTH PARK AVE	ECONOLITE 56	1	1
59	285	US RTE 6 (162ND ST) AT SCHOOL ST	ECONOLITE 56	1	1
60	210	US RTE 6 (162ND ST) AT COTTAGE GROVE AVE	ECONOLITE 56	1	1
61	320	US RTE 6 (162ND ST) AT WOODLAWN EAST AVE	ECONOLITE 56	1	1
62	1830	IL RTE 1 (HALSTED ST) AT 183RD ST	ECONOLITE 60	1	1

MAINTENANCE OF EXISTING TRAFFIC SIGNAL INSTALLATION

FULL-ACTUATED CONTROLLER IN EXISTING CABINET



REMOVAL AND RELOCATION NOTES:

THE FOLLOWING ITEMS SHALL BE REMOVED BY THE CONTRACTOR AND BE DISPOSED OF BY THEM OUTSIDE THE RIGHT-OF-WAY AT THEIR EXPENSE. THIS WORK SHALL BE PAID UNDER THE PAY ITEM REMOVE EXISTING TRAFFIC SIGNAL EQUIPMENT.

- 1 EACH UNINTERRUPTABLE POWER SUPPLY (COMPLETE)
- 4 EACH MAST ARM ASSEMBLY AND POLE
- 1 EACH TRAFFIC SIGNAL POST
- 14 EACH TRAFFIC SIGNAL HEAD
- 2 EACH PEDESTRIAN SIGNAL HEAD
- 2 EACH PEDESTRIAN PUSH-BUTTON
- 4 EACH STREET NAME SIGN PANEL
- 1 EACH PTZ CAMERA

THE FOLLOWING ITEMS SHALL BE REMOVED BY THE CONTRACTOR AND RELOCATED TO THE PROPOSED MAST ARMS.

- 2 EACH LIGHT DETECTOR W/ CONFIRMATION BEACON

THE FOLLOWING ITEMS SHALL BE REMOVED BY THE CONTRACTOR, SHALL REMAIN THE PROPERTY OF IDOT, AND SHALL BE DELIVERED TO IDOT SPARE PARTS PER THE TRAFFIC SIGNAL SPECIFICATIONS.

- 1 EACH CONTROLLER (ASC/3) W/ MMU

NOTES:

1. THE EXISTING TRAFFIC SIGNAL EQUIPMENT SHALL NOT BE REMOVED UNTIL THE PROPOSED TRAFFIC SIGNAL EQUIPMENT IS OPERATIONAL OR AS DIRECTED BY THE ENGINEER.
2. THE EXISTING TRAFFIC SIGNAL CABLE NO LONGER REQUIRED SHALL BE REMOVED.
3. THE EXISTING CONDUIT NO LONGER REQUIRED SHALL BE ABANDONED.

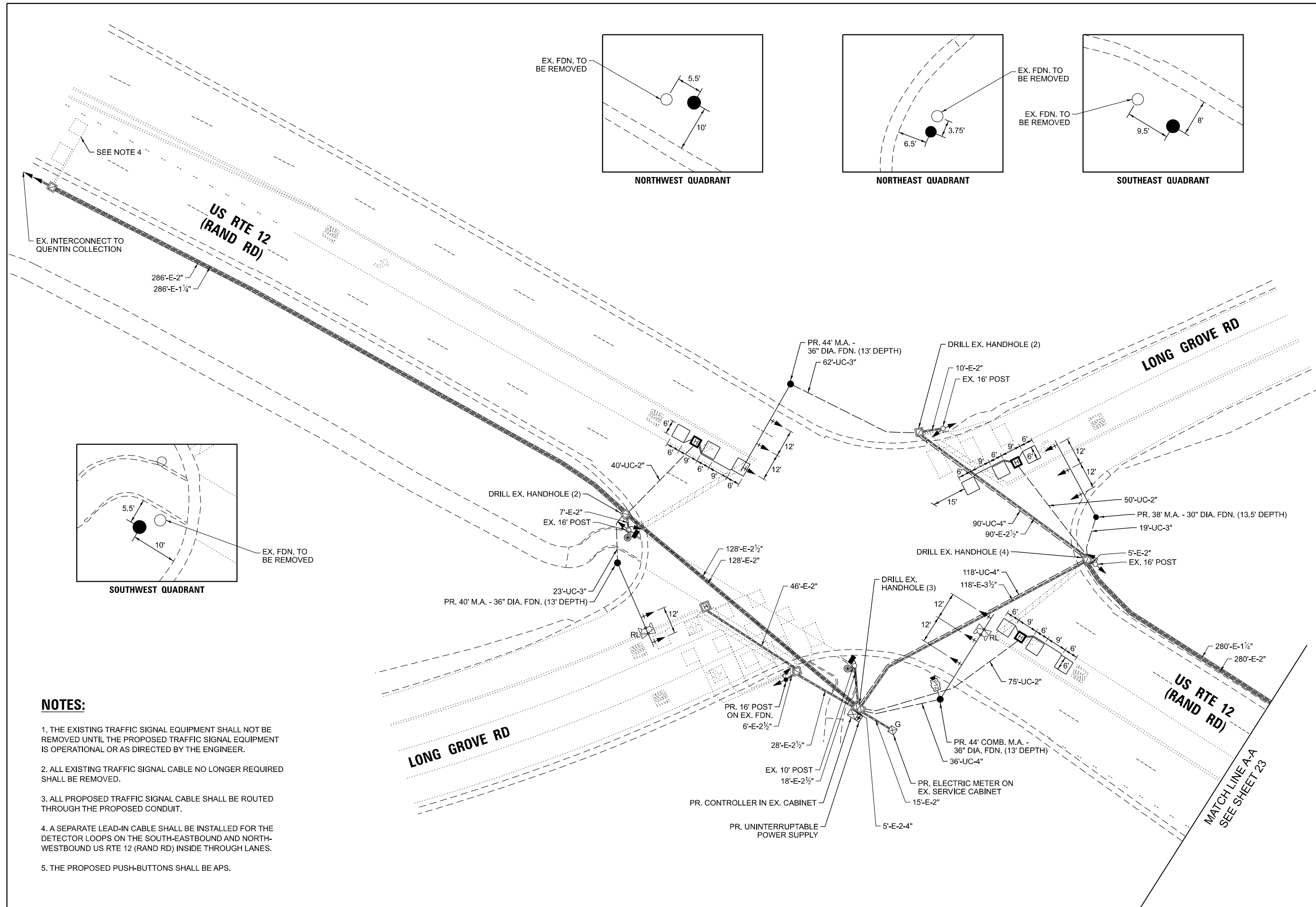
**TS 965
LCDOT PASSAGE
FORMER ECON 147**

USER NAME = kovan,plascencia	DESIGNED - IP	REVISED -	STATE OF ILLINOIS DEPARTMENT OF TRANSPORTATION	TRAFFIC SIGNAL REMOVAL PLAN (SHEET 1 OF 2) US RTE 12 (RAND RD) AT LONG GROVE RD	F.A. RTE.	SECTION	COUNTY	TOTAL SHEETS	SHEET NO.	
	DRAWN - IP	REVISED -			VAR	2026-2160-TS	VARIOUS	58	23	
	CHECKED - NB	REVISED -			CONTRACT NO. 80C89					
PLOT DATE =	DATE - 3/20/2026	REVISED -			ILLINOIS FED. AID PROJECT					
				SCALE:	SHEET	OF	SHEETS	STA.	TO STA.	



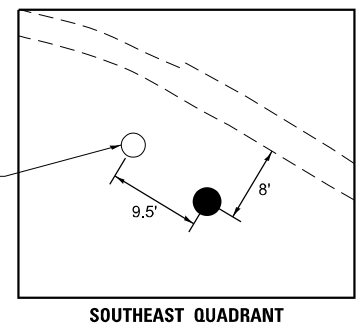
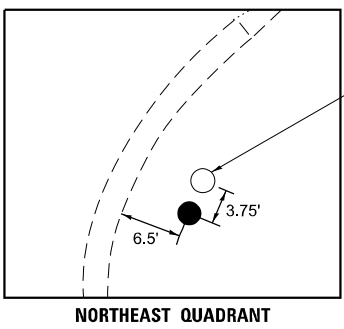
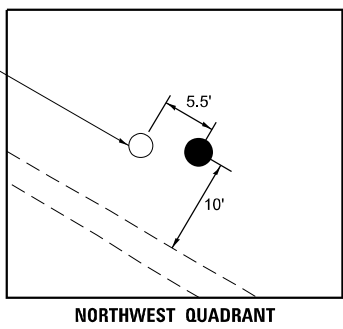
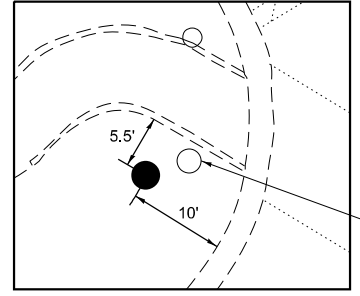
TS 965
LCDOT PASSAGE
FORMER ECON 147

USER NAME = kovan,plascencia	DESIGNED - IP	REVISED -	STATE OF ILLINOIS DEPARTMENT OF TRANSPORTATION	TRAFFIC SIGNAL REMOVAL PLAN (SHEET 2 OF 2) US RTE 12 (RAND RD) AT LONG GROVE RD	F.A. RTE.	SECTION	COUNTY	TOTAL SHEETS	SHEET NO.	
	DRAWN - IP	REVISED -			VAR	2026-2160-TS	VARIOUS	58	24	
	CHECKED - NB	REVISED -			CONTRACT NO. 80C89					
PLOT DATE =	DATE - 3/20/2026	REVISED -			SCALE:	SHEET	OF	SHEETS	STA.	TO STA.



NOTES:

1. THE EXISTING TRAFFIC SIGNAL EQUIPMENT SHALL NOT BE REMOVED UNTIL THE PROPOSED TRAFFIC SIGNAL EQUIPMENT IS OPERATIONAL OR AS DIRECTED BY THE ENGINEER.
2. ALL EXISTING TRAFFIC SIGNAL CABLE NO LONGER REQUIRED SHALL BE REMOVED.
3. ALL PROPOSED TRAFFIC SIGNAL CABLE SHALL BE ROUTED THROUGH THE PROPOSED CONDUIT.
4. A SEPARATE LEAD-IN CABLE SHALL BE INSTALLED FOR THE DETECTOR LOOPS ON THE SOUTH-EASTBOUND AND NORTH-WESTBOUND US RTE 12 (RAND RD) INSIDE THROUGH LANES.
5. THE PROPOSED PUSH-BUTTONS SHALL BE APS.



USER NAME =	lovan,plascencia	DESIGNED -	IP	REVISED -	
		DRAWN -	IP	REVISED -	
		CHECKED -	NB	REVISED -	
PLOT DATE =		DATE -	3/20/2026	REVISED -	

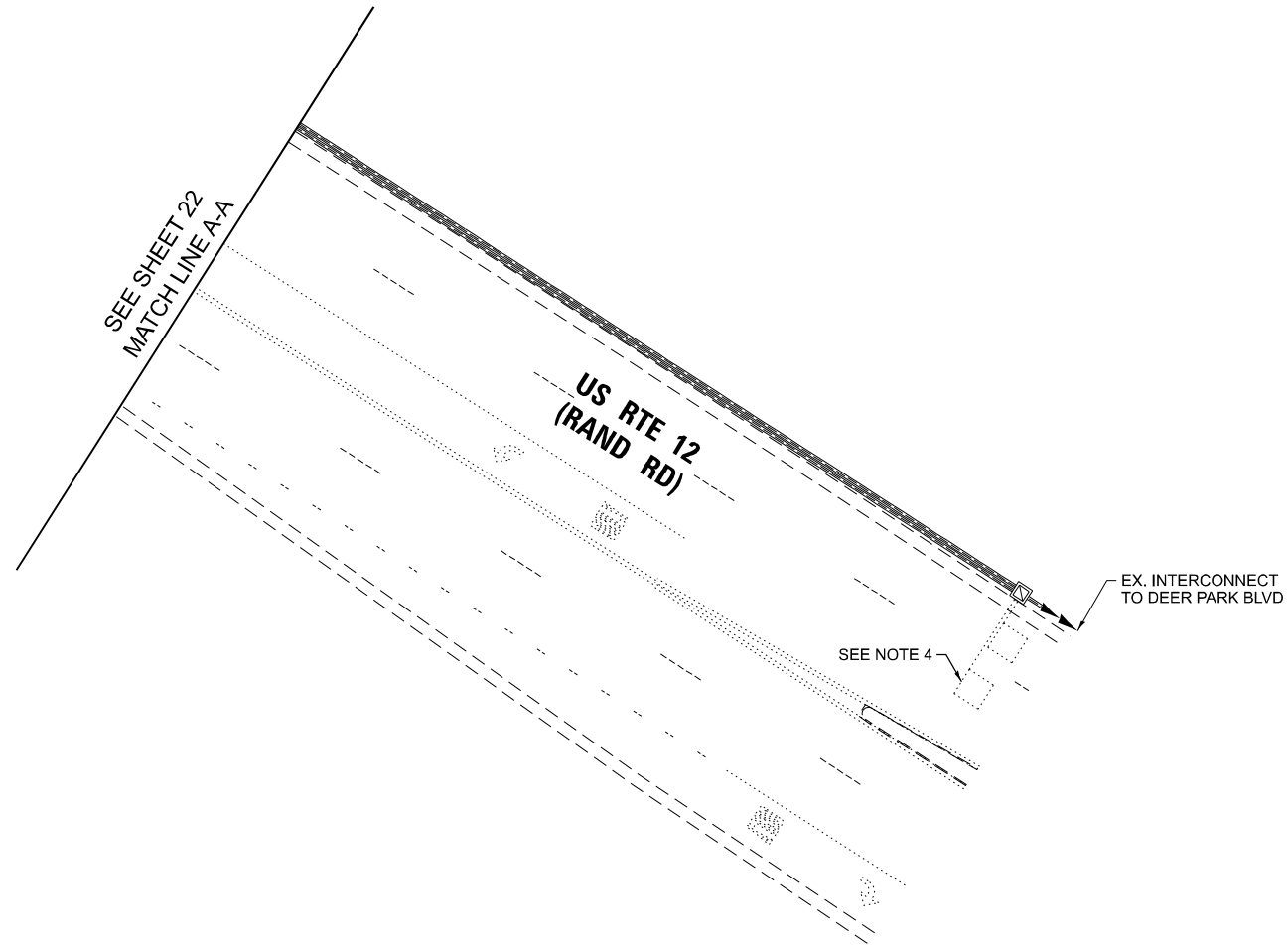
**STATE OF ILLINOIS
DEPARTMENT OF TRANSPORTATION**

**TRAFFIC SIGNAL MODERNIZATION PLAN (SHEET 1 OF 2)
US RTE 12 (RAND RD) AT LONG GROVE RD**

SCALE: SHEET OF SHEETS STA. TO STA.

F.A. RTE.	SECTION	COUNTY	TOTAL SHEETS	SHEET NO.
VAR	2026-2160-TS	VARIOUS	58	25
CONTRACT NO. 80C89			ILLINOIS FED. AID PROJECT	

**TS 965
LCDOT PASSAGE
FORMER ECON 147**



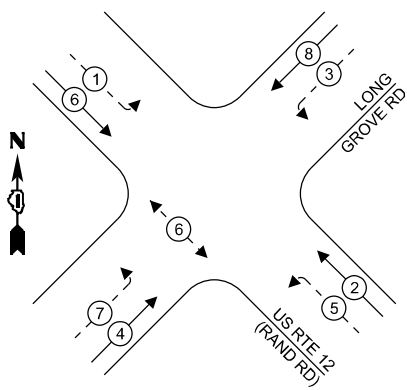
NOTES:

1. THE EXISTING TRAFFIC SIGNAL EQUIPMENT SHALL NOT BE REMOVED UNTIL THE PROPOSED TRAFFIC SIGNAL EQUIPMENT IS OPERATIONAL OR AS DIRECTED BY THE ENGINEER.
2. ALL EXISTING TRAFFIC SIGNAL CABLE NO LONGER REQUIRED SHALL BE REMOVED.
3. ALL PROPOSED TRAFFIC SIGNAL CABLE SHALL BE ROUTED THROUGH THE PROPOSED CONDUIT.
4. A SEPARATE LEAD-IN CABLE SHALL BE INSTALLED FOR THE DETECTOR LOOPS ON THE SOUTH-EASTBOUND AND NORTH-WESTBOUND US RTE 12 (RAND RD) INSIDE THROUGH LANES.
5. THE PROPOSED PUSH-BUTTONS SHALL BE APS.

**TS 965
LCDOT PASSAGE
FORMER ECON 147**

USER NAME = <i>lovan,plascencia</i>	DESIGNED - IP	REVISED -	STATE OF ILLINOIS DEPARTMENT OF TRANSPORTATION	TRAFFIC SIGNAL MODERNIZATION PLAN (SHEET 2 OF 2) US RTE 12 (RAND RD) AT LONG GROVE RD				F.A. RTE.	SECTION	COUNTY	TOTAL SHEETS	SHEET NO.
	DRAWN - IP	REVISED -						VAR	2026-2160-TS	VARIOUS	58	26
PLOT DATE =	DATE - 3/20/2026	REVISED -	SCALE:	SHEET	OF	SHEETS	STA.	TO STA.	ILLINOIS FED. AID PROJECT CONTRACT NO. 80C89			

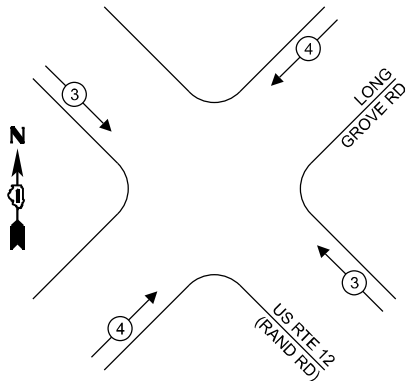
EXISTING AND PROPOSED CONTROLLER PHASE DIAGRAM



LEGEND:

- ← (⊙) ← PROTECTED PHASE
- ← (⊙) - PROTECTED/PERMISSIVE PHASE
- ← (⊙) → PEDESTRIAN PHASE

EXISTING AND PROPOSED EMERGENCY VEHICLE PREEMPTION PHASE DIAGRAM



EX. INTERCONNECT TO QUENTIN COLLECTION

EX. TRACER CABLE

NOTES:

1. ALL RED SIGNAL INDICATIONS SHALL HAVE A LENS COVER.

ENERGY COSTS TO:

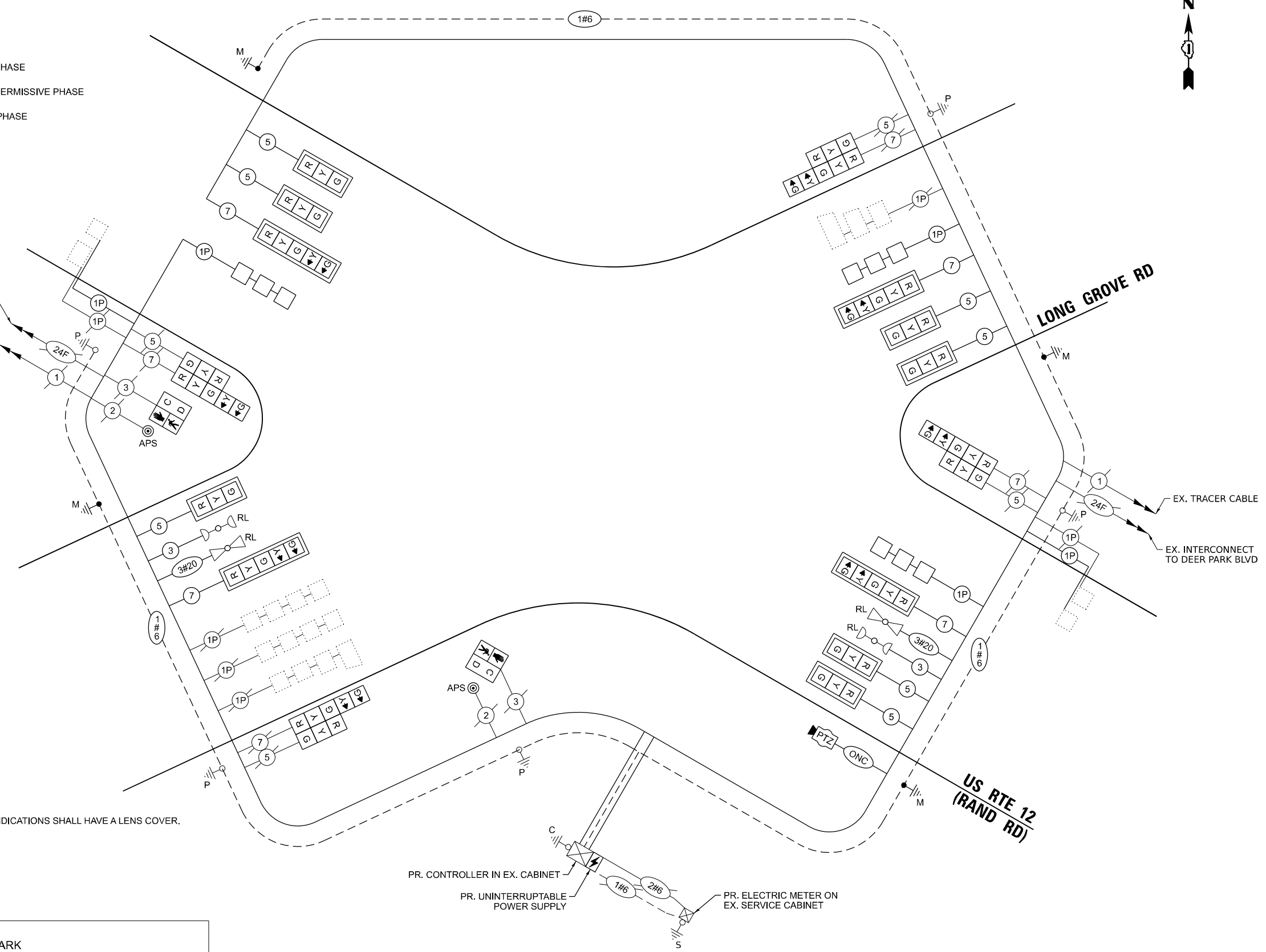
VILLAGE OF DEER PARK
23680 W CUBA RD
DEER PARK, IL 60010

ENERGY SUPPLY: CONTACT: NEW BUSINESS
PHONE: 866-639-3532
COMPANY: COMED
ACCOUNT NUMBER: 3080943367
METER NUMBER: ---

TRAFFIC SIGNAL ELECTRIC SERVICE REQUIREMENTS

EQUIPMENT TYPE	QUANTITY	UNIT WATTAGE	TOTAL WATTAGE
SIGNAL HEAD 1 OR 3-SECTION	11	11	121
4-SECTION	-	14	-
5-SECTION	8	13	104
PROGRAMMABLE 3-SECTION	-	22	-
4-SECTION	-	32	-
5-SECTION	-	28	-
PEDESTRIAN SIGNAL CONTROLLER	2	15	30
MASTER CONTROLLER	1	150	150
UPS	1	25	25
DETECTION VIDEO	-	20	-
BLANK-OUT SIGN	-	25	-
NETWORK SWITCH II OR III	1	35	35
CELLULAR MODEM	-	15	-
PTZ CAMERA	1	75	75
TOTAL UPS SIZING			540
UPS CHARGING	1	225	225
BATTERY HEATER MAT	1	180	180
CABINET HEATER	1	200	200
FLASHER	-	15	-
LED STREET NAME SIGN	-	120	-
LUMINAIRE	-	240	-
TOTAL SERVICE WIRE SIZING			1,145

DESIGNED - IP	REVISED -
DRAWN - IP	REVISED -
CHECKED - NB	REVISED -
DATE - 3/20/2026	REVISED -



CABLE PLAN

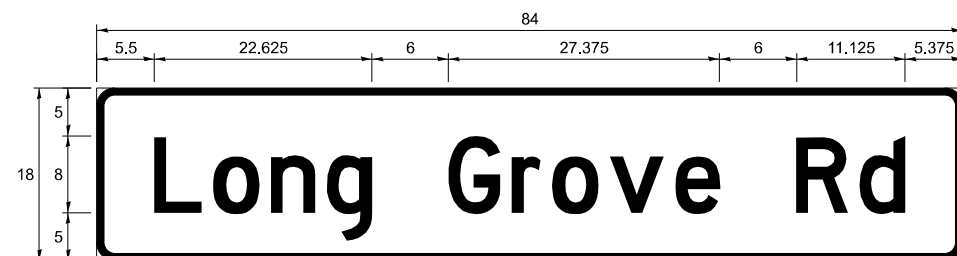
PR. CONTROLLER IN EX. CABINET
PR. UNINTERRUPTIBLE POWER SUPPLY
PR. ELECTRIC METER ON EX. SERVICE CABINET

**TS 965
LCDOT PASSAGE
FORMER ECON 147**

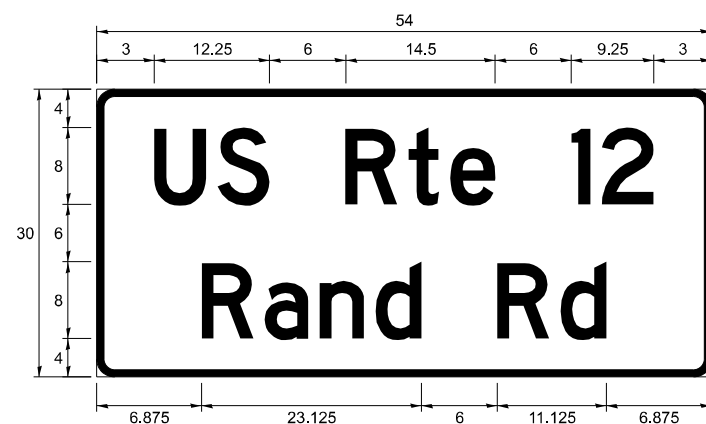
USER NAME = Iovan,plascencia	DESIGNED - IP	REVISED -	STATE OF ILLINOIS DEPARTMENT OF TRANSPORTATION		CABLE PLAN AND PHASE DIAGRAMS US RTE 12 (RAND RD) AT LONG GROVE RD				F.A. RTE.	SECTION	COUNTY	TOTAL SHEETS	SHEET NO.
PLOT DATE =	DATE - 3/20/2026	REVISED -							VAR	2026-2160-TS	VARIOUS	58	27
					SCALE:	SHEET	OF	SHEETS	STA.	TO	STA.	ILLINOIS FED. AID PROJECT	

SIGN PANEL – TYPE 2

ALL DIMENSIONS ARE IN INCHES UNLESS NOTED OTHERWISE



DESIGN SERIES	AREA (SQ FT)	SIGN PANEL TYPE	SHEETING TYPE	QTY REQUIRED
D	10.5	2	ZZ	2



DESIGN SERIES	AREA (SQ FT)	SIGN PANEL TYPE	SHEETING TYPE	QTY REQUIRED
D	11.25	2	ZZ	2

NOTE: FOR ADDITIONAL DESIGN AND INSTALLATION INFORMATION SEE DISTRICT STANDARD TS-02 - MAST ARM MOUNTED STREET NAME SIGNS.

SCHEDULE OF QUANTITIES

ITEM DESCRIPTION	UNITS	TOTAL QTY
SIGN PANEL - TYPE 2	SQ FT	43.5
UNDERGROUND CONDUIT, GALVANIZED STEEL, 2" DIA.	FOOT	165
UNDERGROUND CONDUIT, GALVANIZED STEEL, 3" DIA.	FOOT	104
UNDERGROUND CONDUIT, GALVANIZED STEEL, 4" DIA.	FOOT	244
HEAVY-DUTY HANDHOLE	EACH	3
MAINTENANCE OF EXISTING TRAFFIC SIGNAL INSTALLATION	EACH	1
ELECTRIC CABLE IN CONDUIT, SIGNAL NO. 14 3C	FOOT	362
ELECTRIC CABLE IN CONDUIT, SIGNAL NO. 14 5C	FOOT	1,578
ELECTRIC CABLE IN CONDUIT, SIGNAL NO. 14 7C	FOOT	971
ELECTRIC CABLE IN CONDUIT, LEAD-IN, NO. 14 1 PAIR	FOOT	1,397
ELECTRIC CABLE IN CONDUIT, EQUIPMENT GROUNDING CONDUCTOR, NO. 6 1C	FOOT	415
TRAFFIC SIGNAL POST, 16 FT.	EACH	1
STEEL MAST ARM ASSEMBLY AND POLE, 38 FT.	EACH	1
STEEL MAST ARM ASSEMBLY AND POLE, 40 FT.	EACH	1
STEEL MAST ARM ASSEMBLY AND POLE, 44 FT.	EACH	1
STEEL COMBINATION MAST ARM ASSEMBLY AND POLE 44 FT.	EACH	1
CONCRETE FOUNDATION, TYPE E 30-INCH DIAMETER	FOOT	13.5
CONCRETE FOUNDATION, TYPE E 36-INCH DIAMETER	FOOT	39
DRILL EXISTING HANDHOLE	EACH	11
SIGNAL HEAD, LED, 1-FACE, 3-SECTION, MAST-ARM MOUNTED	EACH	7
SIGNAL HEAD, LED, 1-FACE, 3-SECTION, BRACKET MOUNTED	EACH	4
SIGNAL HEAD, LED, 1-FACE, 5-SECTION, BRACKET MOUNTED	EACH	4
SIGNAL HEAD, LED, 1-FACE, 5-SECTION, MAST-ARM MOUNTED	EACH	4
PEDESTRIAN SIGNAL HEAD, LED, 1-FACE, BRACKET MOUNTED WITH COUNTDOWN TIMER	EACH	2
TRAFFIC SIGNAL BACKPLATE, LOUVERED, FORMED PLASTIC	EACH	11
INDUCTIVE LOOP DETECTOR	EACH	2
DETECTOR LOOP, TYPE I	FOOT	291
RELOCATE EXISTING TRAFFIC SIGNAL EQUIPMENT	EACH	1
REMOVE ELECTRIC CABLE FROM CONDUIT	FOOT	1,555
REMOVE EXISTING TRAFFIC SIGNAL EQUIPMENT	EACH	1
REMOVE EXISTING HANDHOLE	EACH	3
REMOVE EXISTING CONCRETE FOUNDATION	EACH	4
EMERGENCY VEHICLE PRIORITY SYSTEM LINE SENSOR CABLE, NO. 20 3/C	FOOT	362
OUTDOOR RATED NETWORK CABLE	FOOT	104
TEMPORARY INFORMATION SIGNING	SQ FT	51.4
ELECTRIC METER	EACH	1
FULL-ACTUATED CONTROLLER IN EXISTING CABINET	EACH	1
UNINTERRUPTABLE POWER SUPPLY AND CABINET (SPECIAL)	EACH	1
ACCESSIBLE PEDESTRIAN SIGNALS	EACH	2
LED SIGNAL FACE, LENS COVER	EACH	19
REMOTE CONTROLLED VIDEO SYSTEM	EACH	1
RE-OPTIMIZE TRAFFIC SIGNAL SYSTEM LEVEL 1	EACH	1

**TS 965
LCDOT PASSAGE
FORMER ECON 147**

USER NAME = Iovan,plascencia	DESIGNED - IP	REVISED -	STATE OF ILLINOIS DEPARTMENT OF TRANSPORTATION	STREET NAME SIGNS AND SCHEDULE OF QUANTITIES US RTE 12 (RAND RD) AT LONG GROVE RD	F.A. RTE.	SECTION	COUNTY	TOTAL SHEETS	SHEET NO.	
	DRAWN - IP	REVISED -			VAR	2026-2160-TS	VARIOUS	58	28	
	CHECKED - NB	REVISED -			CONTRACT NO. 80C89					
PLOT DATE =	DATE - 3/20/2026	REVISED -			SCALE:	SHEET	OF	SHEETS	STA.	TO
					ILLINOIS FED. AID PROJECT					

REMOVAL AND RELOCATION NOTES:

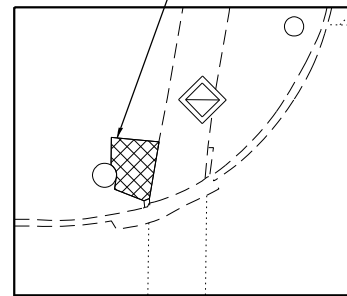
THE FOLLOWING ITEMS SHALL BE REMOVED BY THE CONTRACTOR AND BE DISPOSED OF BY THEM OUTSIDE THE RIGHT-OF-WAY AT THEIR EXPENSE. THIS WORK SHALL BE PAID UNDER THE PAY ITEM REMOVE EXISTING TRAFFIC SIGNAL EQUIPMENT.

- 1 EACH TRAFFIC SIGNAL CABINET (COMPLETE)
- 1 EACH UNINTERRUPTABLE POWER SUPPLY (COMPLETE)
- 1 EACH SERVICE CABINET
- 4 EACH MAST ARM ASSEMBLY AND POLE
- 4 EACH TRAFFIC SIGNAL POST
- 16 EACH TRAFFIC SIGNAL HEAD
- 2 EACH PEDESTRIAN SIGNAL HEAD
- 2 EACH PEDESTRIAN PUSH-BUTTON
- 2 EACH STREET NAME SIGN PANEL

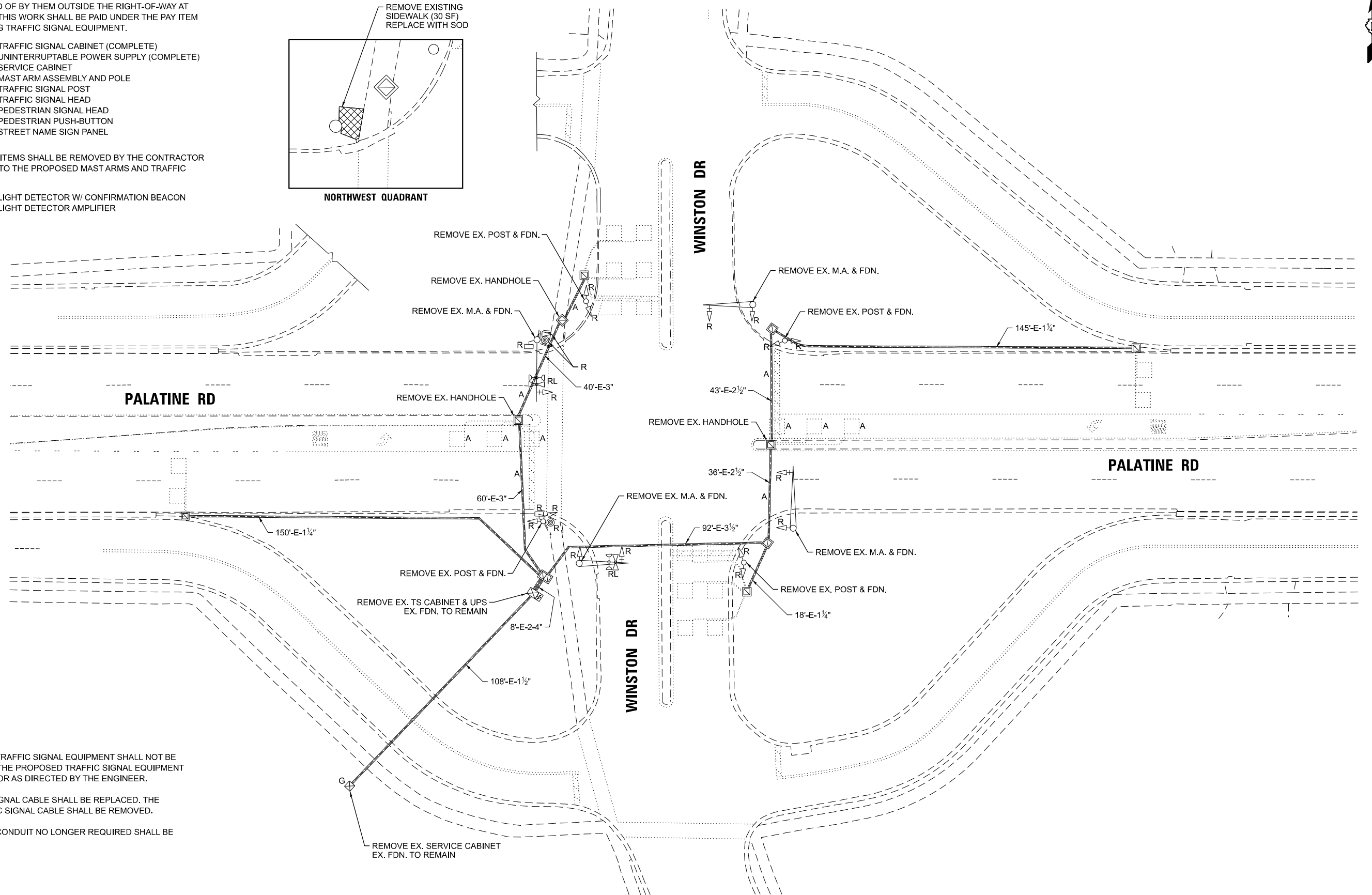
THE FOLLOWING ITEMS SHALL BE REMOVED BY THE CONTRACTOR AND RELOCATED TO THE PROPOSED MAST ARMS AND TRAFFIC SIGNAL CABINET.

- 2 EACH LIGHT DETECTOR W/ CONFIRMATION BEACON
- 1 EACH LIGHT DETECTOR AMPLIFIER

REMOVE EXISTING SIDEWALK (30 SF)
REPLACE WITH SOD



NORTHWEST QUADRANT



NOTES:

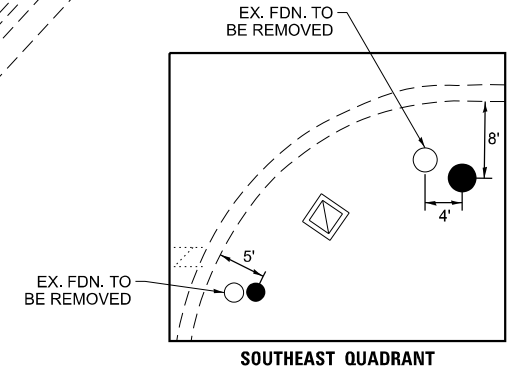
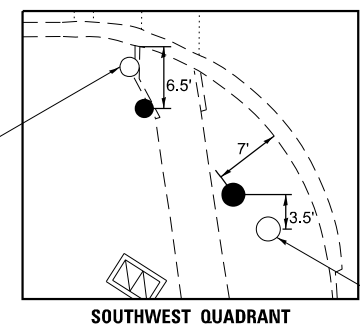
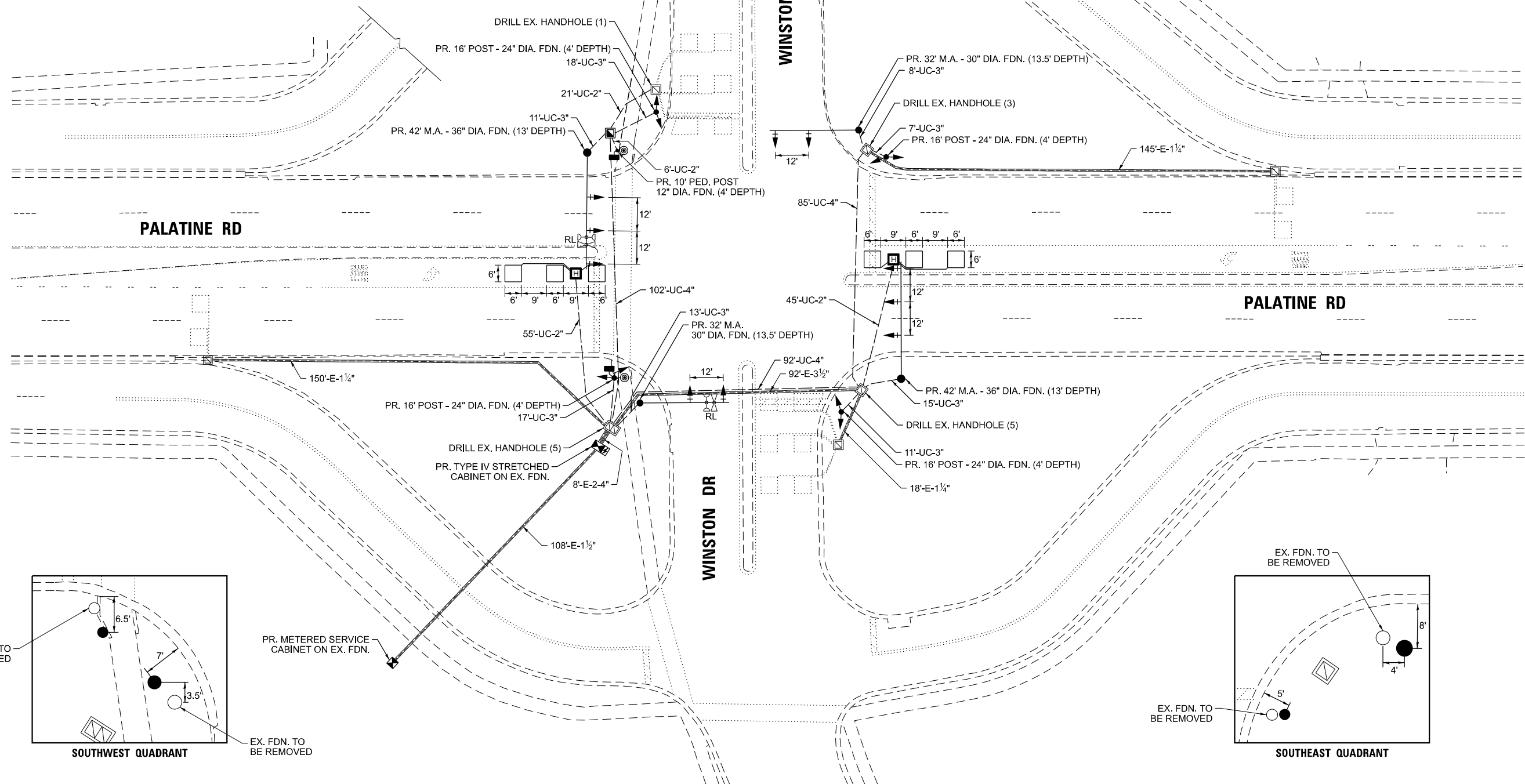
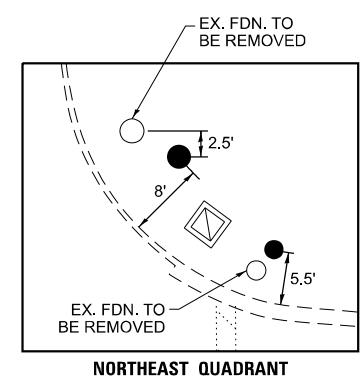
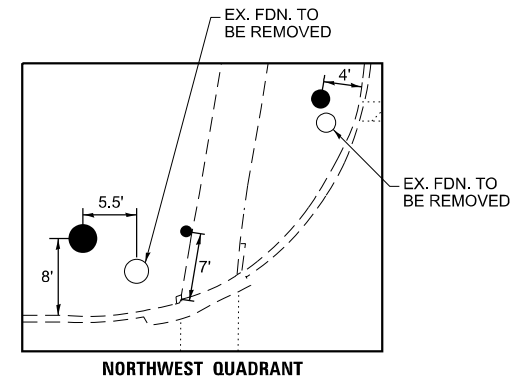
1. THE EXISTING TRAFFIC SIGNAL EQUIPMENT SHALL NOT BE REMOVED UNTIL THE PROPOSED TRAFFIC SIGNAL EQUIPMENT IS OPERATIONAL OR AS DIRECTED BY THE ENGINEER.
2. ALL TRAFFIC SIGNAL CABLE SHALL BE REPLACED. THE EXISTING TRAFFIC SIGNAL CABLE SHALL BE REMOVED.
3. THE EXISTING CONDUIT NO LONGER REQUIRED SHALL BE ABANDONED.

TS 5635

USER NAME = kovan,plascencia	DESIGNED - IP	REVISED -	STATE OF ILLINOIS DEPARTMENT OF TRANSPORTATION	TRAFFIC SIGNAL REMOVAL PLAN PALATINE RD AT WINSTON DR				F.A. RTE.	SECTION	COUNTY	TOTAL SHEETS	SHEET NO.
	DRAWN - IP	REVISED -						VAR	2026-2160-TS	VARIOUS	58	29
	CHECKED - NB	REVISED -		CONTRACT NO. 80C89				ILLINOIS FED. AID PROJECT				
PLOT DATE =	DATE - 3/20/2026	REVISED -		SCALE:	SHEET	OF	SHEETS	STA.	TO	STA.		

NOTES:

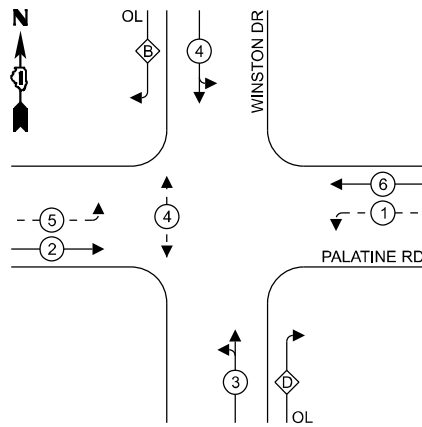
1. THE EXISTING TRAFFIC SIGNAL EQUIPMENT SHALL NOT BE REMOVED UNTIL THE PROPOSED TRAFFIC SIGNAL EQUIPMENT IS OPERATIONAL OR AS DIRECTED BY THE ENGINEER.
2. ALL TRAFFIC SIGNAL CABLE SHALL BE REPLACED. THE EXISTING TRAFFIC SIGNAL CABLE SHALL BE REMOVED.
3. THE PROPOSED PUSH-BUTTONS SHALL BE APS.
4. THIS LOCATION HAS BEEN DESIGNED TO BE PROWAG/MUTCD COMPLIANT. ANY DEVIATION FROM THIS PLAN FOR THE TRAFFIC SIGNAL POSTS THAT HAVE PEDESTRIAN EQUIPMENT WILL HAVE TO BE APPROVED BY THE ENGINEER TO ENSURE COMPLIANCE.
5. THE CONTRACTOR SHALL GROUND THE ENTIRE TRAFFIC SIGNAL SYSTEM FOLLOWING THE REQUIREMENTS OF THE STATE STANDARD, D1 TRAFFIC SIGNAL DETAILS, AND THE SPECIAL PROVISIONS.



TS 5635

USER NAME = <i>lovan,plascencia</i> DESIGNED - IP DRAWN - IP CHECKED - NB PLOT DATE =			DESIGNED - IP REVISED - DRAWN - IP REVISED - CHECKED - NB REVISED - DATE - 3/20/2026 REVISED -			STATE OF ILLINOIS DEPARTMENT OF TRANSPORTATION			TRAFFIC SIGNAL MODERNIZATION PLAN PALATINE RD AT WINSTON DR			F.A. RTE. SECTION VAR 2026-2160-TS		COUNTY VARIOUS		TOTAL SHEETS 58		SHEET NO. 30	
SCALE:						SHEET		OF		SHEETS		STA.		TO		STA.		ILLINOIS FED. AID PROJECT	

EXISTING AND PROPOSED CONTROLLER PHASE DIAGRAM



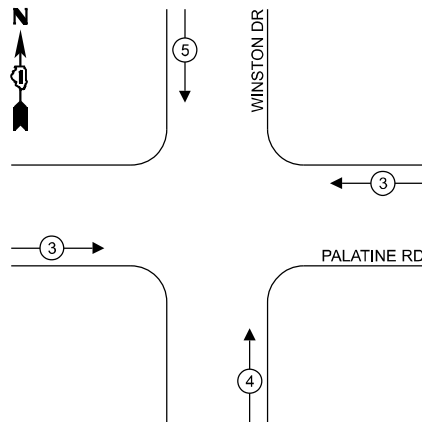
LEGEND:

- ← (⊙) ← PROTECTED PHASE
- ← - (⊙) ← PROTECTED/PERMISSIVE PHASE
- ← (⊙) → PEDESTRIAN PHASE
- ← (⊙) ← OL OVERLAP

RIGHT TURN OVERLAP PHASE DESIGNATION:

OVERLAP LETTER	PERMISSIVE PHASE	PROTECTED PHASE
B	= 4	+ 5
D	= 3	+ 1

EXISTING AND PROPOSED EMERGENCY VEHICLE PREEMPTION PHASE DIAGRAM



NOTES:

- ALL RED SIGNAL INDICATIONS SHALL HAVE A LENS COVER.

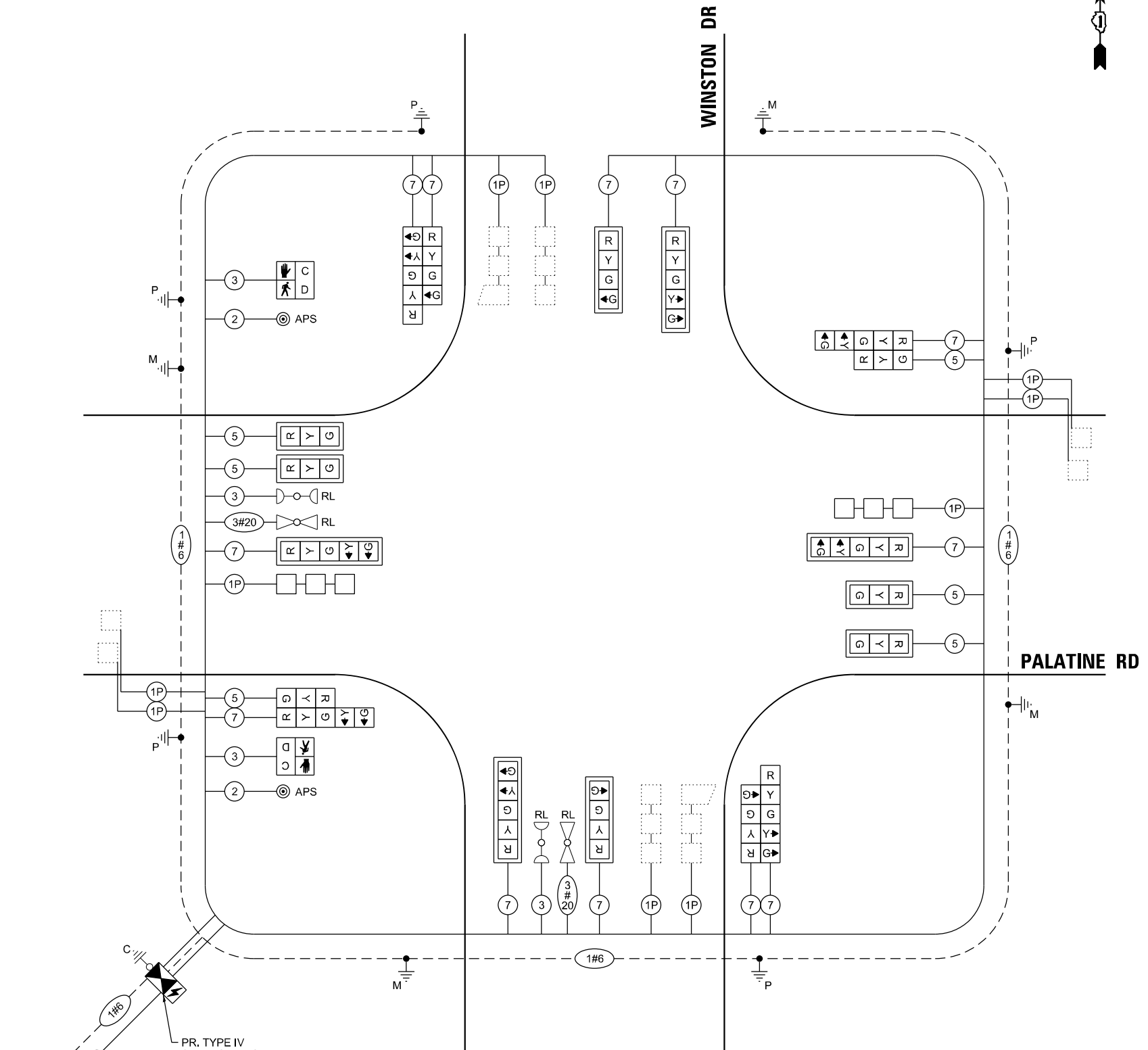
TRAFFIC SIGNAL ELECTRIC SERVICE REQUIREMENTS

EQUIPMENT TYPE	QUANTITY	UNIT WATTAGE	TOTAL WATTAGE
SIGNAL HEAD	1 OR 3-SECTION	6	11
	4-SECTION	4	14
	5-SECTION	8	13
PROGRAMMABLE	3-SECTION	-	22
	4-SECTION	-	32
	5-SECTION	-	28
PEDESTRIAN SIGNAL CONTROLLER	2	15	30
MASTER CONTROLLER	1	150	150
UPS	1	25	25
DETECTION VIDEO	-	20	-
BLANK-OUT SIGN	-	25	-
NETWORK SWITCH II OR III	-	35	-
CELLULAR MODEM	-	15	-
PTZ CAMERA	-	75	-
TOTAL UPS SIZING			431
UPS CHARGING	1	225	225
BATTERY HEATER MAT	1	180	180
CABINET HEATER	1	200	200
FLASHER	-	15	-
LED STREET NAME SIGN	-	120	-
LUMINAIRE	-	240	-
TOTAL SERVICE WIRE SIZING			1,036

ENERGY COSTS TO:

VILLAGE OF PALATINE
200 E WOOD ST
PALATINE, IL 60067

ENERGY SUPPLY: CONTACT: NEW BUSINESS
PHONE: 866-639-3532
COMPANY: COMED
ACCOUNT NUMBER: 6366886000
METER NUMBER: ---



CABLE PLAN

STATE OF ILLINOIS
DEPARTMENT OF TRANSPORTATION

**CABLE PLAN AND PHASE DIAGRAMS
PALATINE RD AT WINSTON DR**

SCALE: SHEET OF SHEETS STA. TO STA.

F.A. RTE.	SECTION	COUNTY	TOTAL SHEETS	SHEET NO.
VAR	2026-2160-TS	VARIOUS	58	31
CONTRACT NO. 80C89				
ILLINOIS FED. AID PROJECT				

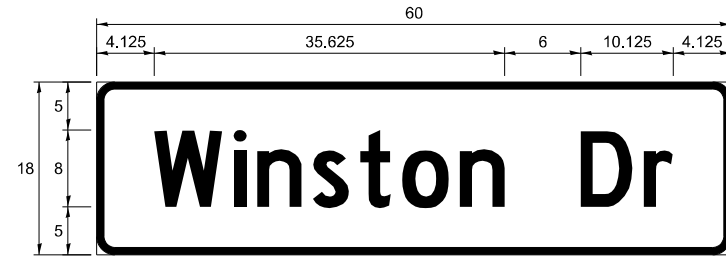
TS 5635

USER NAME = lovan,plascencia
DESIGNED - IP
DRAWN - IP
CHECKED - NB
PLOT DATE =
DATE - 3/20/2026

REVISD -
REVISD -
REVISD -
REVISD -

SIGN PANEL – TYPE 1

ALL DIMENSIONS ARE IN INCHES UNLESS NOTED OTHERWISE



DESIGN SERIES	AREA (SQ FT)	SIGN PANEL TYPE	SHEETING TYPE	QTY REQUIRED
D	7.5	1	ZZ	2



DESIGN SERIES	AREA (SQ FT)	SIGN PANEL TYPE	SHEETING TYPE	QTY REQUIRED
D	7.5	1	ZZ	2

NOTE: FOR ADDITIONAL DESIGN AND INSTALLATION INFORMATION SEE DISTRICT STANDARD TS-02 - MAST ARM MOUNTED STREET NAME SIGNS.

SCHEDULE OF QUANTITIES

ITEM DESCRIPTION	UNITS	TOTAL QTY
SUPPLEMENTAL WATERING	UNIT	1
TOPSOIL FURNISH AND PLACE, 4"	SQ YD	4
SODDING, SALT TOLERANT	SQ YD	4
SIDEWALK REMOVAL	SQ FT	30
SIGN PANEL - TYPE 1	SQ FT	30
UNDERGROUND CONDUIT, GALVANIZED STEEL, 2" DIA.	FOOT	127
UNDERGROUND CONDUIT, GALVANIZED STEEL, 3" DIA.	FOOT	100
UNDERGROUND CONDUIT, GALVANIZED STEEL, 4" DIA.	FOOT	279
HANDHOLE	EACH	1
HEAVY-DUTY HANDHOLE	EACH	2
MAINTENANCE OF EXISTING TRAFFIC SIGNAL INSTALLATION	EACH	1
GROUNDING EXISTING HANDHOLE FRAME AND COVER	EACH	3
ELECTRIC CABLE IN CONDUIT, SIGNAL NO. 14 2C	FOOT	204
ELECTRIC CABLE IN CONDUIT, SIGNAL NO. 14 3C	FOOT	509
ELECTRIC CABLE IN CONDUIT, SIGNAL NO. 14 5C	FOOT	1,056
ELECTRIC CABLE IN CONDUIT, SIGNAL NO. 14 7C	FOOT	2,078
ELECTRIC CABLE IN CONDUIT, LEAD-IN, NO. 14 1 PAIR	FOOT	1,978
ELECTRIC CABLE IN CONDUIT, SERVICE, NO. 6 2 C	FOOT	130
ELECTRIC CABLE IN CONDUIT, EQUIPMENT GROUNDING CONDUCTOR, NO. 6 1C	FOOT	670
TRAFFIC SIGNAL POST, 16 FT.	EACH	4
STEEL MAST ARM ASSEMBLY AND POLE, 32 FT.	EACH	2
STEEL MAST ARM ASSEMBLY AND POLE, 42 FT.	EACH	2
CONCRETE FOUNDATION, TYPE A	FOOT	16
CONCRETE FOUNDATION, TYPE E 30-INCH DIAMETER	FOOT	27
CONCRETE FOUNDATION, TYPE E 36-INCH DIAMETER	FOOT	26
DRILL EXISTING HANDHOLE	EACH	14
SIGNAL HEAD, LED, 1-FACE, 3-SECTION, MAST-ARM MOUNTED	EACH	4
SIGNAL HEAD, LED, 1-FACE, 3-SECTION, BRACKET MOUNTED	EACH	2
SIGNAL HEAD, LED, 1-FACE, 4-SECTION, BRACKET MOUNTED	EACH	2
SIGNAL HEAD, LED, 1-FACE, 4-SECTION, MAST ARM MOUNTED	EACH	2
SIGNAL HEAD, LED, 1-FACE, 5-SECTION, BRACKET MOUNTED	EACH	4
SIGNAL HEAD, LED, 1-FACE, 5-SECTION, MAST-ARM MOUNTED	EACH	4
PEDESTRIAN SIGNAL HEAD, LED, 1-FACE, BRACKET MOUNTED WITH COUNTDOWN TIMER	EACH	2
TRAFFIC SIGNAL BACKPLATE, LOUVERED, FORMED PLASTIC	EACH	10
INDUCTIVE LOOP DETECTOR	EACH	10
DETECTOR LOOP, TYPE I	FOOT	194
RELOCATE EXISTING TRAFFIC SIGNAL EQUIPMENT	EACH	1
REMOVE ELECTRIC CABLE FROM CONDUIT	FOOT	3,675
REMOVE EXISTING TRAFFIC SIGNAL EQUIPMENT	EACH	1
REMOVE EXISTING HANDHOLE	EACH	3
REMOVE EXISTING CONCRETE FOUNDATION	EACH	8
EMERGENCY VEHICLE PRIORITY SYSTEM LINE SENSOR CABLE, NO. 20 3/C	FOOT	297
SERVICE INSTALLATION, GROUND MOUNTED, METERED	EACH	1
PEDESTRIAN SIGNAL POST, 10 FT.	EACH	1
TEMPORARY INFORMATION SIGNING	SQ FT	51.4
FULL-ACTUATED CONTROLLER AND TYPE IV STRETCHED CABINET (SPECIAL)	EACH	1
UNINTERRUPTABLE POWER SUPPLY AND CABINET (SPECIAL)	EACH	1
ACCESSIBLE PEDESTRIAN SIGNALS	EACH	2
CONCRETE FOUNDATION, TYPE A 12-INCH DIAMETER	FOOT	4
LED SIGNAL FACE, LENS COVER	EACH	18
RE-OPTIMIZE TRAFFIC SIGNAL SYSTEM LEVEL 1	EACH	1
* REMOVE AND REPLACE ANCHOR BOLTS	EACH	4

* NOMINAL QUANTITY TO BE USED AS NEEDED AND AS APPROVED BY THE ENGINEER

TS 5635

USER NAME = Iovan,plascencia	DESIGNED - IP	REVISED -	<p align="center">STATE OF ILLINOIS DEPARTMENT OF TRANSPORTATION</p>	<p align="center">STREET NAME SIGNS AND SCHEDULE OF QUANTITIES PALATINE RD AT WINSTON DR</p>	F.A. RTE.	SECTION	COUNTY	TOTAL SHEETS	SHEET NO.	
	DRAWN - IP	REVISED -			VAR	2026-2160-TS	VARIOUS	58	32	
	CHECKED - NB	REVISED -			CONTRACT NO. 80C89					
PLOT DATE =	DATE - 3/20/2026	REVISED -			SCALE:	SHEET	OF	SHEETS	STA.	TO
					ILLINOIS FED. AID PROJECT					

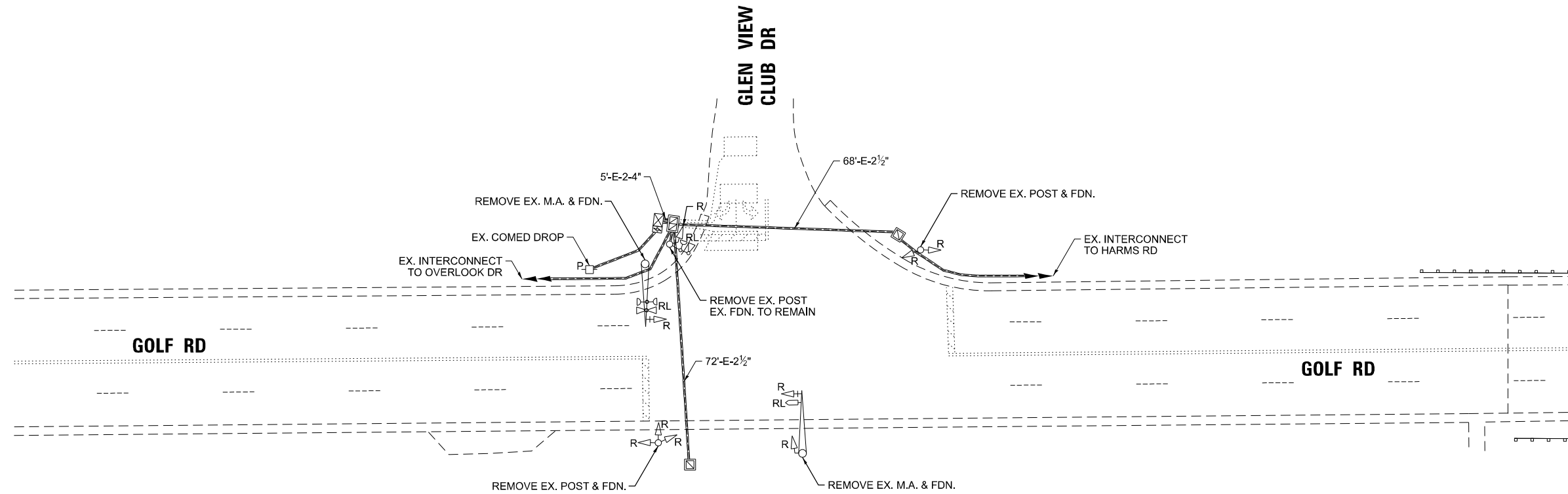
REMOVAL AND RELOCATION NOTES:

THE FOLLOWING ITEMS SHALL BE REMOVED BY THE CONTRACTOR AND BE DISPOSED OF BY THEM OUTSIDE THE RIGHT-OF-WAY AT THEIR EXPENSE. THIS WORK SHALL BE PAID UNDER THE PAY ITEM REMOVE EXISTING TRAFFIC SIGNAL EQUIPMENT.

- 2 EACH MAST ARM ASSEMBLY AND POLE
- 3 EACH TRAFFIC SIGNAL POST
- 9 EACH TRAFFIC SIGNAL HEAD

THE FOLLOWING ITEMS SHALL BE REMOVED BY THE CONTRACTOR AND RELOCATED TO THE PROPOSED MAST ARMS AND POST.

- 2 EACH LIGHT DETECTOR W/ CONFIRMATION BEACON
- 1 EACH PACE WIRELESS ACCESS POINT

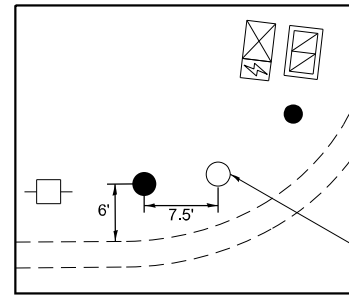
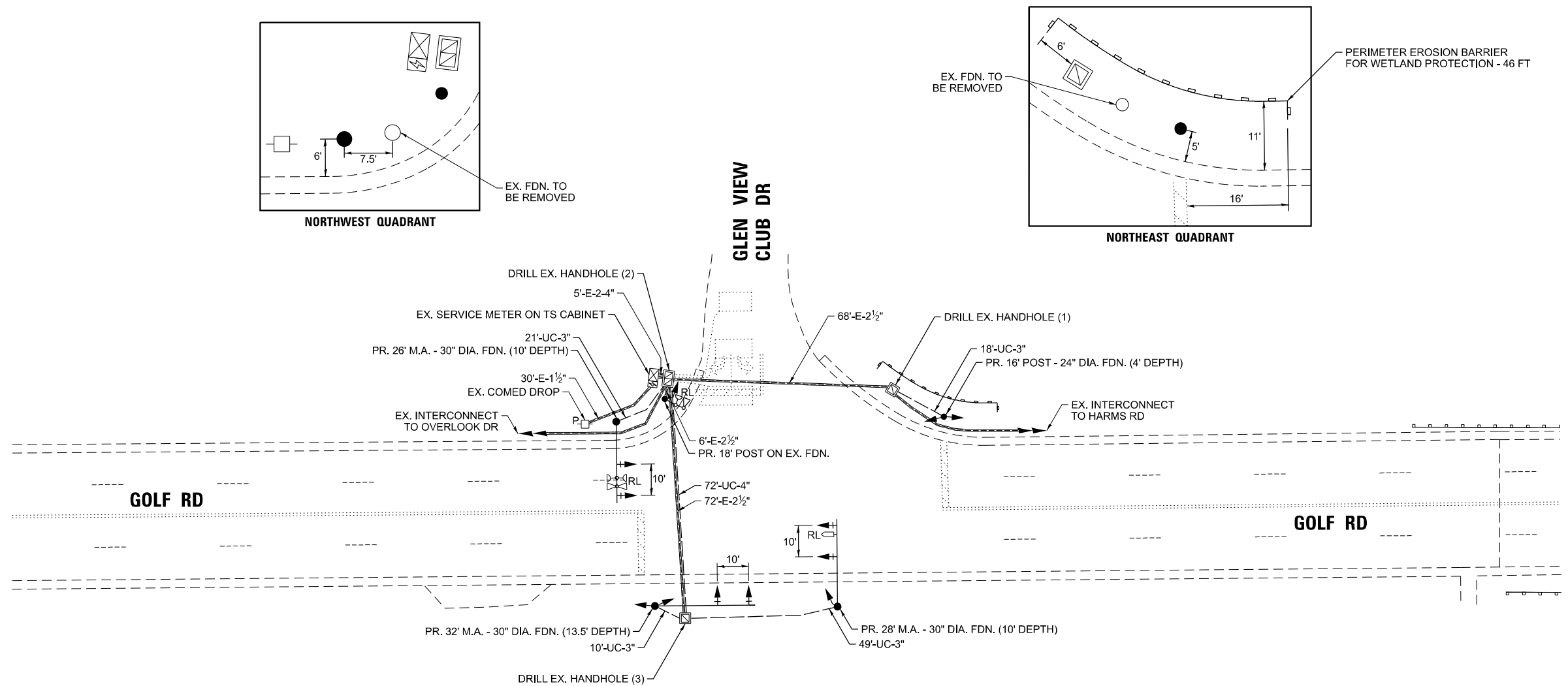


NOTES:

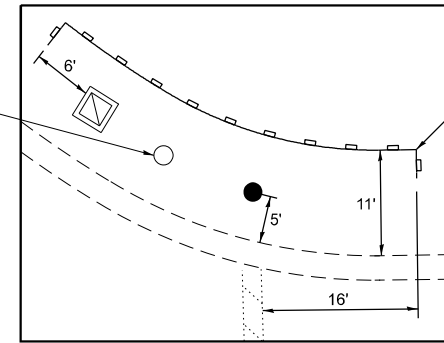
1. THE EXISTING TRAFFIC SIGNAL EQUIPMENT SHALL NOT BE REMOVED UNTIL THE PROPOSED TRAFFIC SIGNAL EQUIPMENT IS OPERATIONAL OR AS DIRECTED BY THE ENGINEER.
2. THE EXISTING TRAFFIC SIGNAL CABLE NO LONGER REQUIRED SHALL BE REMOVED.
3. THE EXISTING CONDUIT NO LONGER REQUIRED SHALL BE ABANDONED.
4. THIS LOCATION HAS TRANSIT PRIORITY EQUIPMENT. THE CONTRACTOR SHALL CONTACT PACE AT 847-228-4287 OR 847-613-5889 IF COORDINATION IS REQUIRED.

**TS 5175
ECON 8**

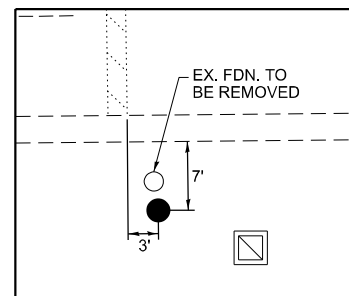
USER NAME = <i>lovan,plascencia</i>	DESIGNED - IP	REVISED -	STATE OF ILLINOIS DEPARTMENT OF TRANSPORTATION	TRAFFIC SIGNAL REMOVAL PLAN GOLF RD AT GLEN VIEW CLUB DR		F.A. RTE.	SECTION	COUNTY	TOTAL SHEETS	SHEET NO.
	DRAWN - IP	REVISED -				VAR	2026-2160-TS	VARIOUS	58	33
CHECKED - NB	REVISED -	CONTRACT NO. 80C89								
DATE - 3/20/2026	REVISED -	SCALE:		SHEET	OF	SHEETS	STA.	TO	STA.	ILLINOIS FED. AID PROJECT



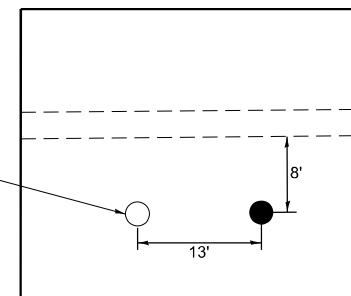
NORTHWEST QUADRANT



NORTHEAST QUADRANT



SOUTHWEST QUADRANT



SOUTHEAST QUADRANT

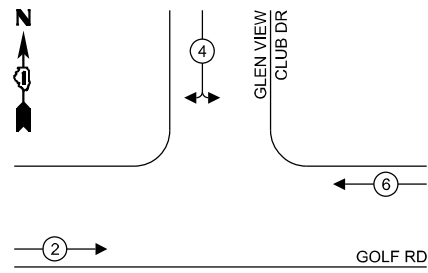
NOTES:

1. THE EXISTING TRAFFIC SIGNAL EQUIPMENT SHALL NOT BE REMOVED UNTIL THE PROPOSED TRAFFIC SIGNAL EQUIPMENT IS OPERATIONAL OR AS DIRECTED BY THE ENGINEER.
2. ALL EXISTING TRAFFIC SIGNAL CABLE NO LONGER REQUIRED SHALL BE REMOVED.
3. ALL PROPOSED TRAFFIC SIGNAL CABLE SHALL BE ROUTED THROUGH THE PROPOSED CONDUIT.
4. THIS LOCATION HAS TRANSIT PRIORITY EQUIPMENT. THE CONTRACTOR SHALL CONTACT PACE AT 847-228-4287 OR 847-613-5889 IF COORDINATION IS REQUIRED.

**TS 5175
ECON 8**

USER NAME = <i>lovan,plascencia</i>	DESIGNED - IP	REVISED - IP 4/28/2026	STATE OF ILLINOIS DEPARTMENT OF TRANSPORTATION	TRAFFIC SIGNAL MODERNIZATION PLAN GOLF RD AT GLEN VIEW CLUB DR	F.A. RTE.	SECTION	COUNTY	TOTAL SHEETS	SHEET NO.
	DRAWN - IP	REVISED -			VAR	2026-2160-TS	ILLINOIS	VARIOUS	58
PLOT DATE =	CHECKED - NB	REVISED -	SCALE: SHEET OF SHEETS STA. TO STA.		CONTRACT NO. 80C89				
	DATE - 3/20/2026	REVISED -			ILLINOIS FED. AID PROJECT				

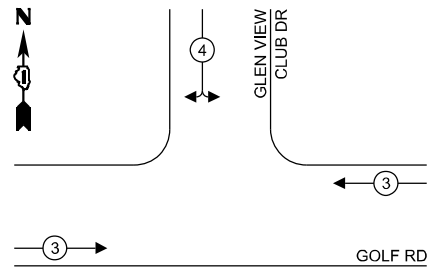
**EXISTING CONTROLLER
PHASE DIAGRAM**



LEGEND:

- ◉ PROTECTED PHASE
- ◉- PROTECTED/PERMISSIVE PHASE
- ◉- PEDESTRIAN PHASE

**EXISTING EMERGENCY VEHICLE
PREEMPTION PHASE DIAGRAM**



NOTES:

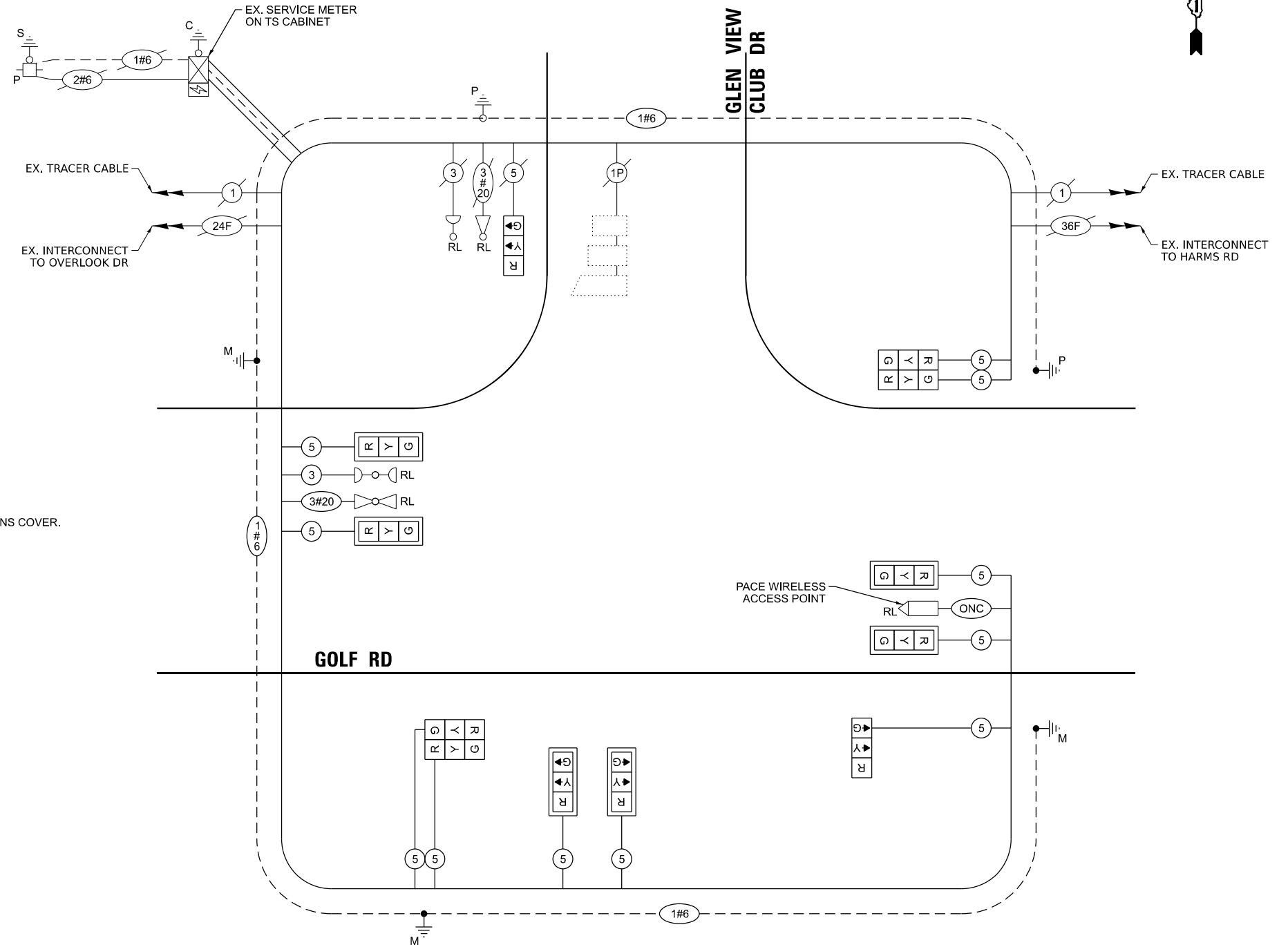
1. ALL RED SIGNAL INDICATIONS SHALL HAVE A LENS COVER.

**TRAFFIC SIGNAL
ELECTRIC SERVICE REQUIREMENTS**

EQUIPMENT TYPE	QUANTITY	UNIT WATTAGE	TOTAL WATTAGE
SIGNAL HEAD 1 OR 3-SECTION	12	11	132
	-	14	-
	-	13	-
PROGRAMMABLE 3-SECTION	-	22	-
	-	32	-
	-	28	-
PEDESTRIAN SIGNAL CONTROLLER	1	150	150
MASTER CONTROLLER	-	100	-
UPS	1	25	25
DETECTION VIDEO	-	20	-
BLANK-OUT SIGN	-	25	-
NETWORK SWITCH II OR III	1	35	35
CELLULAR MODEM	-	15	-
PTZ CAMERA	-	75	-
TOTAL UPS SIZING		342	
UPS CHARGING	1	225	225
BATTERY HEATER MAT	1	180	180
CABINET HEATER	1	200	200
FLASHER	-	15	-
LED STREET NAME SIGN	-	120	-
LUMINAIRE	-	240	-
TOTAL SERVICE WIRE SIZING		947	

ENERGY COSTS TO:
GLEN VIEW CLUB
 100 GOLF RD, PO BOX 309
 GOLF, IL 60029

ENERGY SUPPLY: CONTACT: ---
 PHONE: ---
 COMPANY: COMED
 ACCOUNT NUMBER: 00312-96325
 METER NUMBER: ---



CABLE PLAN

USER NAME = Iovan,plascencia	DESIGNED - IP	REVISED -
	DRAWN - IP	REVISED -
	CHECKED - NB	REVISED -
PLOT DATE =	DATE - 3/20/2026	REVISED -

**STATE OF ILLINOIS
DEPARTMENT OF TRANSPORTATION**

**CABLE PLAN AND PHASE DIAGRAMS
GOLF RD AT GLEN VIEW CLUB DR**

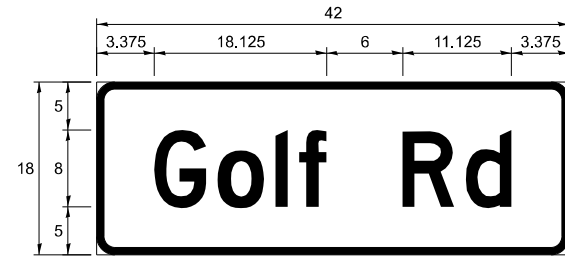
SCALE: SHEET OF SHEETS STA. TO STA.

F.A. RTE.	SECTION	COUNTY	TOTAL SHEETS	SHEET NO.
VAR	2026-2160-TS	VARIOUS	58	35
CONTRACT NO. 80C89				
ILLINOIS FED. AID PROJECT				

**TS 5175
ECON 8**

SIGN PANEL – TYPE 1

ALL DIMENSIONS ARE IN INCHES UNLESS NOTED OTHERWISE



DESIGN SERIES	AREA (SQ FT)	SIGN PANEL TYPE	SHEETING TYPE	QTY REQUIRED
D	5.25	1	ZZ	1

NOTE: FOR ADDITIONAL DESIGN AND INSTALLATION INFORMATION SEE DISTRICT STANDARD TS-02 - MAST ARM MOUNTED STREET NAME SIGNS.

SCHEDULE OF QUANTITIES

ITEM DESCRIPTION	UNITS	TOTAL QTY
PERIMETER EROSION BARRIER	FOOT	46
SIGN PANEL - TYPE 1	SQ FT	5.25
UNDERGROUND CONDUIT, GALVANIZED STEEL, 3" DIA.	FOOT	98
UNDERGROUND CONDUIT, GALVANIZED STEEL, 4" DIA.	FOOT	72
MAINTENANCE OF EXISTING TRAFFIC SIGNAL INSTALLATION	EACH	1
ELECTRIC CABLE IN CONDUIT, SIGNAL NO. 14 3C	FOOT	90
ELECTRIC CABLE IN CONDUIT, SIGNAL NO. 14 5C	FOOT	1,591
ELECTRIC CABLE IN CONDUIT, EQUIPMENT GROUNDING CONDUCTOR, NO. 6 1C	FOOT	225
TRAFFIC SIGNAL POST, 16 FT.	EACH	1
TRAFFIC SIGNAL POST, 18 FT.	EACH	1
STEEL MAST ARM ASSEMBLY AND POLE, 26 FT.	EACH	1
STEEL MAST ARM ASSEMBLY AND POLE, 28 FT.	EACH	1
STEEL MAST ARM ASSEMBLY AND POLE, 32 FT.	EACH	1
CONCRETE FOUNDATION, TYPE A	FOOT	4
CONCRETE FOUNDATION, TYPE E 30-INCH DIAMETER	FOOT	33.5
DRILL EXISTING HANDHOLE	EACH	6
SIGNAL HEAD, LED, 1-FACE, 3-SECTION, MAST-ARM MOUNTED	EACH	6
SIGNAL HEAD, LED, 1-FACE, 3-SECTION, BRACKET MOUNTED	EACH	6
TRAFFIC SIGNAL BACKPLATE, LOUVERED, FORMED PLASTIC	EACH	6
RELOCATE EXISTING TRAFFIC SIGNAL EQUIPMENT	EACH	1
REMOVE ELECTRIC CABLE FROM CONDUIT	FOOT	885
REMOVE EXISTING TRAFFIC SIGNAL EQUIPMENT	EACH	1
REMOVE EXISTING CONCRETE FOUNDATION	EACH	4
EMERGENCY VEHICLE PRIORITY SYSTEM LINE SENSOR CABLE, NO. 20 3/C	FOOT	90
TEMPORARY INFORMATION SIGNING	SQ FT	51.4
LED SIGNAL FACE, LENS COVER	EACH	12
RE-OPTIMIZE TRAFFIC SIGNAL SYSTEM LEVEL 1	EACH	1

**TS 5175
ECON 8**

USER NAME = <i>lovan,plascencia</i>	DESIGNED - IP	REVISED - IP 4/28/2026	STATE OF ILLINOIS DEPARTMENT OF TRANSPORTATION	STREET NAME SIGNS AND SCHEDULE OF QUANTITIES GOLF RD AT GLEN VIEW CLUB DR		F.A. RTE.	SECTION	COUNTY	TOTAL SHEETS	SHEET NO.
	DRAWN - IP	REVISED -				VAR	2026-2160-TS	VARIOUS	58	36
	CHECKED - NB	REVISED -		CONTRACT NO. 80C89						
PLOT DATE =	DATE - 3/20/2026	REVISED -		SCALE:	SHEET OF SHEETS	STA. TO STA.	ILLINOIS FED. AID PROJECT			

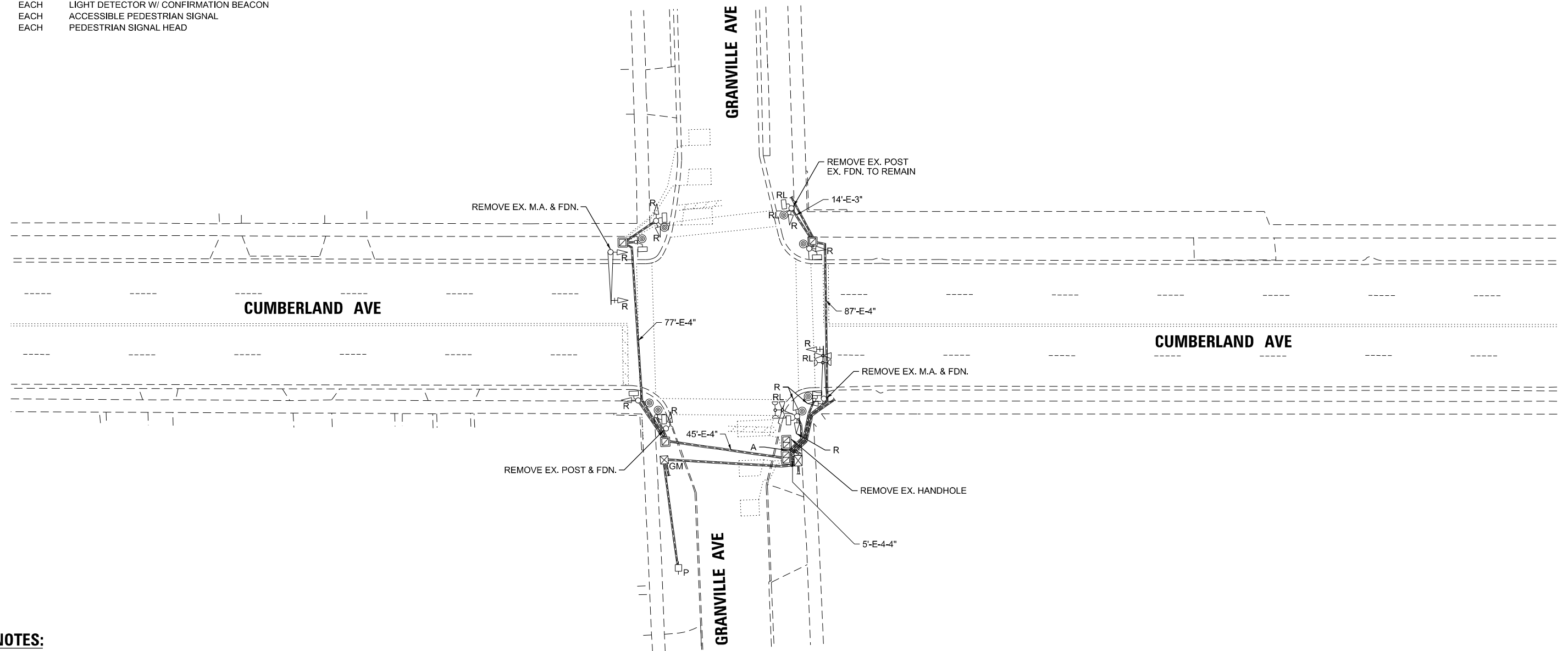
REMOVAL AND RELOCATION NOTES:

THE FOLLOWING ITEMS SHALL BE REMOVED BY THE CONTRACTOR AND BE DISPOSED OF BY THEM OUTSIDE THE RIGHT-OF-WAY AT THEIR EXPENSE. THIS WORK SHALL BE PAID UNDER THE PAY ITEM REMOVE EXISTING TRAFFIC SIGNAL EQUIPMENT.

- 2 EACH MAST ARM ASSEMBLY AND POLE
- 2 EACH TRAFFIC SIGNAL POST
- 12 EACH TRAFFIC SIGNAL HEAD
- 3 EACH STREET NAME SIGN PANEL

THE FOLLOWING ITEMS SHALL BE REMOVED BY THE CONTRACTOR AND RELOCATED TO THE PROPOSED MAST ARMS AND POST.

- 2 EACH LIGHT DETECTOR W/ CONFIRMATION BEACON
- 1 EACH ACCESSIBLE PEDESTRIAN SIGNAL
- 1 EACH PEDESTRIAN SIGNAL HEAD

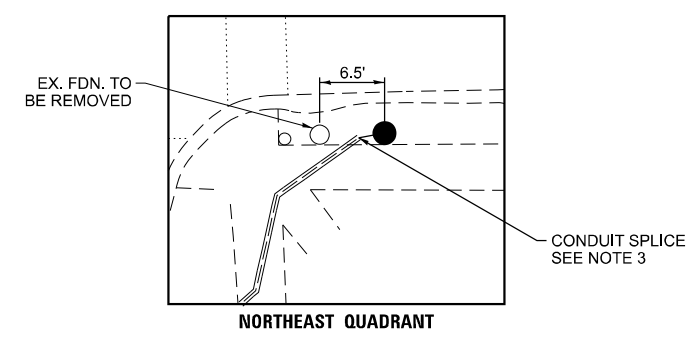
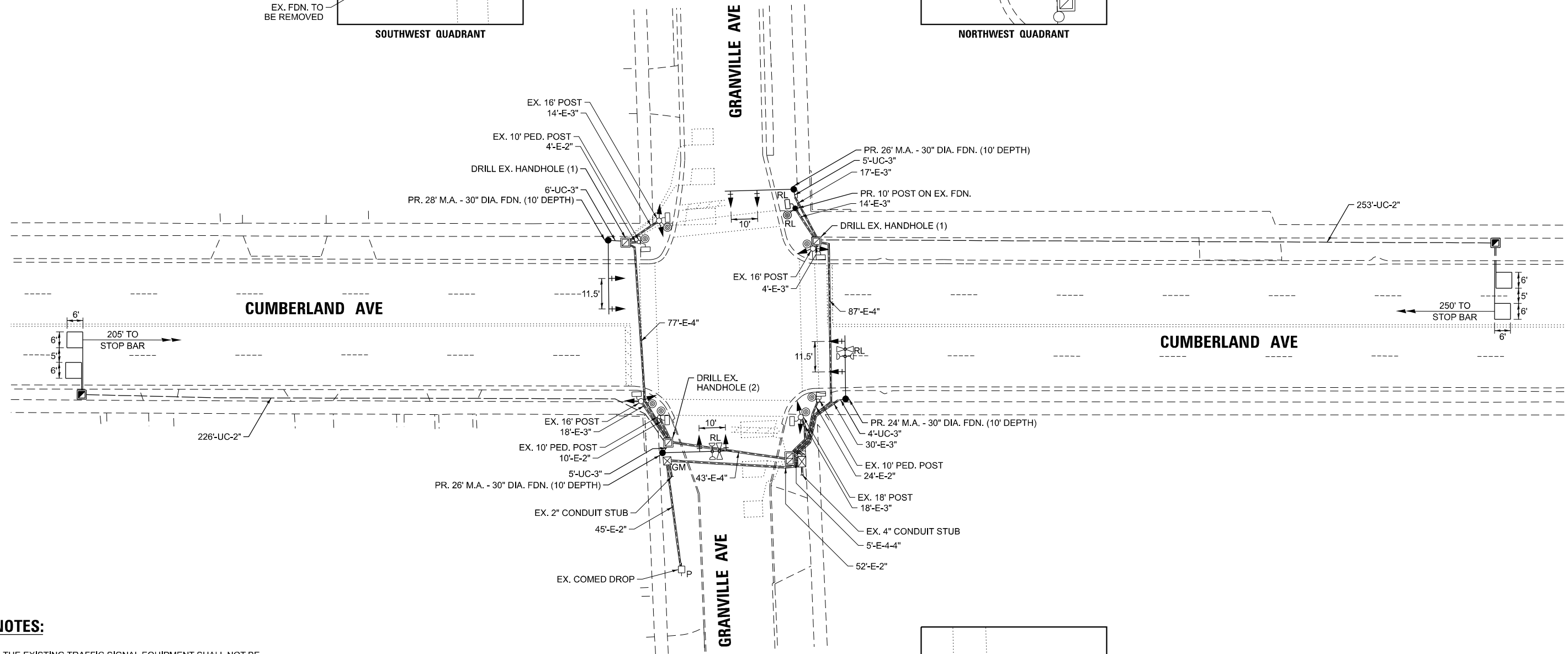
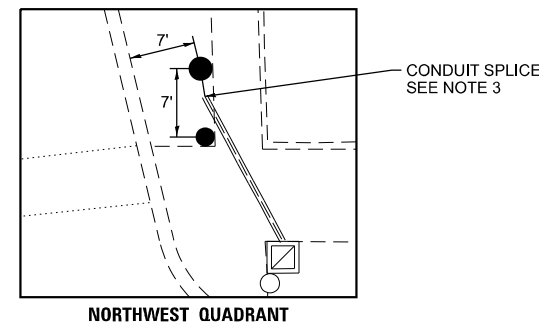
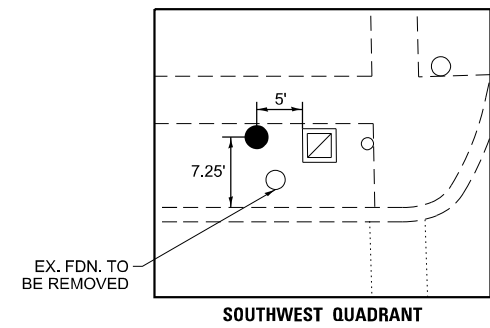


NOTES:

1. THE EXISTING TRAFFIC SIGNAL EQUIPMENT SHALL NOT BE REMOVED UNTIL THE PROPOSED TRAFFIC SIGNAL EQUIPMENT IS OPERATIONAL OR AS DIRECTED BY THE ENGINEER.
2. THE EXISTING TRAFFIC SIGNAL CABLE NO LONGER REQUIRED SHALL BE REMOVED.
3. THE EXISTING CONDUIT NO LONGER REQUIRED SHALL BE ABANDONED.

TS 9180

USER NAME = <i>lovan,plascencia</i>	DESIGNED - IP	REVISED -	STATE OF ILLINOIS DEPARTMENT OF TRANSPORTATION	TRAFFIC SIGNAL REMOVAL PLAN CUMBERLAND AVE AT GRANVILLE AVE	F.A. RTE.	SECTION	COUNTY	TOTAL SHEETS	SHEET NO.
	DRAWN - IP	REVISED -			VAR	2026-2160-TS	VARIOUS	58	37
PLOT DATE =	CHECKED - NB	REVISED -	SCALE: SHEET OF SHEETS STA. TO STA.		CONTRACT NO. 80C89				
DATE - 3/20/2026	REVISED -				ILLINOIS FED. AID PROJECT				



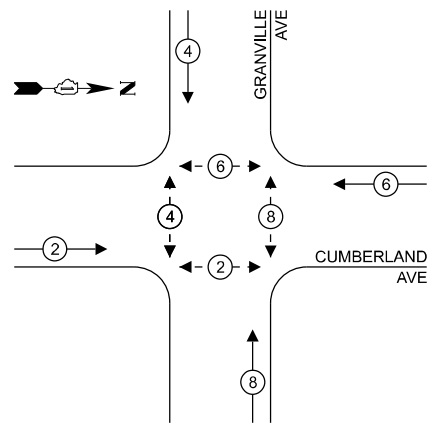
NOTES:

1. THE EXISTING TRAFFIC SIGNAL EQUIPMENT SHALL NOT BE REMOVED UNTIL THE PROPOSED TRAFFIC SIGNAL EQUIPMENT IS OPERATIONAL OR AS DIRECTED BY THE ENGINEER.
2. ALL EXISTING TRAFFIC SIGNAL CABLE NO LONGER REQUIRED SHALL BE REMOVED.
3. THE CONTRACTOR SHALL LOCATE THE EXISTING 3" CAPPED CONDUIT TO DETERMINE THE FINAL LOCATIONS OF THE MAST ARM FOUNDATIONS ON THE NORTHEAST AND NORTHWEST QUADRANTS.

TS 9180

USER NAME = <i>lovan,plascencia</i>	DESIGNED - IP	REVISED -	STATE OF ILLINOIS DEPARTMENT OF TRANSPORTATION	TRAFFIC SIGNAL MODERNIZATION PLAN CUMBERLAND AVE AT GRANVILLE AVE			F.A. RTE.	SECTION	COUNTY	TOTAL SHEETS	SHEET NO.
	DRAWN - IP	REVISED -					VAR	2026-2160-TS	VARIOUS	58	38
PLOT DATE =	CHECKED - NB	REVISED -				CONTRACT NO. 80C89			ILLINOIS FED. AID PROJECT		
	DATE - 3/20/2026	REVISED -	SCALE:			SHEET	OF	SHEETS	STA.	TO STA.	

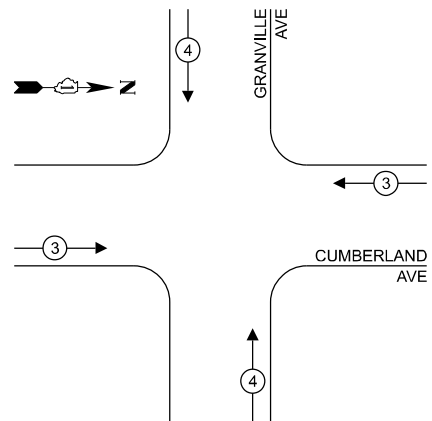
**EXISTING CONTROLLER
PHASE DIAGRAM**



LEGEND:

- ← (⊙) → PROTECTED PHASE
- ← (⊙) - → PROTECTED/PERMISSIVE PHASE
- ← (⊙) ⊕ → PEDESTRIAN PHASE

**EXISTING EMERGENCY VEHICLE
PREEMPTION PHASE DIAGRAM**



NOTES:

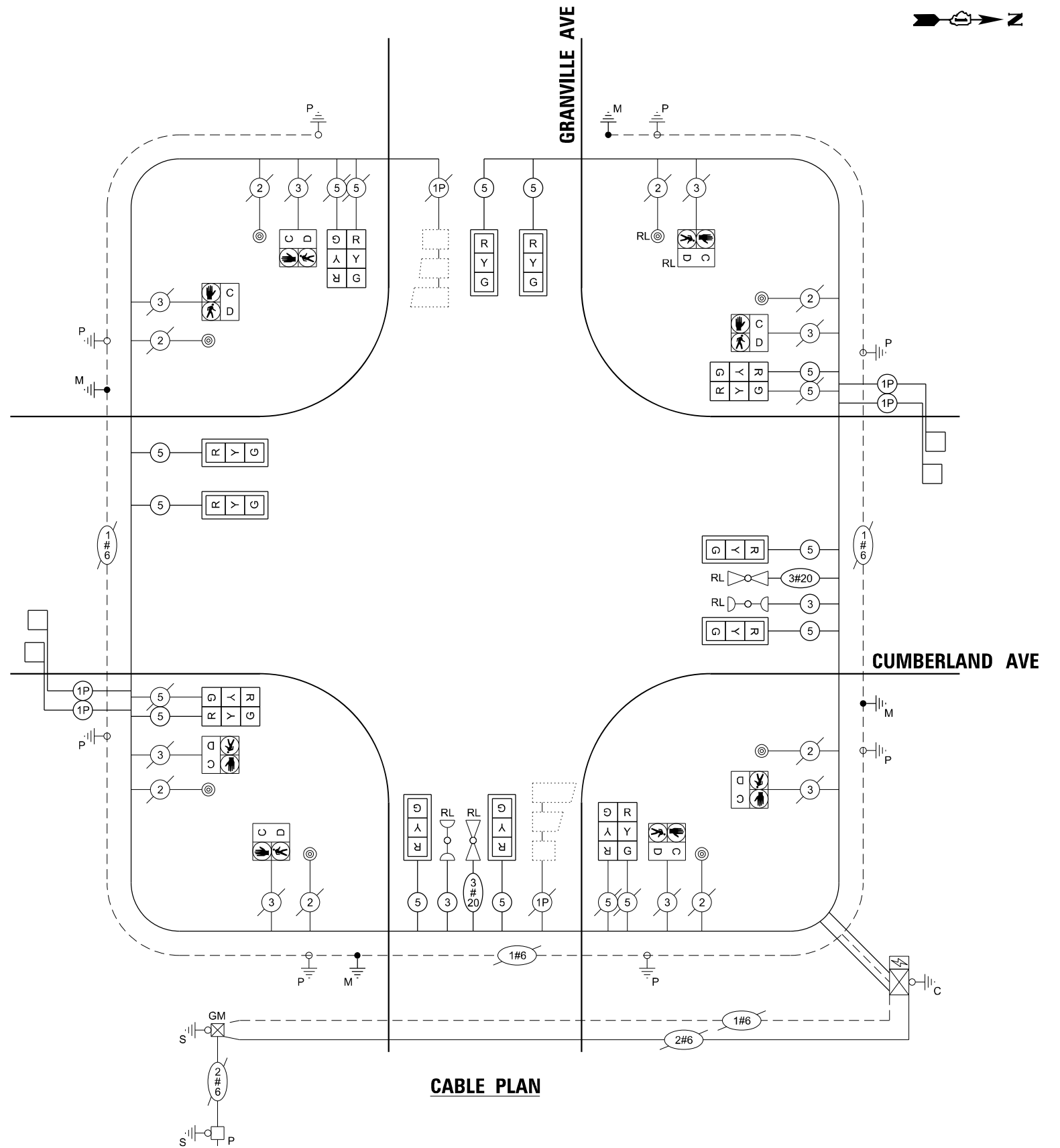
1. ALL RED SIGNAL INDICATIONS SHALL HAVE A LENS COVER.
2. THE EXISTING PUSH-BUTTONS ARE APS.

**TRAFFIC SIGNAL
ELECTRIC SERVICE REQUIREMENTS**

EQUIPMENT TYPE	QUANTITY	UNIT WATTAGE	TOTAL WATTAGE
SIGNAL HEAD 1 OR 3-SECTION	16	11	176
4-SECTION	-	14	-
5-SECTION	-	13	-
PROGRAMMABLE 3-SECTION	-	22	-
4-SECTION	-	32	-
5-SECTION	-	28	-
PEDESTRIAN SIGNAL CONTROLLER	8	15	120
MASTER CONTROLLER	1	150	150
UPS	-	100	-
DETECTION VIDEO	1	25	25
BLANK-OUT SIGN	-	20	-
NETWORK SWITCH II OR III	-	25	-
CELLULAR MODEM	-	35	-
PTZ CAMERA	-	15	-
	-	75	-
TOTAL UPS SIZING			471
UPS CHARGING	1	225	225
BATTERY HEATER MAT	1	180	180
CABINET HEATER	1	200	200
FLASHER	-	15	-
LED STREET NAME SIGN	-	120	-
LUMINAIRE	-	240	-
TOTAL SERVICE WIRE SIZING			1,076

ENERGY COSTS TO:
CITY OF PARK RIDGE
 505 BUTLER PLACE
 PARK RIDGE, IL 60068

ENERGY SUPPLY: CONTACT: ---
 PHONE: ---
 COMPANY: COMED
 ACCOUNT NUMBER: 99720-47000
 METER NUMBER: ---



CABLE PLAN

**STATE OF ILLINOIS
DEPARTMENT OF TRANSPORTATION**

**CABLE PLAN AND PHASE DIAGRAMS
CUMBERLAND AVE AT GRANVILLE AVE**

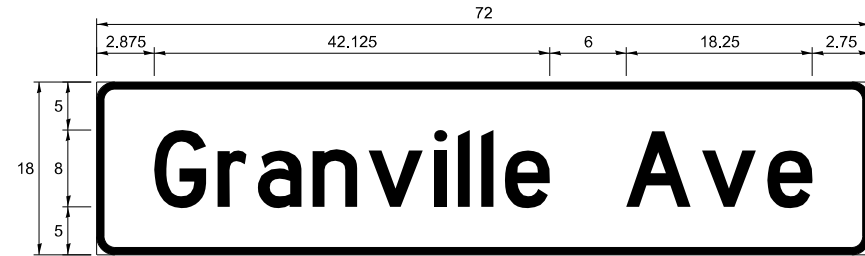
SCALE: SHEET OF SHEETS STA. TO STA.

F.A. RTE.	SECTION	COUNTY	TOTAL SHEETS	SHEET NO.
VAR	2026-2160-TS	VARIOUS	58	39
CONTRACT NO. 80C89				
ILLINOIS FED. AID PROJECT				

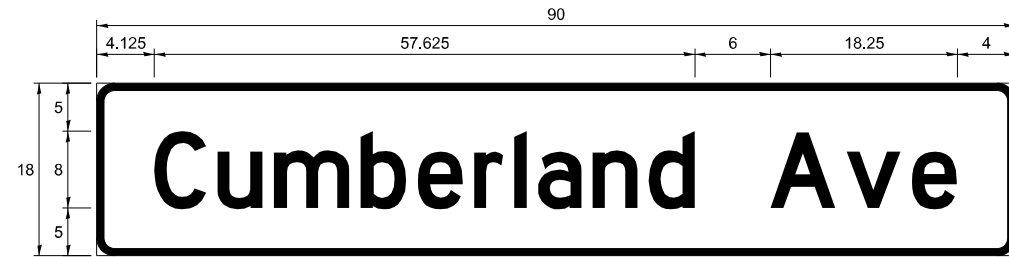
TS 9180

SIGN PANEL – TYPE 1 OR TYPE 2

ALL DIMENSIONS ARE IN INCHES UNLESS NOTED OTHERWISE



DESIGN SERIES	AREA (SQ FT)	SIGN PANEL TYPE	SHEETING TYPE	QTY REQUIRED
D	9	1	ZZ	2



DESIGN SERIES	AREA (SQ FT)	SIGN PANEL TYPE	SHEETING TYPE	QTY REQUIRED
D	11.25	2	ZZ	2

NOTE: FOR ADDITIONAL DESIGN AND INSTALLATION INFORMATION SEE DISTRICT STANDARD TS-02 - MAST ARM MOUNTED STREET NAME SIGNS.

SCHEDULE OF QUANTITIES

ITEM DESCRIPTION	UNITS	TOTAL QTY
SIGN PANEL - TYPE 1	SQ FT	18
SIGN PANEL - TYPE 2	SQ FT	22.5
UNDERGROUND CONDUIT, GALVANIZED STEEL, 2" DIA.	FOOT	479
UNDERGROUND CONDUIT, GALVANIZED STEEL, 3" DIA.	FOOT	20
HANDHOLE	EACH	2
MAINTENANCE OF EXISTING TRAFFIC SIGNAL INSTALLATION	EACH	1
GROUNDING EXISTING HANDHOLE FRAME AND COVER	EACH	3
ELECTRIC CABLE IN CONDUIT, SIGNAL NO. 14 3C	FOOT	224
ELECTRIC CABLE IN CONDUIT, SIGNAL NO. 14 5C	FOOT	1,468
ELECTRIC CABLE IN CONDUIT, LEAD-IN, NO. 14 1 PAIR	FOOT	1,362
ELECTRIC CABLE IN CONDUIT, EQUIPMENT GROUNDING CONDUCTOR, NO. 6 1C	FOOT	135
TRAFFIC SIGNAL POST, 10 FT.	EACH	1
STEEL MAST ARM ASSEMBLY AND POLE, 24 FT.	EACH	1
STEEL MAST ARM ASSEMBLY AND POLE, 26 FT.	EACH	2
STEEL MAST ARM ASSEMBLY AND POLE, 28 FT.	EACH	1
CONCRETE FOUNDATION, TYPE E 30-INCH DIAMETER	FOOT	40
DRILL EXISTING HANDHOLE	EACH	4
SIGNAL HEAD, LED, 1-FACE, 3-SECTION, MAST-ARM MOUNTED	EACH	8
SIGNAL HEAD, LED, 1-FACE, 3-SECTION, BRACKET MOUNTED	EACH	8
TRAFFIC SIGNAL BACKPLATE, LOUVERED, FORMED PLASTIC	EACH	8
INDUCTIVE LOOP DETECTOR	EACH	4
DETECTOR LOOP, TYPE I	FOOT	132
RELOCATE EXISTING TRAFFIC SIGNAL EQUIPMENT	EACH	1
REMOVE ELECTRIC CABLE FROM CONDUIT	FOOT	720
REMOVE EXISTING TRAFFIC SIGNAL EQUIPMENT	EACH	1
REMOVE EXISTING HANDHOLE	EACH	1
REMOVE EXISTING CONCRETE FOUNDATION	EACH	3
EMERGENCY VEHICLE PRIORITY SYSTEM LINE SENSOR CABLE, NO. 20 3/C	FOOT	224
TEMPORARY INFORMATION SIGNING	SQ FT	51.4
LED SIGNAL FACE, LENS COVER	EACH	16
RE-OPTIMIZE TRAFFIC SIGNAL SYSTEM LEVEL 1	EACH	1

TS 9180

USER NAME = Iovan,plascencia	DESIGNED - IP	REVISED -	STATE OF ILLINOIS DEPARTMENT OF TRANSPORTATION	STREET NAME SIGNS AND SCHEDULE OF QUANTITIES CUMBERLAND AVE AT GRANVILLE AVE	F.A. RTE.	SECTION	COUNTY	TOTAL SHEETS	SHEET NO.	
	DRAWN - IP	REVISED -			VAR	2026-2160-TS	VARIOUS	58	40	
	CHECKED - NB	REVISED -			CONTRACT NO. 80C89					
PLOT DATE =	DATE - 3/20/2026	REVISED -			SCALE:	SHEET OF SHEETS	STA.	TO STA.	ILLINOIS FED. AID PROJECT	

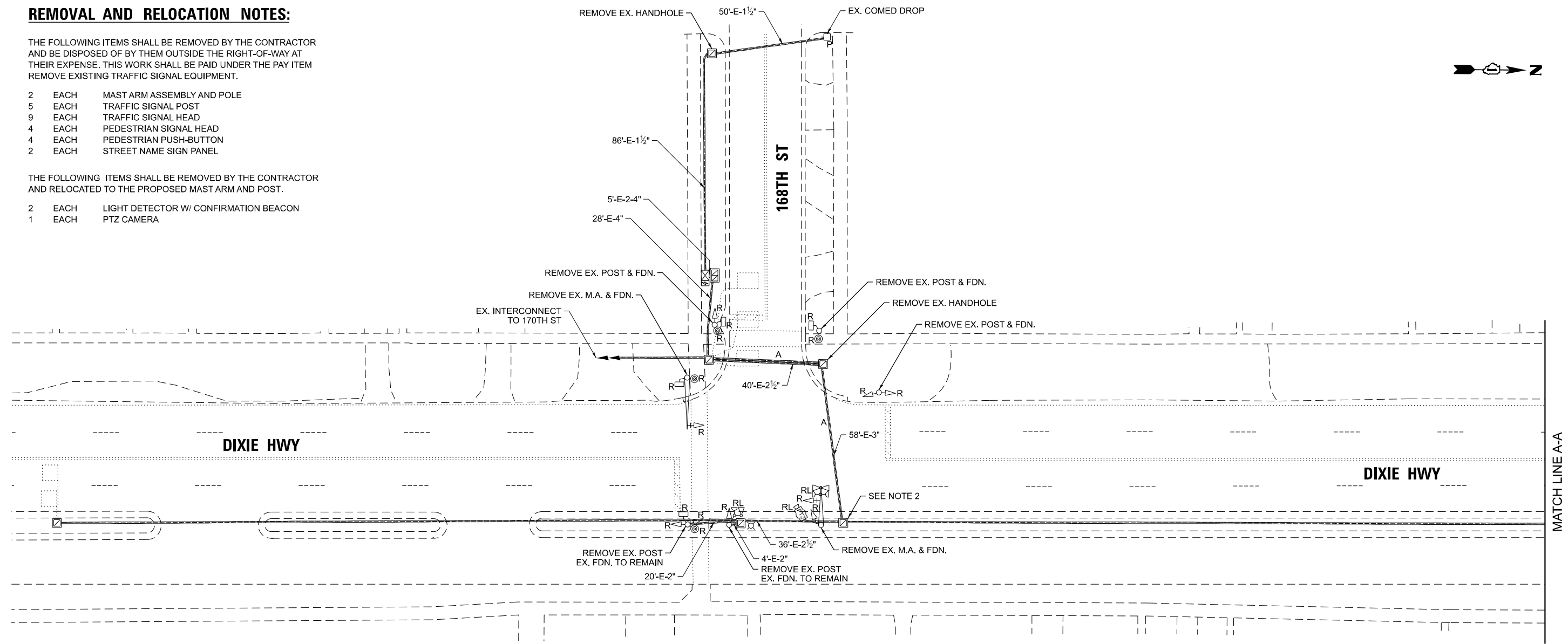
REMOVAL AND RELOCATION NOTES:

THE FOLLOWING ITEMS SHALL BE REMOVED BY THE CONTRACTOR AND BE DISPOSED OF BY THEM OUTSIDE THE RIGHT-OF-WAY AT THEIR EXPENSE. THIS WORK SHALL BE PAID UNDER THE PAY ITEM REMOVE EXISTING TRAFFIC SIGNAL EQUIPMENT.

- 2 EACH MAST ARM ASSEMBLY AND POLE
- 5 EACH TRAFFIC SIGNAL POST
- 9 EACH TRAFFIC SIGNAL HEAD
- 4 EACH PEDESTRIAN SIGNAL HEAD
- 4 EACH PEDESTRIAN PUSH-BUTTON
- 2 EACH STREET NAME SIGN PANEL

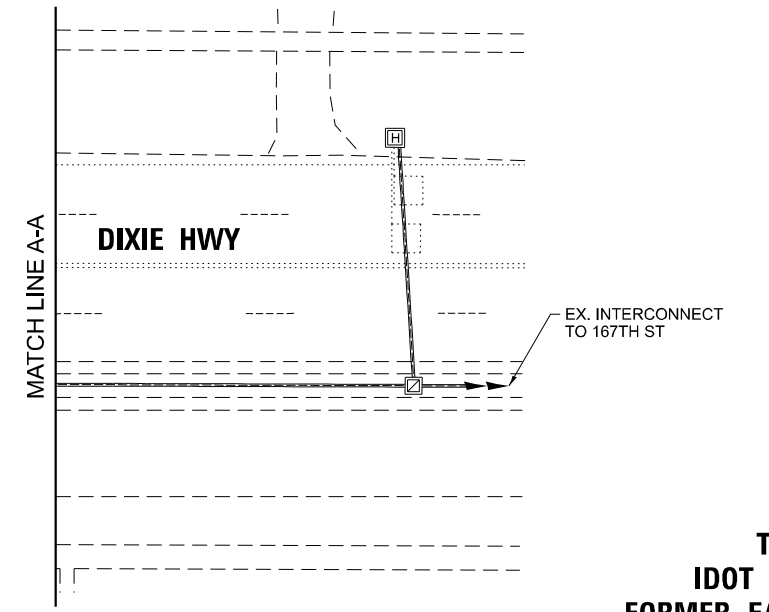
THE FOLLOWING ITEMS SHALL BE REMOVED BY THE CONTRACTOR AND RELOCATED TO THE PROPOSED MAST ARM AND POST.

- 2 EACH LIGHT DETECTOR W/ CONFIRMATION BEACON
- 1 EACH PTZ CAMERA



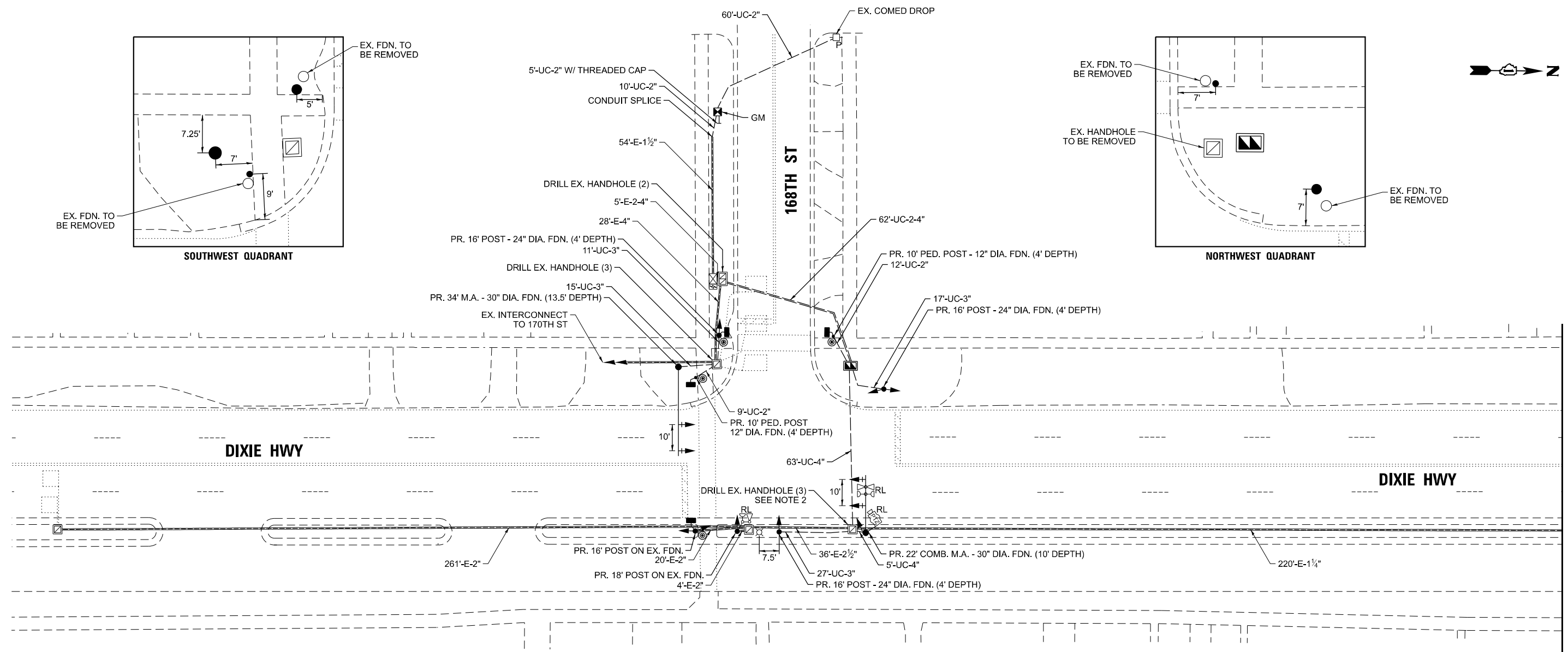
NOTES:

1. THE EXISTING TRAFFIC SIGNAL EQUIPMENT SHALL NOT BE REMOVED UNTIL THE PROPOSED TRAFFIC SIGNAL EQUIPMENT IS OPERATIONAL OR AS DIRECTED BY THE ENGINEER.
2. THE EXISTING FIBER AND TRACER CABLES TO 167TH ST AND THE FAR BACK DETECTION LEAD IN CABLES FOR NORTHBOUND AND SOUTHBOUND DIXIE HWY SHALL BE DISCONNECTED FROM THE CONTROLLER CABINET AND PULLED BACK TO THE EXISTING HANDHOLE ON THE NORTHEAST QUADRANT. THEY SHALL BE REINSTALLED THROUGH THE PROPOSED CONDUIT AND PROPOSED DOUBLE HANDHOLE AND BACK TO THE CONTROLLER CABINET. THIS SHALL BE DONE AFTER THE PROPOSED EQUIPMENT IS INSTALLED TO REDUCE DOWN TIME. ALL OTHERS TRAFFIC SIGNAL CABLE SHALL BE REPLACED AS SHOWN IN THE CABLE PLAN. THE EXISTING TRAFFIC SIGNAL CABLES SHALL BE REMOVED.
3. THE EXISTING CONDUIT NO LONGER REQUIRED SHALL BE ABANDONED.



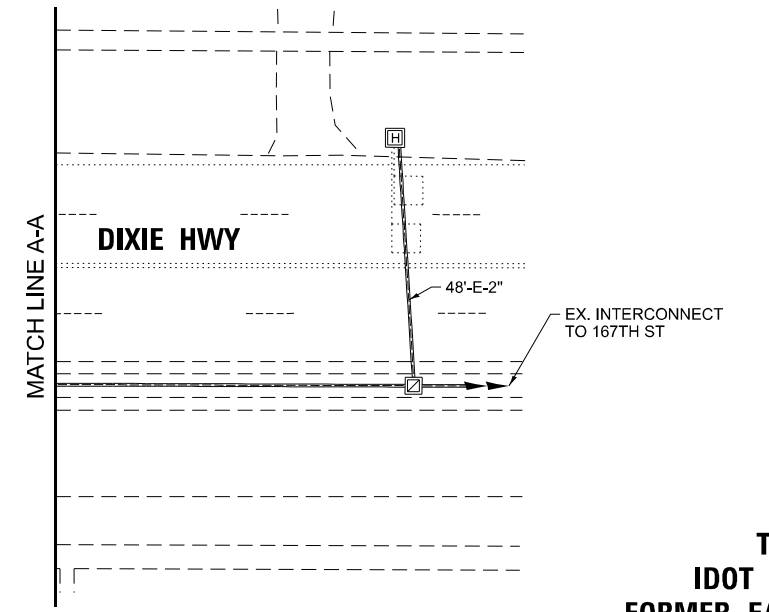
**TS 10845
IDOT TACTICS
FORMER EAGLE 3N**

USER NAME = kovan,plascencia	DESIGNED - IP	REVISED -	STATE OF ILLINOIS DEPARTMENT OF TRANSPORTATION	TRAFFIC SIGNAL REMOVAL PLAN DIXIE HWY AT 168TH ST				F.A. RTE.	SECTION	COUNTY	TOTAL SHEETS	SHEET NO.
	DRAWN - IP	REVISED -						VAR	2026-2160-TS	VARIOUS	58	41
	CHECKED - NB	REVISED -		CONTRACT NO. 80C89								
PLOT DATE =	DATE - 3/20/2026	REVISED -		SCALE:	SHEET	OF	SHEETS	STA.	TO	STA.	ILLINOIS	FED. AID PROJECT



NOTES:

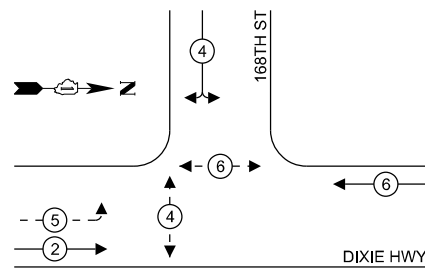
1. THE EXISTING TRAFFIC SIGNAL EQUIPMENT SHALL NOT BE REMOVED UNTIL THE PROPOSED TRAFFIC SIGNAL EQUIPMENT IS OPERATIONAL OR AS DIRECTED BY THE ENGINEER.
2. THE EXISTING FIBER AND TRACER CABLES TO 168TH ST AND THE FAR BACK DETECTION LEAD IN CABLES FOR NORTHBOUND AND SOUTHBOUND DIXIE HWY SHALL BE DISCONNECTED FROM THE CONTROLLER CABINET AND PULLED BACK TO THE EXISTING HANDHOLE ON THE NORTHEAST QUADRANT. THEY SHALL BE REINSTALLED THROUGH THE PROPOSED CONDUIT AND PROPOSED DOUBLE HANDHOLE AND BACK TO THE CONTROLLER CABINET. THIS SHALL BE DONE AFTER THE PROPOSED EQUIPMENT IS INSTALLED TO REDUCE DOWN TIME. ALL OTHERS TRAFFIC SIGNAL CABLE SHALL BE REPLACED AS SHOWN IN THE CABLE PLAN. THE EXISTING TRAFFIC SIGNAL CABLES SHALL BE REMOVED.
3. ALL PROPOSED PUSH-BUTTONS SHALL BE APS.
4. THIS LOCATION HAS BEEN DESIGNED TO BE PROWAG/MUTCD COMPLIANT. ANY DEVIATION FROM THIS PLAN FOR THE TRAFFIC SIGNAL POSTS THAT HAVE PEDESTRIAN EQUIPMENT WILL HAVE TO BE APPROVED BY THE ENGINEER TO ENSURE COMPLIANCE.
5. THE CONTRACTOR SHALL GROUND THE ENTIRE TRAFFIC SIGNAL SYSTEM FOLLOWING THE REQUIREMENTS OF THE STATE STANDARD, D1 TRAFFIC SIGNAL DETAILS, AND THE SPECIAL PROVISIONS.



**TS 10845
IDOT TACTICS
FORMER EAGLE 3N**

USER NAME = Iovan,plascencia DESIGNED - IP DRAWN - IP CHECKED - NB PLOT DATE =			DESIGNED - IP REVISED - DRAWN - IP REVISED - CHECKED - NB REVISED - DATE - 3/20/2026 REVISED -			STATE OF ILLINOIS DEPARTMENT OF TRANSPORTATION			TRAFFIC SIGNAL MODERNIZATION PLAN DIXIE HWY AT 168TH ST			F.A. RTE. SECTION COUNTY TOTAL SHEETS SHEET NO.	
						SCALE:			SHEET OF SHEETS STA. TO STA.		VAR 2026-2160-TS VARIOUS 58 42 CONTRACT NO. 80C89 ILLINOIS FED. AID PROJECT		

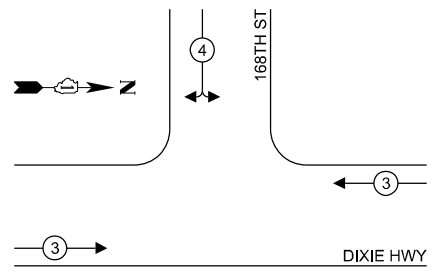
**EXISTING CONTROLLER
PHASE DIAGRAM**



LEGEND:

- ← (⊙) ← PROTECTED PHASE
- ← (⊙) - ← PROTECTED/PERMISSIVE PHASE
- ← (⊙) → PEDESTRIAN PHASE

**EXISTING EMERGENCY VEHICLE
PREEMPTION PHASE DIAGRAM**



NOTES:

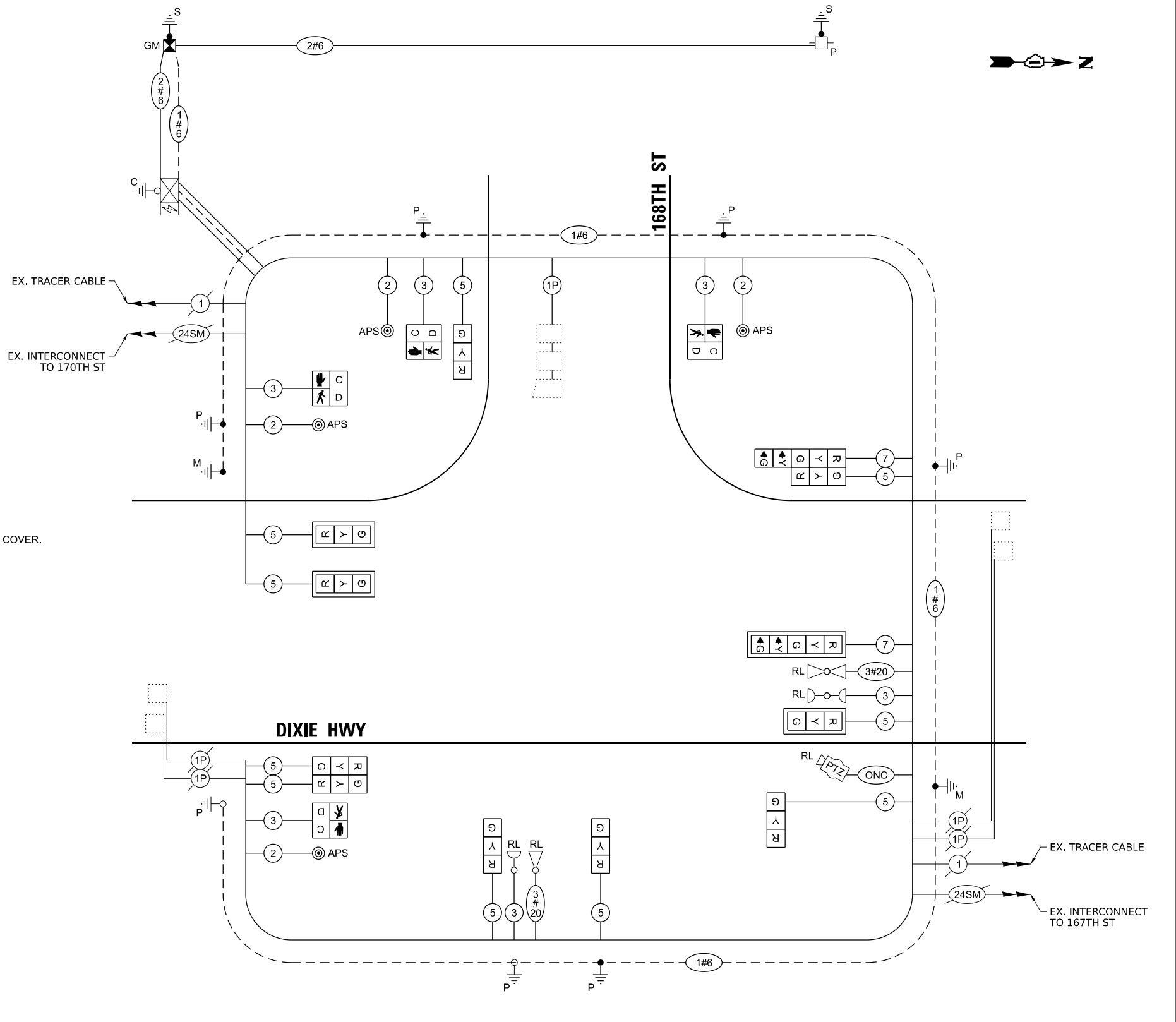
- 1. ALL RED SIGNAL INDICATIONS SHALL HAVE A LENS COVER.

**TRAFFIC SIGNAL
ELECTRIC SERVICE REQUIREMENTS**

EQUIPMENT TYPE	QUANTITY	UNIT WATTAGE	TOTAL WATTAGE
SIGNAL HEAD 1 OR 3-SECTION	10	11	110
4-SECTION	-	14	-
5-SECTION	2	13	26
PROGRAMMABLE 3-SECTION	-	22	-
4-SECTION	-	32	-
5-SECTION	-	28	-
PEDESTRIAN SIGNAL CONTROLLER	4	15	60
MASTER CONTROLLER	1	150	150
UPS	-	100	-
DETECTION VIDEO	1	25	25
BLANK-OUT SIGN	-	20	-
NETWORK SWITCH II OR III	-	25	-
CELLULAR MODEM	1	35	35
PTZ CAMERA	-	15	-
	1	75	75
TOTAL UPS SIZING		481	
UPS CHARGING	1	225	225
BATTERY HEATER MAT	1	180	180
CABINET HEATER	1	200	200
FLASHER	-	15	-
LED STREET NAME SIGN	-	120	-
LUMINAIRE	-	240	-
TOTAL SERVICE WIRE SIZING		1,086	

ENERGY COSTS TO:
VILLAGE OF HAZEL CREST
 3601 W 183RD ST
 HAZEL CREST, IL 60429

ENERGY SUPPLY: CONTACT: NEW BUSINESS
 PHONE: 866-639-3532
 COMPANY: COMED
 ACCOUNT NUMBER: 1763082000
 METER NUMBER: ---



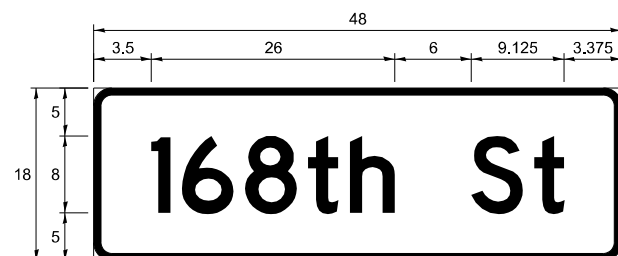
CABLE PLAN

**TS 10845
 IDOT TACTICS
 FORMER EAGLE 3N**

USER NAME = Iovan,plascencia	DESIGNED - IP	REVISED -	STATE OF ILLINOIS DEPARTMENT OF TRANSPORTATION	CABLE PLAN AND PHASE DIAGRAMS DIXIE HWY AT 168TH ST				F.A. RTE.	SECTION	COUNTY	TOTAL SHEETS	SHEET NO.			
	DRAWN - IP	REVISED -		SCALE:	SHEET	OF	SHEETS	STA.	TO	STA.	VAR	2026-2160-TS	VARIOUS	58	43
	CHECKED - NB	REVISED -		CONTRACT NO. 80C89											
PLOT DATE =	DATE - 3/20/2026	REVISED -		ILLINOIS FED. AID PROJECT											

SIGN PANEL – TYPE 1

ALL DIMENSIONS ARE IN INCHES UNLESS NOTED OTHERWISE



DESIGN SERIES	AREA (SQ FT)	SIGN PANEL TYPE	SHEETING TYPE	QTY REQUIRED
D	6	1	ZZ	2

NOTE: FOR ADDITIONAL DESIGN AND INSTALLATION INFORMATION SEE DISTRICT STANDARD TS-02 - MAST ARM MOUNTED STREET NAME SIGNS.

SCHEDULE OF QUANTITIES

ITEM DESCRIPTION	UNITS	TOTAL QTY
SIGN PANEL - TYPE 1	SQ FT	12
UNDERGROUND CONDUIT, GALVANIZED STEEL, 2" DIA.	FOOT	96
UNDERGROUND CONDUIT, GALVANIZED STEEL, 3" DIA.	FOOT	70
UNDERGROUND CONDUIT, GALVANIZED STEEL, 4" DIA.	FOOT	192
DOUBLE HANDHOLE	EACH	1
MAINTENANCE OF EXISTING TRAFFIC SIGNAL INSTALLATION	EACH	1
GROUNDING EXISTING HANDHOLE FRAME AND COVER	EACH	4
ELECTRIC CABLE IN CONDUIT, SIGNAL NO. 14 2C	FOOT	520
ELECTRIC CABLE IN CONDUIT, SIGNAL NO. 14 3C	FOOT	988
ELECTRIC CABLE IN CONDUIT, SIGNAL NO. 14 5C	FOOT	1,810
ELECTRIC CABLE IN CONDUIT, SIGNAL NO. 14 7C	FOOT	351
ELECTRIC CABLE IN CONDUIT, LEAD-IN, NO. 14 1 PAIR	FOOT	58
ELECTRIC CABLE IN CONDUIT, SERVICE, NO. 6 2 C	FOOT	185
ELECTRIC CABLE IN CONDUIT, EQUIPMENT GROUNDING CONDUCTOR, NO. 6 1C	FOOT	620
TRAFFIC SIGNAL POST, 16 FT.	EACH	4
TRAFFIC SIGNAL POST, 18 FT.	EACH	1
STEEL MAST ARM ASSEMBLY AND POLE, 34 FT.	EACH	1
STEEL COMBINATION MAST ARM ASSEMBLY AND POLE 22 FT.	EACH	1
CONCRETE FOUNDATION, TYPE A	FOOT	16
CONCRETE FOUNDATION, TYPE E 30-INCH DIAMETER	FOOT	23.5
DRILL EXISTING HANDHOLE	EACH	8
SIGNAL HEAD, LED, 1-FACE, 3-SECTION, MAST-ARM MOUNTED	EACH	3
SIGNAL HEAD, LED, 1-FACE, 3-SECTION, BRACKET MOUNTED	EACH	7
SIGNAL HEAD, LED, 1-FACE, 5-SECTION, BRACKET MOUNTED	EACH	1
SIGNAL HEAD, LED, 1-FACE, 5-SECTION, MAST-ARM MOUNTED	EACH	1
PEDESTRIAN SIGNAL HEAD, LED, 1-FACE, BRACKET MOUNTED WITH COUNTDOWN TIMER	EACH	4
TRAFFIC SIGNAL BACKPLATE, LOUVERED, FORMED PLASTIC	EACH	4
RELOCATE EXISTING TRAFFIC SIGNAL EQUIPMENT	EACH	1
REMOVE ELECTRIC CABLE FROM CONDUIT	FOOT	3,680
REMOVE AND REINSTALL ELECTRIC CABLE FROM CONDUIT	FOOT	1,014
REMOVE EXISTING TRAFFIC SIGNAL EQUIPMENT	EACH	1
REMOVE EXISTING HANDHOLE	EACH	2
REMOVE EXISTING CONCRETE FOUNDATION	EACH	5
EMERGENCY VEHICLE PRIORITY SYSTEM LINE SENSOR CABLE, NO. 20 3/C	FOOT	452
OUTDOOR RATED NETWORK CABLE	FOOT	218
SERVICE INSTALLATION, GROUND MOUNTED, METERED	EACH	1
PEDESTRIAN SIGNAL POST, 10 FT.	EACH	2
TEMPORARY INFORMATION SIGNING	SQ FT	51.4
ACCESSIBLE PEDESTRIAN SIGNALS	EACH	4
CONCRETE FOUNDATION, TYPE A 12-INCH DIAMETER	FOOT	8
LED SIGNAL FACE, LENS COVER	EACH	12
RE-OPTIMIZE TRAFFIC SIGNAL SYSTEM LEVEL 1	EACH	1

**TS 10845
IDOT TACTICS
FORMER EAGLE 3N**

USER NAME = <i>lovan,plascencia</i>	DESIGNED - IP	REVISED -	STATE OF ILLINOIS DEPARTMENT OF TRANSPORTATION	STREET NAME SIGNS AND SCHEDULE OF QUANTITIES DIXIE HWY AT 168TH ST	F.A. RTE.	SECTION	COUNTY	TOTAL SHEETS	SHEET NO.	
	DRAWN - IP	REVISED -			VAR	2026-2160-TS	VARIOUS	58	44	
	CHECKED - NB	REVISED -			CONTRACT NO. 80C89					
PLOT DATE =	DATE - 3/20/2026	REVISED -			SCALE:	SHEET	OF	SHEETS	STA.	TO STA.

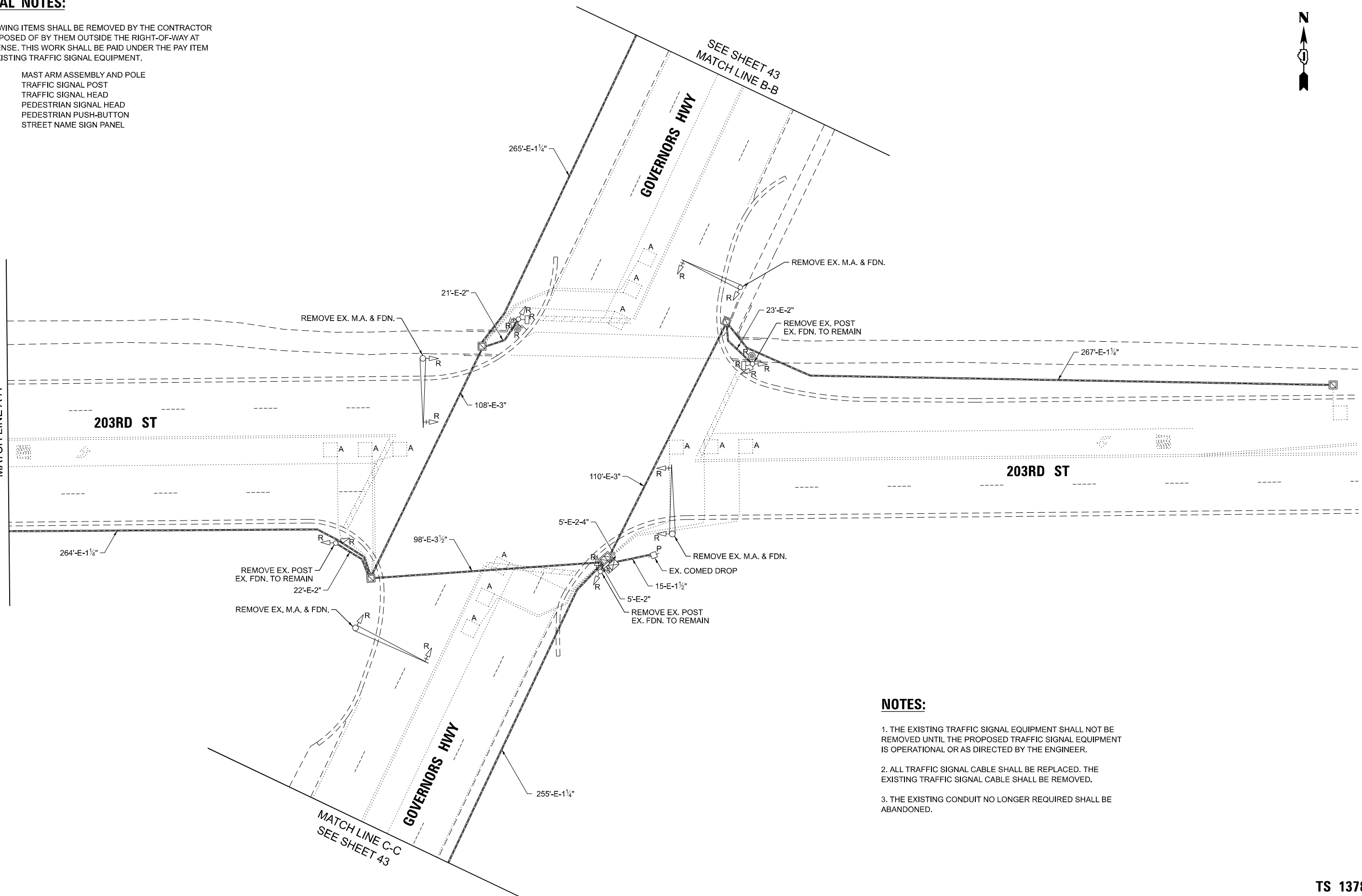
REMOVAL NOTES:

THE FOLLOWING ITEMS SHALL BE REMOVED BY THE CONTRACTOR AND BE DISPOSED OF BY THEM OUTSIDE THE RIGHT-OF-WAY AT THEIR EXPENSE. THIS WORK SHALL BE PAID UNDER THE PAY ITEM REMOVE EXISTING TRAFFIC SIGNAL EQUIPMENT.

- 4 EACH MAST ARM ASSEMBLY AND POLE
- 3 EACH TRAFFIC SIGNAL POST
- 16 EACH TRAFFIC SIGNAL HEAD
- 2 EACH PEDESTRIAN SIGNAL HEAD
- 2 EACH PEDESTRIAN PUSH-BUTTON
- 4 EACH STREET NAME SIGN PANEL



SEE SHEET 43
MATCH LINE A-A

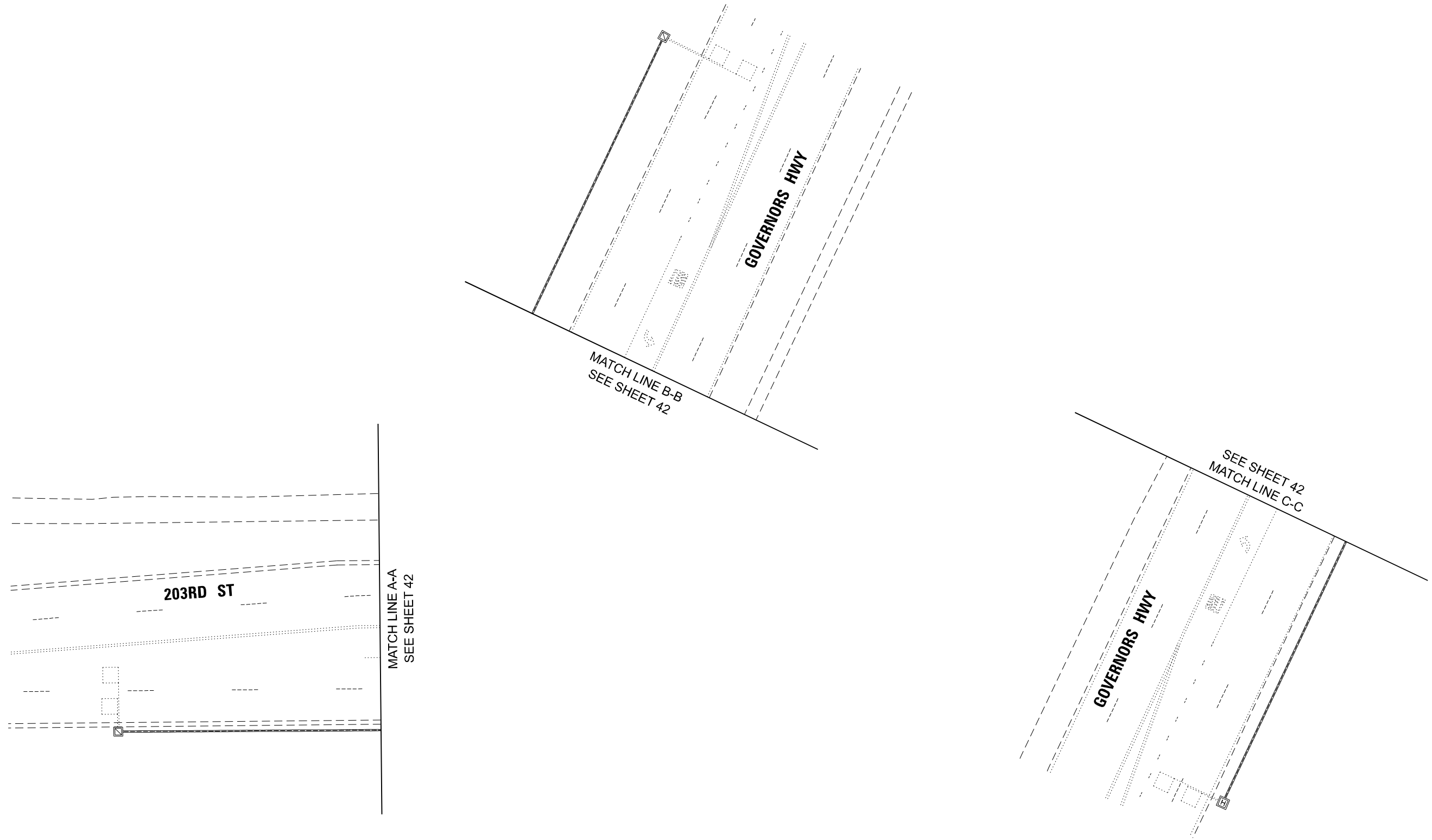


NOTES:

1. THE EXISTING TRAFFIC SIGNAL EQUIPMENT SHALL NOT BE REMOVED UNTIL THE PROPOSED TRAFFIC SIGNAL EQUIPMENT IS OPERATIONAL OR AS DIRECTED BY THE ENGINEER.
2. ALL TRAFFIC SIGNAL CABLE SHALL BE REPLACED. THE EXISTING TRAFFIC SIGNAL CABLE SHALL BE REMOVED.
3. THE EXISTING CONDUIT NO LONGER REQUIRED SHALL BE ABANDONED.

TS 1378

USER NAME = kovan,plascencia	DESIGNED - IP	REVISED -	STATE OF ILLINOIS DEPARTMENT OF TRANSPORTATION	TRAFFIC SIGNAL REMOVAL PLAN (SHEET 1 OF 2) GOVERNORS HWY AT 203RD ST				F.A. RTE.	SECTION	COUNTY	TOTAL SHEETS	SHEET NO.
	DRAWN - IP	REVISED -						VAR	2026-2160-TS	VARIOUS	58	45
	CHECKED - NB	REVISED -		CONTRACT NO. 80C89								
PLOT DATE =	DATE - 3/20/2026	REVISED -		SCALE:	SHEET	OF	SHEETS	STA.	TO	STA.	ILLINOIS	FED. AID PROJECT



TS 1378

USER NAME =	lovan,plascencia	DESIGNED -	IP	REVISED -	
		DRAWN -	IP	REVISED -	
		CHECKED -	NB	REVISED -	
PLOT DATE =		DATE -	3/20/2026	REVISED -	

**STATE OF ILLINOIS
DEPARTMENT OF TRANSPORTATION**

**TRAFFIC SIGNAL REMOVAL PLAN (SHEET 2 OF 2)
GOVERNORS HWY AT 203RD ST**

SCALE: SHEET OF SHEETS STA. TO STA.

F.A. RTE.	SECTION	COUNTY	TOTAL SHEETS	SHEET NO.
VAR	2026-2160-TS	VARIOUS	58	46
ILLINOIS FED. AID PROJECT			CONTRACT NO. 80C89	

NOTES:

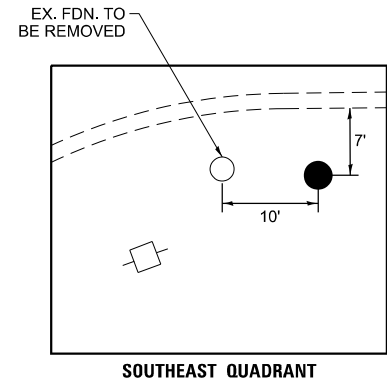
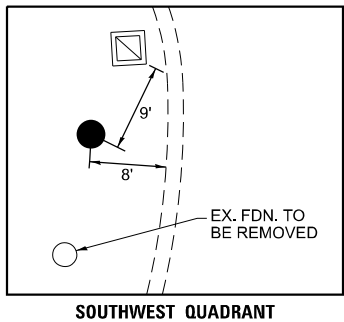
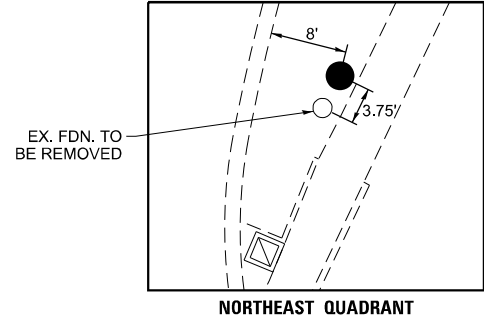
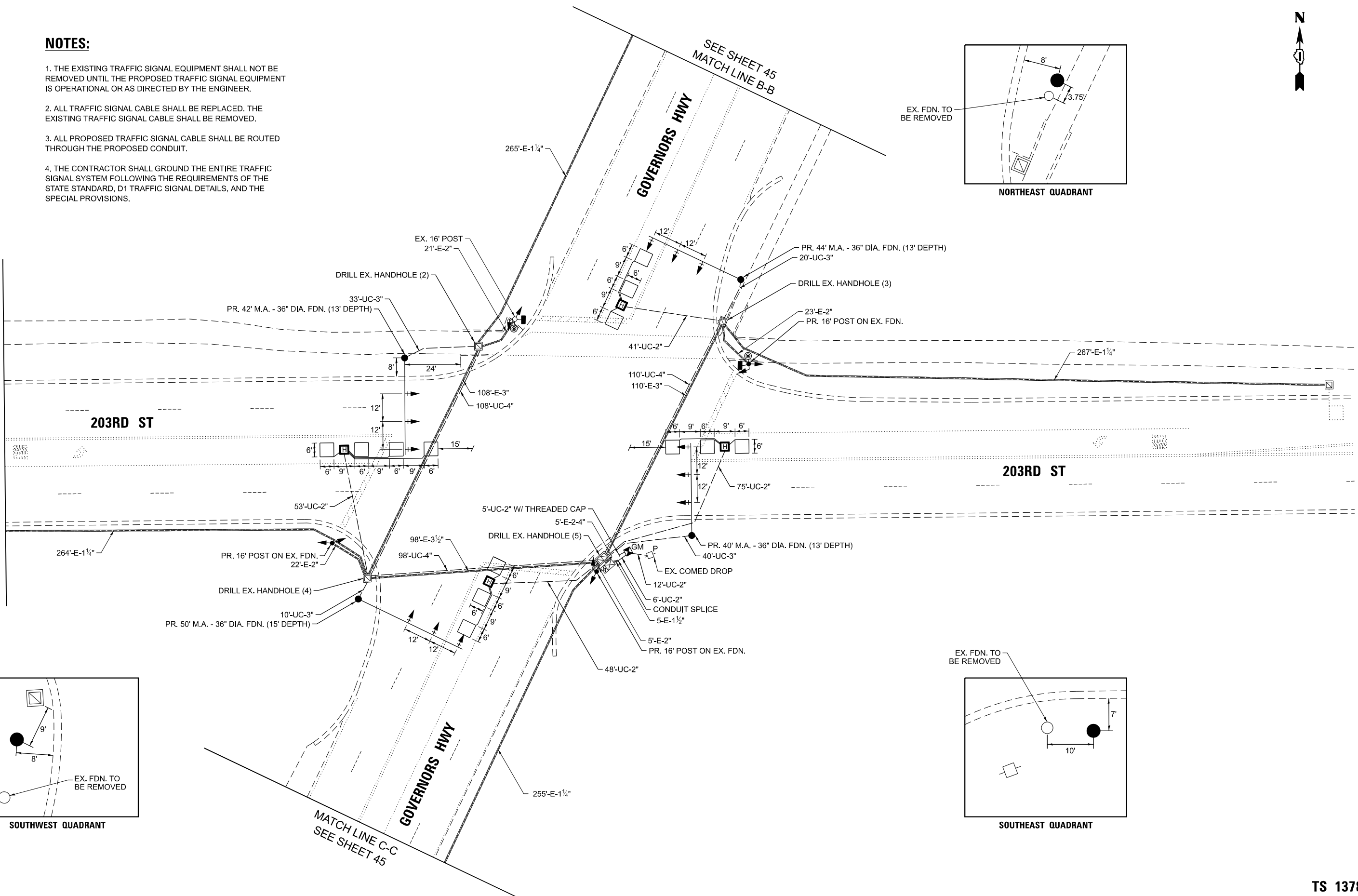
1. THE EXISTING TRAFFIC SIGNAL EQUIPMENT SHALL NOT BE REMOVED UNTIL THE PROPOSED TRAFFIC SIGNAL EQUIPMENT IS OPERATIONAL OR AS DIRECTED BY THE ENGINEER.
2. ALL TRAFFIC SIGNAL CABLE SHALL BE REPLACED. THE EXISTING TRAFFIC SIGNAL CABLE SHALL BE REMOVED.
3. ALL PROPOSED TRAFFIC SIGNAL CABLE SHALL BE ROUTED THROUGH THE PROPOSED CONDUIT.
4. THE CONTRACTOR SHALL GROUND THE ENTIRE TRAFFIC SIGNAL SYSTEM FOLLOWING THE REQUIREMENTS OF THE STATE STANDARD, D1 TRAFFIC SIGNAL DETAILS, AND THE SPECIAL PROVISIONS.



SEE SHEET 45
MATCH LINE A-A

SEE SHEET 45
MATCH LINE B-B

MATCH LINE C-C
SEE SHEET 45



TS 1378

USER NAME = kovan,plascencia	DESIGNED - IP	REVISED -
	DRAWN - IP	REVISED -
	CHECKED - NB	REVISED -
PLOT DATE =	DATE - 3/20/2026	REVISED -

STATE OF ILLINOIS
DEPARTMENT OF TRANSPORTATION

TRAFFIC SIGNAL MODERNIZATION PLAN (SHEET 1 OF 2)
GOVERNORS HWY AT 203RD ST

SCALE: SHEET OF SHEETS STA. TO STA.

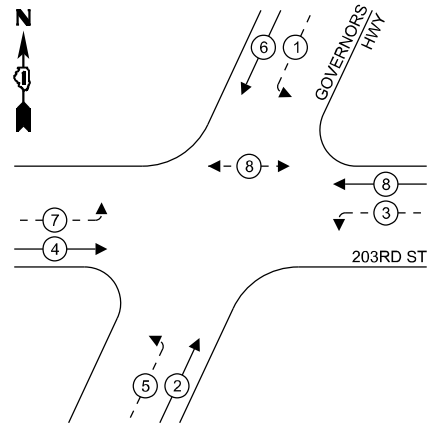
F.A. RTE.	SECTION	COUNTY	TOTAL SHEETS	SHEET NO.
VAR	2026-2160-TS	VARIOUS	58	47
ILLINOIS FED. AID PROJECT			CONTRACT NO. 80C89	



TS 1378

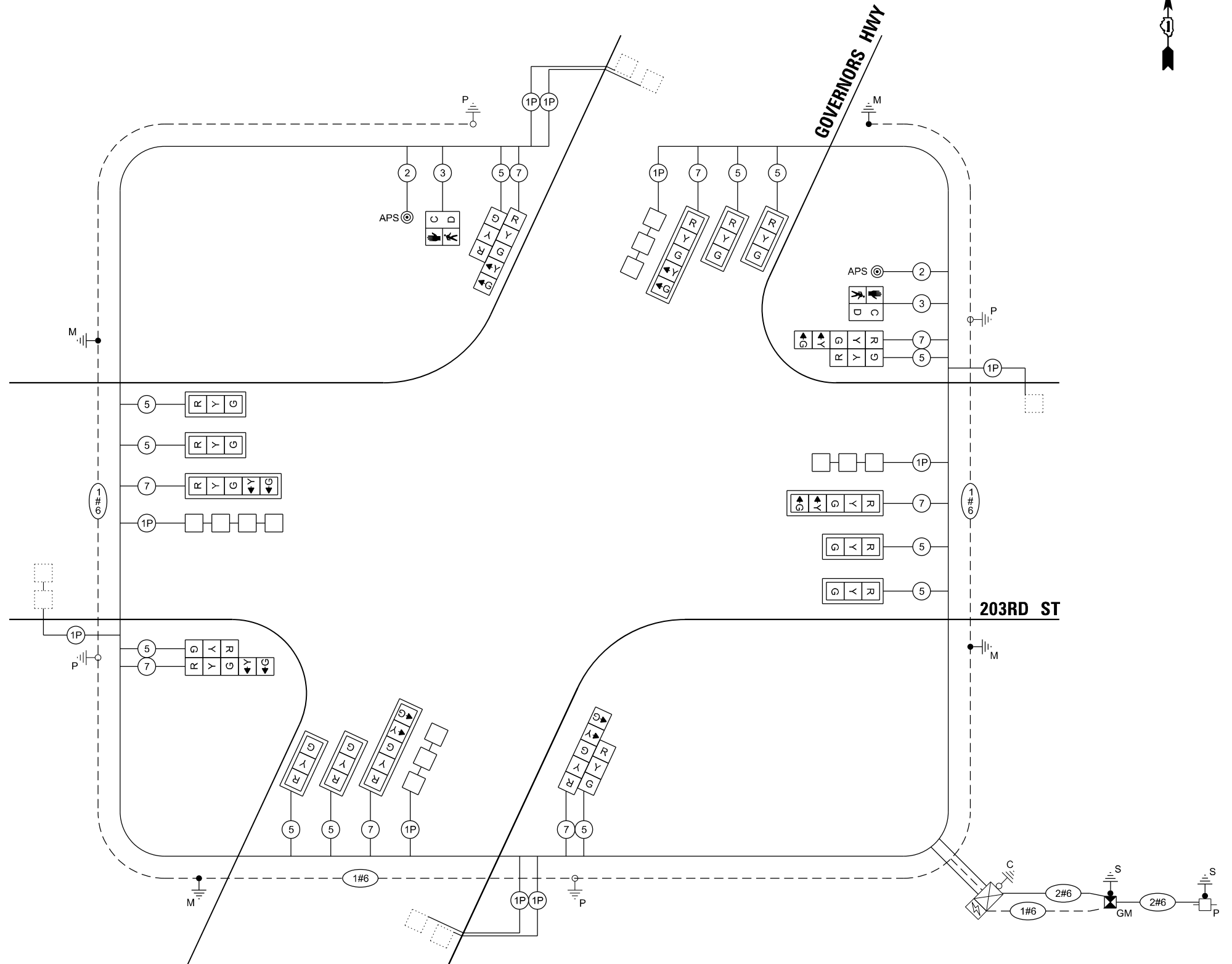
USER NAME = <i>lovan,plascencia</i> PLOT DATE =	DESIGNED - IP DRAWN - IP	REVISED - REVISED -	STATE OF ILLINOIS DEPARTMENT OF TRANSPORTATION	TRAFFIC SIGNAL MODERNIZATION PLAN (SHEET 2 OF 2) GOVERNORS HWY AT 203RD ST	F.A. RTE. VAR	SECTION 2026-2160-TS	COUNTY VARIOUS	TOTAL SHEETS 58	SHEET NO. 48
	CHECKED - NB DATE - 3/20/2026	REVISED - REVISED -			ILLINOIS FED. AID PROJECT				
SCALE:				SHEET OF SHEETS STA. TO STA.					

**EXISTING CONTROLLER
PHASE DIAGRAM**



NOTES:

1. ALL RED SIGNAL INDICATIONS SHALL HAVE A LENS COVER.



CABLE PLAN

**TRAFFIC SIGNAL
ELECTRIC SERVICE REQUIREMENTS**

EQUIPMENT TYPE	QUANTITY	UNIT WATTAGE	TOTAL WATTAGE
SIGNAL HEAD 1 OR 3-SECTION	12	11	132
4-SECTION	-	14	-
5-SECTION	8	13	104
PROGRAMMABLE 3-SECTION	-	22	-
4-SECTION	-	32	-
5-SECTION	-	28	-
PEDESTRIAN SIGNAL CONTROLLER	2	15	30
MASTER CONTROLLER	1	150	150
UPS	-	100	-
DETECTION VIDEO	1	25	25
BLANK-OUT SIGN	-	20	-
NETWORK SWITCH II OR III	-	25	-
CELLULAR MODEM	-	35	-
PTZ CAMERA	-	15	-
	-	75	-
TOTAL UPS SIZING		441	
UPS CHARGING	1	225	225
BATTERY HEATER MAT	1	180	180
CABINET HEATER	1	200	200
FLASHER	-	15	-
LED STREET NAME SIGN	-	120	-
LUMINAIRE	-	240	-
TOTAL SERVICE WIRE SIZING		1,046	

ENERGY COSTS TO:
VILLAGE OF OLYMPIA FIELDS
 20040 GOVERNORS HWY
 OLYMPIA FIELDS, 60461

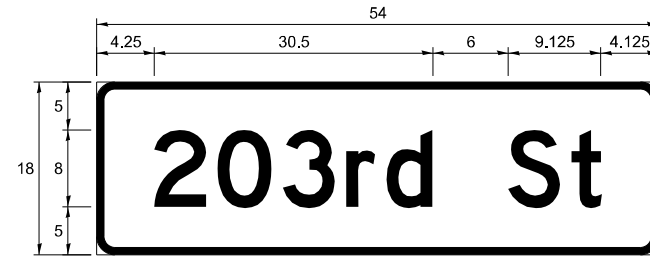
ENERGY SUPPLY: CONTACT: NEW BUSINESS
 PHONE: 866-639-3532
 COMPANY: COMED
 ACCOUNT NUMBER: 5564978477
 METER NUMBER: ---

TS 1378

USER NAME = Iovan,plascencia	DESIGNED - IP	REVISED -	STATE OF ILLINOIS DEPARTMENT OF TRANSPORTATION	CABLE PLAN AND PHASE DIAGRAM GOVERNORS HWY AT 203RD ST	F.A. RTE.	SECTION	COUNTY	TOTAL SHEETS	SHEET NO.	
	DRAWN - IP	REVISED -			VAR	2026-2160-TS	VARIOUS	58	49	
	CHECKED - NB	REVISED -			CONTRACT NO. 80C89					
	DATE - 3/20/2026	REVISED -			ILLINOIS FED. AID PROJECT					
PLOT DATE =			SCALE:	SHEET OF SHEETS	STA.	TO STA.				

SIGN PANEL – TYPE 1 OR TYPE 2

ALL DIMENSIONS ARE IN INCHES UNLESS NOTED OTHERWISE



DESIGN SERIES	AREA (SQ FT)	SIGN PANEL TYPE	SHEETING TYPE	QTY REQUIRED
D	6.75	1	ZZ	2



DESIGN SERIES	AREA (SQ FT)	SIGN PANEL TYPE	SHEETING TYPE	QTY REQUIRED
D	10.5	2	ZZ	2

NOTE: FOR ADDITIONAL DESIGN AND INSTALLATION INFORMATION SEE DISTRICT STANDARD TS-02 - MAST ARM MOUNTED STREET NAME SIGNS.

SCHEDULE OF QUANTITIES

ITEM DESCRIPTION	UNITS	TOTAL QTY
SIGN PANEL - TYPE 1	SQ FT	13.5
SIGN PANEL - TYPE 2	SQ FT	21
UNDERGROUND CONDUIT, GALVANIZED STEEL, 2" DIA.	FOOT	240
UNDERGROUND CONDUIT, GALVANIZED STEEL, 3" DIA.	FOOT	103
UNDERGROUND CONDUIT, GALVANIZED STEEL, 4" DIA.	FOOT	316
HEAVY-DUTY HANDHOLE	EACH	4
MAINTENANCE OF EXISTING TRAFFIC SIGNAL INSTALLATION	EACH	1
GROUNDING EXISTING HANDHOLE FRAME AND COVER	EACH	4
ELECTRIC CABLE IN CONDUIT, SIGNAL NO. 14 2C	FOOT	448
ELECTRIC CABLE IN CONDUIT, SIGNAL NO. 14 3C	FOOT	456
ELECTRIC CABLE IN CONDUIT, SIGNAL NO. 14 5C	FOOT	2,340
ELECTRIC CABLE IN CONDUIT, SIGNAL NO. 14 7C	FOOT	1,580
ELECTRIC CABLE IN CONDUIT, LEAD-IN, NO. 14 1 PAIR	FOOT	2,966
ELECTRIC CABLE IN CONDUIT, SERVICE, NO. 6 2 C	FOOT	80
ELECTRIC CABLE IN CONDUIT, EQUIPMENT GROUNDING CONDUCTOR, NO. 6 1C	FOOT	1,010
TRAFFIC SIGNAL POST, 16 FT.	EACH	3
STEEL MAST ARM ASSEMBLY AND POLE, 40 FT.	EACH	1
STEEL MAST ARM ASSEMBLY AND POLE, 42 FT.	EACH	1
STEEL MAST ARM ASSEMBLY AND POLE, 44 FT.	EACH	1
STEEL MAST ARM ASSEMBLY AND POLE, 50 FT.	EACH	1
CONCRETE FOUNDATION, TYPE A	FOOT	4
CONCRETE FOUNDATION, TYPE E 36-INCH DIAMETER	FOOT	54
DRILL EXISTING HANDHOLE	EACH	14
SIGNAL HEAD, LED, 1-FACE, 3-SECTION, MAST-ARM MOUNTED	EACH	8
SIGNAL HEAD, LED, 1-FACE, 3-SECTION, BRACKET MOUNTED	EACH	4
SIGNAL HEAD, LED, 1-FACE, 5-SECTION, BRACKET MOUNTED	EACH	4
SIGNAL HEAD, LED, 1-FACE, 5-SECTION, MAST-ARM MOUNTED	EACH	4
PEDESTRIAN SIGNAL HEAD, LED, 1-FACE, BRACKET MOUNTED WITH COUNTDOWN TIMER	EACH	2
TRAFFIC SIGNAL BACKPLATE, LOUVERED, FORMED PLASTIC	EACH	12
INDUCTIVE LOOP DETECTOR	EACH	2
DETECTOR LOOP, TYPE I	FOOT	447
REMOVE ELECTRIC CABLE FROM CONDUIT	FOOT	5,400
REMOVE EXISTING TRAFFIC SIGNAL EQUIPMENT	EACH	1
REBUILD EXISTING HANDHOLE	EACH	1
REMOVE EXISTING CONCRETE FOUNDATION	EACH	4
SERVICE INSTALLATION, GROUND MOUNTED, METERED	EACH	1
TEMPORARY INFORMATION SIGNING	SQ FT	51.4
ACCESSIBLE PEDESTRIAN SIGNALS	EACH	2
LED SIGNAL FACE, LENS COVER	EACH	20
RE-OPTIMIZE TRAFFIC SIGNAL SYSTEM LEVEL 1	EACH	1

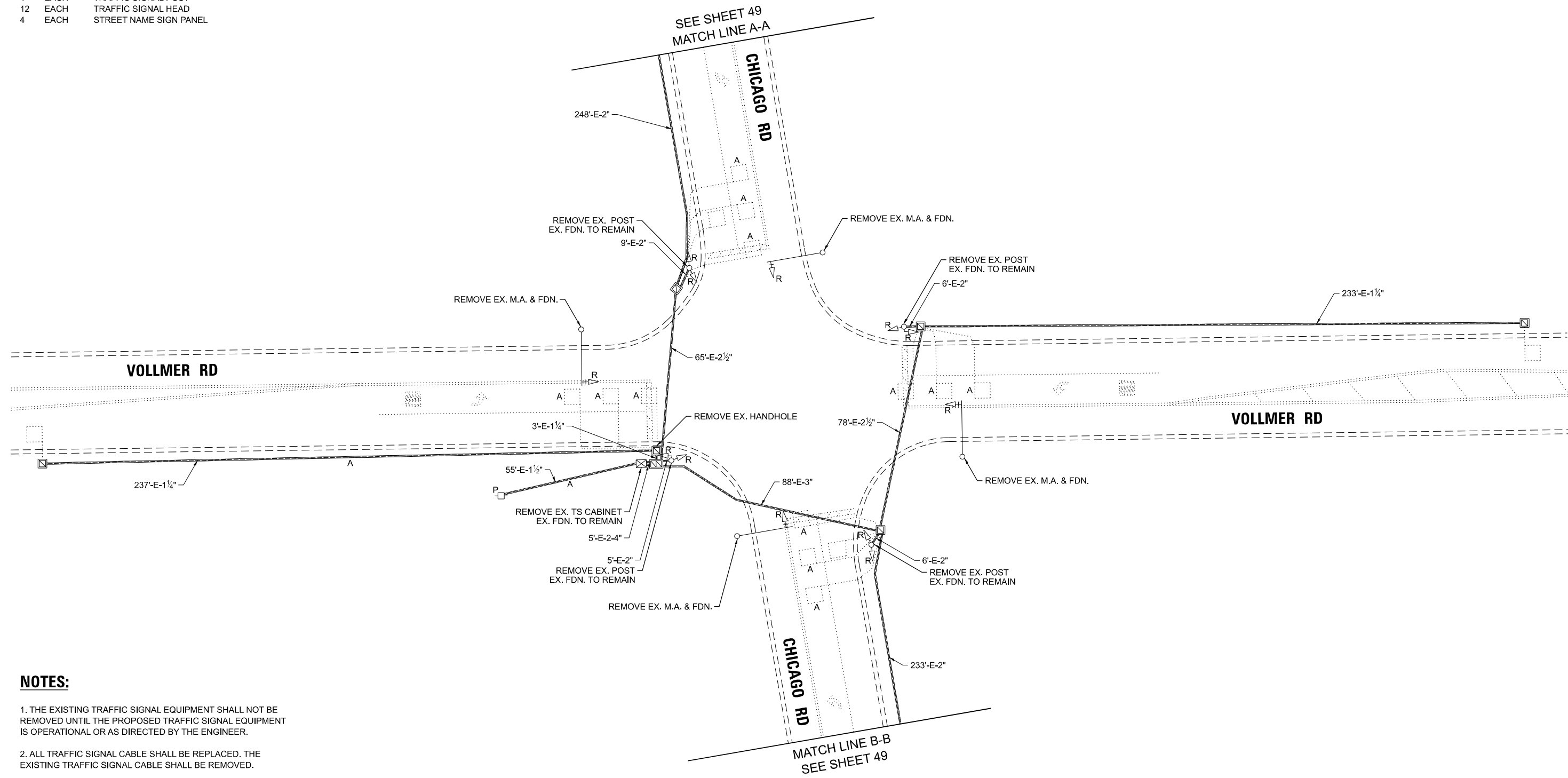
TS 1378

USER NAME = Iovan,plascencia	DESIGNED - IP	REVISED -	STATE OF ILLINOIS DEPARTMENT OF TRANSPORTATION	STREET NAME SIGNS AND SCHEDULE OF QUANTITIES GOVERNORS HWY AT 203RD ST	F.A. RTE.	SECTION	COUNTY	TOTAL SHEETS	SHEET NO.	
	DRAWN - IP	REVISED -			VAR	2026-2160-TS	VARIOUS	58	50	
	CHECKED - NB	REVISED -			CONTRACT NO. 80C89					
PLOT DATE =	DATE - 3/20/2026	REVISED -			SCALE:	SHEET	OF	SHEETS	STA.	TO
					ILLINOIS FED. AID PROJECT					

REMOVAL NOTES:

THE FOLLOWING ITEMS SHALL BE REMOVED BY THE CONTRACTOR AND BE DISPOSED OF BY THEM OUTSIDE THE RIGHT-OF-WAY AT THEIR EXPENSE. THIS WORK SHALL BE PAID UNDER THE PAY ITEM REMOVE EXISTING TRAFFIC SIGNAL EQUIPMENT.

- 1 EACH TRAFFIC SIGNAL CABINET (COMPLETE)
- 4 EACH MAST ARM ASSEMBLY AND POLE
- 4 EACH TRAFFIC SIGNAL POST
- 12 EACH TRAFFIC SIGNAL HEAD
- 4 EACH STREET NAME SIGN PANEL

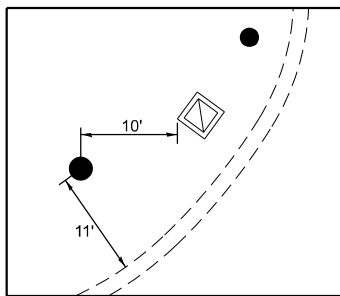


NOTES:

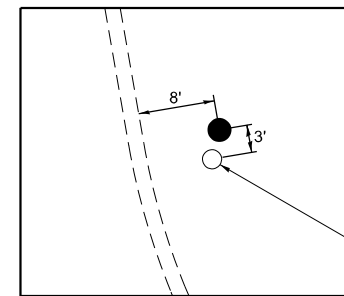
1. THE EXISTING TRAFFIC SIGNAL EQUIPMENT SHALL NOT BE REMOVED UNTIL THE PROPOSED TRAFFIC SIGNAL EQUIPMENT IS OPERATIONAL OR AS DIRECTED BY THE ENGINEER.
2. ALL TRAFFIC SIGNAL CABLE SHALL BE REPLACED. THE EXISTING TRAFFIC SIGNAL CABLE SHALL BE REMOVED.
3. THE EXISTING CONDUIT NO LONGER REQUIRED SHALL BE ABANDONED.

TS 4380

USER NAME = Iovan,plascencia		DESIGNED - IP	REVISED -	STATE OF ILLINOIS DEPARTMENT OF TRANSPORTATION	TRAFFIC SIGNAL REMOVAL PLAN (SHEET 1 OF 2) CHICAGO RD AT VOLLMER RD				F.A. RTE.	SECTION	COUNTY	TOTAL SHEETS	SHEET NO.
		DRAWN - IP	REVISED -						VAR	2026-2160-TS	VARIOUS	58	51
PLOT DATE =		CHECKED - NB	REVISED -		CONTRACT NO. 80C89				ILLINOIS FED. AID PROJECT				
DATE - 3/20/2026		REVISED -			SCALE:	SHEET	OF	SHEETS	STA.	TO	STA.		

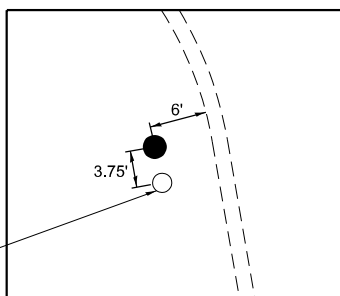


NORTHWEST QUADRANT

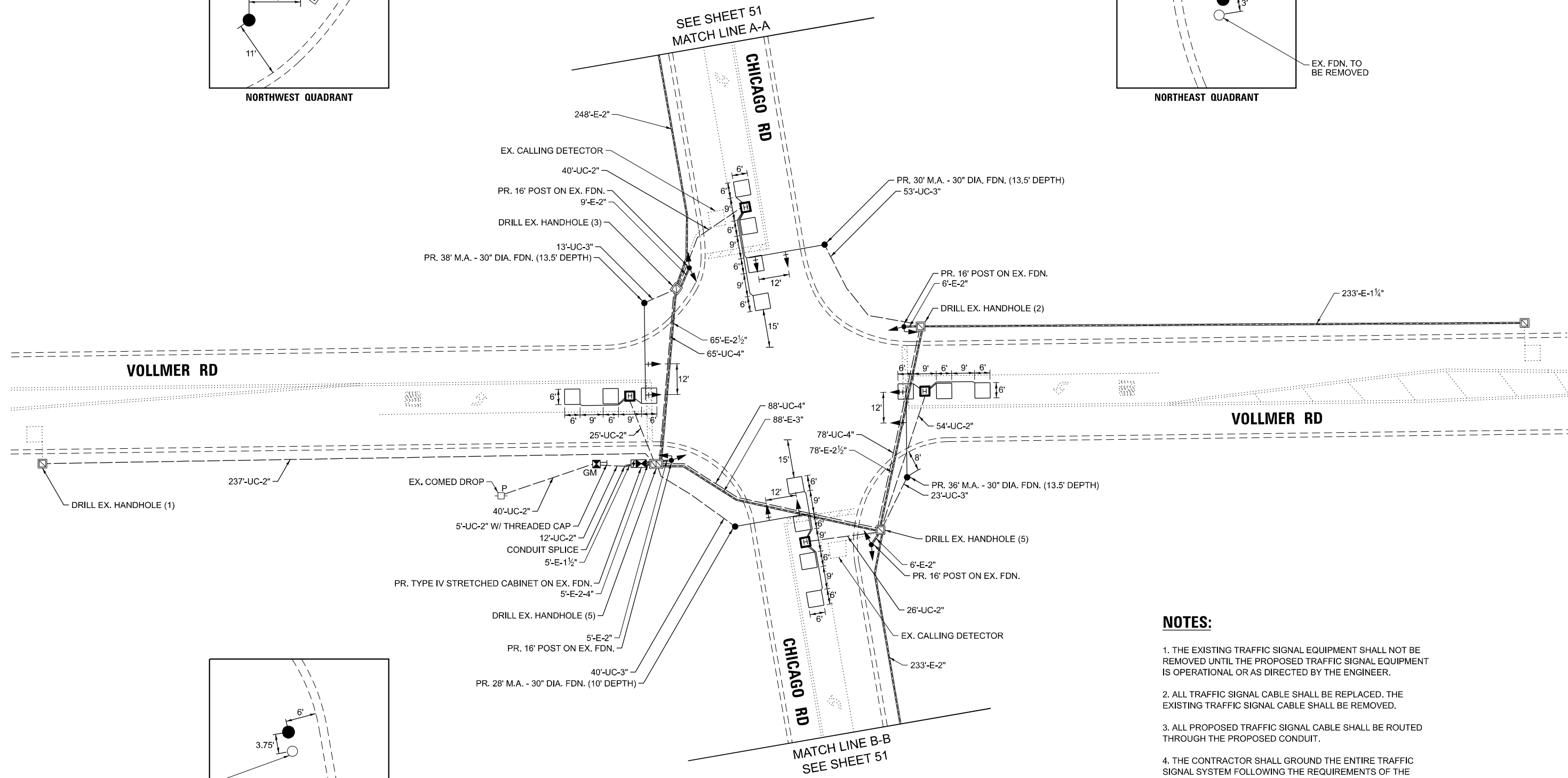


NORTHEAST QUADRANT

EX. FDN. TO BE REMOVED



SOUTHWEST QUADRANT



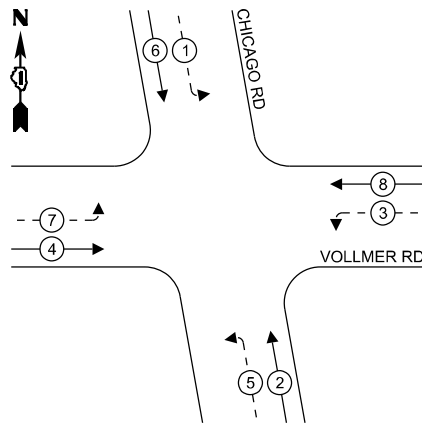
NOTES:

1. THE EXISTING TRAFFIC SIGNAL EQUIPMENT SHALL NOT BE REMOVED UNTIL THE PROPOSED TRAFFIC SIGNAL EQUIPMENT IS OPERATIONAL OR AS DIRECTED BY THE ENGINEER.
2. ALL TRAFFIC SIGNAL CABLE SHALL BE REPLACED. THE EXISTING TRAFFIC SIGNAL CABLE SHALL BE REMOVED.
3. ALL PROPOSED TRAFFIC SIGNAL CABLE SHALL BE ROUTED THROUGH THE PROPOSED CONDUIT.
4. THE CONTRACTOR SHALL GROUND THE ENTIRE TRAFFIC SIGNAL SYSTEM FOLLOWING THE REQUIREMENTS OF THE STATE STANDARD, D1 TRAFFIC SIGNAL DETAILS, AND THE SPECIAL PROVISIONS.

TS 4380

USER NAME = <i>lovan,plascencia</i> DRAWN = IP CHECKED = NB PLOT DATE =	DESIGNED = IP DATE = 3/20/2026	REVISED = REVISED = REVISED = REVISED =	STATE OF ILLINOIS DEPARTMENT OF TRANSPORTATION	TRAFFIC SIGNAL MODERNIZATION PLAN (SHEET 1 OF 2) CHICAGO RD AT VOLLMER RD	F.A. RTE. = VAR =	SECTION = 2026-2160-TS	COUNTY = VARIOUS	TOTAL SHEETS = 58 SHEET NO. = 53	CONTRACT NO. 80C89
	SCALE:	SHEET OF SHEETS			STA. TO STA.	ILLINOIS FED. AID PROJECT			

**EXISTING AND PROPOSED
CONTROLLER PHASE DIAGRAM**



LEGEND:

- ← (⊙) ← PROTECTED PHASE
- ← - (⊙) - PROTECTED/PERMISSIVE PHASE
- ← (⊙) → PEDESTRIAN PHASE

NOTES:

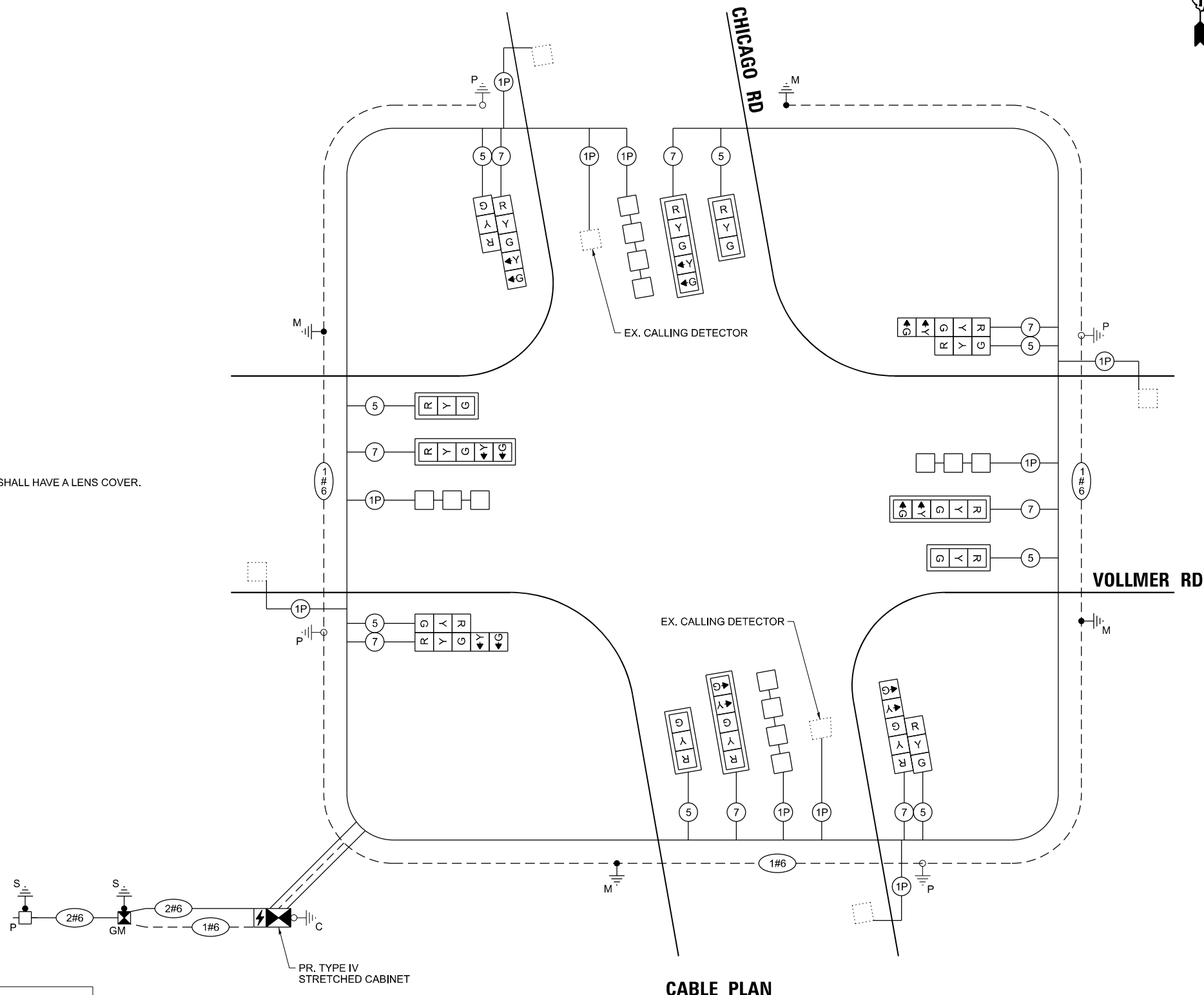
1. ALL RED SIGNAL INDICATIONS SHALL HAVE A LENS COVER.

**TRAFFIC SIGNAL
ELECTRIC SERVICE REQUIREMENTS**

EQUIPMENT TYPE	QUANTITY	UNIT WATTAGE	TOTAL WATTAGE
SIGNAL HEAD 1 OR 3-SECTION	8	11	88
4-SECTION	-	14	-
5-SECTION	8	13	104
PROGRAMMABLE 3-SECTION	-	22	-
4-SECTION	-	32	-
5-SECTION	-	28	-
PEDESTRIAN SIGNAL CONTROLLER	1	150	150
MASTER CONTROLLER	-	100	-
UPS	1	25	25
DETECTION VIDEO	-	20	-
BLANK-OUT SIGN	-	25	-
NETWORK SWITCH II OR III	-	35	-
CELLULAR MODEM	-	15	-
PTZ CAMERA	-	75	-
TOTAL UPS SIZING		367	
UPS CHARGING	1	225	225
BATTERY HEATER MAT	1	180	180
CABINET HEATER	1	200	200
FLASHER	-	15	-
LED STREET NAME SIGN	-	120	-
LUMINAIRE	-	240	-
TOTAL SERVICE WIRE SIZING		972	

ENERGY COSTS TO:
CITY OF CHICAGO HEIGHTS
 1601 CHICAGO RD
 CHICAGO HEIGHTS, 60411

ENERGY SUPPLY: CONTACT: NEW BUSINESS
 PHONE: 866-639-3532
 COMPANY: COMED
 ACCOUNT NUMBER: 2465472000
 METER NUMBER: ---



CABLE PLAN

USER NAME = Iovan,plascencia	DESIGNED - IP	REVISED -
	DRAWN - IP	REVISED -
	CHECKED - NB	REVISED -
PLOT DATE =	DATE - 3/20/2026	REVISED -

**STATE OF ILLINOIS
DEPARTMENT OF TRANSPORTATION**

**CABLE PLAN AND PHASE DIAGRAM
CHICAGO RD AT VOLLMER RD**

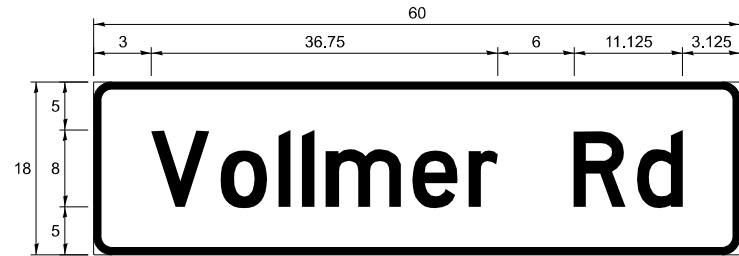
SCALE: SHEET OF SHEETS STA. TO STA.

F.A. RTE.	SECTION	COUNTY	TOTAL SHEETS	SHEET NO.
VAR	2026-2160-TS	VARIOUS	58	55
CONTRACT NO. 80C89				
ILLINOIS FED. AID PROJECT				

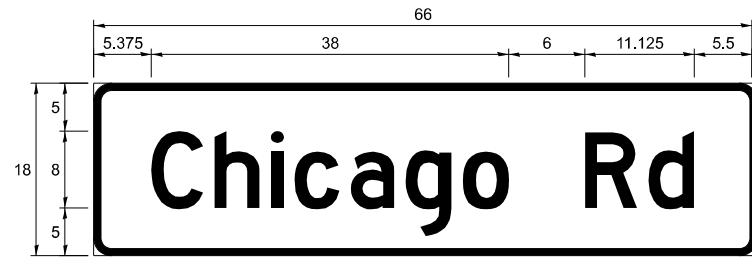
TS 4380

SIGN PANEL – TYPE 1

ALL DIMENSIONS ARE IN INCHES UNLESS NOTED OTHERWISE



DESIGN SERIES	AREA (SQ FT)	SIGN PANEL TYPE	SHEETING TYPE	QTY REQUIRED
D	7.5	1	ZZ	2



DESIGN SERIES	AREA (SQ FT)	SIGN PANEL TYPE	SHEETING TYPE	QTY REQUIRED
D	8.25	1	ZZ	2

NOTE: FOR ADDITIONAL DESIGN AND INSTALLATION INFORMATION SEE DISTRICT STANDARD TS-02 - MAST ARM MOUNTED STREET NAME SIGNS.

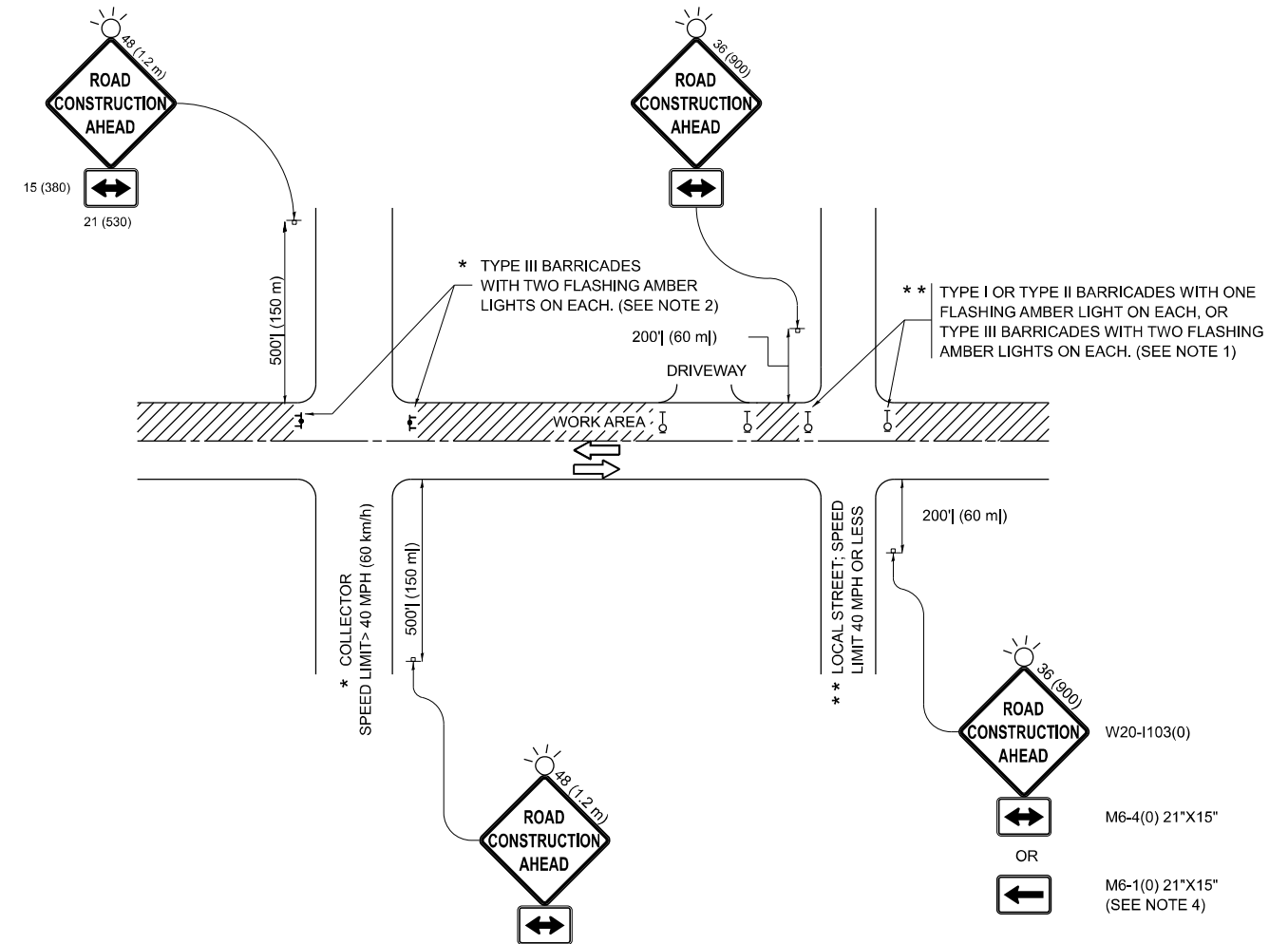
SCHEDULE OF QUANTITIES

ITEM DESCRIPTION	UNITS	TOTAL QTY
SIGN PANEL - TYPE 1	SQ FT	31.5
UNDERGROUND CONDUIT, GALVANIZED STEEL, 2" DIA.	FOOT	202
UNDERGROUND CONDUIT, GALVANIZED STEEL, 3" DIA.	FOOT	129
UNDERGROUND CONDUIT, GALVANIZED STEEL, 4" DIA.	FOOT	231
HEAVY-DUTY HANDHOLE	EACH	4
MAINTENANCE OF EXISTING TRAFFIC SIGNAL INSTALLATION	EACH	1
GROUNDING EXISTING HANDHOLE FRAME AND COVER	EACH	4
ELECTRIC CABLE IN CONDUIT, SIGNAL NO. 14 5C	FOOT	1,279
ELECTRIC CABLE IN CONDUIT, SIGNAL NO. 14 7C	FOOT	1,327
ELECTRIC CABLE IN CONDUIT, LEAD-IN, NO. 14 1 PAIR	FOOT	2,152
ELECTRIC CABLE IN CONDUIT, SERVICE, NO. 6 2 C	FOOT	110
ELECTRIC CABLE IN CONDUIT, EQUIPMENT GROUNDING CONDUCTOR, NO. 6 1C	FOOT	830
TRAFFIC SIGNAL POST, 16 FT.	EACH	4
STEEL MAST ARM ASSEMBLY AND POLE, 28 FT.	EACH	1
STEEL MAST ARM ASSEMBLY AND POLE, 30 FT.	EACH	1
STEEL MAST ARM ASSEMBLY AND POLE, 36 FT.	EACH	1
STEEL MAST ARM ASSEMBLY AND POLE, 38 FT.	EACH	1
CONCRETE FOUNDATION, TYPE A	FOOT	4
CONCRETE FOUNDATION, TYPE E 30-INCH DIAMETER	FOOT	50.5
DRILL EXISTING HANDHOLE	EACH	16
SIGNAL HEAD, LED, 1-FACE, 3-SECTION, MAST-ARM MOUNTED	EACH	4
SIGNAL HEAD, LED, 1-FACE, 3-SECTION, BRACKET MOUNTED	EACH	4
SIGNAL HEAD, LED, 1-FACE, 5-SECTION, BRACKET MOUNTED	EACH	4
SIGNAL HEAD, LED, 1-FACE, 5-SECTION, MAST-ARM MOUNTED	EACH	4
TRAFFIC SIGNAL BACKPLATE, LOUVERED, FORMED PLASTIC	EACH	8
INDUCTIVE LOOP DETECTOR	EACH	10
DETECTOR LOOP, TYPE I	FOOT	490
REMOVE ELECTRIC CABLE FROM CONDUIT	FOOT	3,715
REMOVE EXISTING TRAFFIC SIGNAL EQUIPMENT	EACH	1
REMOVE EXISTING HANDHOLE	EACH	1
REMOVE EXISTING CONCRETE FOUNDATION	EACH	4
SERVICE INSTALLATION, GROUND MOUNTED, METERED	EACH	1
TEMPORARY INFORMATION SIGNING	SQ FT	51.4
FULL-ACTUATED CONTROLLER AND TYPE IV STRETCHED CABINET	EACH	1
UNINTERRUPTABLE POWER SUPPLY AND CABINET (SPECIAL)	EACH	1
LED SIGNAL FACE, LENS COVER	EACH	16
RE-OPTIMIZE TRAFFIC SIGNAL SYSTEM LEVEL 1	EACH	1
* REMOVE AND REPLACE ANCHOR BOLTS	EACH	16

* NOMINAL QUANTITY TO BE USED AS NEEDED AND AS APPROVED BY THE ENGINEER

TS 4380

USER NAME = Iovan,plascencia	DESIGNED - IP	REVISED -	STATE OF ILLINOIS DEPARTMENT OF TRANSPORTATION	STREET NAME SIGNS AND SCHEDULE OF QUANTITIES CHICAGO RD AT VOLLMER RD	F.A. RTE.	SECTION	COUNTY	TOTAL SHEETS	SHEET NO.	
	DRAWN - IP	REVISED -			VAR	2026-2160-TS	VARIOUS	58	56	
	CHECKED - NB	REVISED -			CONTRACT NO. 80C89					
PLOT DATE =	DATE - 3/20/2026	REVISED -			SCALE:	SHEET	OF	SHEETS	STA.	TO
					ILLINOIS FED. AID PROJECT					



NOTES:

1. SIDE ROAD WITH A SPEED LIMIT OF 40 MPH (60 km/h) OR LESS AS SHOWN ON THE DRAWING AND AS DIRECTED BY THE ENGINEER:
 - a) ONE "ROAD CONSTRUCTION AHEAD" SIGN 36 x 36 (900x900) WITH A FLASHER MOUNTED ON IT APPROXIMATELY 200' (60 m) IN ADVANCE OF THE MAIN ROUTE.
 - b) THE CLOSED PORTION OF THE MAIN ROUTE SHALL BE PROTECTED BY BLOCKING WITH TYPE I, TYPE II OR TYPE III BARRICADES, 1/3 OF THE CROSS SECTION OF THE CLOSED PORTION.
2. SIDE ROAD WITH A SPEED LIMIT GREATER THAN 40 MPH (60 km/h) AS SHOWN ON THE DRAWING AND AS DIRECTED BY THE ENGINEER:
 - a) ONE "ROAD CONSTRUCTION AHEAD" SIGN 48 x 48 (1.2 m x 1.2 m) WITH A FLASHER MOUNTED ON IT APPROXIMATELY 500' (150 m) IN ADVANCE OF THE MAIN ROUTE.
 - b) THE CLOSED PORTION OF THE MAIN ROUTE SHALL BE PROTECTED BY BLOCKING WITH TYPE III BARRICADES, 1/2 OF THE CROSS SECTION OF THE CLOSED PORTION.
3. CONES MAY BE SUBSTITUTED FOR BARRICADES OR DRUMS AT HALF THE SPACING DURING DAY OPERATIONS. CONES SHALL BE A MINIMUM OF 28 (710) IN HEIGHT.
4. WHEN THE SIDE ROAD LIES BETWEEN THE BEGINNING OF THE MAINLINE SIGNING AND THE WORK ZONE, A SINGLE HEADED ARROW (M6-1) SHALL BE USED IN LIEU OF THE DOUBLE HEADED ARROW (M6-4).
5. WHEN WORK IS BEING PERFORMED ON A SIDE ROAD OR DRIVEWAY, FOLLOW THE APPLICABLE STANDARD(S). THE DIRECTIONAL ARROW (M6-1 OR M6-4) SHALL BE COVERED OR REMOVED WHEN NO LONGER CONSISTENT WITH THE TRAFFIC CONTROL SET-UP.
6. ADVANCE WARNING SIGNS ARE TO BE OMITTED ON DRIVEWAYS UNLESS OTHERWISE SPECIFIED IN THE PLANS OR BY THE ENGINEER.
7. THE TRAFFIC CONTROL AND PROTECTION FOR SIDE ROADS, INTERSECTIONS, AND DRIVEWAYS SHALL BE INCLUDED IN THE COST OF SPECIFIED TRAFFIC CONTROL STANDARDS OR ITEMS.

All dimensions are in inches (millimeters) unless otherwise shown.

USER NAME =	DESIGNED - L.H.A.	REVISED - T. RAMMACHER 01-06-00
	DRAWN -	REVISED - A. SCHUETZE 07-01-13
	CHECKED -	REVISED - A. SCHUETZE 09-15-06
PLOT DATE =	DATE - 06-89	REVISED - D. SENDERAK 05-03-25

**STATE OF ILLINOIS
DEPARTMENT OF TRANSPORTATION**

**TRAFFIC CONTROL AND PROTECTION FOR
SIDE ROADS, INTERSECTIONS, AND DRIVEWAYS**

SCALE: SHEET 1 OF 1 SHEETS STA. TO STA.

F.A. RTE.	SECTION	COUNTY	TOTAL SHEETS	SHEET NO.
VAR	2026-2160-TS	VARIOUS	58	57
TC-10			CONTRACT NO. 80C89	
ILLINOIS FED. AID PROJECT				

TURN BAY ENTRANCE AT START OF LANE CLOSURE TAPER

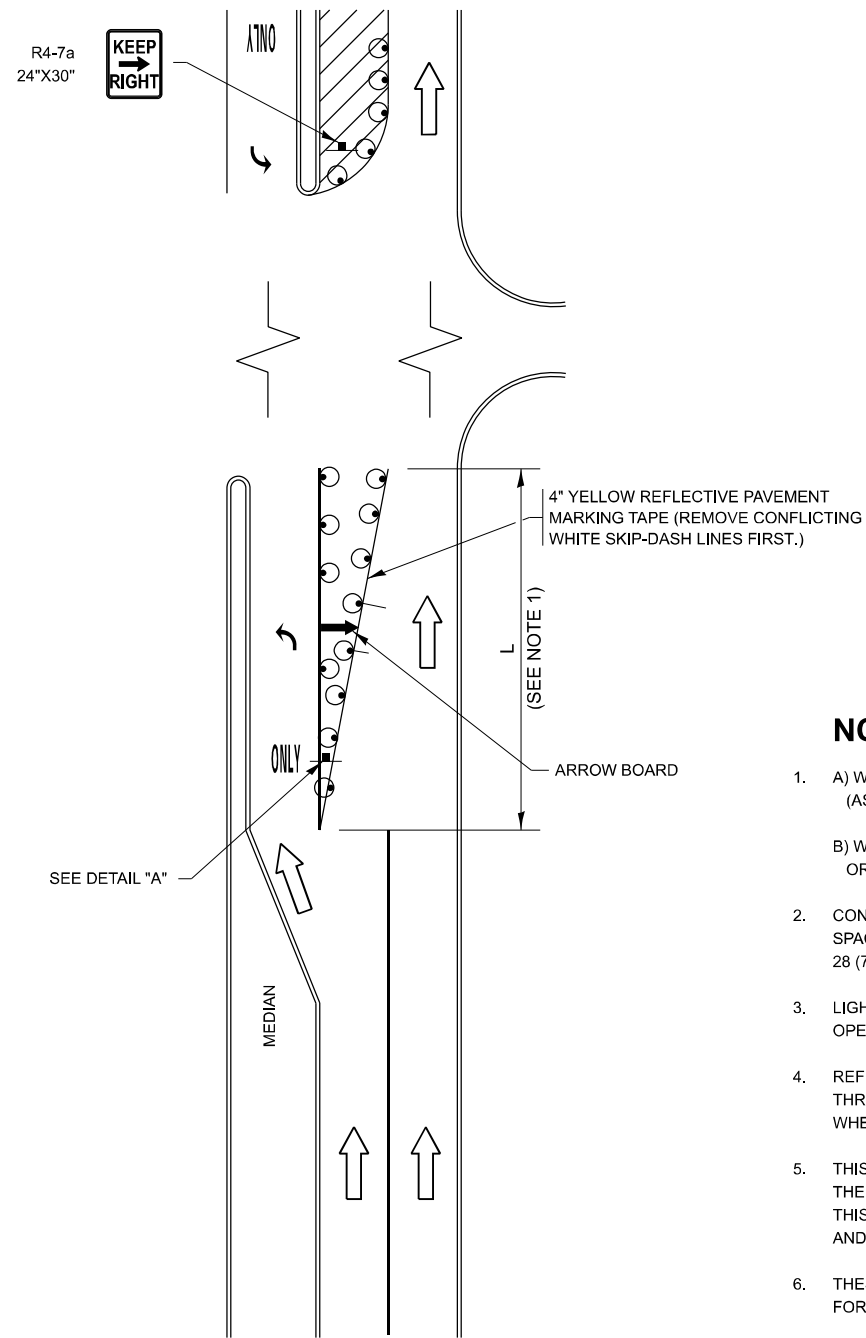


FIGURE 1

TURN BAY ENTRANCE WITHIN A LANE CLOSURE

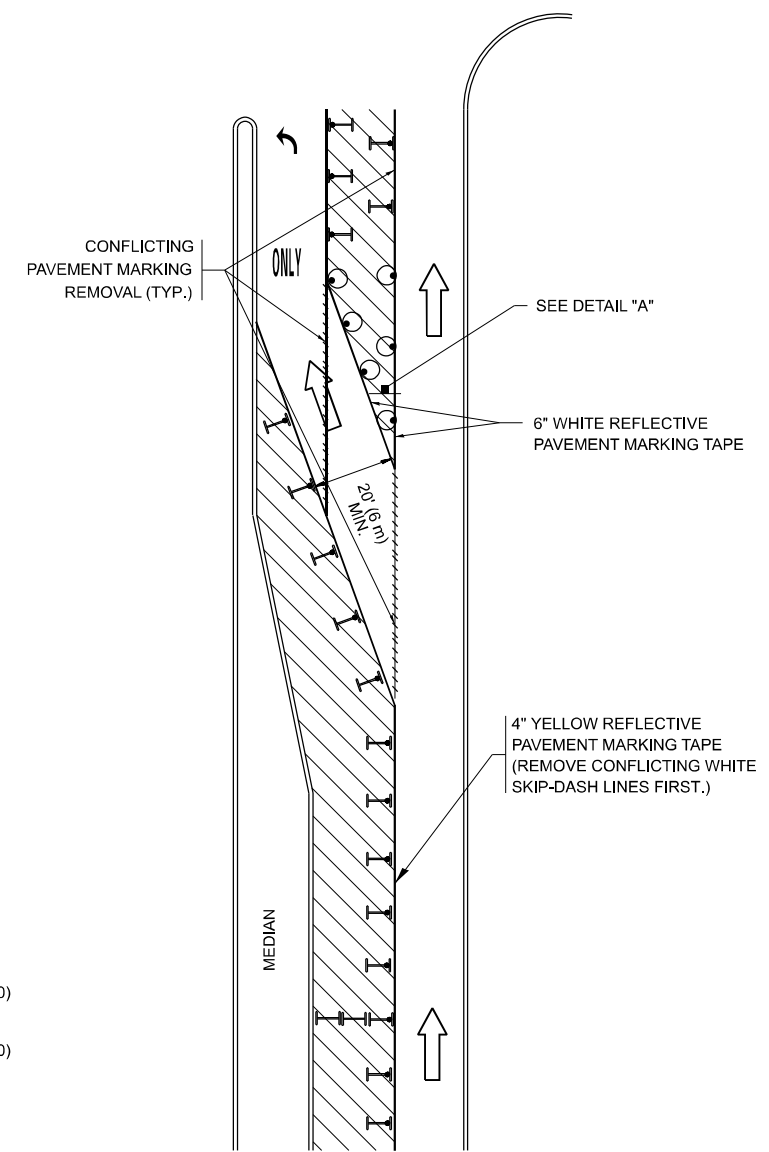


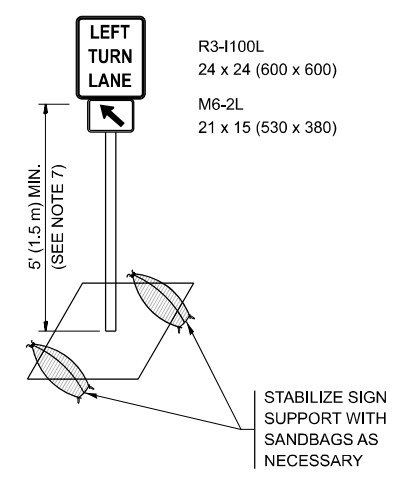
FIGURE 2

LEGEND

- WORK AREA
- LANE OPEN TO TRAFFIC
- ARROW BOARD
- TYPE I OR II BARRICADE OR DRUM WITH STEADY BURN LIGHT
- DRUM WITH STEADY BURN LIGHT
- SIGN ASSEMBLY
- TYPE I OR II CHECK BARRICADE WITH FLASHING LIGHT

NOTES:

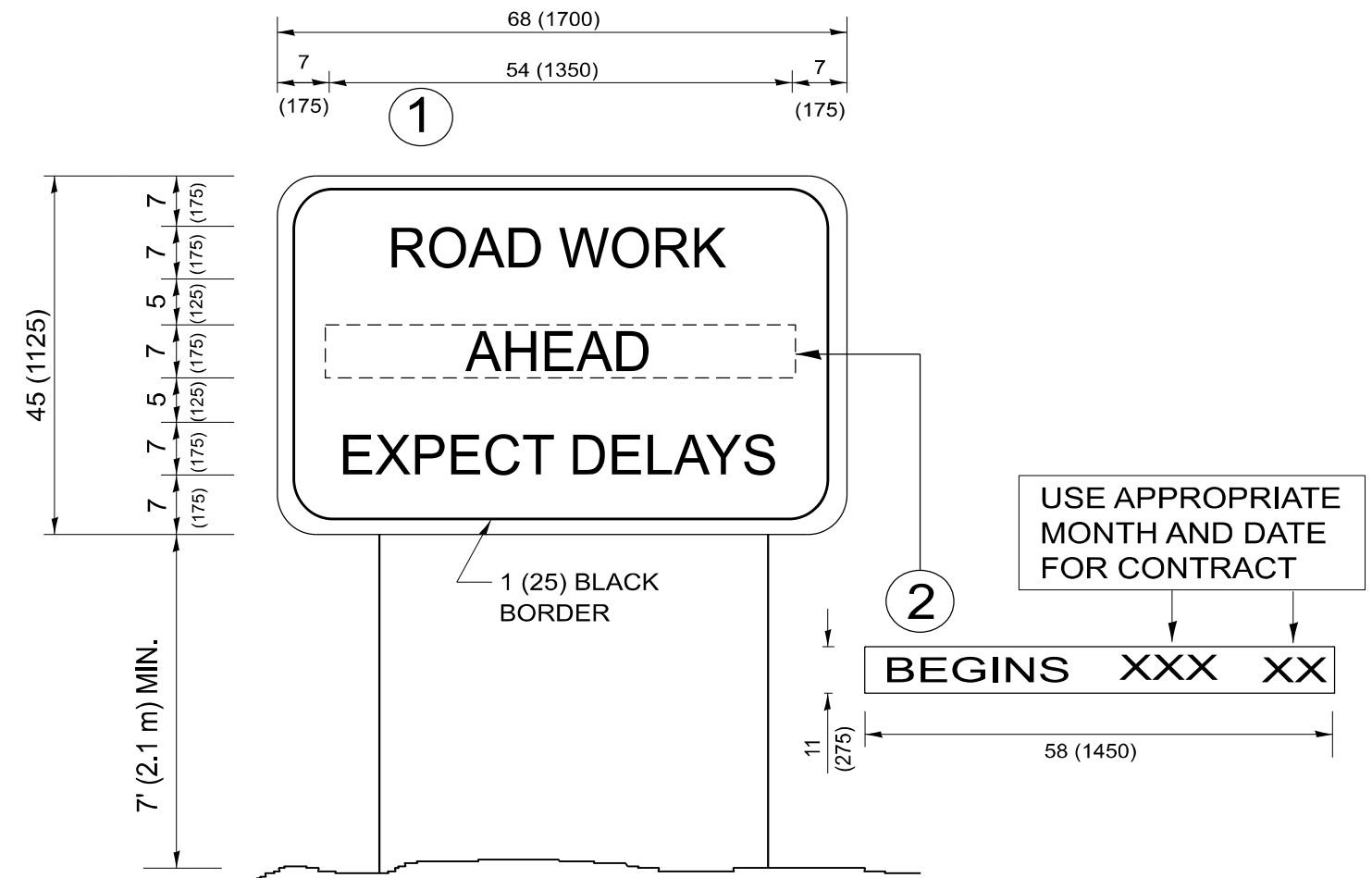
1. A) WHEN "L" IS \leq THE STORAGE LENGTH OF THE TURN LANE (AS SHOWN IN FIG. 1), USE FIGURE 1.
 B) WHEN "L" IS $>$ THE STORAGE LENGTH OF THE TURN LANE OR THE TURN LANE IS WITHIN THE LANE CLOSURE, USE FIGURE 2.
2. CONES MAY BE SUBSTITUTED FOR BARRICADES OR DRUMS AT HALF THE SPACING DURING DAY OPERATIONS. CONES SHALL BE A MINIMUM OF 28 (710) IN HEIGHT.
3. LIGHTS WILL NOT BE REQUIRED ON BARRICADES OR DRUMS FOR DAY OPERATIONS. ALL LIGHTS SHALL BE MONODIRECTIONAL.
4. REFLECTIVE TEMPORARY PAVEMENT MARKINGS SHALL BE PLACED THROUGHOUT THE BARRICADED AREAS OF EACH TURN BAY AS SHOWN WHERE THE CLOSURE TIME IS GREATER THAN FOURTEEN (14) DAYS.
5. THIS APPLICATION ALSO APPLIES WHEN WORK IS BEING PERFORMED IN THE RIGHT LANE(S) AND THE RIGHT TURN BAY IS TO REMAIN OPEN. UNDER THIS CONDITION, "RIGHT TURN LANE" R3-100R 24 x 24 (600 x 600) AND M6-2R 21 x 15 (530 x 380) SHALL BE USED.
6. THESE CONTROLS SHALL SUPPLEMENT MAINLINE TRAFFIC CONTROL FOR LANE CLOSURES.
7. THE SIGNS SHALL BE MOUNTED ABOVE THE BARRICADES/DRUMS ON SEPARATE SIGN SUPPORTS THAT MEET NCHRP 350 OR MASH REQUIREMENTS.
8. TRAFFIC CONTROL AND PROTECTION AT TURN BAYS (TO REMAIN OPEN TO TRAFFIC) SHALL BE INCLUDED IN THE COST OF SPECIFIED TRAFFIC CONTROL STANDARDS OR ITEMS.



DETAIL A

All dimensions are in inches (millimeters) unless otherwise shown.

USER NAME = DRAWN - A. HOUSEH 11-07-95 CHECKED - A. HOUSEH 10-12-96 PLOT DATE =	DESIGNED - T. RAMMACHER 09-08-94 DRAWN - A. HOUSEH 11-07-95 CHECKED - A. HOUSEH 10-12-96 DATE - T. RAMMACHER 01-06-00	REVISED - R. BORO 09-14-09 REVISED - A. SCHUETZE 07-01-13 REVISED - A. SCHUETZE 09-15-16 REVISED -	STATE OF ILLINOIS DEPARTMENT OF TRANSPORTATION	TRAFFIC CONTROL AND PROTECTION AT TURN BAYS (TO REMAIN OPEN TO TRAFFIC)	F.A. RTE. VAR TC-14	SECTION 2026-2160-TS TC-14	COUNTY VARIOUS CONTRACT NO. 80C89	TOTAL SHEETS 58	SHEET NO. 57A
SCALE: NONE				SHEET 1 OF 1 SHEETS		STA. TO STA.		ILLINOIS FED. AID PROJECT	



NOTES:

1. USE BLACK LETTERING ON ORANGE BACKGROUND.
2. ERECT SIGNS IN ADVANCE OF THE LOCATION FOR THE "ROAD CONSTRUCTION AHEAD" SIGN AT LOCATIONS AS DIRECTED BY THE ENGINEER.
3. ERECT SIGN ① WITH INSTALLED PANEL ② ONE WEEK PRIOR TO THE START OF CONSTRUCTION.
4. REMOVE PANEL ② SOON AFTER THE START OF CONSTRUCTION.
5. SEE SPECIAL PROVISION FOR "TEMPORARY INFORMATION SIGNING" FOR ADDITIONAL INFORMATION.
6. ONE SIGN ASSEMBLY EQUALS 25.70 SQ. FT. (2.3 SQ. M.)
7. SHALL BE PAID FOR AS TEMPORARY INFORMATION SIGNING.

ALL DIMENSIONS ARE IN INCHES (MILLIMETERS)
UNLESS OTHERWISE SHOWN.

USER NAME =	DESIGNED -	REVISED - R. MIRS 09-15-97	STATE OF ILLINOIS DEPARTMENT OF TRANSPORTATION	ARTERIAL ROAD INFORMATION SIGN			F.A. RTE.	SECTION	COUNTY	TOTAL SHEETS	SHEET NO.	
	DRAWN -	REVISED - R. MIRS 12-11-97					VAR	2026-2160-TS	VARIOUS	58	58	
PLOT DATE =	CHECKED -	REVISED - T. RAMMACHER 02-02-99		SCALE: NONE			SHEET 1 OF 1 SHEETS STA. TO STA.			TC-22		CONTRACT NO. 80C89
	DATE -	REVISED - C. JUCIUS 01-31-07					ILLINOIS		FED. AID PROJECT			