

STATE OF ILLINOIS
DEPARTMENT OF TRANSPORTATION

F.A.P. RTE.	SECTION	COUNTY	TOTAL SHEETS	SHEET NO.
310	(69-2B-2)BDR	MORGAN	8	1
		ILLINOIS	CONTRACT NO. 72512	

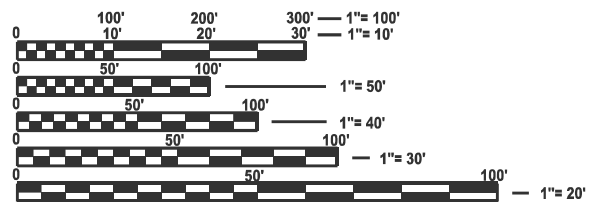
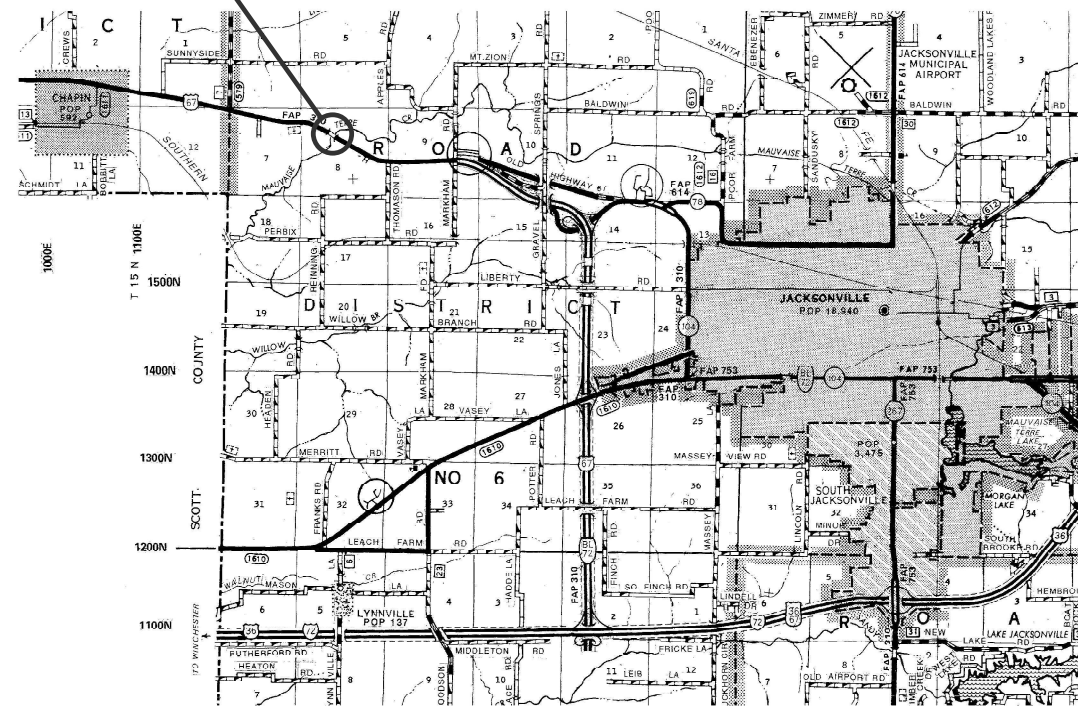
FOR INDEX OF SHEETS, SEE SHEET NO. 2

PROPOSED CONTRACT MAINTENANCE

FAP ROUTE 310 (US 67, IL 104)
SECTION (69-2B-2)BDR
PROJECT (STATE ONLY)
BRIDGE DECK REPAIR
MORGAN COUNTY
C-96-032-26



SN 069-0512
US 67, IL 104 SB OVER
MAUVAISE TEERE CREEK
1.3MI E of CONCORD



FULL SIZE PLANS HAVE BEEN PREPARED USING STANDARD ENGINEERING SCALES. REDUCED SIZED PLANS WILL NOT CONFORM TO STANDARD SCALES. IN MAKING MEASUREMENTS ON REDUCED PLANS, THE ABOVE SCALES MAY BE USED.

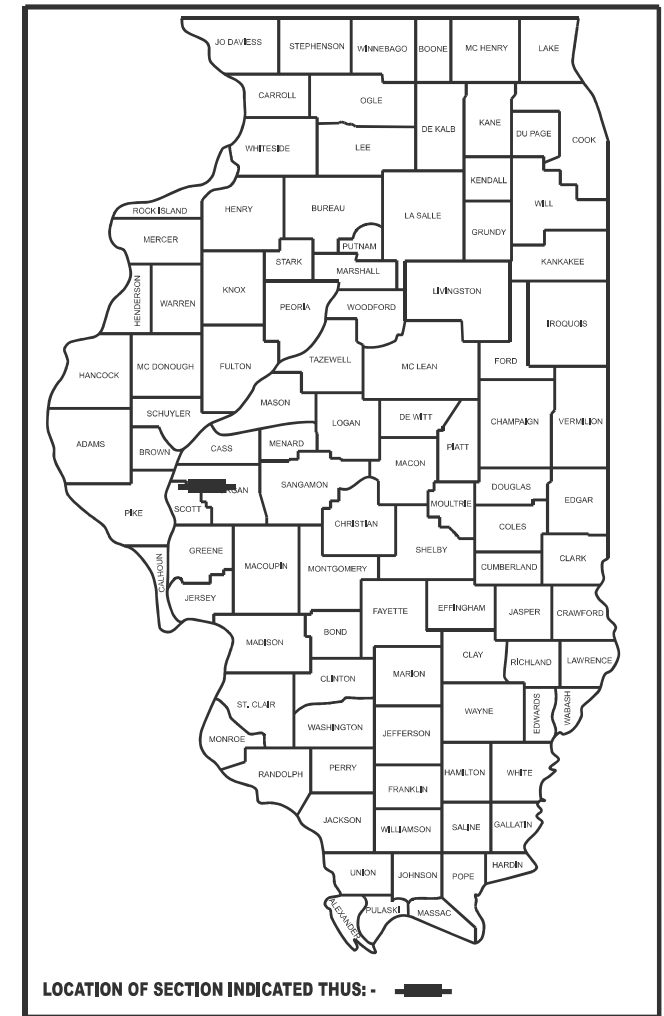
J.U.L.I.E.
JOINT UTILITY LOCATION INFORMATION FOR EXCAVATION
1-800-892-0123
OR 811

PROJECT ENGINEER: BRANDON DUDLEY - 217-785-9290
PROJECT MANAGER: SYEDA KAMRAN

GROSS LENGTH = 351 FT. = 0.07 MILE
NET LENGTH = 351 FT. = 0.07 MILE

CONTRACT NO. 72512

D-96-007-26



STATE OF ILLINOIS
DEPARTMENT OF TRANSPORTATION

SUBMITTED March 10, 2026
Teresa C. Price
REGIONAL ENGINEER

May 8, 2026
[Signature]
ENGINEER OF DESIGN AND ENVIRONMENT

May 8, 2026
[Signature]
DIRECTOR OF HIGHWAYS PROJECT IMPLEMENTATION

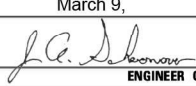
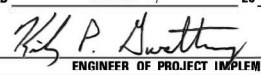

PRINTED BY THE AUTHORITY
OF THE STATE OF ILLINOIS

INDEX OF SHEETS

- 1 COVER SHEET
- 2 INDEX, STANDARDS, & SIGNATURES
- 3 SUMMARY OF QUANTITIES
- 4-6 TRAFFIC CONTROL DETAILS
- 7-8 BRIDGE PLANS, SN 069-0512

HIGHWAY STANDARDS

- 000001-09
- 001006
- 483001-06
- 701101-05
- 701106-02
- 701400-12
- 701401-13
- 701901-11

STATE OF ILLINOIS DEPARTMENT OF TRANSPORTATION DIVISION OF HIGHWAYS DISTRICT 6	
EXAMINED	March 9, 20 26
 ENGINEER OF OPERATIONS	
EXAMINED	March 6, 20 26
 ENGINEER OF PROJECT IMPLEMENTATION	
EXAMINED	March 6, 20 26
 ENGINEER OF PROGRAM DEVELOPMENT	

MODEL: index-1 [Sheet]
FILE NAME: c:\p\work\p\vision\dudley\m\116758172512.plansheet.dgn

	USER NAME = brandon.dudley	DESIGNED -	REVISED -	STATE OF ILLINOIS DEPARTMENT OF TRANSPORTATION	INDEX OF SHEETS, HIGHWAY STANDARDS, & SIGNATURES	F.A.P. RTE.	SECTION	COUNTY	TOTAL SHEETS	SHEET NO.	
		DRAWN -	REVISED -			310	(69-2B-2)BDR	MORGAN	8	2	
		CHECKED -	REVISED -			CONTRACT NO. 72512					
	PLOT DATE = 3/9/2026	DATE -	REVISED -			SCALE:	SHEET 2 OF 2 SHEETS	STA.	TO STA.	ILLINOIS FED. AID PROJECT	

0-02180-6020
 SN 069-0512
 100% STATE

CODE NO.	ITEM	UNIT	TOTAL QUANTITY	MORGAN 0047 BRIDGE-RURAL
44004250	PAVED SHOULDER REMOVAL	SQ YD	16	16
48300500	PORTLAND CEMENT CONCRETE SHOULDERS 10"	SQ YD	16	16
50300300	PROTECTIVE COAT	SQ YD	58	58
53016000	DECK SLAB REPAIR (PARTIAL)	SQ YD	56	56
53016001	DECK SLAB REPAIR (FULL DEPTH, TYPE I)	SQ YD	2	2
67100100	MOBILIZATION	L SUM	1	1
70107005	PAVEMENT MARKING BLACKOUT TAPE, 5"	FOOT	2620	2620
70107025	CHANGEABLE MESSAGE SIGN	CAL DA	14	14
70300150	SHORT TERM PAVEMENT MARKING REMOVAL	SQ FT	1093	1093
X6050222	FILLING INLETS. TEMPORARY	EACH	2	2
X7010805	TRAFFIC CONTROL AND PROTECTION, STANDARD 701401 (SPECIAL)	L SUM	1	1
X7200201	WIDTH RESTRICTION SIGNING	L SUM	1	1
Z0012500	CONCRETE CURB REPAIR	FOOT	27	27
Z0032500	JOINT SEALING (PATCHES)	FOOT	700	700

MODEL: SOQ (Sheet)
 FILE NAME: c:\p\work\pavistodudley\m1167581172512.plansheet.dgn

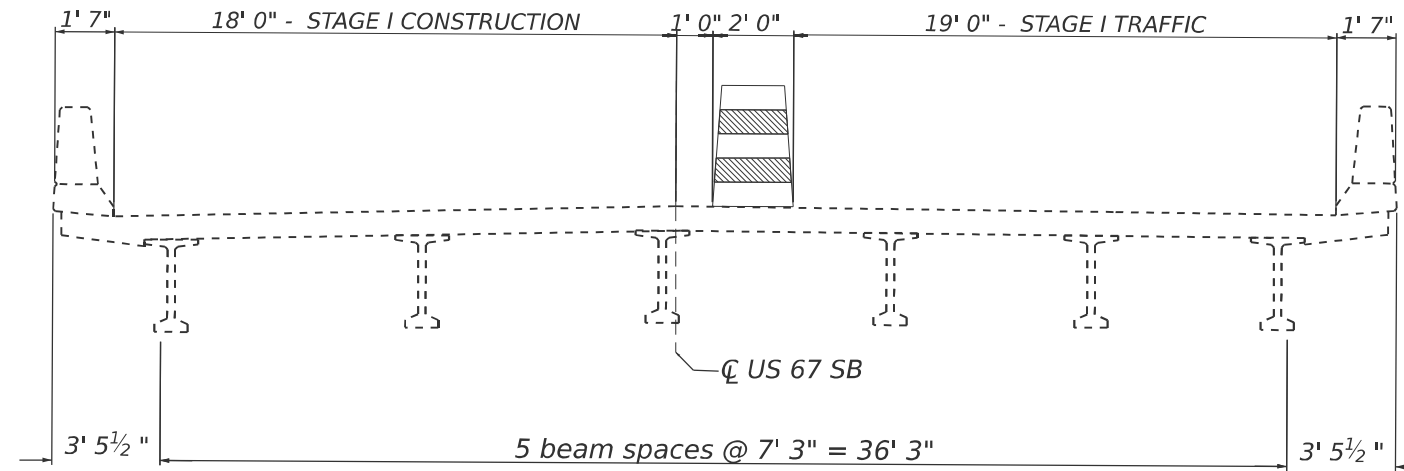
USER NAME = brandon.dudley	DESIGNED -	REVISED -
	DRAWN -	REVISED -
	CHECKED -	REVISED -
PLOT DATE = 3/9/2026	DATE -	REVISED -

**STATE OF ILLINOIS
 DEPARTMENT OF TRANSPORTATION**

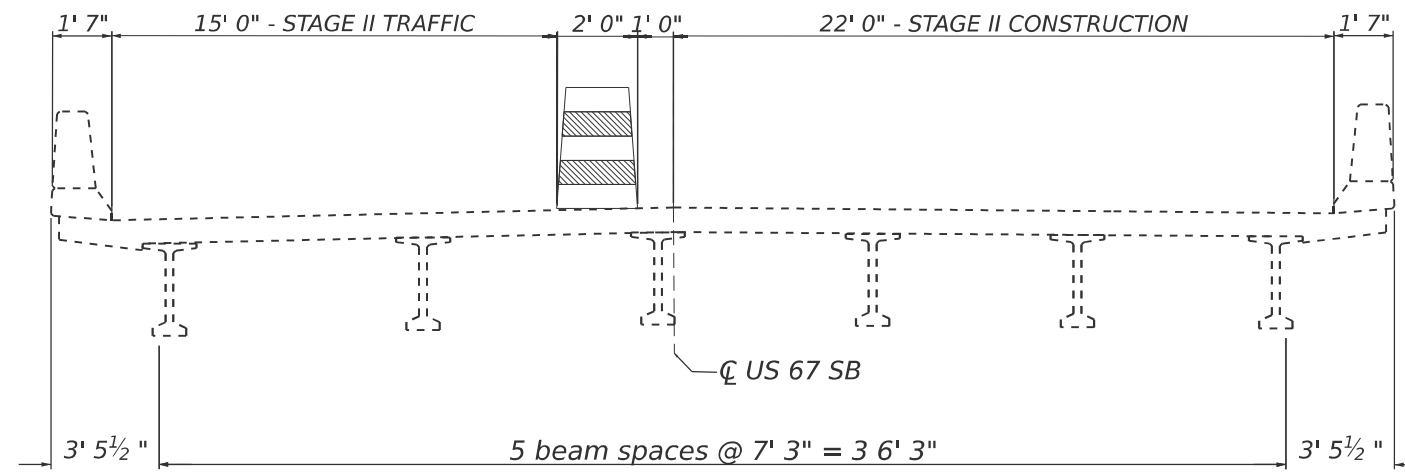
SUMMARY OF QUANTITIES

SCALE: SHEET 3 OF 3 SHEETS STA. TO STA.

F.A.P. RTE.	SECTION	COUNTY	TOTAL SHEETS	SHEET NO.
310	(69-2B-2)BDR	MORGAN	8	3
ILLINOIS FED. AID PROJECT			CONTRACT NO. 72512	



STAGE I TRAFFIC CROSS SECTION
(LOOKING SOUTH)



STAGE II TRAFFIC CROSS SECTION
(LOOKING SOUTH)

MODEL: traffic (Sheet)
FILE NAME: c:\p\work\pavistodudley\mtd1167581172512.plansheet.dgn

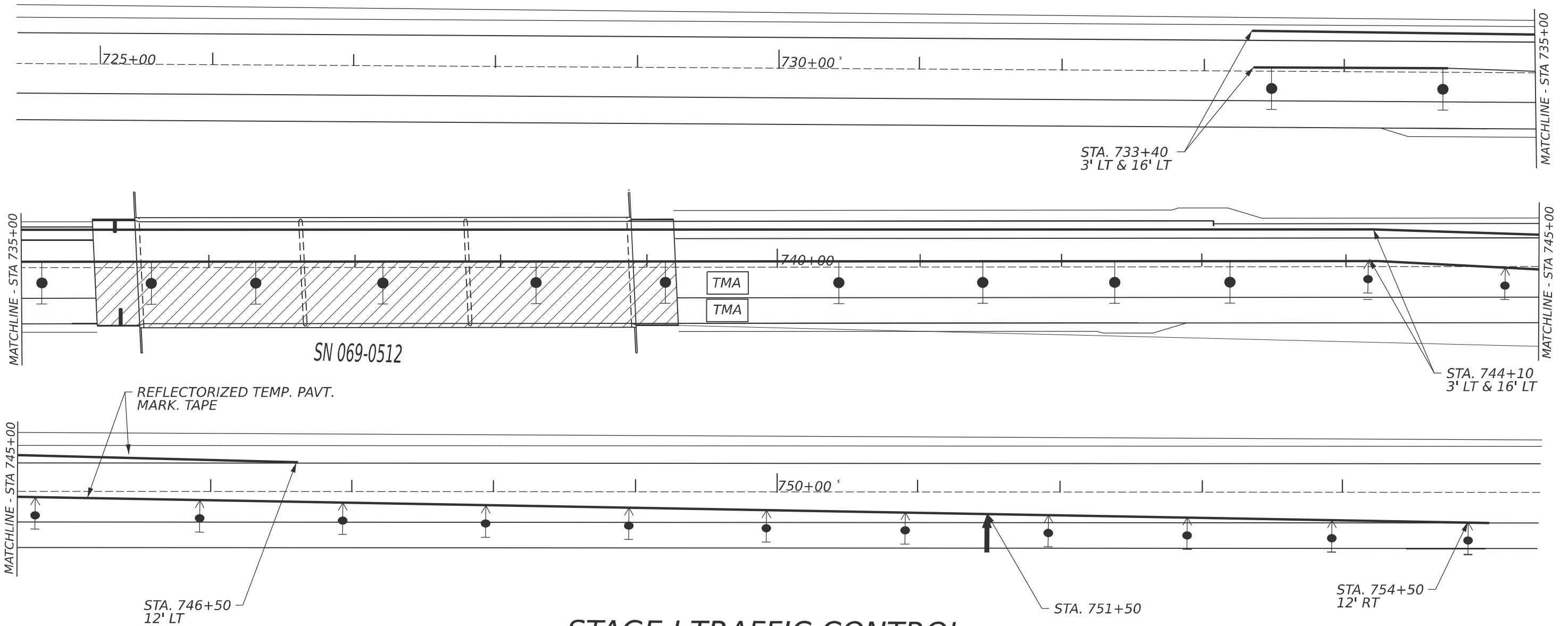
USER NAME = brandon.dudley	DESIGNED -	REVISED -
	DRAWN -	REVISED -
	CHECKED -	REVISED -
PLOT DATE = 3/9/2026	DATE -	REVISED -

**STATE OF ILLINOIS
DEPARTMENT OF TRANSPORTATION**

TRAFFIC STAGING DETAIL

SCALE: SHEET 4 OF 4 SHEETS STA. TO STA.

F.A.P. RTE.	SECTION	COUNTY	TOTAL SHEETS	SHEET NO.
310	(69-2B-2)BDR	MORGAN	8	4
ILLINOIS FED. AID PROJECT			CONTRACT NO. 72512	



STAGE I TRAFFIC CONTROL

SYMBOLS

- ARROW BOARD
- WORK AREA
- DIRECTION INDICATOR BARRICADE WITH STEADY BURN MONODIRECTIONAL LIGHT
- TYPE II BARRICADE, DRUM, OF VERTICAL BARRICADE WITH STEADY BURN MONODIRECTIONAL LIGHT

ADVANCED WARNING
PER STANDARD 701400

TRAFFIC CONTROL NOTES:

1. Traffic control devices shown in this detail shall be per standard 701401. Devices and temporary pavement markings shown in this detail shall be included in the cost of TRAFFIC CONTROL AND PROTECTION, STANDARD 701401.
2. Left and right offsets refer to the centerline of SB roadway, not the US 67 centerline.

MODEL: traffic-2 (Sheet)
FILE NAME: c:\p\work\pav\tdudley\m116758172512_plansheet.dgn

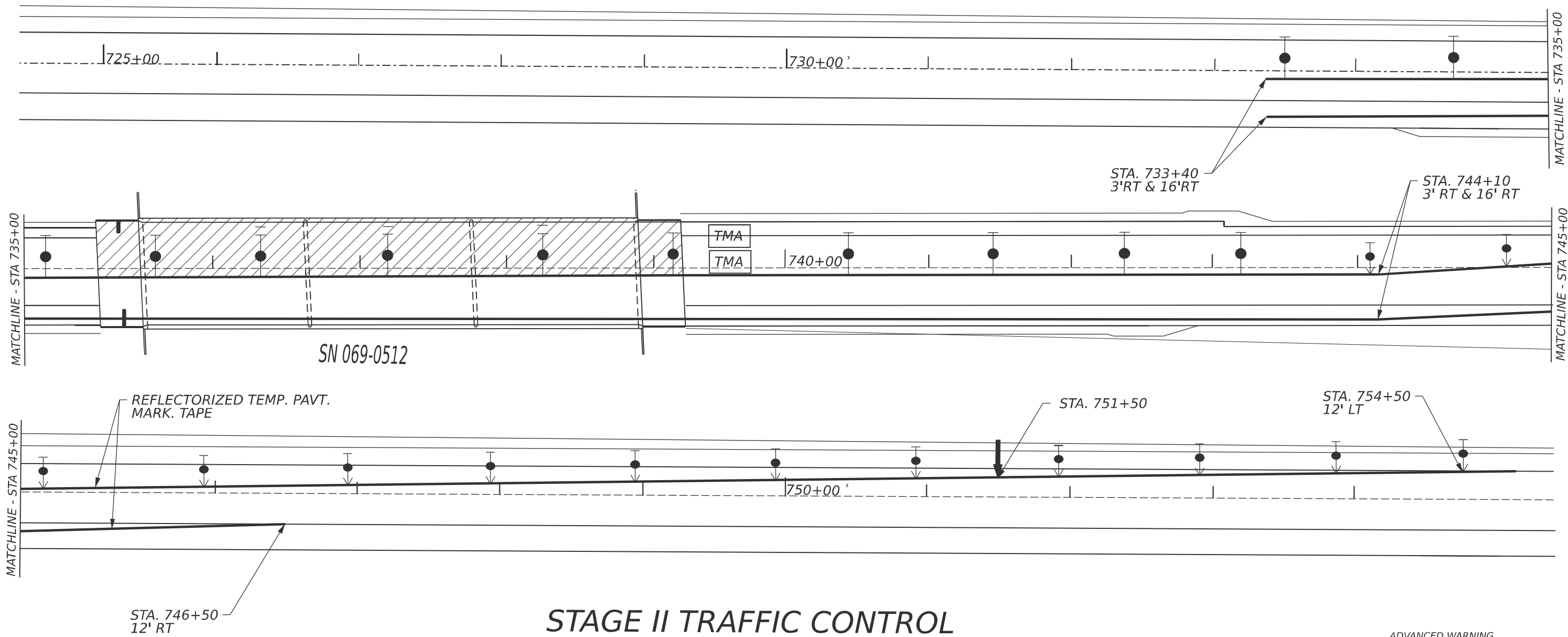
USER NAME = brandon.dudley	DESIGNED -	REVISED -	
	DRAWN -	REVISED -	
	CHECKED -	REVISED -	
PLOT DATE = 3/9/2026	DATE -	REVISED -	

**STATE OF ILLINOIS
DEPARTMENT OF TRANSPORTATION**

**STAGE I TRAFFIC CONTROL PLAN
SN 069-0512**

SCALE: SHEET 5 OF 3 SHEETS STA. TO STA.

F.A.P. RTE.	SECTION	COUNTY	TOTAL SHEETS	SHEET NO.
310	(69-2B-2)BDR	MORGAN	8	5
CONTRACT NO. 72512				
ILLINOIS FED. AID PROJECT				



STAGE II TRAFFIC CONTROL

SYMBOLS

- ARROW BOARD
- WORK AREA
- DIRECTION INDICATOR BARRICADE WITH STEADY BURN MONODIRECTIONAL LIGHT
- TYPE II BARRICADE, DRUM, OF VERTICAL BARRICADE WITH STEADY BURN MONODIRECTIONAL LIGHT



TRAFFIC CONTROL NOTES:

1. Traffic control devices shown in this detail shall be per standard 701401. Devices and temporary pavement markings shown in this detail shall be included in the cost of TRAFFIC CONTROL AND PROTECTION, STANDARD 701401.
2. Left and right offsets refer to the centerline of SB roadway, not the US 67 centerline.

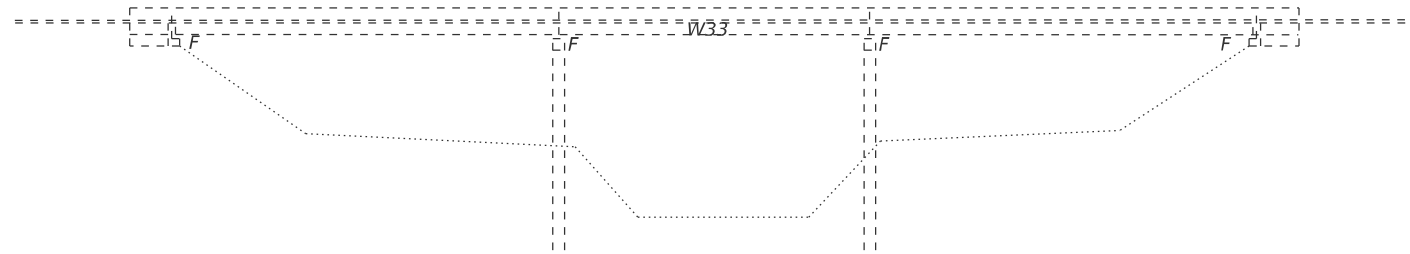
MODEL: traffic-3 (Sheet)
FILE NAME: c:\p\work\pav\tdudley\m116758172512.plansheet.dgn

USER NAME = brandon.dudley	DESIGNED -	REVISED -	
	DRAWN -	REVISED -	
	CHECKED -	REVISED -	
PLOT DATE = 3/9/2026	DATE -	REVISED -	

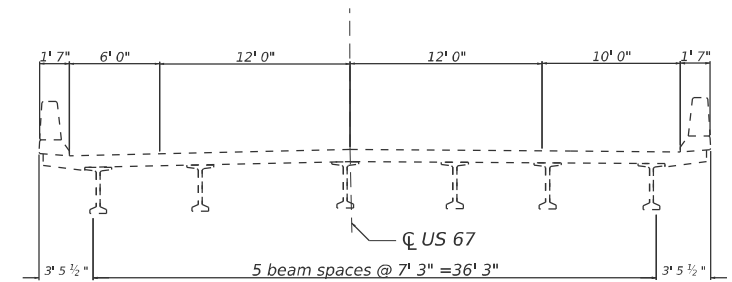
**STATE OF ILLINOIS
DEPARTMENT OF TRANSPORTATION**

STAGE II TRAFFIC CONTROL PLAN SN 069-0512			
SCALE:	SHEET 6	OF 6 SHEETS	STA. TO STA.

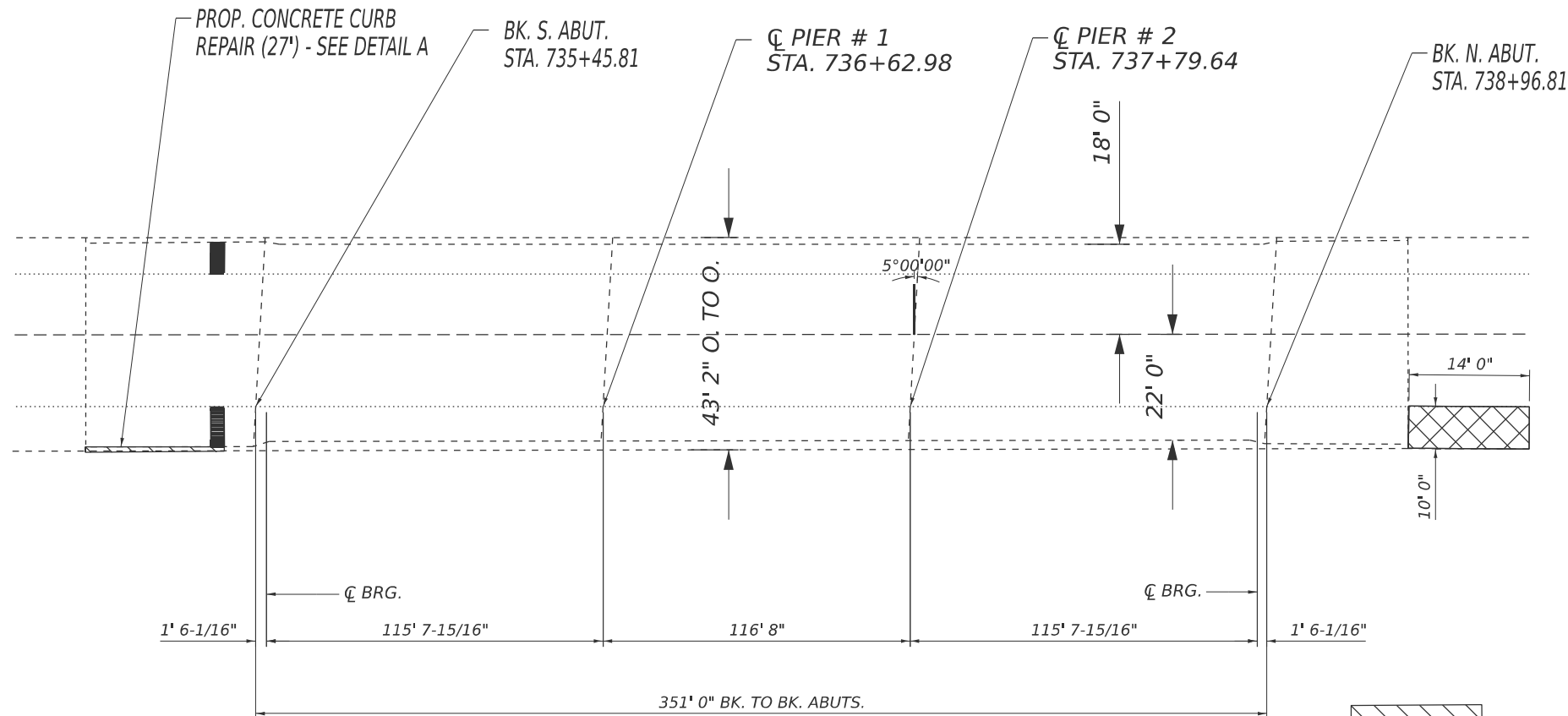
F.A.P. RTE.	SECTION	COUNTY	TOTAL SHEETS	SHEET NO.
310	(69-2B-2)BDR	MORGAN	8	6
CONTRACT NO. 72512				
ILLINOIS FED. AID PROJECT				



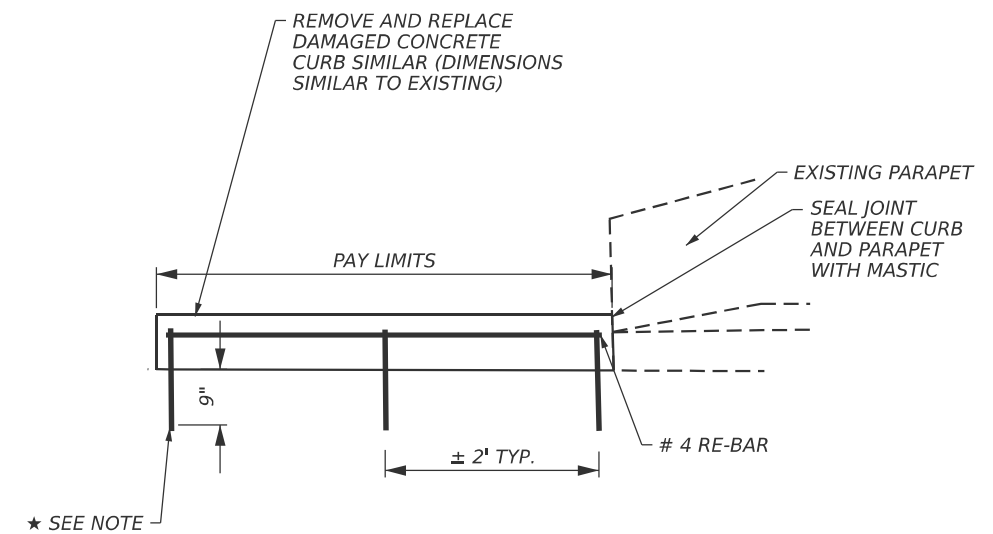
ELEVATION



CROSS SECTION
(LOOKING SOUTH)



PLAN



DETAIL A - CONCRETE CURB REPAIR ELEVATION

★ # 4 RE-BAR EPOXY GROUTED 9" MIN. INTO APPR. PER ART. 584 OF THE STANDARD SPECIFICATIONS (TYP.), COST INCLUDED IN CONCRETE CURB REPAIR (SEE SPECIAL PROVISIONS).

GENERAL NOTES

Plan dimensions and details relative to the existing structure have been taken from existing plans and are subject to nominal construction variations. The Contractor shall field verify existing dimensions and details affecting new construction and make necessary approved adjustments prior to construction or ordering of materials. Such variations shall not be cause for additional compensation for a change in scope of the work, however, the Contractor will be paid for the quantity actually furnished at the unit price bid for the work.

Areas of deck repairs shown are estimated. The Engineer shall show actual locations of deck repairs on As-built Plans.



Expires November 30, 2026

Justin W. Mann

- Concrete Curb Repair
- Concrete Shoulder Patch

TOTAL BILL OF MATERIAL - SN 069-0512

ITEM	UNIT	QUANTITY
Deck Slab Repair (Partial)	Sq. Yd.	56
* Deck Slab Repair (Full Depth, Type I)	Sq. Yd.	2
Joint Sealing (Patches)	Foot.	700
** Protective Coat	Sq. Yd.	58
Paved Shoulder Removal	Sq. Yd.	16.
Portland Cement Concrete Shoulder 10"	Sq. Yd.	16
Concrete Curb Repair	Foot	27
Filling Inlets Temporary	Each	2

* Quantity is estimated. Location and size of patches to be determined in the field by the Engineer.

** Apply to areas of new concrete only.

MODEL: bridge (Sheet)
FILE NAME: c:\p\work\p\w\106106\du\by\m\1167581172512_plansheet.dgn

USER NAME = brandon.dudley	DESIGNED -	REVISED -
	DRAWN -	REVISED -
	CHECKED -	REVISED -
PLOT DATE = 3/9/2026	DATE -	REVISED -

STATE OF ILLINOIS
DEPARTMENT OF TRANSPORTATION

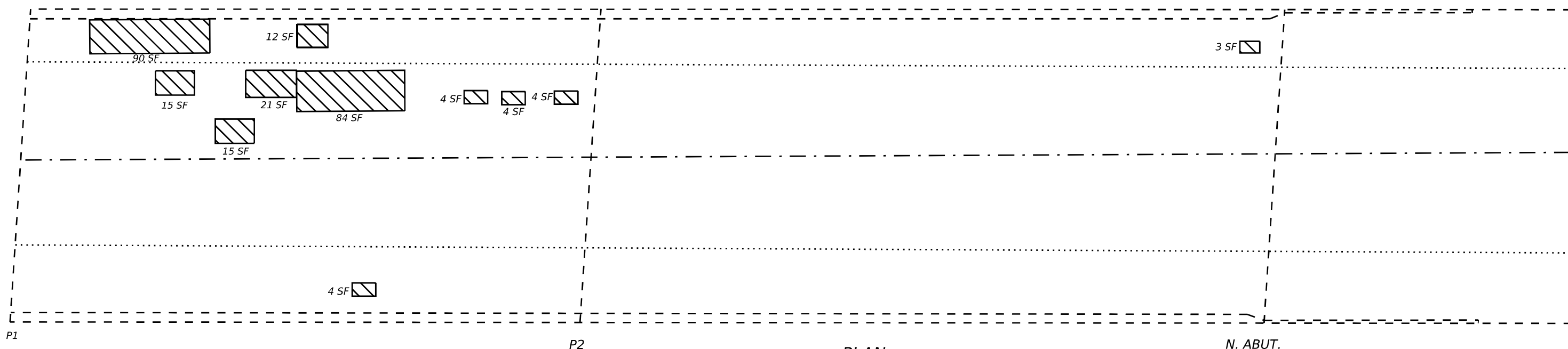
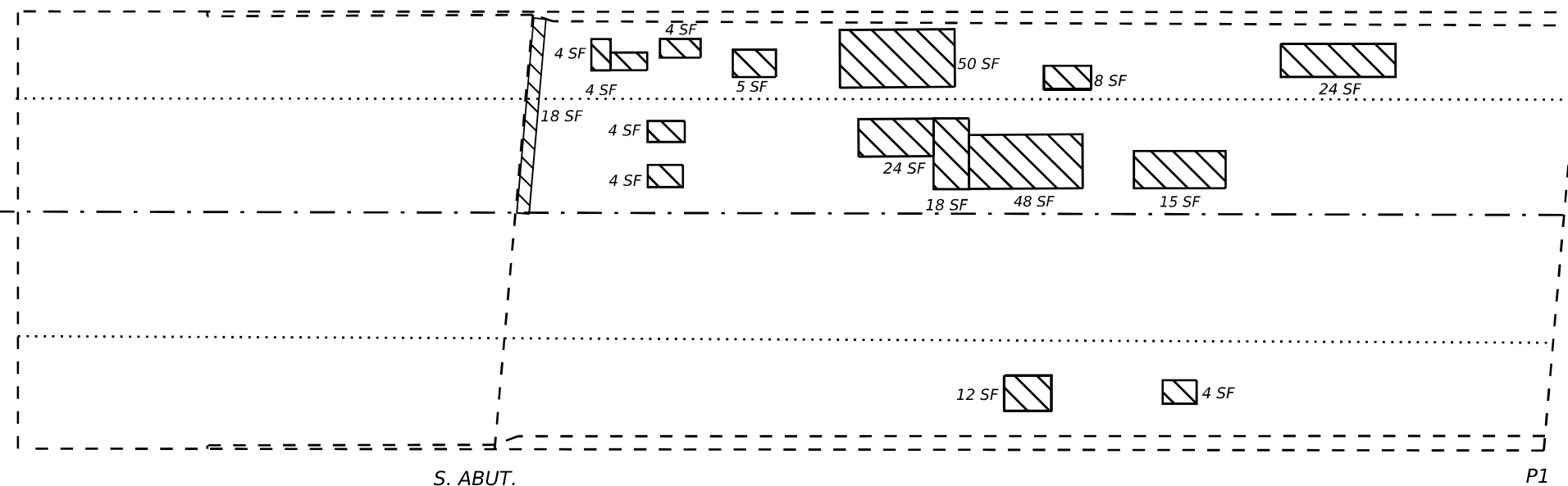
BRIDGE GENERAL PLAN & ELEVATION
SN 069-0512

SCALE: SHEET 7 OF 7 SHEETS STA. TO STA.

F.A.P. RTE.	SECTION	COUNTY	TOTAL SHEETS	SHEET NO.
310	(69-2B-2)BDR	MORGAN	8	7
CONTRACT NO. 72512			ILLINOIS FED. AID PROJECT	



Q US 67 SB



PLAN

TOTAL BILL OF MATERIAL - SN 069-0512

ITEM	UNIT	QUANTITY
Deck Slab Repair (Partial)	Sq.Yd.	56
* Deck Slab Repair (Full Depth, Type I)	Sq.Yd.	2
Joint Sealing (Patches)	Foot.	700
** Protective Coat	Sq.Yd.	58

Deck Slab Repair (Partial)

Identified patching locations are estimated from a deck survey performed on 11/19/2024. The patching survey is included for information only. The engineer shall lay out actual patch locations in the field.

The engineer shall show actual sizes & locations of deck repairs on as-built plans. Full depth patches shall be covered with steel plates during non-work hours.

JOINT SEALING (PATCHES) shall be applied in locations as directed in the special provisions, along the entire length of any existing stage construction joints, and along the construction joints between the abutment and approaches.

* Quantity is estimated. Location and size of patches to be determined in the field by the Engineer.
 ** Apply to areas of new concrete only.

MODEL: bridge-1 (Sheet)
FILE NAME: c:\p\work\wiscon\dudley\mtd116758172512_plansheet.dgn

USER NAME = brandon.dudley	DESIGNED -	REVISED -
	DRAWN -	REVISED -
	CHECKED -	REVISED -
PLOT DATE = 4/23/2026	DATE -	REVISED -

**STATE OF ILLINOIS
DEPARTMENT OF TRANSPORTATION**

**SLAB REPAIR DETAIL
SN 069-0512**

SCALE: SHEET 8 OF 8 SHEETS STA. TO STA.

F.A.P. RTE.	SECTION	COUNTY	TOTAL SHEETS	SHEET NO.
310	(69-2B-2)BDR	MORGAN	8	8
CONTRACT NO. 72512				
ILLINOIS FED. AID PROJECT				