

STATE OF ILLINOIS 06-12-2026 LETTING ITEM 131
 DEPARTMENT OF TRANSPORTATION

F.A.I. RTE.	SECTION	COUNTY	TOTAL SHEETS	SHEET NO.
57	(15-22HB-4)BR (15-22)R	COLES	1085	1
		ILLINOIS	CONTRACT NO. 74435	

ADT: 20,200 (I-57/2023)
 15,900 (IL 16/2023)

FOR INDEX OF SHEETS, SEE SHEET NO. 2

PAVING OMISSIONS

NB I-57: STA. 813+79.64 TO STA. 815+88.05 (BRIDGE OVER IL 316)

SB I-57: STA. 813+79.46 TO STA. 815+87.97 (BRIDGE OVER IL 316)

DESIGN DESIGNATION

I-57: 2928(45) INTERSTATE 29.36(FD-20)
 RAMPS: 359(45) INTERSTATE 2.85(FDE-20)
 IL 16: 2487(45) OTHER PRINCIPAL ARTERIAL 5.06(PCC-20)

**PROPOSED
 HIGHWAY PLANS**

**FAI ROUTE 57 (I-57)
 SECTION (15-22HB-4)BR (15-22)R
 PROJECT NHPP-BR-CFS0(030)
 RECONSTRUCTION/BRIDGE REPLACEMENT
 COLES COUNTY**

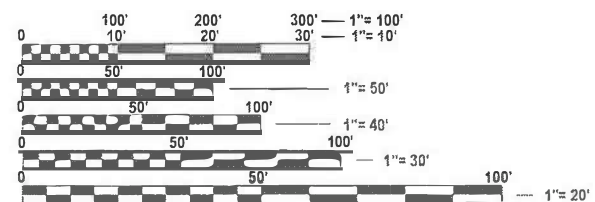
C-97-038-10



PROJECT ENDS: STA. 840+69

PR. S.N. 015-2026 AT STA. 808+31.35 IS A 14'H X 16'W X 272.5 L BOX CULVERT THAT REPLACES EX. S.N. 015-0051 (SB) & EX. S.N. 015-0052 (NB). THE EX. STR'S ARE 4-SPAN BRIDGES WITH A LENGTH OF 141'-5" THAT SPAN THE LINCOLN PRAIRIE GRASS TRAIL.

PR. S.N. 015-0078 (NB) AT STA. 788+65.37 & PR. S.N. 015-0079 (SB) AT STA. 788+67.44 ARE 2-SPAN BRIDGES OVER IL 16 WITH A LENGTH OF 194'-0". THEY REPLACE EX. S.N. 015-0005 (NB) & S.N. 015-0006 (SB). THE EX. STR'S ARE 4-SPAN BRIDGES WITH A LENGTH OF 237'-8".



FULL SIZE PLANS HAVE BEEN PREPARED USING STANDARD ENGINEERING SCALES. REDUCED SIZED PLANS WILL NOT CONFORM TO STANDARD SCALES. IN MAKING MEASUREMENTS ON REDUCED PLANS, THE ABOVE SCALES MAY BE USED.

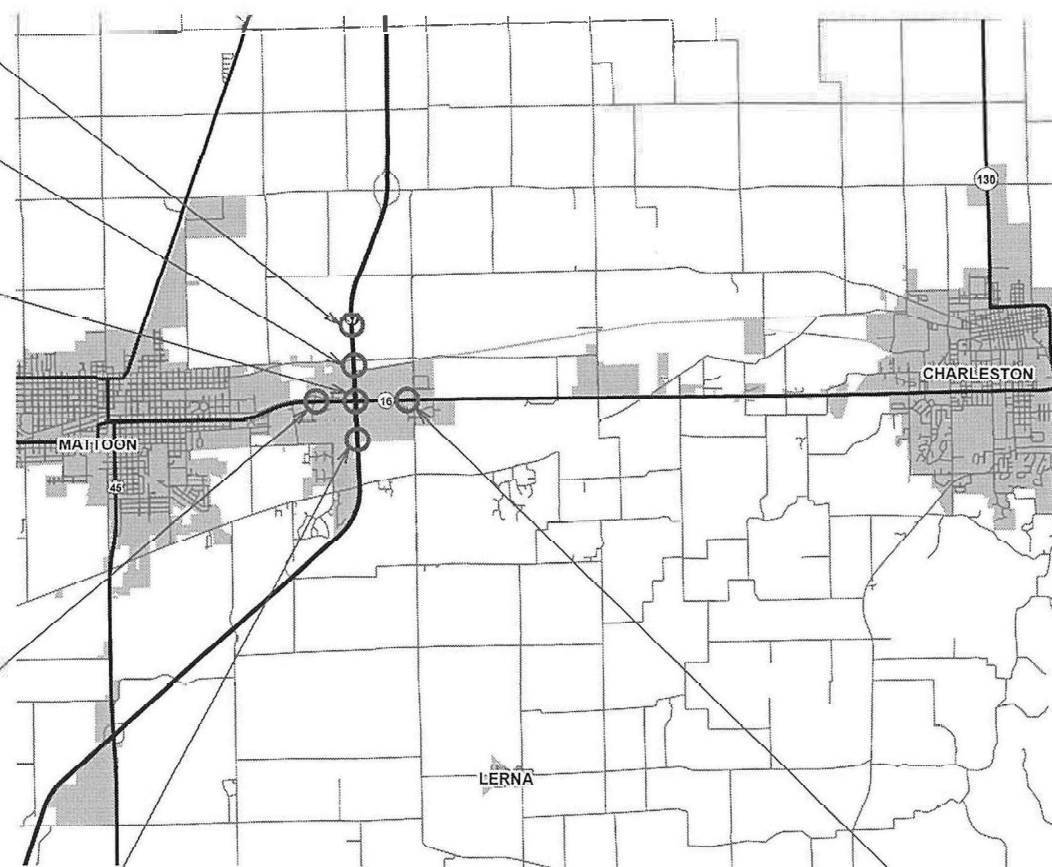
J.U.L.I.E.
 JOINT UTILITY LOCATION INFORMATION FOR EXCAVATION
 1-800-892-0123
 OR 811

PROJECT ENGINEER: MATT BOWER
 PROJECT MANAGER: KALEB HIRTZEL
 (217)342-8256

CONTRACT NO. 74435

IL 16 WEST LIMIT:
 STA. 91+75

PROJECT BEGINS: STA. 760+60



GROSS LENGTH = 8009.00 FT. = 1.517 MILES
 NET LENGTH = 7800.49 FT. = 1.477 MILES

IL 16 EAST LIMIT:
 STA. 147+95

STATE OF ILLINOIS
 DEPARTMENT OF TRANSPORTATION

SUBMITTED August 14 20 25
 Terese C. Prieljas
 REGIONAL ENGINEER

October 3 20 25
 [Signature]
 ENGINEER OF DESIGN AND ENVIRONMENT

October 3 20 25
 [Signature]
 DIRECTOR OF HIGHWAYS PROJECT IMPLEMENTATION

PRINTED BY THE AUTHORITY
 OF THE STATE OF ILLINOIS

SUMMARY OF QUANTITIES			TOTAL QUANTITIES	CONSTRUCTION TYPE CODE		
CODE NO	ITEM	UNIT		URBAN 90% FEDERAL 10% STATE I-57 0004	URBAN 80% FEDERAL 20% STATE IL 16 0004	URBAN 90% FEDERAL 10% STATE I-57 0010
20100110	TREE REMOVAL (6 TO 15 UNITS DIAMETER)	UNIT	265	265		
20100210	TREE REMOVAL (OVER 15 UNITS DIAMETER)	UNIT	484	367	117	
20100500	TREE REMOVAL, ACRES	ACRE	7.5	7.25	0.25	
20200100	EARTH EXCAVATION	CU YD	214782	164126	50656	
20200600	EXCAVATING AND GRADING EXISTING SHOULDER	UNIT	29	21	8	
20400800	FURNISHED EXCAVATION	CU YD	121903	94580	27323	
20700110	POROUS GRANULAR EMBANKMENT	TON	1144	1144		
20700220	POROUS GRANULAR EMBANKMENT	CU YD	1107		1107	
20800150	TRENCH BACKFILL	CU YD	880	325	555	
21101505	TOPSOIL EXCAVATION AND PLACEMENT	CU YD	26911	20387	6524	
21101615	TOPSOIL FURNISH AND PLACE, 4"	SQ YD	3998		3998	
25000200	SEEDING, CLASS 2	ACRE	60	40	20	
25000400	NITROGEN FERTILIZER NUTRIENT	POUND	5366	3597	1769	
25000500	PHOSPHORUS FERTILIZER NUTRIENT	POUND	5366	3597	1769	

SUMMARY OF QUANTITIES			TOTAL QUANTITIES	CONSTRUCTION TYPE CODE		
CODE NO	ITEM	UNIT		URBAN 90% FEDERAL 10% STATE I-57 0004	URBAN 80% FEDERAL 20% STATE IL 16 0004	URBAN 90% FEDERAL 10% STATE I-57 0010
25000600	POTASSIUM FERTILIZER NUTRIENT	POUND	5366	3597	1769	
25000700	AGRICULTURAL GROUND LIMESTONE	TON	119.3	79.9	39.4	
25100115	MULCH, METHOD 2	ACRE	52	32	20	
25100630	EROSION CONTROL BLANKET	SQ YD	30044	30044		
28000250	TEMPORARY EROSION CONTROL SEEDING	POUND	28671	24361	4310	
28000305	TEMPORARY DITCH CHECKS	FOOT	3959	3080	879	
28000400	PERIMETER EROSION BARRIER	FOOT	2143	2143		
28000500	INLET AND PIPE PROTECTION	EACH	48	27	21	
28001100	TEMPORARY EROSION CONTROL BLANKET	SQ YD	30044	30044		
28100105	STONE RIPRAP, CLASS A3	SQ YD	5775	5500	275	
28100107	STONE RIPRAP, CLASS A4	SQ YD	5671	5252	419	
28200200	FILTER FABRIC	SQ YD	11445	10752	693	
31000600	PROCESSING LIME STABILIZED SOIL MIXTURE 12"	SQ YD	74596	44352	30244	
31001500	LIME	TON	1865	1109	756	

* SPECIALTY ITEM

REV - MS

MODEL: SOQ (Sheet)
FILE NAME: c:\pwworking\hrtz\hrtz\hrtz\0852852\0774435-sheets-SOQ.dgn

USER NAME = kaleb.hirtzel	DESIGNED -	REVISED -
	DRAWN -	REVISED -
	CHECKED -	REVISED -
PLOT DATE = 8/16/2024	DATE -	REVISED -

STATE OF ILLINOIS
DEPARTMENT OF TRANSPORTATION

SUMMARY OF QUANTITIES

SCALE: SHEET 1 OF 15 SHEETS STA. TO STA.

F.A.I. RTE.	SECTION	COUNTY	TOTAL SHEETS	SHEET NO.
57	(15-22HB-4)BR (15-22)R	COLES	1086	3
CONTRACT NO. 74435				
ILLINOIS FED. AID PROJECT				

SUMMARY OF QUANTITIES			TOTAL QUANTITIES	CONSTRUCTION TYPE CODE		
CODE NO	ITEM	UNIT		URBAN 90% FEDERAL 10% STATE I-57 0004	URBAN 80% FEDERAL 20% STATE IL 16 0004	URBAN 90% FEDERAL 10% STATE I-57 0010
31101900	SUBBASE GRANULAR MATERIAL, TYPE C	TON	2380	2308	72	
35100100	AGGREGATE BASE COURSE, TYPE A	TON	212		212	
35101100	AGGREGATE BASE COURSE, TYPE A 12"	SQ YD	5141	3162	1979	
35101400	AGGREGATE BASE COURSE, TYPE B	TON	8266	5506	2760	
35501320	HOT-MIX ASPHALT BASE COURSE, 9"	SQ YD	7865	7865		
35501324	HOT-MIX ASPHALT BASE COURSE, 10"	SQ YD	11360	3615	7745	
35501332	HOT-MIX ASPHALT BASE COURSE, 12"	SQ YD	12315	11748	567	
40600290	BITUMINOUS MATERIALS (TACK COAT)	POUND	57125	45081	11644	400
40600370	LONGITUDINAL JOINT SEALANT	FOOT	28010	21351	6659	
40600405	MATERIAL TRANSFER DEVICE	TON	12047	12047		
40600982	HOT-MIX ASPHALT SURFACE REMOVAL - BUTT JOINT	SQ YD	7028	6419	609	
40600990	TEMPORARY RAMP	SQ YD	824		824	
40603090	HOT-MIX ASPHALT BINDER COURSE, IL-19.0, N90	TON	1488	1488		

SUMMARY OF QUANTITIES			TOTAL QUANTITIES	CONSTRUCTION TYPE CODE		
CODE NO	ITEM	UNIT		URBAN 90% FEDERAL 10% STATE I-57 0004	URBAN 80% FEDERAL 20% STATE IL 16 0004	URBAN 90% FEDERAL 10% STATE I-57 0010
40603240	POLYMERIZED HOT-MIX ASPHALT BINDER COURSE, IL-19.0, N90	TON	8141	6451	1690	
40604052	HOT-MIX ASPHALT SURFACE COURSE, IL-9.5, MIX "C", N70	TON	39	39		
40604164	POLYMERIZED HOT-MIX ASPHALT SURFACE COURSE, IL-9.5, MIX "D", N90	TON	2728	596	1932	200
40605034	POLYMERIZED HOT-MIX ASPHALT SURFACE COURSE, STONE MATRIX ASPHALT, 12.5, MIX "E", N80	TON	4313	4313		
40701891	HOT-MIX ASPHALT PAVEMENT (FULL-DEPTH), 10 1/2"	SQ YD	11248	11248		
40702001	HOT-MIX ASPHALT PAVEMENT (FULL-DEPTH), 16"	SQ YD	10791	10791		
40800050	INCIDENTAL HOT-MIX ASPHALT SURFACING	TON	21		21	
42000060	WELDED WIRE REINFORCEMENT	SQ YD	8737	7669	1068	
42000080	PAVEMENT CONNECTOR (PCC) FOR BRIDGE APPROACH SLAB	SQ YD	297			297
42000210	PORTLAND CEMENT CONCRETE PAVEMENT 7 1/2"	SQ YD	2310		2310	
42000400	PORTLAND CEMENT CONCRETE PAVEMENT 9"	SQ YD	3725		3725	

* SPECIALTY ITEM

REV - MS

MODEL: SOQ-1 [Sheet]
FILE NAME: c:\p\work\hrtz\hrtz\k0852852\077435-sheets-SOQ.dgn

USER NAME = kaleb.hirtzel	DESIGNED -	REVISED -
	DRAWN -	REVISED -
	CHECKED -	REVISED -
PLOT DATE = 8/19/2024	DATE -	REVISED -

STATE OF ILLINOIS
DEPARTMENT OF TRANSPORTATION

SUMMARY OF QUANTITIES

SCALE: SHEET 2 OF 15 SHEETS STA. TO STA.

F A I RTE.	SECTION	COUNTY	TOTAL SHEETS	SHEET NO.
57	(15-22HB-4)BR (15-22)R	COLES	1086	4
CONTRACT NO. 74435				
ILLINOIS FED. AID PROJECT				

SUMMARY OF QUANTITIES			TOTAL QUANTITIES	CONSTRUCTION TYPE CODE		
CODE NO	ITEM	UNIT		URBAN 90% FEDERAL 10% STATE I-57 0004	URBAN 80% FEDERAL 20% STATE IL 16 0004	URBAN 90% FEDERAL 10% STATE I-57 0010
4200401	PORTLAND CEMENT CONCRETE PAVEMENT 9' (JOINTED)	SO YD	25527	3267	22260	
4200521	PORTLAND CEMENT CONCRETE PAVEMENT 11' (JOINTED)	SO YD	4814	4814		
4200540	PORTLAND CEMENT CONCRETE PAVEMENT 12'	SO YD	3923	2855	1068	
42001300	PROTECTIVE COAT	SO YD	8539	4814	3725	
42400300	PORTLAND CEMENT CONCRETE SIDEWALK 6 INCH	SO FT	59799		59799	
42400800	DETECTABLE WARNINGS	SO FT	154 .5		154 .5	
4400100	PAVEMENT REMOVAL	SO YD	52737	32156	20581	
4400155	HOT-MIX ASPHALT SURFACE REMOVAL, 1 1/2"	SO YD	49975	24592	25383	
4400157	HOT-MIX ASPHALT SURFACE REMOVAL, 2"	SO YD	1760		1760	
4400500	COMBINATION CURB AND GUTTER REMOVAL	FOOT	25		25	
44004000	PAVED DITCH REMOVAL	FOOT	417	417		
44004250	PAVED SHOULDER REMOVAL	SO YD	70498	55509	14989	
44200610	CLASS A PATCHES, TYPE II, 13 INCH	SO YD	188	188		

SUMMARY OF QUANTITIES			TOTAL QUANTITIES	CONSTRUCTION TYPE CODE		
CODE NO	ITEM	UNIT		URBAN 90% FEDERAL 10% STATE I-57 0004	URBAN 80% FEDERAL 20% STATE IL 16 0004	URBAN 90% FEDERAL 10% STATE I-57 0010
44200612	CLASS A PATCHES, TYPE III, 13 INCH	SO YD	22	22		
44201741	CLASS D PATCHES, TYPE II, 8 INCH	SO YD	100	100		
44201771	CLASS D PATCHES, TYPE IV, 10 INCH	SO YD	437	333	104	
44201789	CLASS D PATCHES, TYPE II, 12 INCH	SO YD	645		645	
44201796	CLASS D PATCHES, TYPE IV, 12 INCH	SO YD	479		479	
44213000	PATCHING REINFORCEMENT	SO YD	210	210		
44213200	SAW CUTS	FOOT	2164	2164		
48101500	AGGREGATE SHOULDERS, TYPE B 6"	SO YD	6003	4738	1265	
48102100	AGGREGATE WEDGE SHOULDER, TYPE B	TON	902	568	334	
48203013	HOT-MIX ASPHALT SHOULDERS, 4"	SO YD	496		496	
48203029	HOT-MIX ASPHALT SHOULDERS, 8"	SO YD	10567	7705	2862	
48203061	HOT-MIX ASPHALT SHOULDERS, 16"	SO YD	11846	11846		
48203100	HOT-MIX ASPHALT SHOULDERS	TON	7349	5514	1835	
48300100	PORTLAND CEMENT CONCRETE SHOULDERS 6"	SO YD	119	30	89	

* SPECIALTY ITEM

REV - MS

MODEL: SOQ_2 [Sheet]
FILE NAME: c:\p\work\hartzel\hartzel\0652852\0774435-sheets-SOQ.dgn

USER NAME = kaleb.hirtzel	DESIGNED -	REVISED -
	DRAWN -	REVISED -
	CHECKED -	REVISED -
PLOT DATE = 7/16/2025	DATE -	REVISED -

STATE OF ILLINOIS
DEPARTMENT OF TRANSPORTATION

SUMMARY OF QUANTITIES

SCALE: SHEET 3 OF 15 SHEETS STA. TO STA.

F A I RTE.	SECTION	COUNTY	TOTAL SHEETS	SHEET NO.
57	(15-22HB-4)BR (15-22)R	COLES	1086	5
CONTRACT NO. 74435				
ILLINOIS FED. AID PROJECT				

SUMMARY OF QUANTITIES			TOTAL QUANTITIES	CONSTRUCTION TYPE CODE		
CODE NO	ITEM	UNIT		URBAN 90% FEDERAL 10% STATE I-57 0004	URBAN 80% FEDERAL 20% STATE IL 16 0004	URBAN 90% FEDERAL 10% STATE I-57 0010
48300300	PORTLAND CEMENT CONCRETE SHOULDERS 8"	SQ YD	2152	298	1854	
48300400	PORTLAND CEMENT CONCRETE SHOULDERS 9"	SQ YD	193		193	
50100100	REMOVAL OF EXISTING STRUCTURES	EACH	2	1	1	
50100300	REMOVAL OF EXISTING STRUCTURES NO. 1	EACH	1			1
50100400	REMOVAL OF EXISTING STRUCTURES NO. 2	EACH	1			1
50100500	REMOVAL OF EXISTING STRUCTURES NO. 3	EACH	1	1		
50100600	REMOVAL OF EXISTING STRUCTURES NO. 4	EACH	1	1		
50104650	SLOPE WALL REMOVAL	SO YD	1477	1477		
50105220	PIPE CULVERT REMOVAL	FOOT	2975	1498	1477	
50157300	PROTECTIVE SHIELD	SQ YD	1710			1710
50200100	STRUCTURE EXCAVATION	CU YD	630			630
50200450	REMOVAL AND DISPOSAL OF UNSUITABLE MATERIAL FOR STRUCTURES	CU YD	1763	1442	321	
50300225	CONCRETE STRUCTURES	CU YD	318.2			318.2

SUMMARY OF QUANTITIES			TOTAL QUANTITIES	CONSTRUCTION TYPE CODE		
CODE NO	ITEM	UNIT		URBAN 90% FEDERAL 10% STATE I-57 0004	URBAN 80% FEDERAL 20% STATE IL 16 0004	URBAN 90% FEDERAL 10% STATE I-57 0010
50300255	CONCRETE SUPERSTRUCTURE	CU YD	659			659
50300300	PROTECTIVE COAT	SQ YD	2688			2688
50301350	CONCRETE SUPERSTRUCTURE (APPROACH SLAB)	CU YD	238.4			238.4
50500105	FURNISHING AND ERECTING STRUCTURAL STEEL	L SUM	1			1
50500505	STUD SHEAR CONNECTORS	EACH	11556			11556
50800105	REINFORCEMENT BARS	POUND	179503	179503		
50800205	REINFORCEMENT BARS, EPOXY COATED	POUND	306760			306760
50800530	MECHANICAL SPLICERS	EACH	120			120
50901720	BICYCLE RAILING	FOOT	179	179		
51100100	SLOPE WALL 4 INCH	SQ YD	1336			1336
51200959	FURNISHING METAL SHELL PILES 14" X 0.312"	FOOT	3609			3609
51202305	DRIVING PILES	FOOT	3609			3609
51203200	TEST PILE METAL SHELLS	EACH	6			6
51500100	NAME PLATES	EACH	3	1		2

* SPECIALTY ITEM

REV - MS

MODEL: SOQ_3 [Sheet]
FILE NAME: c:\p\work\hrtz\hrtz\kld0852852\0774435-sheets-SOQ.dgn

USER NAME = kaleb.hirtzel	DESIGNED -	REVISED -
	DRAWN -	REVISED -
	CHECKED -	REVISED -
PLOT DATE = 7/16/2025	DATE -	REVISED -

STATE OF ILLINOIS
DEPARTMENT OF TRANSPORTATION

SUMMARY OF QUANTITIES

SCALE: SHEET 4 OF 15 SHEETS STA. TO STA.

F.A.I. RTE.	SECTION	COUNTY	TOTAL SHEETS	SHEET NO.
57	(15-22HB-4)BR (15-22)R	COLES	1086	6
CONTRACT NO. 74435				
ILLINOIS FED. AID PROJECT				

SUMMARY OF QUANTITIES			TOTAL QUANTITIES	CONSTRUCTION TYPE CODE		
CODE NO	ITEM	UNIT		URBAN 90% FEDERAL 10% STATE I-57 0004	URBAN 80% FEDERAL 20% STATE IL 16 0004	URBAN 90% FEDERAL 10% STATE I-57 0010
52100010	ELASTOMERIC BEARING ASSEMBLY, TYPE I	EACH	12		12	
52100520	ANCHOR BOLTS, 1"	EACH	48		48	
52100540	ANCHOR BOLTS, 1 1/2"	EACH	24			
52200020	TEMPORARY SOIL RETENTION SYSTEM	SO FT	1049	1049		
54001001	BOX CULVERT END SECTIONS, CULVERT NO. 1	EACH	2	2	24	
54001002	BOX CULVERT END SECTIONS, CULVERT NO. 2	EACH	2	2		
54001003	BOX CULVERT END SECTIONS, CULVERT NO. 3	EACH	2	2		
54002020	EXPANSION BOLTS 3/4 INCH	EACH	56	56		
54003000	CONCRETE BOX CULVERTS	CU YD	951.5	951.5		
54010803	PRECAST CONCRETE BOX CULVERTS 8' X 3'	FOOT	21	21		
54010804	PRECAST CONCRETE BOX CULVERTS 8' X 4'	FOOT	24	24		
54210189	PIPE ELBOW, 24"	EACH	4	4		
54213660	PRECAST REINFORCED CONCRETE FLARED END SECTIONS 15"	EACH	2	1	1	

SUMMARY OF QUANTITIES			TOTAL QUANTITIES	CONSTRUCTION TYPE CODE		
CODE NO	ITEM	UNIT		URBAN 90% FEDERAL 10% STATE I-57 0004	URBAN 80% FEDERAL 20% STATE IL 16 0004	URBAN 90% FEDERAL 10% STATE I-57 0010
54213663	PRECAST REINFORCED CONCRETE FLARED END SECTIONS 18"	EACH	2	2		
54213675	PRECAST REINFORCED CONCRETE FLARED END SECTIONS 30"	EACH	10	8	2	
54213681	PRECAST REINFORCED CONCRETE FLARED END SECTIONS 36"	EACH	4	1	3	
54214500	PRECAST REINFORCED CONCRETE FLARED END SECTIONS, EQUIVALENT ROUND-SIZE 15"	EACH	8	4	4	
54214527	PRECAST REINFORCED CONCRETE FLARED END SECTIONS, EQUIVALENT ROUND-SIZE 42"	EACH	4		4	
54215424	CAST-IN-PLACE REINFORCED CONCRETE END SECTIONS 24"	EACH	1	1		
54216185	REINFORCED CONCRETE PIPE TEE, 15" PIPE WITH 12" RISER	EACH	1	1		
54216555	REINFORCED CONCRETE PIPE TEE, 15" PIPE WITH 15" RISER	EACH	11	2	9	

* SPECIALTY ITEM

REV - MS

MODEL: SOQ_4 [Sheet]
FILE NAME: c:\p\work\pwr\hrtz\hrtz\kld0852852\077435-sheets-SOQ.dgn

USER NAME = kaleb.hirtzel	DESIGNED -	REVISED -
	DRAWN -	REVISED -
	CHECKED -	REVISED -
PLOT DATE = 8/19/2024	DATE -	REVISED -

STATE OF ILLINOIS
DEPARTMENT OF TRANSPORTATION

SUMMARY OF QUANTITIES

SCALE: SHEET 5 OF 15 SHEETS STA. TO STA.

F A I RTE.	SECTION	COUNTY	TOTAL SHEETS	SHEET NO.
57	(15-22HB-4)BR (15-22)R	COLES	1086	7
CONTRACT NO. 74435				
ILLINOIS FED. AID PROJECT				

SUMMARY OF QUANTITIES			TOTAL QUANTITIES	CONSTRUCTION TYPE CODE		
CODE NO	ITEM	UNIT		URBAN 90% FEDERAL 10% STATE I-57 0004	URBAN 80% FEDERAL 20% STATE IL 16 0004	URBAN 90% FEDERAL 10% STATE I-57 0010
5421D015	PIPE CULVERTS, CLASS D, TYPE 1 15" (TEMPORARY)	FOOT	241	241		
5421D018	PIPE CULVERTS, CLASS D, TYPE 1 18" (TEMPORARY)	FOOT	92	92		
5421D036	PIPE CULVERTS, CLASS D, TYPE 1 36" (TEMPORARY)	FOOT	125	125		
5422D015	PIPE CULVERTS, CLASS D, TYPE 2 15" (TEMPORARY)	FOOT	184	184		
5422D024	PIPE CULVERTS, CLASS D, TYPE 2 24" (TEMPORARY)	FOOT	55	55		
54244805	INLET BOX, STANDARD 542501	EACH	3	1	2	
54248510	CONCRETE COLLAR	CU YD	2.5	2.4	0.1	
54260315	TRAVERSABLE PIPE GRATE FOR CONCRETE END SECTION	FOOT	34		34	
542A1069	PIPE CULVERTS, CLASS A, TYPE 2 24"	FOOT	209	209		
542A1075	PIPE CULVERTS, CLASS A, TYPE 2 30"	FOOT	63	63		

SUMMARY OF QUANTITIES			TOTAL QUANTITIES	CONSTRUCTION TYPE CODE		
CODE NO	ITEM	UNIT		URBAN 90% FEDERAL 10% STATE I-57 0004	URBAN 80% FEDERAL 20% STATE IL 16 0004	URBAN 90% FEDERAL 10% STATE I-57 0010
542A1081	PIPE CULVERTS, CLASS A, TYPE 2 36"	FOOT	22	22		
542A5470	PIPE CULVERTS, CLASS A, TYPE 1 EQUIVALENT ROUND-SIZE 15"	FOOT	2220	1114	1106	
542A8227	PIPE CULVERTS, CLASS A, TYPE 2 EQUIVALENT ROUND-SIZE 42"	FOOT	141		141	
542JA036	PIPE CULVERTS, CLASS A 36" (JACKED)	FOOT	300	300		
550A0070	STORM SEWERS, CLASS A, TYPE 1 15"	FOOT	20		20	
550A0160	STORM SEWERS, CLASS A, TYPE 1 36"	FOOT	121		121	
550A0340	STORM SEWERS, CLASS A, TYPE 2 12"	FOOT	264	212	52	
550A0360	STORM SEWERS, CLASS A, TYPE 2 15"	FOOT	3302	890	2412	
550A0380	STORM SEWERS, CLASS A, TYPE 2 18"	FOOT	389	105	284	
550A0430	STORM SEWERS, CLASS A, TYPE 2 30"	FOOT	439	439		
550A0450	STORM SEWERS, CLASS A, TYPE 2 36"	FOOT	164		164	
55100500	STORM SEWER REMOVAL 12"	FOOT	124		124	
55100700	STORM SEWER REMOVAL 15"	FOOT	33		33	

* SPECIALTY ITEM

REV - MS

MODEL: SQ0_5 (Sheet)
FILE NAME: c:\p\work\p\0410\hrtzel\0652852\0774435-sheets-SQ0.dgn

USER NAME	= kaleb.hirtzel	DESIGNED	-	REVISED	-
DRAWN	-	REVISIONS	-	REVISIONS	-
CHECKED	-	REVISIONS	-	REVISIONS	-
PLOT DATE	= 8/19/2024	DATE	-	REVISIONS	-

**STATE OF ILLINOIS
DEPARTMENT OF TRANSPORTATION**

SUMMARY OF QUANTITIES

SCALE: SHEET 6 OF 15 SHEETS STA. TO STA.

F A I RTE.	SECTION	COUNTY	TOTAL SHEETS	SHEET NO.
57	(15-22HB-4)BR (15-22)R	COLES	1086	8
CONTRACT NO. 74435				
ILLINOIS FED. AID PROJECT				

SUMMARY OF QUANTITIES				CONSTRUCTION TYPE CODE		
CODE NO	ITEM	UNIT	TOTAL QUANTITIES	URBAN 90% FEDERAL 10% STATE I-57 0004	URBAN 80% FEDERAL 20% STATE IL 16 0004	URBAN 90% FEDERAL 10% STATE I-57 0010
55101400	STORM SEWER REMOVAL 30"	FOOT	196		196	
55101600	STORM SEWER REMOVAL 36"	FOOT	6		6	
58600101	GRANULAR BACKFILL FOR STRUCTURES	CU YD	340			340
58700300	CONCRETE SEALER	SO FT	2470			2470
59100100	GEOCOMPOSITE WALL DRAIN	SO YD	1973	1433	364	176
59300100	CONTROLLED LOW-STRENGTH MATERIAL	CU YD	133	133		
60100070	SHOULDER REMOVAL AND REPLACEMENT	FOOT	17777	17777		
60108200	PIPE UNDERDRAINS 6" (SPECIAL)	FOOT	1978	1978		
60146304	PIPE UNDERDRAINS FOR STRUCTURES 4"	FOOT	320			320
60146306	PIPE UNDERDRAINS FOR STRUCTURES 6"	FOOT	700	700		
60218300	MANHOLES, TYPE A, 4'-DIAMETER, TYPE 1 FRAME, OPEN LID	EACH	1	1		
60218400	MANHOLES, TYPE A, 4'-DIAMETER, TYPE 1 FRAME, CLOSED LID	EACH	20	9	11	

SUMMARY OF QUANTITIES				CONSTRUCTION TYPE CODE		
CODE NO	ITEM	UNIT	TOTAL QUANTITIES	URBAN 90% FEDERAL 10% STATE I-57 0004	URBAN 80% FEDERAL 20% STATE IL 16 0004	URBAN 90% FEDERAL 10% STATE I-57 0010
60221100	MANHOLES, TYPE A, 5'-DIAMETER, TYPE 1 FRAME, CLOSED LID	EACH	5	2	3	
60221200	MANHOLES, TYPE A, 5'-DIAMETER, TYPE 3 FRAME AND GRATE	EACH	1	1		
60221300	MANHOLES, TYPE A, 5'-DIAMETER, TYPE 4 FRAME AND GRATE	EACH	1	1		
60223800	MANHOLES, TYPE A, 6'-DIAMETER, TYPE 1 FRAME, CLOSED LID	EACH	1	1		
60224445	MANHOLES, TYPE A, 7'-DIAMETER, TYPE 1 FRAME, OPEN LID	EACH	4	2	2	
60224459	MANHOLES, TYPE A, 8'-DIAMETER, TYPE 1 FRAME, CLOSED LID	EACH	1		1	
60234200	INLETS, TYPE A, TYPE 1 FRAME, OPEN LID	EACH	1	1		
60235700	INLETS, TYPE A, TYPE 3 FRAME AND GRATE	EACH	19	4	15	
60235800	INLETS, TYPE A, TYPE 4 FRAME AND GRATE	EACH	13	2	11	
60236200	INLETS, TYPE A, TYPE 8 GRATE	EACH	11	4	7	
60238305	INLETS, TYPE A, WITH MEDIAN INLET (604101)	EACH	2		2	

* SPECIALTY ITEM

REV - MS

MODEL: SOQ_6 (Sheet)
FILE NAME: c:\p\work\17104\h1rtzel\171040852852\0774435-sheets-SOQ.dgn

USER NAME = kaleb.hirtzel	DESIGNED -	REVISED -	STATE OF ILLINOIS DEPARTMENT OF TRANSPORTATION	SUMMARY OF QUANTITIES	F.A.I RTE.	SECTION	COUNTY	TOTAL SHEETS	SHEET NO.	
	DRAWN -	REVISED -			57	(15-22HB-4)BR (15-22)R	COLES	1086	9	
	CHECKED -	REVISED -			CONTRACT NO. 74435					
	DATE -	REVISED -			SCALE:	SHEET 7	OF 15	SHEETS	STA.	TO STA.
PLOT DATE = 8/19/2024					ILLINOIS FED. AID PROJECT					

SUMMARY OF QUANTITIES			TOTAL QUANTITIES	CONSTRUCTION TYPE CODE		
CODE NO	ITEM	UNIT		URBAN 90% FEDERAL 10% STATE I-57 0004	URBAN 80% FEDERAL 20% STATE IL 16 0004	URBAN 90% FEDERAL 10% STATE I-57 0010
60240220	INLETS, TYPE B, TYPE 3 FRAME AND GRATE	EACH	9	5	4	
60240225	INLETS, TYPE B, TYPE 4 FRAME AND GRATE	EACH	7	3	4	
60500040	REMOVING MANHOLES	EACH	3		3	
60500050	REMOVING CATCH BASINS	EACH	3		3	
60500060	REMOVING INLETS	EACH	4		4	
60600605	CONCRETE CURB, TYPE B	FOOT	696		696	
60605000	COMBINATION CONCRETE CURB AND GUTTER, TYPE B-6.24	FOOT	7211	1253	5958	
60618300	CONCRETE MEDIAN SURFACE, 4 INCH	SQ FT	1648		1648	
* 63000001	STEEL PLATE BEAM GUARDRAIL, TYPE A, 6 FOOT POSTS	FOOT	6825	6150	675	
* 63000035	BACK SIDE PROTECTION OF GUARDRAIL	FOOT	149		149	
* 63100045	TRAFFIC BARRIER TERMINAL, TYPE 2	EACH	11	5	6	
* 63100085	TRAFFIC BARRIER TERMINAL, TYPE 6	EACH	14	12	2	

SUMMARY OF QUANTITIES			TOTAL QUANTITIES	CONSTRUCTION TYPE CODE		
CODE NO	ITEM	UNIT		URBAN 90% FEDERAL 10% STATE I-57 0004	URBAN 80% FEDERAL 20% STATE IL 16 0004	URBAN 90% FEDERAL 10% STATE I-57 0010
* 63100167	TRAFFIC BARRIER TERMINAL, TYPE 1 (SPECIAL) TANGENT	EACH	18	10	8	
63200310	GUARDRAIL REMOVAL	FOOT	14750	13229	1521	
63400105	GUARD POSTS	EACH	51	51		
63700805	CONCRETE BARRIER TRANSITION	FOOT	10		10	
63700280	CONCRETE BARRIER, DOUBLE FACE, 44 INCH HEIGHT	FOOT	48		48	
63700900	CONCRETE BARRIER BASE	FOOT	58		58	
63800920	MODULAR GLARE SCREEN SYSTEM, TEMPORARY	FOOT	29863	26063	3800	
64200108	SHOULDER RUMBLE STRIPS, 8 INCH	FOOT	17471	6001	11470	
64200116	SHOULDER RUMBLE STRIPS, 16 INCH	FOOT	26480	26480		
66500105	WOVEN WIRE FENCE, 4'	FOOT	3343	2828	515	
66600105	FURNISHING AND ERECTING RIGHT OF WAY MARKERS	EACH	19	9	10	
66700305	PERMANENT SURVEY MARKERS, TYPE II	EACH	2	2		
* 66900200	NON-SPECIAL WASTE DISPOSAL	CU YD	11250	11250		
* 66900530	SOIL DISPOSAL ANALYSIS	EACH	2	2		
* 66901001	REGULATED SUBSTANCES PRE-CONSTRUCTION PLAN	L SUM	1	1		

* SPECIALTY ITEM

REV - MS

MODEL: SOQ_7 [Sheet]
FILE NAME: c:\p\work\hrtz\hrtz\kld0652852\077435-sheets-SOQ.dgn

USER NAME = kaleb.hirtzel	DESIGNED -	REVISED -
	DRAWN -	REVISED -
	CHECKED -	REVISED -
PLOT DATE = 8/19/2024	DATE -	REVISED -

STATE OF ILLINOIS
DEPARTMENT OF TRANSPORTATION

SUMMARY OF QUANTITIES

SCALE: SHEET 8 OF 15 SHEETS STA. TO STA.

F A I RTE.	SECTION	COUNTY	TOTAL SHEETS	SHEET NO.
57	(15-22HB-4)BR (15-22)R	COLES	1086	10
CONTRACT NO. 74435				
ILLINOIS FED. AID PROJECT				

SUMMARY OF QUANTITIES			TOTAL QUANTITIES	CONSTRUCTION TYPE CODE		
CODE NO	ITEM	UNIT		URBAN 90% FEDERAL 10% STATE I-57 0004	URBAN 80% FEDERAL 20% STATE IL 16 0004	URBAN 90% FEDERAL 10% STATE I-57 0010
* 66901003	REGULATED SUBSTANCES FINAL CONSTRUCTION REPORT	L SUM	1	1		
* 66901006	REGULATED SUBSTANCES MONITORING	CAL DA	58	58		
67000400	ENGINEER'S FIELD OFFICE, TYPE A	CAL MO	48	32	16	
67100100	MOBILIZATION	L SUM	1	0.67	0.33	
70100205	TRAFFIC CONTROL AND PROTECTION, STANDARD 701401	EACH	5	5		
70100207	TRAFFIC CONTROL AND PROTECTION, STANDARD 701402	EACH	2	2		
70100310	TRAFFIC CONTROL AND PROTECTION, STANDARD 701421	L SUM	1		1	
70100315	TRAFFIC CONTROL AND PROTECTION, STANDARD 701422	EACH	11		11	
70100325	TRAFFIC CONTROL AND PROTECTION, STANDARD 701423	EACH	3		3	
70100420	TRAFFIC CONTROL AND PROTECTION, STANDARD 701411	EACH	4	4		

SUMMARY OF QUANTITIES			TOTAL QUANTITIES	CONSTRUCTION TYPE CODE		
CODE NO	ITEM	UNIT		URBAN 90% FEDERAL 10% STATE I-57 0004	URBAN 80% FEDERAL 20% STATE IL 16 0004	URBAN 90% FEDERAL 10% STATE I-57 0010
70100700	TRAFFIC CONTROL AND PROTECTION, STANDARD 701406	L SUM	1	1		
70100820	TRAFFIC CONTROL AND PROTECTION, STANDARD 701451	L SUM	1	1		
70100825	TRAFFIC CONTROL AND PROTECTION, STANDARD 701456	L SUM	1	1		
70102642	TRAFFIC CONTROL AND PROTECTION, STANDARD 701801	EACH	2	1	1	
70103815	TRAFFIC CONTROL SURVEILLANCE	CAL DA	90	60	30	
70107005	PAVEMENT MARKING BLACKOUT TAPE, 5"	FOOT	5505	977	4528	
70107007	PAVEMENT MARKING BLACKOUT TAPE, 7"	FOOT	1178	1178		
70107025	CHANGEABLE MESSAGE SIGN	CAL DA	234	206	28	
70300100	SHORT TERM PAVEMENT MARKING	FOOT	2118	998	1120	
70300150	SHORT TERM PAVEMENT MARKING REMOVAL	SQ FT	12087	5345	6742	
70300211	TEMPORARY PAVEMENT MARKING LETTERS AND SYMBOLS - PAINT	SQ FT	1723	459	1264	

* SPECIALTY ITEM

REV - MS

MODEL: SOQ_8 [Sheet]
FILE NAME: c:\p\work\pav\hrtz\hrtz\kld0852852\0774435-sheets-SOQ.dgn

USER NAME = kaleb.hirtzel	DESIGNED -	REVISED -
	DRAWN -	REVISED -
	CHECKED -	REVISED -
PLOT DATE = 8/19/2024	DATE -	REVISED -

STATE OF ILLINOIS
DEPARTMENT OF TRANSPORTATION

SUMMARY OF QUANTITIES

SCALE: SHEET 9 OF 15 SHEETS STA. TO STA.

F A I RTE.	SECTION	COUNTY	TOTAL SHEETS	SHEET NO.
57	(15-22HB-4)BR (15-22)R	COLES	1086	11
CONTRACT NO. 74435				
ILLINOIS FED. AID PROJECT				

SUMMARY OF QUANTITIES			TOTAL QUANTITIES	CONSTRUCTION TYPE CODE		
CODE NO	ITEM	UNIT		URBAN 90% FEDERAL 10% STATE I-57 0004	URBAN 80% FEDERAL 20% STATE IL 16 0004	URBAN 90% FEDERAL 10% STATE I-57 0010
70300241	TEMPORARY PAVEMENT MARKING - LINE 6"- PAINT	FOOT	130472	109156	21316	
70300251	TEMPORARY PAVEMENT MARKING - LINE 8"- PAINT	FOOT	15978	12872	3106	
70300261	TEMPORARY PAVEMENT MARKING - LINE 12"- PAINT	FOOT	896	258	638	
70307100	TEMPORARY PAVEMENT MARKING LETTERS AND SYMBOLS - TYPE IV TAPE	SO FT	1172	268	904	
70307130	TEMPORARY PAVEMENT MARKING - LINE 6" - TYPE IV TAPE	FOOT	12478	5764	6714	
70307210	TEMPORARY PAVEMENT MARKING - LINE 24"- TYPE IV TAPE	FOOT	495	147	348	
70400100	TEMPORARY CONCRETE BARRIER	FOOT	32537.5	27175	5362.5	
70400125	PINNING TEMPORARY CONCRETE BARRIER	EACH	93	21	72	
70400200	RELOCATE TEMPORARY CONCRETE BARRIER	FOOT	5312.5	812.5	4500	
70500100	TEMPORARY STEEL PLATE BEAM GUARDRAIL, TYPE A	FOOT	1149	1074	75	
70500615	TEMPORARY TRAFFIC BARRIER TERMINAL, TYPE 1	EACH	7	6	1	
70500625	TEMPORARY TRAFFIC BARRIER TERMINAL, TYPE 2	EACH	2	1	1	

SUMMARY OF QUANTITIES			TOTAL QUANTITIES	CONSTRUCTION TYPE CODE		
CODE NO	ITEM	UNIT		URBAN 90% FEDERAL 10% STATE I-57 0004	URBAN 80% FEDERAL 20% STATE IL 16 0004	URBAN 90% FEDERAL 10% STATE I-57 0010
70500665	TEMPORARY TRAFFIC BARRIER TERMINAL, TYPE 6	EACH	6	6		
70600260	IMPACT ATTENUATORS, TEMPORARY (FULLY REDIRECTIVE, NARROW), TEST LEVEL 3	EACH	10	4	6	
70600332	IMPACT ATTENUATORS, RELOCATE (FULLY REDIRECTIVE, NARROW), TEST LEVEL 3	EACH	5	2	3	
* 72000100	SIGN PANEL - TYPE 1	SO FT	1315	645	670	
* 72000200	SIGN PANEL - TYPE 2	SO FT	820	388	432	
* 72000300	SIGN PANEL - TYPE 3	SO FT	5487	4692	795	
* 72400100	REMOVE SIGN PANEL ASSEMBLY - TYPE A	EACH	1		1	
* 72400200	REMOVE SIGN PANEL ASSEMBLY - TYPE B	EACH	21	10	11	
* 72400310	REMOVE SIGN PANEL - TYPE 1	SO FT	943	868	75	
* 72400320	REMOVE SIGN PANEL - TYPE 2	SO FT	692	392	300	
* 72400330	REMOVE SIGN PANEL - TYPE 3	SO FT	4223	3778	445	
* 72501000	TERMINAL MARKER - DIRECT APPLIED	EACH	25	15	10	
* 72600100	MILE POST MARKER ASSEMBLY	EACH	2	2		

* SPECIALTY ITEM

REV - MS

MODEL: SOQ_9 [Sheet]
FILE NAME: c:\p\work\hartzel\hartzel\0652852\0774435-sheets-SOQ.dgn

USER NAME = kaleb.hirtzel	DESIGNED -	REVISED -
	DRAWN -	REVISED -
	CHECKED -	REVISED -
PLOT DATE = 8/19/2024	DATE -	REVISED -

STATE OF ILLINOIS
DEPARTMENT OF TRANSPORTATION

SUMMARY OF QUANTITIES

SCALE: SHEET 10 OF 15 SHEETS STA. TO STA.

F A I RTE.	SECTION	COUNTY	TOTAL SHEETS	SHEET NO.
57	(15-22HB-4)BR (15-22)R	COLES	1086	12
CONTRACT NO. 74435				
ILLINOIS FED. AID PROJECT				

SUMMARY OF QUANTITIES			TOTAL QUANTITIES	CONSTRUCTION TYPE CODE		
CODE NO	ITEM	UNIT		URBAN 90% FEDERAL 10% STATE I-57 0004	URBAN 80% FEDERAL 20% STATE IL 16 0004	URBAN 90% FEDERAL 10% STATE I-57 0010
* 72700100	STRUCTURAL STEEL SIGN SUPPORT - BREAKAWAY	POUND	38375	35576	2799	
* 72800100	TELESCOPING STEEL SIGN SUPPORT	FOOT	155	80	75	
* 73000100	WOOD SIGN SUPPORT	FOOT	2000	927	1073	
* 73300100	OVERHEAD SIGN STRUCTURE - SPAN, TYPE I-A (4'-0" X 4'-6")	FOOT	120		120	
* 73400100	CONCRETE FOUNDATIONS	CU YD	81	75	6	
* 73400200	DRILLED SHAFT CONCRETE FOUNDATIONS	CU YD	23.4		23.4	
73600100	REMOVE OVERHEAD SIGN STRUCTURE - SPAN	EACH	4	2	2	
73600200	REMOVE OVERHEAD SIGN STRUCTURE - CANTILEVER	EACH	2	2		
73602000	REMOVE OVERHEAD SIGN STRUCTURE - BRIDGE MOUNTED	EACH	1		1	
73700100	REMOVE GROUND MOUNTED SIGN SUPPORT	EACH	30	27	3	
73700200	REMOVE CONCRETE FOUNDATION - GROUND MOUNT	EACH	67	61	6	
73700300	REMOVE CONCRETE FOUNDATION - OVERHEAD	EACH	18	10	8	
* 78004630	PREFORMED PLASTIC PAVEMENT MARKING, TYPE D - STANDARD - LINE 6"	FOOT	45537	45537		

SUMMARY OF QUANTITIES			TOTAL QUANTITIES	CONSTRUCTION TYPE CODE		
CODE NO	ITEM	UNIT		URBAN 90% FEDERAL 10% STATE I-57 0004	URBAN 80% FEDERAL 20% STATE IL 16 0004	URBAN 90% FEDERAL 10% STATE I-57 0010
* 78004640	PREFORMED PLASTIC PAVEMENT MARKING, TYPE D - STANDARD - LINE 8"	FOOT	3154	3154		
* 78009000	MODIFIED URETHANE PAVEMENT MARKING - LETTERS AND SYMBOLS	SQ FT	1616	487	1129	
* 78009006	MODIFIED URETHANE PAVEMENT MARKING - LINE 6"	FOOT	21647	114	21533	
* 78009008	MODIFIED URETHANE PAVEMENT MARKING - LINE 8"	FOOT	4658	1680	2978	
* 78009012	MODIFIED URETHANE PAVEMENT MARKING - LINE 12"	FOOT	1045	538	507	
* 78011000	GROOVING FOR RECESSED PAVEMENT MARKING, LETTERS AND SYMBOLS	SQ FT	1560	487	1073	
* 78011035	GROOVING FOR RECESSED PAVEMENT MARKING 7"	FOOT	67184	45651	21533	
* 78011045	GROOVING FOR RECESSED PAVEMENT MARKING 9"	FOOT	7811	4834	2977	
* 78011065	GROOVING FOR RECESSED PAVEMENT MARKING 13"	FOOT	1025	538	487	
* 78100100	RAISED REFLECTIVE PAVEMENT MARKER	EACH	478	381	97	
* 78200005	GUARDRAIL REFLECTORS, TYPE A	EACH	162	126	36	
78300200	RAISED REFLECTIVE PAVEMENT MARKER REMOVAL	EACH	521	381	140	

* SPECIALTY ITEM

REV - MS

MODEL: SOQ_10 (Sheet)
 FILE NAME: c:\pwworking\hrtz\hrtz\0652852\0774435-sheets-SOQ.dgn

USER NAME = kaleb.hirtzel	DESIGNED -	REVISED -
	DRAWN -	REVISED -
	CHECKED -	REVISED -
PLOT DATE = 8/19/2024	DATE -	REVISED -

**STATE OF ILLINOIS
DEPARTMENT OF TRANSPORTATION**

SUMMARY OF QUANTITIES

SCALE: SHEET 11 OF 15 SHEETS STA. TO STA.

F.A.I. RTE.	SECTION	COUNTY	TOTAL SHEETS	SHEET NO.
57	(15-22HB-4)BR (15-22)R	COLES	1086	13
CONTRACT NO. 74435				
ILLINOIS FED. AID PROJECT				

SUMMARY OF QUANTITIES			TOTAL QUANTITIES	CONSTRUCTION TYPE CODE		
CODE NO	ITEM	UNIT		URBAN 90% FEDERAL 10% STATE I-57 0004	URBAN 80% FEDERAL 20% STATE IL 16 0004	URBAN 90% FEDERAL 10% STATE I-57 0010
78300202	PAVEMENT MARKING REMOVAL - WATER BLASTING	SQ FT	3979	3439	540	
* 80400100	ELECTRIC SERVICE INSTALLATION	EACH	2	2		
* 81028340	UNDERGROUND CONDUIT, PVC, 1 1/2" DIA.	FOOT	83	83		
* 81028350	UNDERGROUND CONDUIT, PVC, 2" DIA.	FOOT	1450	1450		
* 81028750	UNDERGROUND CONDUIT, COILABLE NONMETALLIC CONDUIT, 2" DIA.	FOOT	780	780		
* 81100300	CONDUIT ATTACHED TO STRUCTURE, 1" DIA., GALVANIZED STEEL	FOOT	52	52		
* 81100454	CONDUIT ATTACHED TO STRUCTURE, 1" DIA., STAINLESS STEEL	FOOT	245	245		
* 81200210	CONDUIT EMBEDDED IN STRUCTURE, 1" DIA., PVC	FOOT	20	20		
* 81300420	JUNCTION BOX, STAINLESS STEEL, ATTACHED TO STRUCTURE, 10" X 8" X 6"	EACH	2	2		
* 81603034	UNIT DUCT, 600V, 2-1C NO.6, 1/C NO.6 GROUND, (XLP-TYPE USE), 3/4" DIA. POLYETHYLENE	FOOT	14236	14236		
* 81603096	UNIT DUCT, 600V, 4-1C NO.8, 1/C NO.8 GROUND, (XLP-TYPE USE), 1 1/4" DIA. POLYETHYLENE	FOOT	75	75		

SUMMARY OF QUANTITIES			TOTAL QUANTITIES	CONSTRUCTION TYPE CODE		
CODE NO	ITEM	UNIT		URBAN 90% FEDERAL 10% STATE I-57 0004	URBAN 80% FEDERAL 20% STATE IL 16 0004	URBAN 90% FEDERAL 10% STATE I-57 0010
* 81702120	ELECTRIC CABLE IN CONDUIT, 600V (XLP-TYPE USE) 1/C NO. 8	FOOT	1265	1265		
* 81702130	ELECTRIC CABLE IN CONDUIT, 600V (XLP-TYPE USE) 1/C NO. 6	FOOT	2400	2400		
* 82110008	LUMINAIRE, LED, ROADWAY, OUTPUT DESIGNATION H	EACH	48	48		
* 82110022	LUMINAIRE, LED, UNDERPASS, WALLMOUNT, OUTPUT DESIGNATION E	EACH	9	9		
* 82500300	LIGHTING CONTROLLER, POLE MOUNTED, 240VOLT, 30AMP	EACH	1	1		
* 82500330	LIGHTING CONTROLLER, PEDESTAL MOUNTED, 240VOLT, 60AMP	EACH	1	1		
* 83003600	LIGHT POLE, ALUMINUM, 45 FT. M.H., 15 FT. DAVIT ARM	EACH	48	48		
* 83060840	LIGHT POLE, GALVANIZED STEEL, 50 FT. M.H., TENON MOUNT	EACH	1	1		
* 83600356	LIGHT POLE FOUNDATION, METAL, 15" BOLT CIRCLE, 8 5/8" X 6'	EACH	48	48		

* SPECIALTY ITEM

REV - MS

MODEL: SOQ-11 (Sheet)
FILE NAME: c:\pwworking\hrtzalkid0852857\0774435-sheets-SOQ.dgn

USER NAME = kaleb.hirtzel	DESIGNED -	REVISED -
	DRAWN -	REVISED -
	CHECKED -	REVISED -
PLOT DATE = 8/19/2024	DATE -	REVISED -

STATE OF ILLINOIS
DEPARTMENT OF TRANSPORTATION

SUMMARY OF QUANTITIES

SCALE: SHEET 12 OF 15 SHEETS STA. TO STA.

FAI RTE.	SECTION	COUNTY	TOTAL SHEETS	SHEET NO.
57	(15-22HB-4)BR (15-22)R	COLES	1086	14
CONTRACT NO. 74435				
ILLINOIS FED. AID PROJECT				

SUMMARY OF QUANTITIES			TOTAL QUANTITIES	CONSTRUCTION TYPE CODE		
CODE NO	ITEM	UNIT		URBAN 90% FEDERAL 10% STATE I-57 0004	URBAN 80% FEDERAL 20% STATE IL 16 0004	URBAN 90% FEDERAL 10% STATE I-57 0010
* 83600358	LIGHT POLE FOUNDATION, METAL, 15" BOLT CIRCLE, 8 5/8" X 8'	EACH	1	1		
* 83800650	BREAKAWAY DEVICE, COUPLING WITH STAINLESS STEEL SCREEN	EACH	192	192		
84100110	REMOVAL OF TEMPORARY LIGHTING UNIT	EACH	5	5		
84200605	REMOVAL OF LIGHTING TOWER, NO SALVAGE	EACH	2	2		
84500110	REMOVAL OF LIGHTING CONTROLLER	EACH	1	1		
84500120	REMOVAL OF ELECTRIC SERVICE INSTALLATION	EACH	1	1		
84500130	REMOVAL OF LIGHTING CONTROLLER FOUNDATION	EACH	1	1		
* 87301225	ELECTRIC CABLE IN CONDUIT, SIGNAL NO. 14 3C	FOOT	145	145		
* 87301900	ELECTRIC CABLE IN CONDUIT, EQUIPMENT GROUNDING CONDUCTOR, NO. 6 1C	FOOT	145	145		
* 87601100	PEDESTRIAN PUSH-BUTTON POST, GALVANIZED STEEL, TYPE I	EACH	4	4	2	
89000100	TEMPORARY TRAFFIC SIGNAL INSTALLATION	EACH	2			
89502300	REMOVE ELECTRIC CABLE FROM CONDUIT	FOOT	22080	22080		

SUMMARY OF QUANTITIES			TOTAL QUANTITIES	CONSTRUCTION TYPE CODE		
CODE NO	ITEM	UNIT		URBAN 90% FEDERAL 10% STATE I-57 0004	URBAN 80% FEDERAL 20% STATE IL 16 0004	URBAN 90% FEDERAL 10% STATE I-57 0010
X0322278	RODENT SHIELDS	EACH	79	79		
* X0324597	CLOSED CIRCUIT TELEVISION CABINET	EACH	1	1		
* X0326812	CAT 5 ETHERNET CABLE	FOOT	40	40		
* X0326905	CLOSED CIRCUIT TELEVISION DOME CAMERA, IP BASED	EACH	1	1		
X0327613	REMOVE EXISTING WEATHER STATION	L SUM	1	1		
X1200107	PIPE UNDERDRAINS 6" (MODIFIED)	FOOT	34439	34439		
* X1400326	RECTANGULAR RAPID FLASHING BEACON ASSEMBLY (COMPLETE)	EACH	4	4		
X2600002	RECOVERABLE DELINEATORS	EACH	62	62		
X4200469	STAMPED COLORED PORTLAND CEMENT CONCRETE PAVEMENT 9" (JOINTED)	SQ YD	1601		1601	
X4400102	SURFACE REMOVAL, VARIABLE DEPTH (SPECIAL)	SQ YD	244		244	
X4401198	HOT-MIX ASPHALT SURFACE REMOVAL, VARIABLE DEPTH	SQ YD	24296	24296		
X5010205	REMOVAL OF EXISTING STRUCTURE (SPECIAL)	EACH	1	1		

* SPECIALTY ITEM

REV - MS

MODEL: SOQ12(Sheet)
FILE NAME: c:\p\work\pwrtd\hrtzel\0652852\0774435-sheets-SOQ.dgn

USER NAME = kaleb.hirtzel	DESIGNED -	REVISED -
	DRAWN -	REVISED -
	CHECKED -	REVISED -
PLOT DATE = 7/16/2025	DATE -	REVISED -

STATE OF ILLINOIS
DEPARTMENT OF TRANSPORTATION

SUMMARY OF QUANTITIES

SCALE: SHEET 13 OF 15 SHEETS STA. TO STA.

FAI RTE.	SECTION	COUNTY	TOTAL SHEETS	SHEET NO.
57	(15-22HB-4)BR (15-22)R	COLES	1086	15
CONTRACT NO. 74435				
ILLINOIS FED. AID PROJECT				

SUMMARY OF QUANTITIES			TOTAL QUANTITIES	CONSTRUCTION TYPE CODE		
CODE NO	ITEM	UNIT		URBAN 90% FEDERAL 10% STATE I-57 0004	URBAN 80% FEDERAL 20% STATE IL 16 0004	URBAN 90% FEDERAL 10% STATE I-57 0010
X7800700	PREFORMED THERMOPLASTIC PAVEMENT MARKING SHIELD	EACH	2		2	
X7810400	TEMPORARY RAISED PAVEMENT MARKER	EACH	644	344	300	
X8420506	REMOVAL OF EXISTING SIGN LIGHTING UNIT WITH NO SALVAGE	EACH	19	19		
X8420510	REMOVAL OF TOWER FOUNDATION	EACH	6	6		
* X8710029	FIBER OPTIC CABLE 24 FIBERS, SINGLE MODE	FOOT	1640	1640		
* X8710302	FIBER OPTIC CABLE SPLICE	EACH	1	1		
* X8710318	FIBER OPTIC UTILITY MARKER	EACH	1	1		
Z0004552	APPROACH SLAB REMOVAL	SO YD	1568	1568		
Z0013798	CONSTRUCTION LAYOUT	L SUM	1	0.5	0.5	
Z0016001	DECK SLAB REPAIR (FULL DEPTH, TYPE I)	SO YD	20		20	
Z0016002	DECK SLAB REPAIR (FULL DEPTH, TYPE II)	SO YD	20		20	
Z0016200	DECK SLAB REPAIR (PARTIAL)	SO YD	110		110	
Z0029090	DIAMOND GRINDING (BRIDGE SECTION)	SO YD	3616		3616	

SUMMARY OF QUANTITIES			TOTAL QUANTITIES	CONSTRUCTION TYPE CODE		
CODE NO	ITEM	UNIT		URBAN 90% FEDERAL 10% STATE I-57 0004	URBAN 80% FEDERAL 20% STATE IL 16 0004	URBAN 90% FEDERAL 10% STATE I-57 0010
* Z0033052	COMMUNICATIONS VAULT	EACH	1	1		
Z0049799	PROTECTING OR RESETTING SURVEY MARKERS	EACH	4		4	
* Z0054402	ROCK FILL - REPLACEMENT	CU YD	929	929		
* Z0054505	ROCK FILL - REPLACEMENT	TON	165		165	
Z0065752	SLOTTED DRAIN 12" WITH 6" SLOT	FOOT	256	256		
Z0076600	TRAINEES	HOUR	1500	1500		
Z0076604	TRAINEES TRAINING PROGRAM GRADUATE	HOUR	1500	1500		

* SPECIALTY ITEM

Ø 0042

REV - MS

MODEL: SOQ_14 (Sheet)
FILE NAME: c:\pwworking\dwg\14435-sheets-SOQ.dgn

USER NAME = kaleb.hirtzel	DESIGNED -	REVISED -
	DRAWN -	REVISED -
	CHECKED -	REVISED -
PLOT DATE = 8/12/2025	DATE -	REVISED -

STATE OF ILLINOIS
DEPARTMENT OF TRANSPORTATION

SUMMARY OF QUANTITIES

SCALE: SHEET 15 OF 15 SHEETS STA. TO STA.

F A I RTE.	SECTION	COUNTY	TOTAL SHEETS	SHEET NO.
57	(15-22HB-4)BR (15-22)R	COLES	1086	17
CONTRACT NO. 74435				
ILLINOIS FED. AID PROJECT				

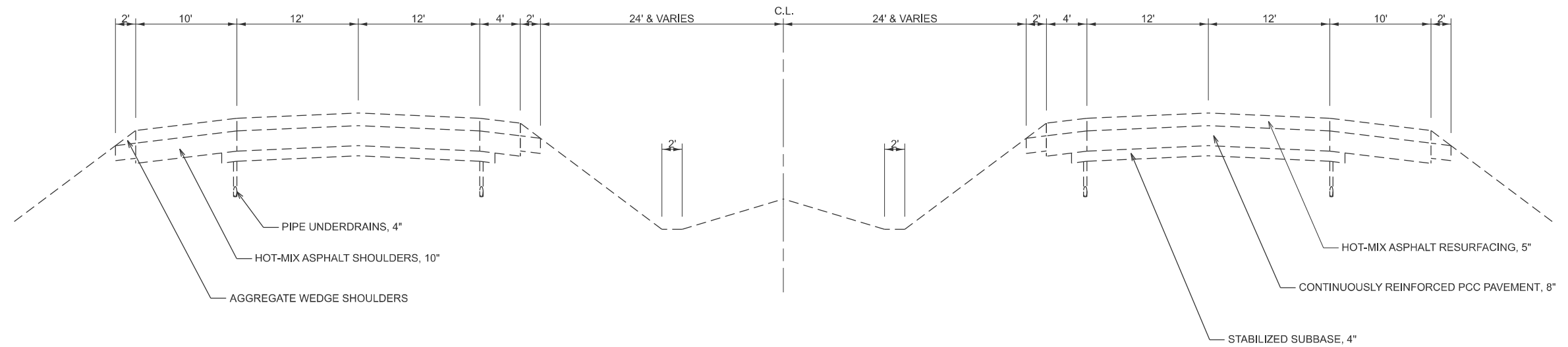
I-57 EXISTING TYPICAL CROSS SECTION

SOUTHBOUND

STA. 760+60 - STA. 801+74.5
STA. 820+20 - STA. 839+40

NORTHBOUND

STA. 760+60 - STA. 801+80.5
STA. 820+24 - STA. 833+60.5
STA. 839+12 - STA. 840+69



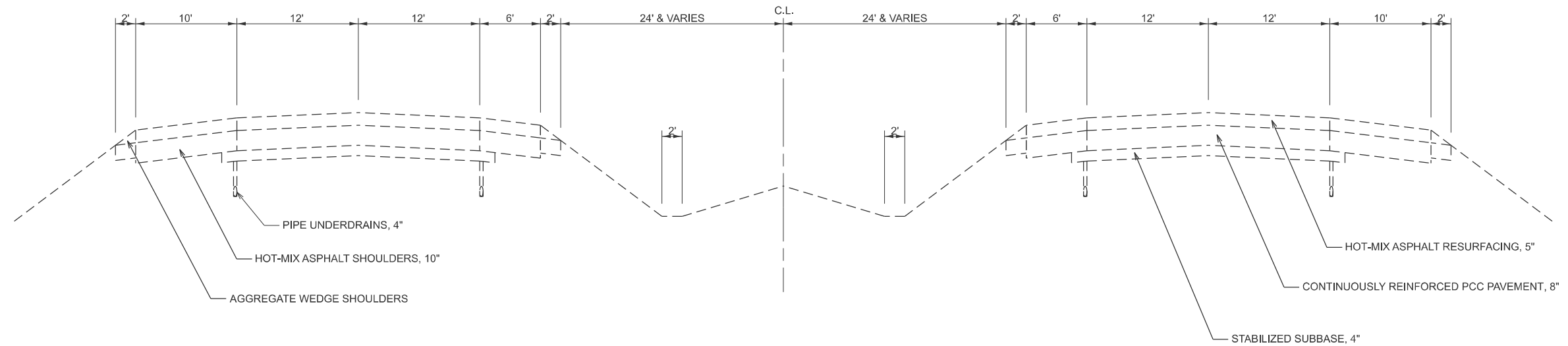
I-57 EXISTING TYPICAL CROSS SECTION

SOUTHBOUND

STA. 801+74.5 - STA. 820+20

NORTHBOUND

STA. 801+80.5 - STA. 820+24



MODEL: Existing Typical Sections (Sheet)
FILE NAME: c:\p\work\wvt\hrtz\1435\sheet\TypicalSections.dgn

USER NAME = kaleb.hirtzel	DESIGNED -	REVISED -
	DRAWN -	REVISED -
PLOT SCALE = \$SCALE\$	CHECKED -	REVISED -
PLOT DATE = 8/16/2024	DATE -	REVISED -

**STATE OF ILLINOIS
DEPARTMENT OF TRANSPORTATION**

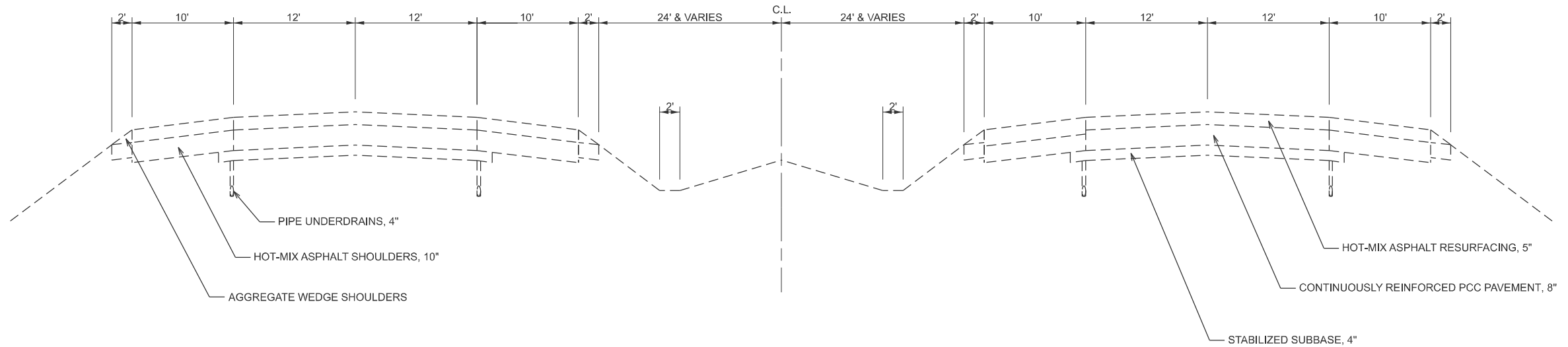
EXISTING TYPICAL SECTIONS

SCALE: 1"=50' SHEET 1 OF 3 SHEETS STA. TO STA.

F.A.I RTE.	SECTION	COUNTY	TOTAL SHEETS	SHEET NO.
57	(15-22HB-4)BR (15-22)R	COLES	1086	18
CONTRACT NO. 74435				
ILLINOIS FED. AID PROJECT				

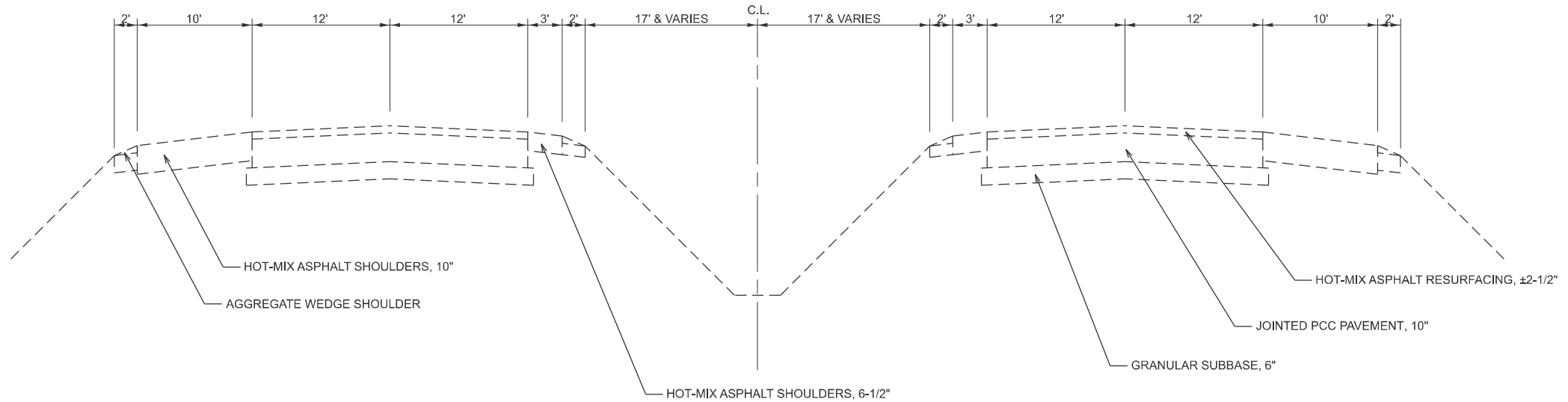
I-57 EXISTING TYPICAL CROSS SECTION

SOUTHBOUND NORTHBOUND
 STA. 839+40 - STA. 840+69 STA. 833+60.5 - STA. 839+12



IL 16 EXISTING TYPICAL CROSS SECTION

WESTBOUND EASTBOUND
 STA. 93+65 - STA. 128+61.97 STA. 93+65 - STA. 128+61.97
 STA. 128+61.97 BK = STA. 128+00 AH STA. 128+61.97 BK = STA. 128+00 AH
 STA. 128+00 - STA. 147+95 STA. 128+00 - STA. 147+95



MODEL: Existing Typical=1 [Sheet]
 FILE NAME: c:\p\work\hrtz\hrtz\kld0852852\074435-sheets-TypicalSections.dgn

USER NAME = kaleb.hirtzel	DESIGNED -	REVISED -	
	DRAWN -	REVISED -	
PLOT SCALE = \$SCALE\$	CHECKED -	REVISED -	
PLOT DATE = 8/19/2024	DATE -	REVISED -	

**STATE OF ILLINOIS
DEPARTMENT OF TRANSPORTATION**

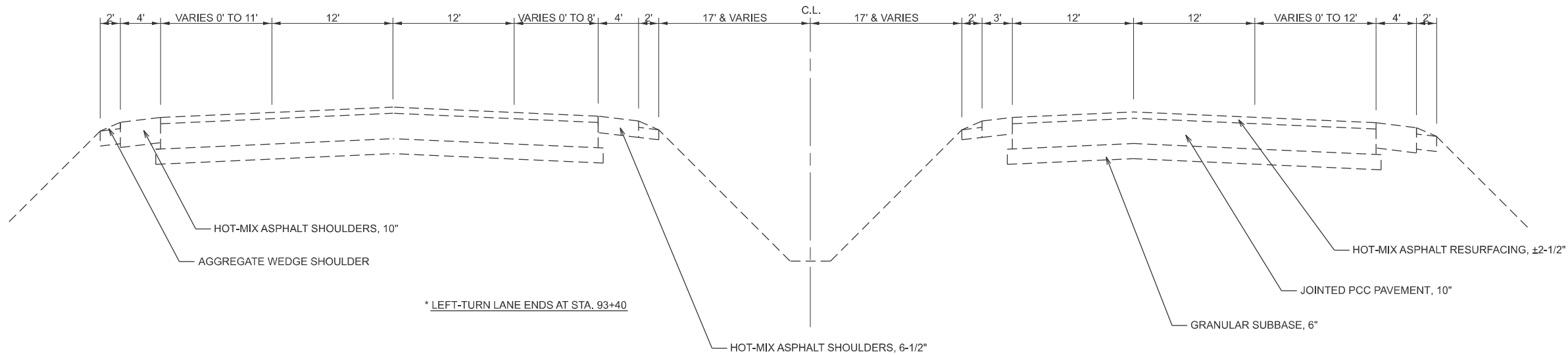
EXISTING TYPICAL SECTIONS

SCALE: 1"=50' SHEET 2 OF 3 SHEETS STA. TO STA.

F.A.I RTE.	SECTION	COUNTY	TOTAL SHEETS	SHEET NO.
57	(15-22HB-4)BR (15-22)R	COLES	1086	19
CONTRACT NO. 74435				
ILLINOIS FED. AID PROJECT				

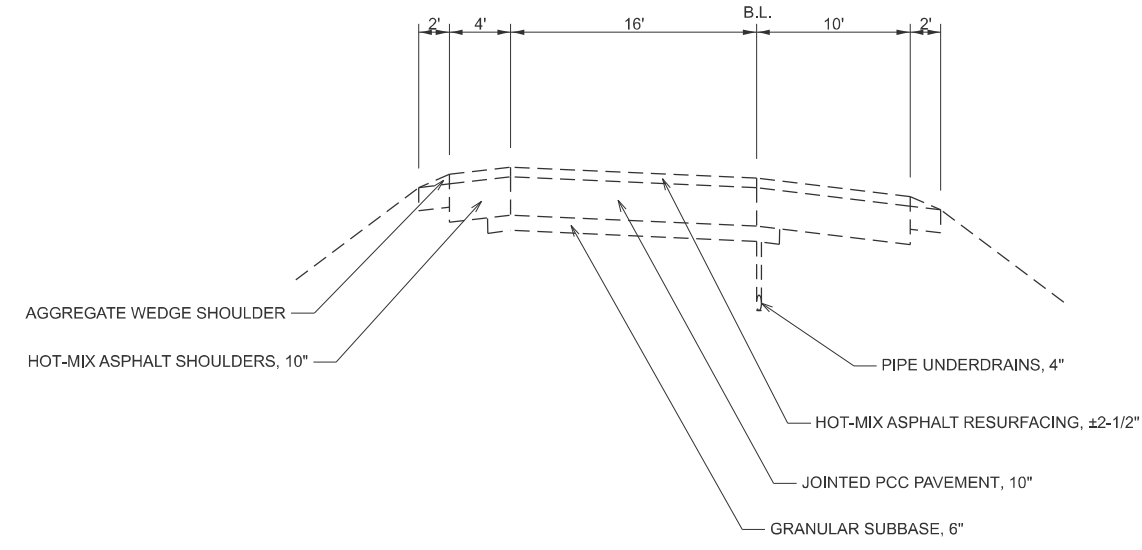
IL 16 EXISTING TYPICAL CROSS SECTION

WESTBOUND
STA. 91+75 - STA. 93+65*
EASTBOUND
STA. 139+82.1 - STA. 144+17.3



INTERCHANGE RAMP EXISTING TYPICAL CROSS SECTION

EXISTING RAMPS A, B, C, D, E, F, G & H



MODEL: Existing Typical=2 (Sheet)
 FILE NAME: c:\p\work\hrtz\hrtz\kld0852852\074435-sheets-TypicalSections.dgn

USER NAME = kaleb.hirtzel	DESIGNED -	REVISED -	
	DRAWN -	REVISED -	
PLOT SCALE = \$SCALE\$	CHECKED -	REVISED -	
PLOT DATE = 8/19/2024	DATE -	REVISED -	

**STATE OF ILLINOIS
DEPARTMENT OF TRANSPORTATION**

EXISTING TYPICAL SECTIONS

SCALE: 1"=50' SHEET 3 OF 3 SHEETS STA. TO STA.

F.A.I RTE.	SECTION	COUNTY	TOTAL SHEETS	SHEET NO.
57	(15-22HB-4)BR (15-22)R	COLES	1086	20
CONTRACT NO. 74435				
ILLINOIS FED. AID PROJECT				

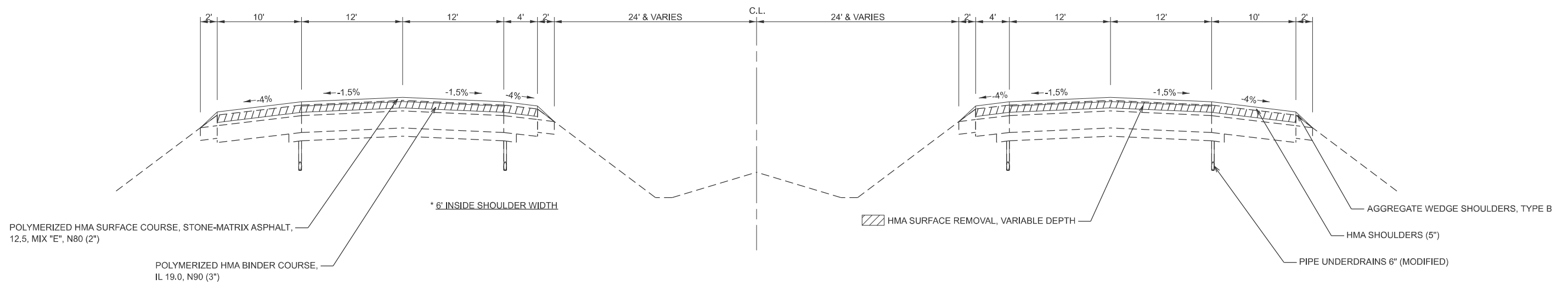
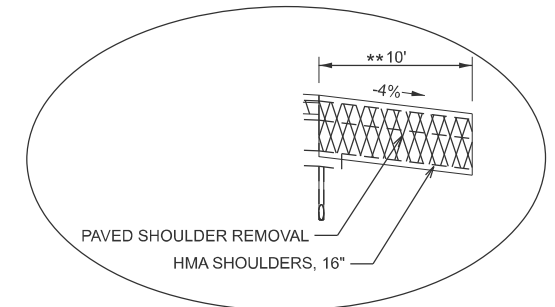
① I-57 PROPOSED TYPICAL CROSS SECTION

SOUTHBOUND

STA. 760+60 - STA. 779+35.9 ③
 ⑧ STA. 802+85 - STA. 805+64* ⑨

NORTHBOUND

STA. 760+60 - STA. 778+17.86
 STA. 778+17.86 - STA. 778+48.3** ②
 ② STA. 798+90.4 - STA. 800+74.1 ⑥
 ⑨ STA. 810+53.6 - STA. 813+79.64
 STA. 813+79.64 - STA. 815+88.05 ⑩ (BRIDGE OMISSION)



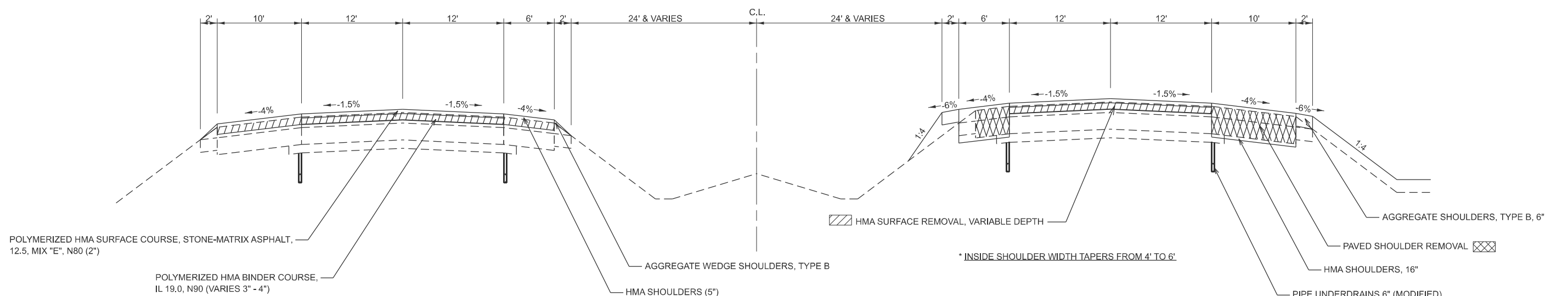
② I-57 PROPOSED TYPICAL CROSS SECTION

SOUTHBOUND

⑨ STA. 810+96 - STA. 812+39.46 ⑩

NORTHBOUND

① STA. 778+48.3 - STA. 779+28.3* ③
 ③ STA. 798+52.77 - STA. 798+90.4 ①



MODEL: Proposed Typical Sections (Sheet)
 FILE NAME: c:\pwworking\hartzel\152852\152852.dwg

USER NAME = kaleb.hirtzel	DESIGNED -	REVISED -
PLOT SCALE = \$SSCALE\$	DRAWN -	REVISED -
PLOT DATE = 8/19/2024	CHECKED -	REVISED -
	DATE -	REVISED -

**STATE OF ILLINOIS
 DEPARTMENT OF TRANSPORTATION**

PROPOSED TYPICAL SECTIONS			
SCALE: 1"=50'	SHEET 1	OF 12 SHEETS	STA. TO STA.

F.A.I. RTE.	SECTION	COUNTY	TOTAL SHEETS	SHEET NO.
57	(15-22HB-4)BR (15-22)R	COLES	1086	21
CONTRACT NO. 74435				
ILLINOIS FED. AID PROJECT				

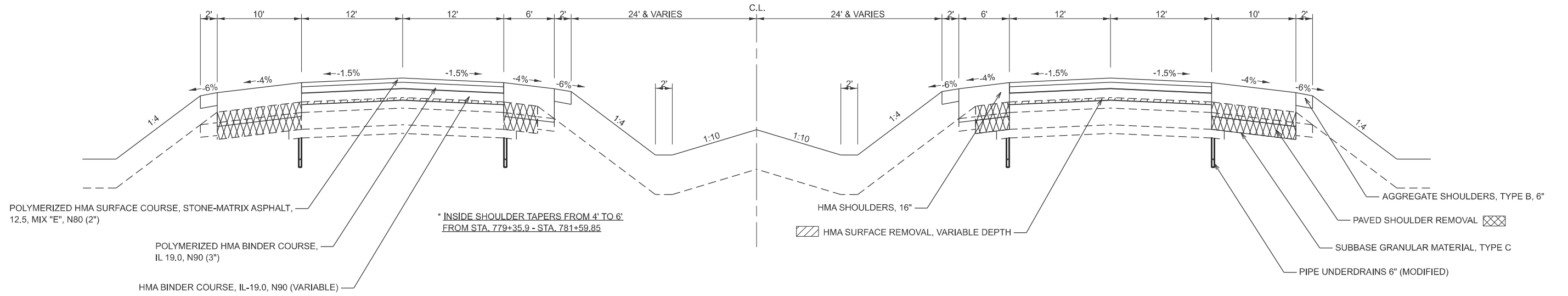
③ I-57 PROPOSED TYPICAL CROSS SECTION

SOUTHBOUND

NORTHBOUND

① STA. 779+35.9 - STA. 781+59.85* ④
④ STA. 795+57.47 - STA. 799+41.48 ⑥

② STA. 779+28.3 - STA. 781+35 ④
④ STA. 795+68 - STA. 798+52.77 ②



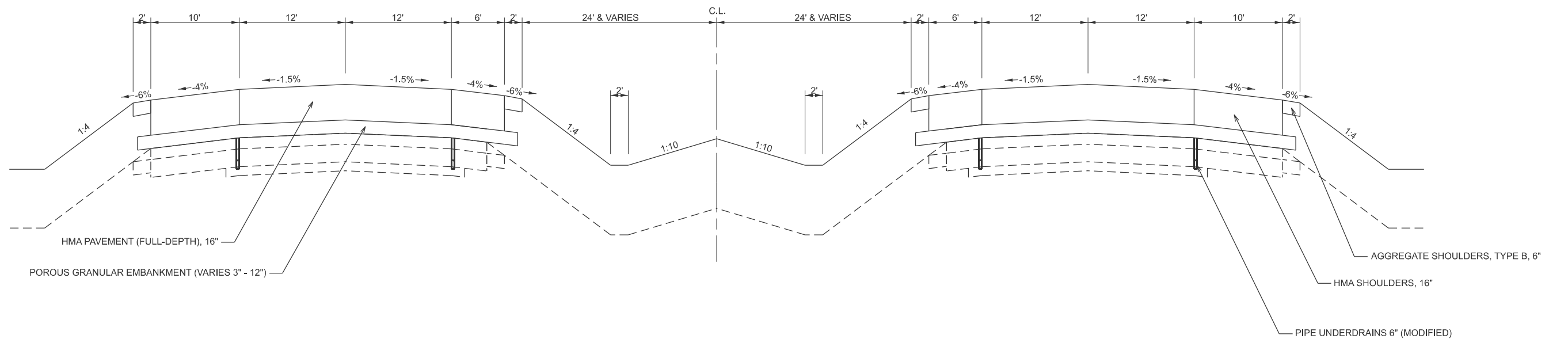
④ I-57 PROPOSED TYPICAL CROSS SECTION

SOUTHBOUND

NORTHBOUND

③ STA. 781+59.85 - STA. 782+67.06 ⑤
⑤ STA. 793+98 - STA. 795+57.47 ③

③ STA. 781+35 - STA. 782+43 ⑤
⑤ STA. 794+22.3 - STA. 795+68 ③



MODEL: Proposed Typical-1 [Sheet]
FILE NAME: c:\pwworking\hartzel\10852852\0774435-sheets-TypicalSections.dgn

USER NAME = kaleb.hirtzel	DESIGNED -	REVISED -
	DRAWN -	REVISED -
PLOT SCALE = \$SCALE\$	CHECKED -	REVISED -
PLOT DATE = 8/19/2024	DATE -	REVISED -

STATE OF ILLINOIS
DEPARTMENT OF TRANSPORTATION

PROPOSED TYPICAL SECTIONS

SCALE: 1"=50' SHEET 2 OF 12 SHEETS STA. TO STA.

F.A.I RTE.	SECTION	COUNTY	TOTAL SHEETS	SHEET NO.
57	(15-22HB-4)BR (15-22)R	COLES	1086	22
CONTRACT NO. 74435				
ILLINOIS FED. AID PROJECT				

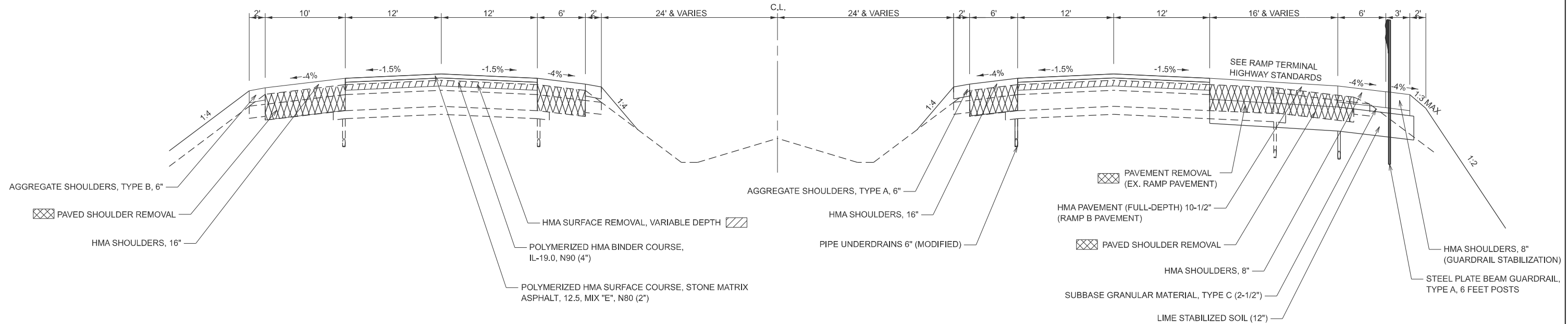
7 I-57 PROPOSED TYPICAL CROSS SECTION

SOUTHBOUND

NORTHBOUND

⑥ STA. 801+28.9 - STA. 801+75.29 ⑧

⑥ STA. 801+36 - STA. 801+80.5 ⑧



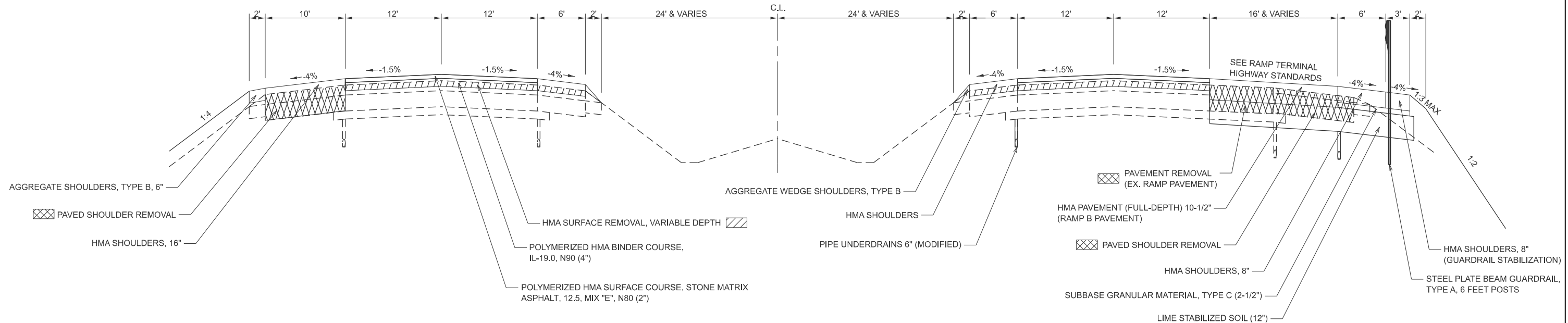
8 I-57 PROPOSED TYPICAL CROSS SECTION

SOUTHBOUND

NORTHBOUND

⑦ STA. 801+72.29 - STA. 802+85 ①

⑦ STA. 801+80.5 - STA. 803+87.7 ⑨



MODEL: Proposed Typical-3 (Sheet)
FILE NAME: c:\pwworking\hartzel\10852852\0774435-sheets-TypicalSections.dgn

USER NAME = kaleb.hirtzel	DESIGNED -	REVISED -
	DRAWN -	REVISED -
PLOT SCALE = \$SCALE\$	CHECKED -	REVISED -
PLOT DATE = 8/19/2024	DATE -	REVISED -

**STATE OF ILLINOIS
DEPARTMENT OF TRANSPORTATION**

PROPOSED TYPICAL SECTIONS

SCALE: 1"=50' SHEET 4 OF 12 SHEETS STA. TO STA.

F.A.I RTE.	SECTION	COUNTY	TOTAL SHEETS	SHEET NO.
57	(15-22HB-4)BR (15-22)R	COLES	1086	24
CONTRACT NO. 74435				
ILLINOIS FED. AID PROJECT				

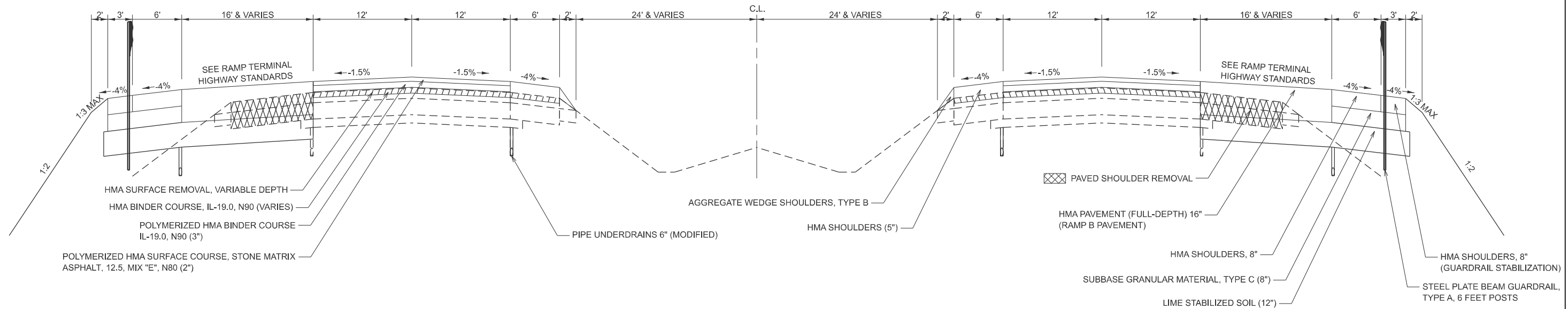
9 I-57 PROPOSED TYPICAL CROSS SECTION

SOUTHBOUND

NORTHBOUND

- ① STA. 805+64 - STA. 807+06
- ② STA. 809+42 - STA. 810+96

- ③ STA. 803+87.7 - STA. 807+17
- ④ STA. 809+53 - STA. 810+53.6



HMA SURFACE REMOVAL, VARIABLE DEPTH
 HMA BINDER COURSE, IL-19.0, N90 (VARIES)
 POLYMERIZED HMA BINDER COURSE
 IL-19.0, N90 (3")
 POLYMERIZED HMA SURFACE COURSE, STONE MATRIX
 ASPHALT, 12.5, MIX "E", N80 (2")

PIPE UNDERDRAINS 6" (MODIFIED)

AGGREGATE WEDGE SHOULDERS, TYPE B

HMA SHOULDERS (5")

PAVED SHOULDER REMOVAL

HMA PAVEMENT (FULL-DEPTH) 16"
 (RAMP B PAVEMENT)

HMA SHOULDERS, 8"

SUBBASE GRANULAR MATERIAL, TYPE C (8")

LIME STABILIZED SOIL (12")

HMA SHOULDERS, 8"
 (GUARDRAIL STABILIZATION)

STEEL PLATE BEAM GUARDRAIL,
 TYPE A, 6 FEET POSTS

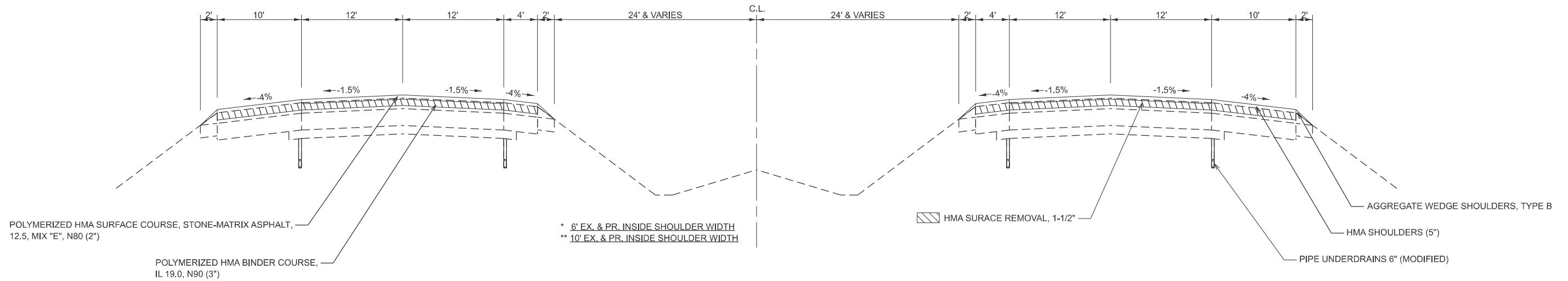
10 I-57 PROPOSED TYPICAL CROSS SECTION

SOUTHBOUND

NORTHBOUND

- (BRIDGE OMISSION)
- ② STA. 812+39.46 - STA. 813+79.46*
 - STA. 813+79.46 - STA. 815+87.97
 - STA. 815+87.97 - STA. 820+20*
 - STA. 820+20 - STA. 839+40
 - STA. 839+40 - STA. 840+69**

- ① STA. 815+88.05 - STA. 820+24.4*
- STA. 820+24.4 - STA. 833+60.5
- STA. 833+60.5 - STA. 839+12**
- STA. 839+12 - STA. 840+69



POLYMERIZED HMA SURFACE COURSE, STONE-MATRIX ASPHALT,
 12.5, MIX "E", N80 (2")

POLYMERIZED HMA BINDER COURSE,
 IL 19.0, N90 (3")

* 6' EX. & PR. INSIDE SHOULDER WIDTH
 ** 10' EX. & PR. INSIDE SHOULDER WIDTH

HMA SURFACE REMOVAL, 1-1/2"

AGGREGATE WEDGE SHOULDERS, TYPE B

HMA SHOULDERS (5")

PIPE UNDERDRAINS 6" (MODIFIED)

MODEL: Proposed Typical-4 (Sheet)
 FILE NAME: c:\p\work\hrtz\hrtz\140852852\0774435-sheets-TypicalSections.dgn

USER NAME = kaleb.hirtzel	DESIGNED -	REVISED -
PLOT SCALE = \$SCALE\$	DRAWN -	REVISED -
PLOT DATE = 8/19/2024	CHECKED -	REVISED -
	DATE -	REVISED -

**STATE OF ILLINOIS
 DEPARTMENT OF TRANSPORTATION**

PROPOSED TYPICAL SECTIONS

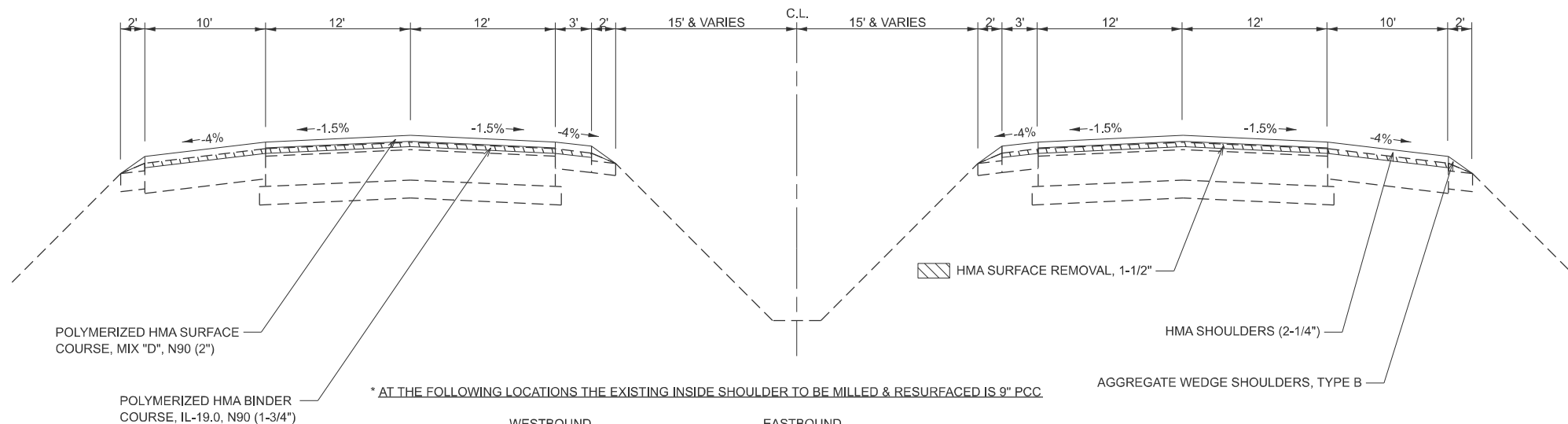
SCALE: 1"=50' SHEET 5 OF 12 SHEETS STA. TO STA.

F.A.I RTE.	SECTION	COUNTY	TOTAL SHEETS	SHEET NO.
57	(15-22HB-4)BR (15-22)R	COLES	1086	25
CONTRACT NO. 74435				
ILLINOIS FED. AID PROJECT				

11 IL 16 PROPOSED TYPICAL CROSS SECTION

WESTBOUND
 STA. 93+65 - STA. 94+46.5* ⑬
 ⑬ STA. 132+82.4 - STA. 137+75*

EASTBOUND
 STA. 91+75 - STA. 95+96* ⑬
 ⑬ STA. 99+64 - STA. 102+06* ⑭
 ⑬ STA. 135+93.5 - STA. 139+82.1* ⑫



* AT THE FOLLOWING LOCATIONS THE EXISTING INSIDE SHOULDER TO BE MILLED & RESURFACED IS 9" PCC.

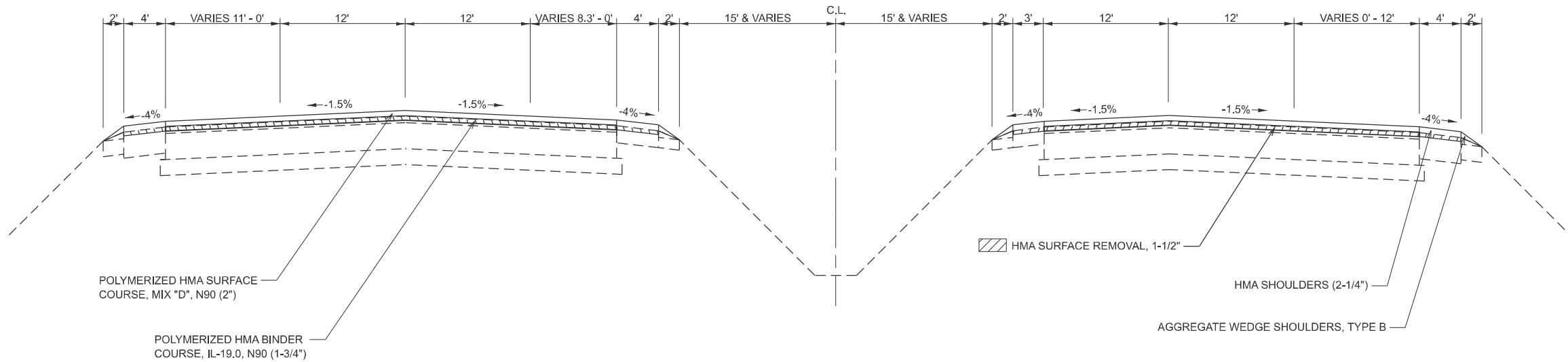
WESTBOUND
 STA. 94+00 - STA. 94+46.5
 STA. 132+82.9 - STA. 137+75

EASTBOUND
 STA. 94+00 - STA. 95+96
 STA. 99+64 - STA. 102+00
 STA. 135+93.5 - STA. 137+75

12 IL 16 PROPOSED TYPICAL CROSS SECTION

WESTBOUND
 STA. 91+75 - STA. 93+65 ⑪

EASTBOUND
 ⑪ STA. 139+82.1 - STA. 144+17.3



MODEL: Proposed Typical-5 (Sheet)
 FILE NAME: c:\pwworking\kaleb.hirtzel\10852852\174435-sheets-TypicalSections.dgn

USER NAME = kaleb.hirtzel	DESIGNED -	REVISED -
	DRAWN -	REVISED -
PLOT SCALE = \$SCALE\$	CHECKED -	REVISED -
PLOT DATE = 8/19/2024	DATE -	REVISED -

**STATE OF ILLINOIS
 DEPARTMENT OF TRANSPORTATION**

PROPOSED TYPICAL SECTIONS

SCALE: 1"=50' SHEET 6 OF 12 SHEETS STA. TO STA.

F.A.I RTE.	SECTION	COUNTY	TOTAL SHEETS	SHEET NO.
57	(15-22HB-4)BR (15-22)R	COLES	1086	26
CONTRACT NO. 74435				
ILLINOIS FED. AID PROJECT				

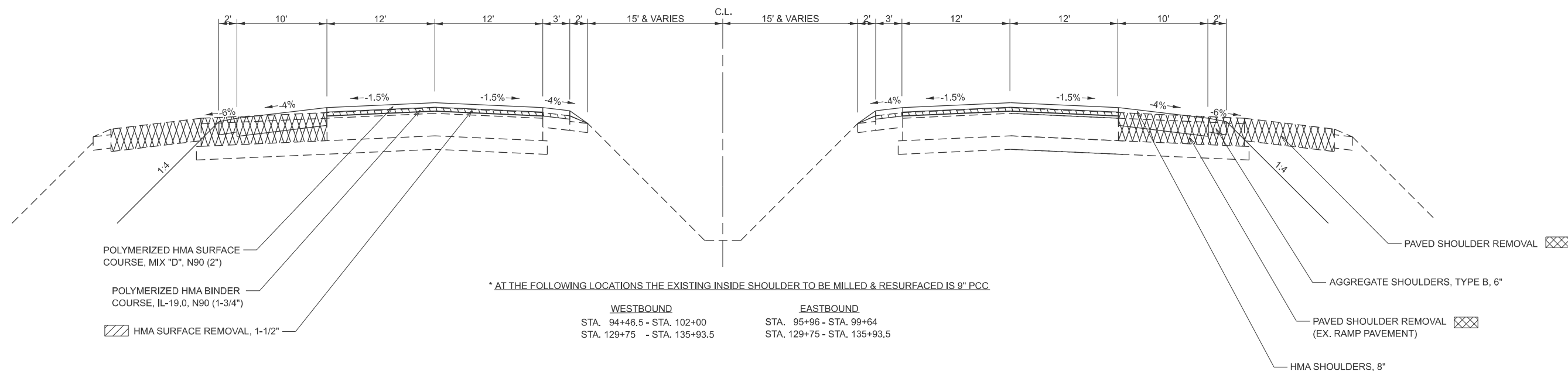
13 IL 16 PROPOSED TYPICAL CROSS SECTION

WESTBOUND

EASTBOUND

11 STA. 94+46.5 - STA. 102+63.4* 14
 14 STA. 128+33.3 - STA. 128+61.97
 STA. 128+61.97 BK = STA. 128+00 AH
 STA. 128+00 - STA. 132+82.9* 11

11 STA. 95+96 - STA. 99+64* 11
 14 STA. 127+76 - STA. 128+61.97
 STA. 128+61.97 BK = STA. 128+00 AH
 STA. 128+00 - STA. 135+93.5* 11



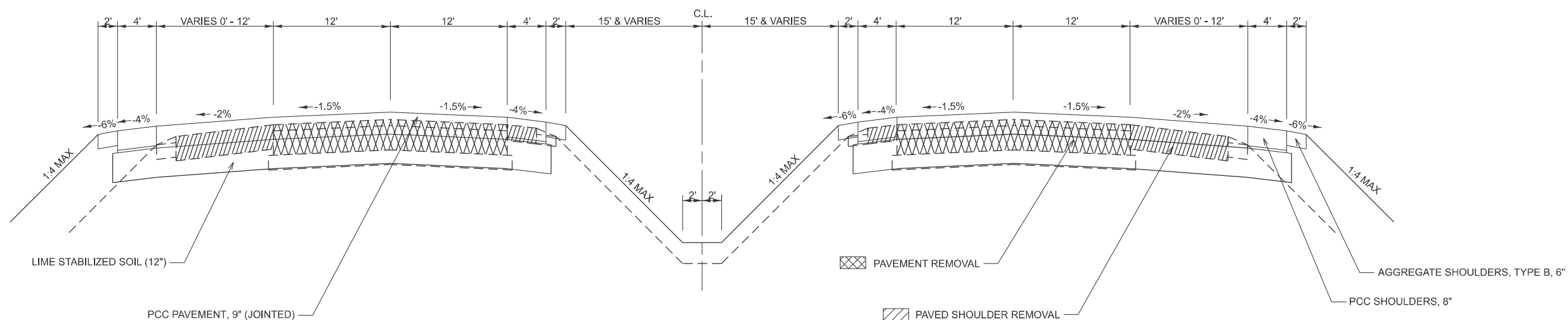
14 IL 16 PROPOSED TYPICAL CROSS SECTION

WESTBOUND

EASTBOUND

13 STA. 102+63.4 - STA. 108+13.3 15
 15 STA. 126+13.3 - STA. 128+33.3 13

11 STA. 102+06 - STA. 104+26 15
 15 STA. 122+26 - STA. 127+76 13



MODEL: Proposed Typical-6 (Sheet)
 FILE NAME: c:\p\work\hartzel\140852852\074435-sheets-TypicalSections.dgn

USER NAME = kaleb.hirtzel	DESIGNED -	REVISED -
	DRAWN -	REVISED -
PLOT SCALE = \$SCALE\$	CHECKED -	REVISED -
PLOT DATE = 8/19/2024	DATE -	REVISED -

STATE OF ILLINOIS
 DEPARTMENT OF TRANSPORTATION

PROPOSED TYPICAL SECTIONS

SCALE: 1"=50' SHEET 7 OF 12 SHEETS STA. TO STA.

F.A.I RTE.	SECTION	COUNTY	TOTAL SHEETS	SHEET NO.
57	(15-22HB-4)BR (15-22)R	COLES	1086	27
CONTRACT NO. 74435				
ILLINOIS FED. AID PROJECT				

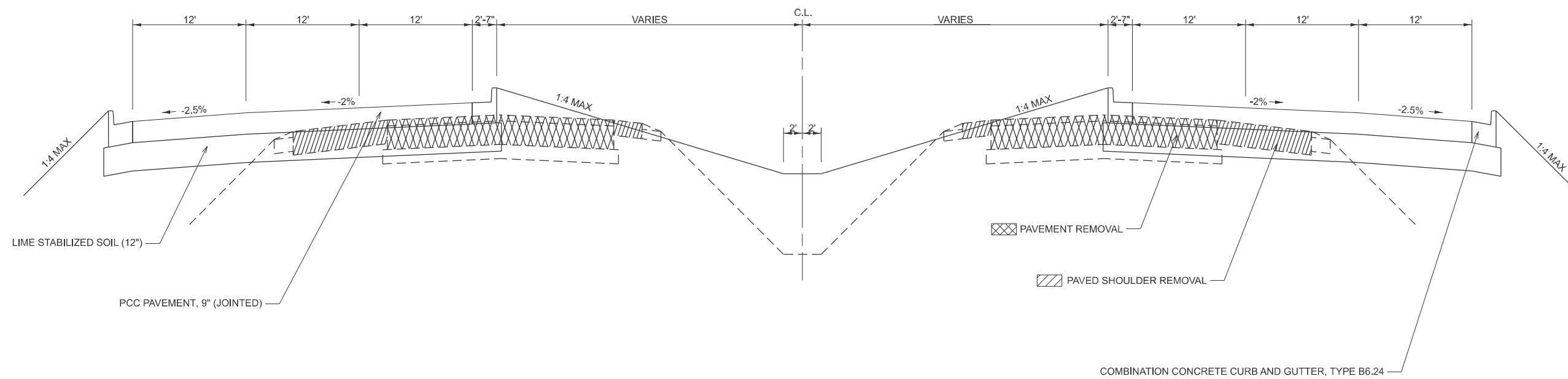
15 IL 16 PROPOSED TYPICAL CROSS SECTION

WESTBOUND

EASTBOUND

14 STA. 108+13.3 - STA. 111+14 16
16 STA. 119+24 - STA. 126+13.3 14

14 STA. 104+26 - STA. 111+15 16
16 STA. 119+25 - STA. 122+26 14



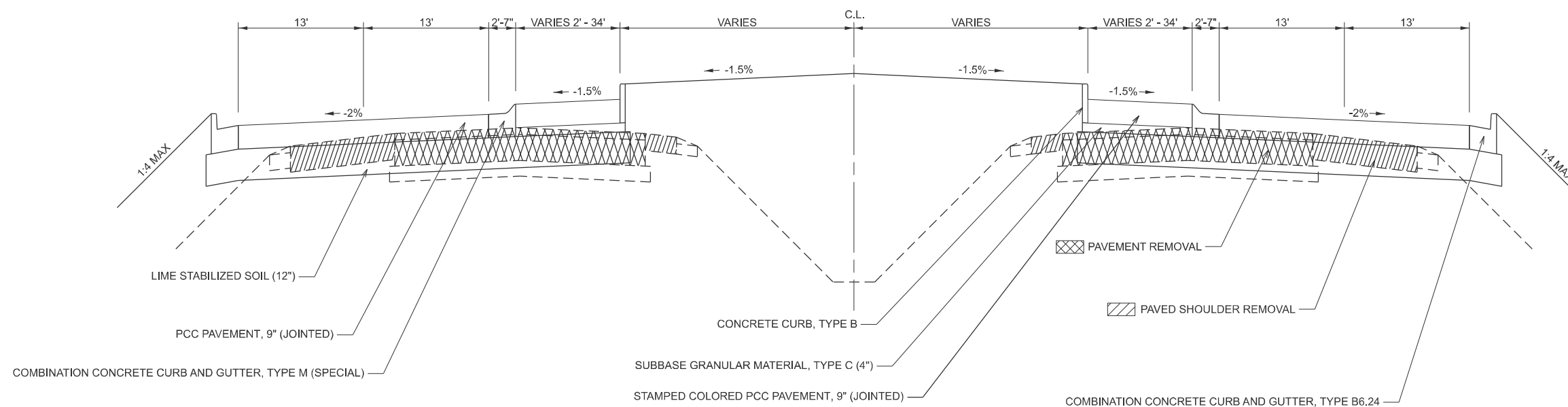
16 IL 16 PROPOSED TYPICAL CROSS SECTION

WESTBOUND

EASTBOUND

15 STA. 111+14 - STA. 112+70 17
17 STA. 117+22 - STA. 119+24 15

15 STA. 111+15 - STA. 113+17 17
17 STA. 117+69 - STA. 119+25 15



MODEL: Proposed Typical-7 (Sheet)
FILE NAME: c:\p\work\hartzel\hartzel\15-2852\15-2852-sheets-TypicalSections.dgn

USER NAME = kaleb.hirtzel	DESIGNED -	REVISED -
	DRAWN -	REVISED -
PLOT SCALE = \$SCALE\$	CHECKED -	REVISED -
PLOT DATE = 8/19/2024	DATE -	REVISED -

STATE OF ILLINOIS
DEPARTMENT OF TRANSPORTATION

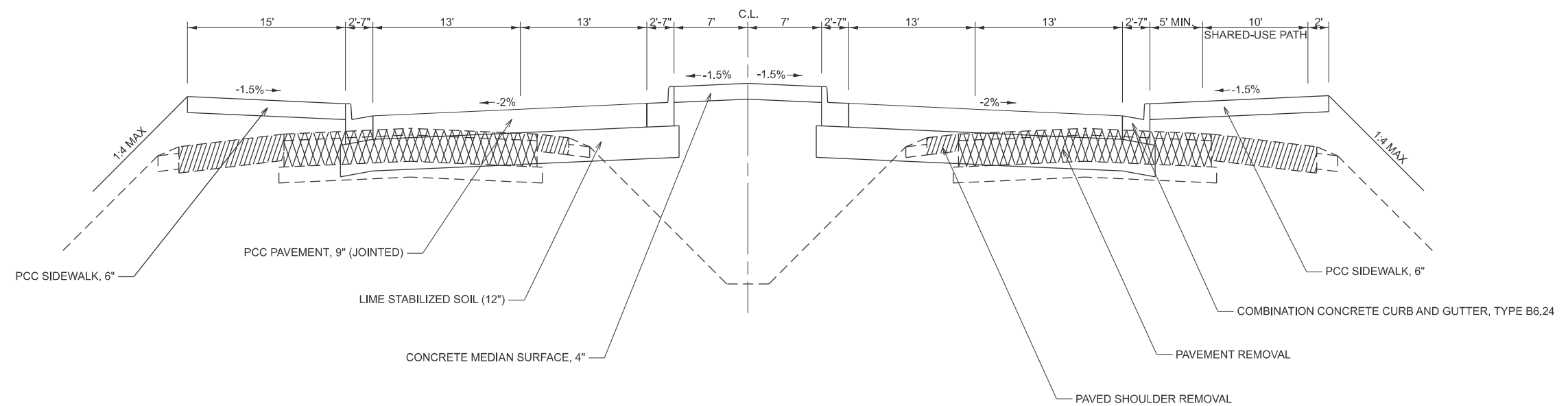
PROPOSED TYPICAL SECTIONS

SCALE: 1"=50' SHEET 8 OF 12 SHEETS STA. TO STA.

F.A.I RTE.	SECTION	COUNTY	TOTAL SHEETS	SHEET NO.
57	(15-22HB-4)BR (15-22)R	COLES	1086	28
CONTRACT NO. 74435				
ILLINOIS FED. AID PROJECT				

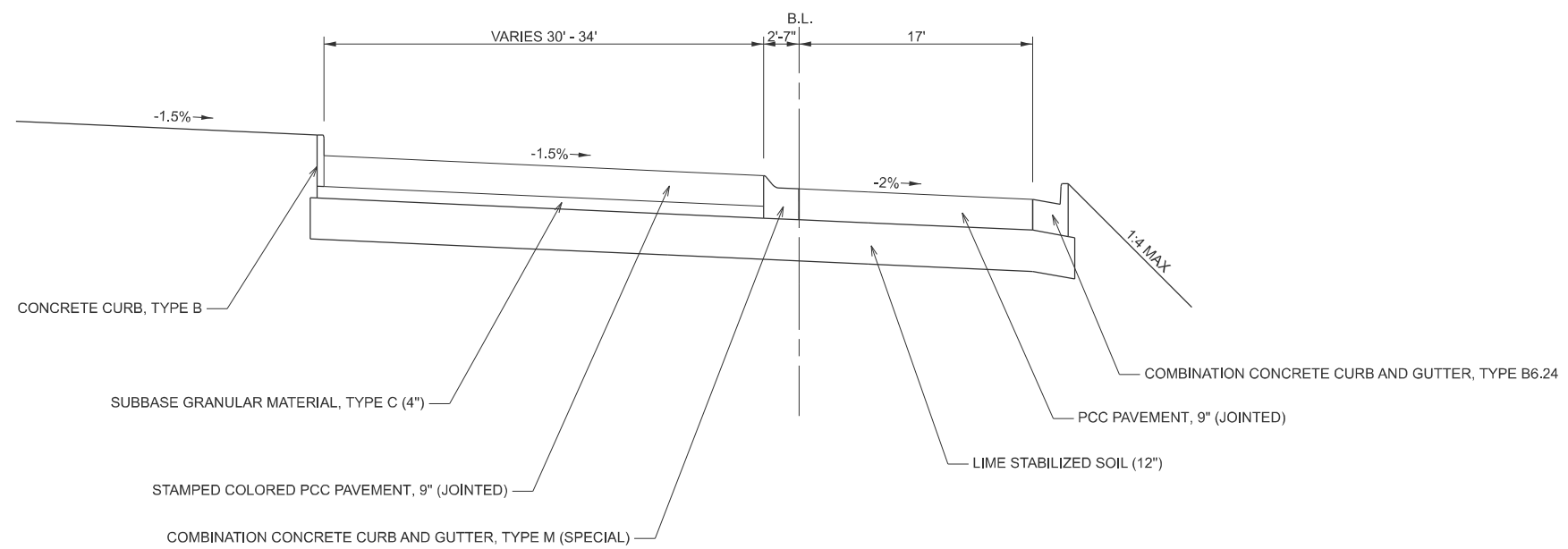
17 IL 16 PROPOSED TYPICAL CROSS SECTION

WESTBOUND EASTBOUND
 16 STA. 112+70 - STA. 117+22 16 STA. 113+17 - STA. 117+69 16



18 RAINDROP PROPOSED TYPICAL CROSS SECTION

STA. 200+00 - STA. 200+26
 STA. 208+83 - STA. 209+42.5
 STA. 217+99.5 - STA. 218+33



MODEL: Proposed Typical-9 (Sheet)
 FILE NAME: c:\p\work\wtd\hrtz\k\0852852\074435-sheets-TypicalSections.dgn

USER NAME = kaleb.hirtzel	DESIGNED -	REVISED -
	DRAWN -	REVISED -
PLOT SCALE = \$SCALE\$	CHECKED -	REVISED -
PLOT DATE = 8/19/2024	DATE -	REVISED -

**STATE OF ILLINOIS
 DEPARTMENT OF TRANSPORTATION**

PROPOSED TYPICAL SECTIONS

SCALE: 1"=50' SHEET 9 OF 12 SHEETS STA. TO STA.

F.A.I RTE.	SECTION	COUNTY	TOTAL SHEETS	SHEET NO.
57	(15-22HB-4)BR (15-22)R	COLES	1086	29
CONTRACT NO. 74435				
ILLINOIS FED. AID PROJECT				

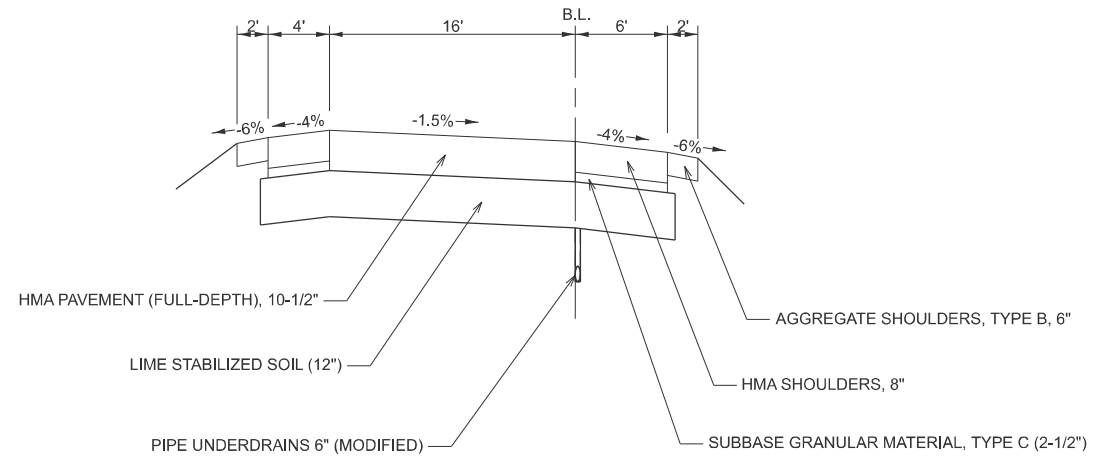
19 INTERCHANGE RAMP PROPOSED TYPICAL CROSS SECTION

PR. RAMP A: STA. 2006+60 - STA. 2014+16.7 20

PR. RAMP C: STA. 4006+60 - STA. 4013+99.9 20

19 PR. RAMP B: STA. 3006+77.2 - STA. 3011+97.74

20 PR. RAMP D: STA. 5009+18.71 - STA. 5011+96



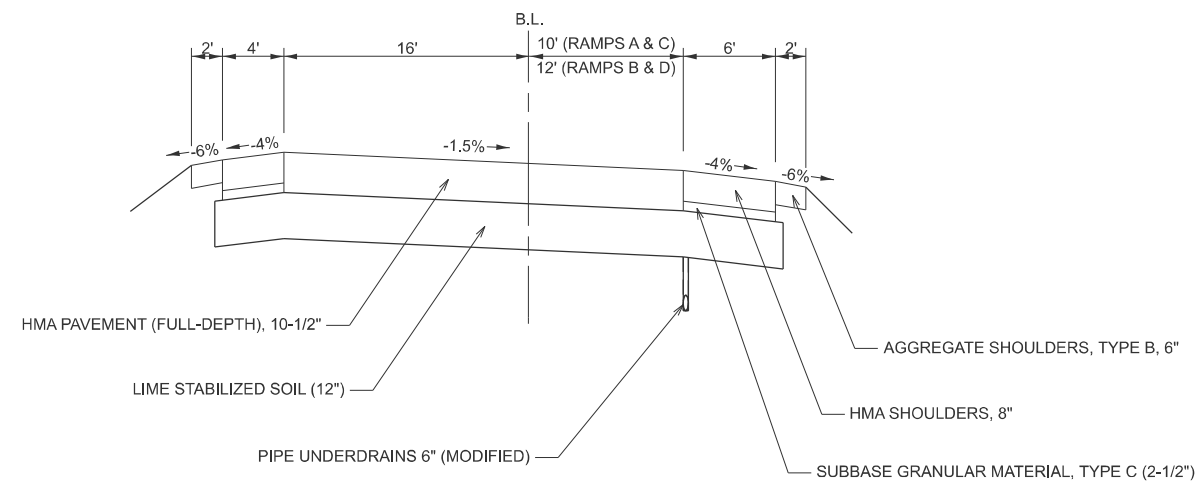
20 INTERCHANGE RAMP PROPOSED TYPICAL CROSS SECTION

19 PR. RAMP A: STA. 2014+16.7 - STA. 2017+50 21

19 PR. RAMP C: STA. 4013+99.9 - STA. 4017+41 21

22 PR. RAMP B: STA. 3001+86.53 - STA. 3006+77.2 19

23 PR. RAMP D: STA. 5002+38.17 - STA. 5009+18.71 19



MODEL: Proposed Typical-9 (Sheet)
FILE NAME: c:\p\work\hrtz\hrtz\10852852\074435-sheets-TypicalSections.dgn

USER NAME = kaleb.hirtzel	DESIGNED -	REVISED -
	DRAWN -	REVISED -
PLOT SCALE = \$SCALE\$	CHECKED -	REVISED -
PLOT DATE = 8/19/2024	DATE -	REVISED -

**STATE OF ILLINOIS
DEPARTMENT OF TRANSPORTATION**

PROPOSED TYPICAL SECTIONS

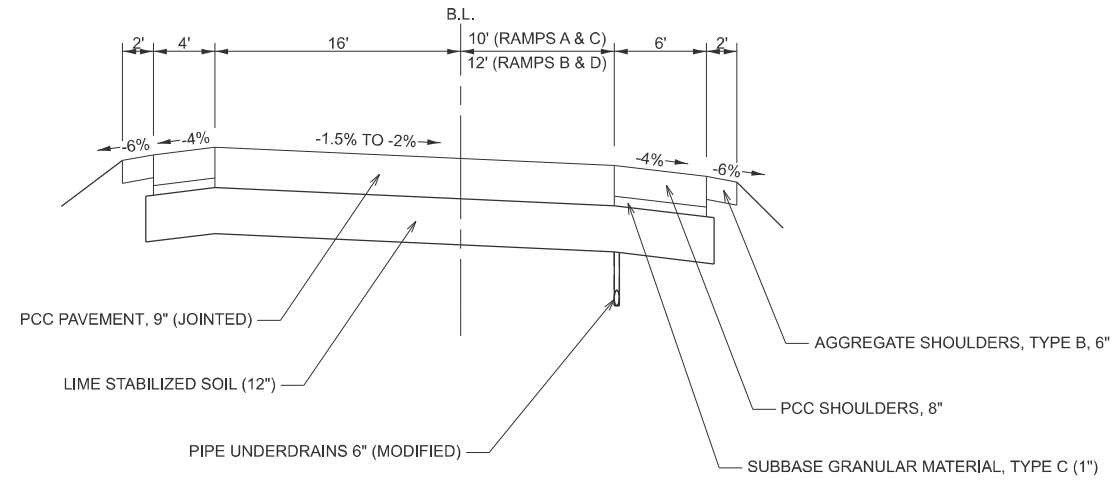
SCALE: 1"=50' SHEET 10 OF 12 SHEETS STA. TO STA.

F.A.I RTE.	SECTION	COUNTY	TOTAL SHEETS	SHEET NO.
57	(15-22HB-4)BR (15-22)R	COLES	1086	30
CONTRACT NO. 74435				
ILLINOIS FED. AID PROJECT				

21 INTERCHANGE RAMP PROPOSED TYPICAL CROSS SECTION

20 PR. RAMP A: STA. 2017+50 - STA. 2018+43.37 22

20 PR. RAMP C: STA. 4017+41 - STA. 4018+26.53 22

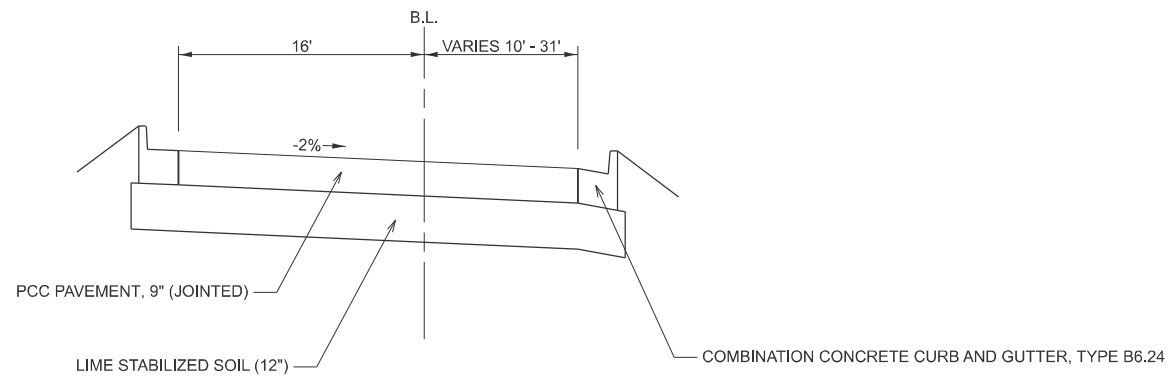


22 INTERCHANGE RAMP PROPOSED TYPICAL CROSS SECTION

21 PR. RAMP A: STA. 2018+43.37 - STA. 2020+00

20 PR. RAMP C: STA. 4018+26.53 - STA. 4020+00

PR. RAMP B: STA. 3000+80 - STA. 3001+86.53 20



MODEL: Proposed Typical-10 (Sheet)
FILE NAME: c:\p\work\w10\h1rtzel\0852852\074435-sheets-TypicalSections.dgn

USER NAME = kaleb.hirtzel	DESIGNED -	REVISED -
	DRAWN -	REVISED -
PLOT SCALE = \$SCALE\$	CHECKED -	REVISED -
PLOT DATE = 8/19/2024	DATE -	REVISED -

**STATE OF ILLINOIS
DEPARTMENT OF TRANSPORTATION**

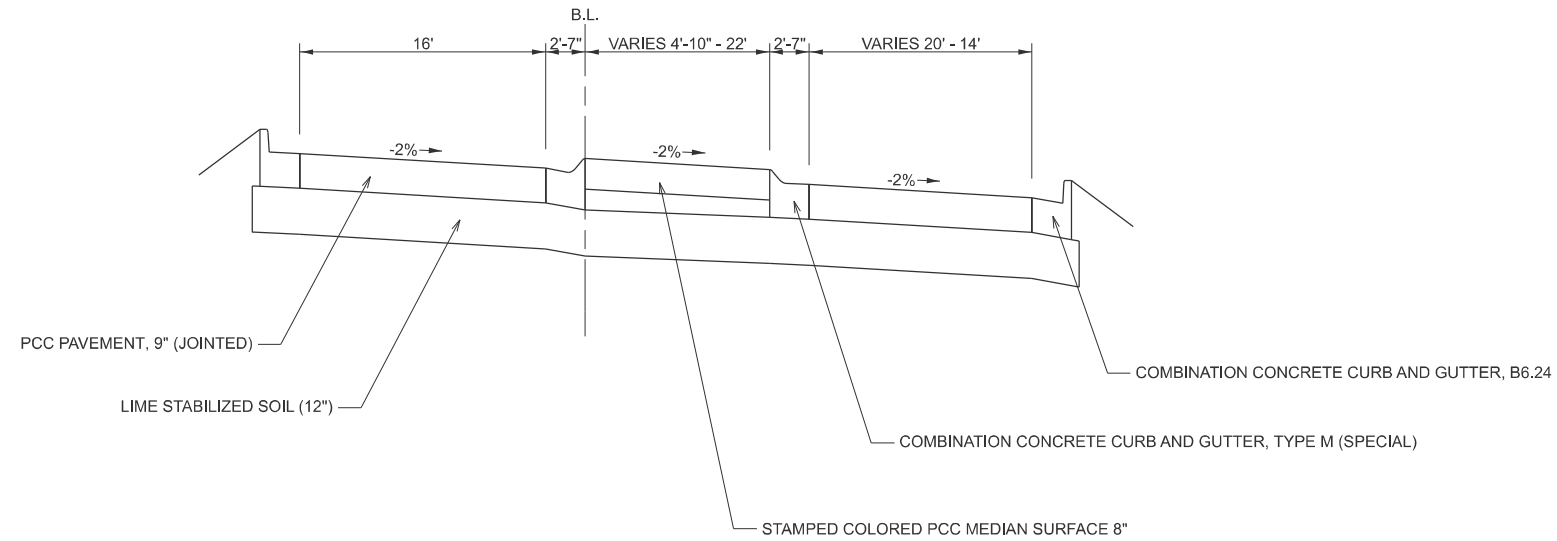
PROPOSED TYPICAL SECTIONS

SCALE: 1"=50' SHEET 11 OF 12 SHEETS STA. TO STA.

F.A.I RTE.	SECTION	COUNTY	TOTAL SHEETS	SHEET NO.
57	(15-22HB-4)BR (15-22)R	COLES	1086	31
CONTRACT NO. 74435				
ILLINOIS FED. AID PROJECT				

23 INTERCHANGE RAMP PROPOSED TYPICAL CROSS SECTION

PR. RAMP D: STA. 5000+50 - STA. 5002+38.17 20



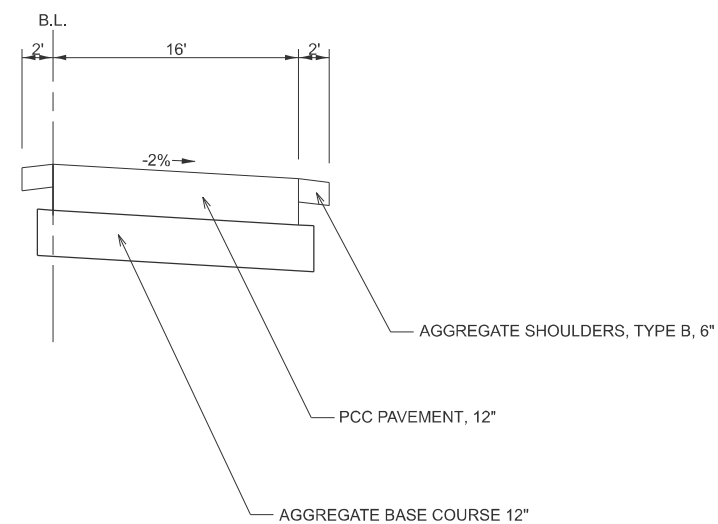
24 *TEMPORARY RAMP PROPOSED TYPICAL CROSS SECTION

NW TEMPORARY RAMP: STA. 6000+00 - STA. 6003+53

NE TEMPORARY RAMP: STA. 7000+00 - STA. 7004+62

SE TEMPORARY RAMP: STA. 8000+00 - STA. 8003+32

SW TEMPORARY RAMP: STA. 9000+00 - STA. 9004+27



* NOTE: THIS PAVEMENT STRUCTURE IS ALSO USED FOR THE TEMPORARY LEFT TURN LANES AND MEDIANS CONSTRUCTED ALONG IL 16 DURING THE PRE-STAGE. SEE STAGE CONSTRUCTION PLANS FOR MORE DETAILS.

MODEL: Proposed Typical-11 (Sheet)
FILE NAME: c:\p\work\hartzel\0852852\074435-sheets-TypicalSections.dgn

USER NAME = kaleb.hirtzel	DESIGNED -	REVISED -
	DRAWN -	REVISED -
PLOT SCALE = \$SCALE\$	CHECKED -	REVISED -
PLOT DATE = 8/19/2024	DATE -	REVISED -

**STATE OF ILLINOIS
DEPARTMENT OF TRANSPORTATION**

PROPOSED TYPICAL SECTIONS

SCALE: 1"=50' SHEET 12 OF 12 SHEETS STA. TO STA.

F.A.I RTE.	SECTION	COUNTY	TOTAL SHEETS	SHEET NO.
57	(15-22HB-4)BR (15-22)R	COLES	1086	32
CONTRACT NO. 74435				
ILLINOIS FED. AID PROJECT				

MODEL - SCHEDULES OF QUANTITIES (Sheet)
 FILE NAME: c:\pwworking\hartzel\1062852\074435-sheets-schedules.dgn

TREE REMOVAL SCHEDULE		TREE REMOVAL (6 TO 15 UNITS DIAMETER)	TREE REMOVAL (OVER 15 UNITS DIAMETER)
STATION	OFFSET	UNIT	UNIT
SB I-57			
775+39	138.7' LT	-	24
776+26	147.1' LT	-	23
783+52	296.3' LT	-	16
784+06	370.3' LT	-	27
784+76	116.8' LT	14	-
785+47	234.0' LT	7	-
785+49	267.3' LT	11	-
785+59	303.4' LT	9	-
785+82	268.6' LT	8	-
786+51	57.9' LT	15	-
790+00	95.4' LT	15	-
790+31	85.4' LT	15	-
791+42	264.5' LT	12	-
791+43	229.3' LT	14	-
791+44	301.0' LT	14	-
793+71	63.9' LT	-	17
794+18	117.4' LT	-	41
795+05	85.1' LT	-	23
795+82	131.5' LT	-	26
796+55	76.6' LT	8	-
SB I-57 TOTALS:		142	197
NB I-57			
785+08	379.1' RT	9	-
785+76	259.0' RT	9	-
786+10	260.3' RT	12	-
786+13	224.2' RT	15	-
786+45	262.5' RT	14	-
790+09	48.3' RT	7	-
790+24	54.3' RT	6	-
791+23	300.8' RT	9	-
791+61	304.6' RT	8	-
791+66	270.0' RT	10	-
792+21	193.6' RT	11	-
795+11	114.6' RT	-	45
795+80	95.8' RT	-	23
795+81	110.8' RT	6	-
790+70	54.6' RT	7	-
NB I-57 TOTALS:		123	68

TREE REMOVAL SCHEDULE		TREE REMOVAL (6 TO 15 UNITS DIAMETER)	TREE REMOVAL (OVER 15 UNITS DIAMETER)
STATION	OFFSET	UNIT	UNIT
EB IL 16			
100+10	109.6' RT	-	44
100+38	109.6' RT	-	26
139+04	99.5' RT	-	47
EB IL 16 TOTALS:		0	117
EX RAMP B			
80+22	93.4' RT	-	20
83+30	74.2' RT	-	25
84+99	62.3' RT	-	16
85+28	58.7' RT	-	20
87+97	39.7' RT	-	21
EX RAMP B TOTALS:		0	102
PROJECT TOTALS:		265	484

TREE REMOVAL, ACRES SCHEDULE					TREE REMOVAL, ACRES
STATIONING		SIDE	LENGTH FEET	AVE. WIDTH FEET	ACRES
FROM	TO				
NB I-57					
771+00	778+00	RT	700	17.5	0.48
801+00	802+00	RT	100	57.5	0.13
802+00	806+00	RT	400	20.0	0.18
806+00	808+04	RT	204	67.5	0.37
809+01	809+48	RT	47	70.0	0.08
NB I-57 TOTAL:					1.23
SB I-57					
805+92	807+92	LT	200	111.0	0.46
808+32	812+00	LT	368	70.0	0.48
SB I-57 TOTAL:					0.94
EB IL 16					
130+00	135+88	RT	588	10.0	0.13
EB IL 16 TOTAL:					0.13
EX RAMP B					
78+08	81+26	RT	318	17.0	0.10
EX RAMP B TOTAL:					0.10
EX RAMP H					
793+00	801+00	RT	800	87.5	1.40
801+00	802+00	RT	100	57.5	0.13
EX RAMP H TOTAL:					1.53
EX RAMP F					
4+06	14+84	RT	1078	105.8	2.59
14+84	16+77	RT	193	102.5	0.60
16+77	19+68	RT	291	50.5	0.35
EX RAMP F TOTAL:					3.55
PROJECT TOTAL:					7.49

GUARD POSTS REMOVAL SCHEDULE - PRE-STAGE			GUARD POSTS REMOVAL
STATIONING		OFFSET	EACH
FROM	TO		
EX IL 16			
120+10	121+62	4' LT	28
120+26.5	120+56	58' RT	7
PRE-STAGE TOTAL:			35

FENCE REMOVAL SCHEDULE			WOVEN WIRE FENCE REMOVAL
STATIONING		SIDE	FOOT
FROM	TO		
SB I-57 - STAGE 1			
797+11	807+57	LT	1066.0
808+96	809+12	LT	100.0
STAGE 1 TOTAL:			1166.0
NB I-57 - STAGE 2			
771+00	780+50	RT	971.0
798+12	801+00	RT	292.0
807+24	807+61	RT	81.0
809+01	809+15	RT	100.0
STAGE 2 TOTAL:			1444.0
IL 16 - STAGE 3B			
130+00	132+50	RT	250.5
132+50	135+88	RT	337.9
STAGE 3B TOTAL:			588.4
PROJECT TOTAL:			3198.4

USER NAME = kaleb.hirtzel	DESIGNED -	REVISED -
	DRAWN -	REVISED -
	CHECKED -	REVISED -
PLOT DATE = 8/16/2024	DATE -	REVISED -

STATE OF ILLINOIS
DEPARTMENT OF TRANSPORTATION

SCHEDULE OF QUANTITIES			
SCALE:	SHEET 1	OF 50 SHEETS	STA. TO STA.

F.A.I. RTE.	SECTION	COUNTY	TOTAL SHEETS	SHEET NO.
57	(15-22HB-4)BR (15-22)R	COLES	1086	33
CONTRACT NO. 74435				
ILLINOIS		FED. AID PROJECT		

GUARDRAIL REMOVAL SCHEDULE PRE-STAGE			GUARDRAIL REMOVAL
STATIONING			
FROM	TO	SIDE	FOOT
NB I-57			
811+44.0	811+99.0	LT	55.0
NB I-57 TOTAL:			55.0
EX IL 16			
100+31.8	101+66.5	RT	134.7
EX IL 16 TOTAL:			134.7
PRE-STAGE TOTAL:			189.7

GUARDRAIL REMOVAL SCHEDULE STAGE 1			GUARDRAIL REMOVAL
STATIONING			
FROM	TO	SIDE	FOOT
SB I-57			
785+30.7	787+44.5	LT	214.0
789+91.0	792+36.0	RT	245.0
792+10.0	799+10.0	LT	700.0
802+35.0	805+10.0	RT	275.0
805+93.5	807+43.5	LT	150.0
808+99.5	813+99.5	LT	500.0
809+05.0	813+99.5	RT	494.5
815+67.0	821+62.0	LT	595.0
815+67.0	818+12.5	RT	245.5
SB I-57 TOTAL:			3419.0
EB IL 16			
112+93.0	115+94.0	LT	301.0
112+95.0	114+21.0	RT	126.0
114+57.0	115+24.0	RT	67.0
EB IL 16 TOTAL:			494.0
WB IL 16			
113+84.0	116+85.0	RT	301.0
114+53.0	115+20.5	LT	67.5
115+56.0	116+70.0	LT	114.0
WB IL 16 TOTAL:			482.5
EX RAMP C			
124+13.0	126+29.0	RT	216.0
138+95.0	140+22.0	RT	127.0
EX RAMP C TOTAL:			343.0
EX RAMP E			
116+37.0	118+63.5	LT	226.5
118+55.0	121+64.0	RT	309.0
EX RAMP E TOTAL:			535.5
EX RAMP F			
4+06.0	11+70.0	RT	764.0
EX RAMP F TOTAL:			764.0
STAGE 1 TOTAL:			6038.0

GUARDRAIL REMOVAL SCHEDULE STAGE 2			GUARDRAIL REMOVAL
STATIONING			
FROM	TO	SIDE	FOOT
NB I-57			
771+97.0	774+71.4	LT	274.4
773+91.0	775+28.0	RT	137.0
784+97.0	787+42.0	LT	245.0
793+41.0	798+41.0	RT	500.0
799+28.0	802+41.0	LT	313.0
805+10.0	807+54.0	LT	244.0
809+15.0	813+95.0	RT	480.0
811+99.0	813+95.0	LT	196.0
815+67.0	820+08.0	RT	441.0
836+03.0	838+66.0	RT	263.0
NB 57 TOTAL:			3093.4
EX RAMP A			
85+04.0	87+37.0	RT	233.0
EX RAMP A TOTAL:			233.0
EX RAMP B			
73+93.0	75+30.0	RT	137.0
EX RAMP B TOTAL:			137.0
EX RAMP G			
89+86.0	97+57.0	RT	771.0
93+36.0	99+17.0	LT	581.0
EX RAMP G TOTAL:			1352.0
EX RAMP H			
800+72.0	807+58.0	RT	686.0
EX RAMP H TOTAL:			686.0
STAGE 2 TOTAL:			5501.4

GUARDRAIL REMOVAL SCHEDULE STAGE 3			GUARDRAIL REMOVAL
STATIONING			
FROM	TO	SIDE	FOOT
WB IL 16 (STAGE 3A)			
128+06.0	128+62.0	LT	56.0
128+62.0	128+00.0	STA. EQU.	-
128+00.0	128+81.0	LT	81.0
128+05.0	129+41.0	RT	136.0
STAGE 3A TOTAL:			273.0
EB IL 16 (STAGE 3B)			
100+67.0	102+04.0	RT	137.0
STAGE 3B TOTAL:			137.0
EX RAMP F (STAGE 3E)			
6+82.3	1885+12.0	RT	1198.0
12+19.0	16+54.6	LT	453.0
STAGE 3E TOTAL:			1651.0
EX RAMP H (STAGE 3F)			
794+32.3	798+00.0	LT	350.0
794+68.4	800+53.0	RT	610.0
STAGE 3F TOTAL:			960.0
STAGE 3 TOTAL:			3021.0

MODEL: SCHEDULES OF QUANTITIES-1 (Sheet)
FILE NAME: c:\p\work\hrtz\hrtz\100862852\074435-sheets-Schedules.dgn

USER NAME = kaleb.hirtzel	DESIGNED -	REVISED -
	DRAWN -	REVISED -
	CHECKED -	REVISED -
PLOT DATE = 8/19/2024	DATE -	REVISED -

**STATE OF ILLINOIS
DEPARTMENT OF TRANSPORTATION**

SCHEDULE OF QUANTITIES

SCALE: SHEET 2 OF 50 SHEETS STA. TO STA.

F.A.I RTE.	SECTION	COUNTY	TOTAL SHEETS	SHEET NO.
57	(15-22HB-4)BR (15-22)R	COLES	1086	34
CONTRACT NO. 74435				
ILLINOIS FED. AID PROJECT				

PAVEMENT REMOVAL SCHEDULE PRE-STAGE				PAVEMENT REMOVAL SQ YD
STATION	OFFSET 1	OFFSET 2	AREA	
		FEET	FEET	SQ FT
EX IL 16				
120+38.00	57.0 RT	248 RT	2453.18	272.6
120+70.50	16.7 RT	17.2 LT	868.75	96.5
EX IL 16 TOTAL :				369.1
LINCOLN PRAIRIE GRASS TRAIL				
100+74.75	101+14.75	40	10	44.4
103+87.25	104+27.25	40	10	44.4
LINCOLN PRAIRIE GRASS TRAIL TOTAL:				88.9
PRE-STAGE TOTAL:				458.0

PAVEMENT REMOVAL SCHEDULE STAGES 1 & 2				PAVEMENT REMOVAL SQ YD
LOCATION	STATIONING			
		FROM	TO	
STAGE 1				
SB I-57	807+06	807+24		48.8
SB I-57	809+25	809+42		47.1
EX RAMP C	12450	141+10		2831.7
E RAMP D	57+00	67+02		1231.5
EX RAMP E	10642	121+30		2408.5
EX RAMP F	4+06	6+80		227.9
STAGE 1 TOTAL:				6795.5
STAGE 2				
NB I-57	807+17.0	807+34		46.7
NB I-57	809+35	809+53		48.3
EX RAMP A	72+52.0	87+04		2286.6
EX RAMP B	71+08	74+30.5		308.1
EX RAMP G	90+24.0	106+42		2784.7
EX RAMP H	800+53.0	807+17		718.9
STAGE 2 TOTAL:				6193.3
STAGE 1 & 2 TOTAL:				12988.8

PAVEMENT REMOVAL SCHEDULE PRE-STAGE 3			PAVEMENT REMOVAL SQ YD
STATIONING			
FROM	TO		
EB IL 16			
10841.4	10879.4		72.6
10841.4	10879.4		42.2
EB IL 16 TOTAL:			114.8
WB IL 16			
108+41.2	108+80.2		52.8
108+41.2	108+80.2		85.0
108+04.6	108+95.8		230.8
WB IL 16 TOTAL:			368.6
NW TEMPORARY RAMP			
6000+71.0	6003+51.0		581.2
NW TEMP RAMP TOTAL:			581.2
SW TEMPORARY RAMP			
9000+87.0	9004+14.0		623.3
SW TEMP RAMP TOTAL:			623.3
PRE-STAGE 3 TOTAL:			1687.9

PAVEMENT REMOVAL SCHEDULE - STAGE 3				PAVEMENT REMOVAL SQ YD
LOCATION	STATIONING			
		FROM	TO	
STAGE 3A				
WB IL 16	102+63.3	127+71.4		7371.8
EX IL 16	120+49.2	121+44		205.8
NE TEMPORARY RAMP	7000+76.0	7004+62.0		791.7
STAGE 3A TOTAL:				8369.2
STAGE 3B				
EB IL 16	102+06.0	127+14.0		7234.3
EX IL 16	117+90.0	121+44.0		375.6
SE TEMPORARY RAMP	8000+00.0	8003+32.0		533.6
EX RAMP B	74+10.5	103+42.2		4442.9
EX RAMP D	33+42.0	57+19.3		3872.9
STAGE 3B TOTAL:				16459.3
STAGE 3C				
EX IL 16	94+70.9	101+41.8		1295.8
EX IL 16	130+33.2	137+04.1		1295.8
WB IL 16	109+41.0	110+81.6		164.3
WB IL 16	110+82.0	119+63.4		1689.4
WB IL 16	119+62.3	120+41.1		95.3
STAGE 3C TOTAL:				4540.5
STAGE 3E				
EX RAMP F	6+59.6	34+68.0		4250.0
STAGE 3E TOTAL:				4250.0
STAGE 3F				
EX RAMP H	777+25.7	800+73.6		3982.9
STAGE 3F TOTAL:				3982.9
STAGE 3 TOTAL:				37601.9

APPROACH SLAB REMOVAL SCHEDULE STAGES 1 & 2				APPROACH SLAB REMOVAL SQ YD
STATIONING		LENGTH		
FROM	TO	FEET		
SB I-57 - STAGE 1				
787+07.7	787+49.0	41.3		234.0
789+84.7	790+26.4	41.7		254.8
807+24.0	807+54.0	30.0		147.5
808+94.0	809+24.5	30.5		148.9
STAGE 1 TOTAL:				785.2
NB I-57 - STAGE 2				
787+07.7	787+47.4	39.7		238.2
789+82.9	790+26.4	43.5		246.3
807+34.0	807+65.0	31.0		149.3
809+04.0	809+35.0	31.0		148.6
STAGE 2 TOTAL:				782.3
PROJECT TOTAL:				1567.6

CURB & GUTTER REMOVAL SCHEDULE STAGE 3B					COMBINATION CURB AND GUTTER REMOVAL FOOT
STATIONING		START O/S	END O/S		
FROM	TO	FEET	FEET		
EB IL 16					
144+32.6	144+55.1	26.2' RT	41.1' RT		25.0
STAGE 3B TOTAL:					25.0

MODEL: SCHEDULES OF QUANTITIES-2 (Sheet)
FILE NAME: c:\p\work\w101\hrtz\h100862852\0774435-sheets\Schedules.dgn

USER NAME = kaleb.hirtzel	DESIGNED -	REVISED -	STATE OF ILLINOIS DEPARTMENT OF TRANSPORTATION		SCHEDULE OF QUANTITIES			F.A.I RTE.	SECTION	COUNTY	TOTAL SHEETS	SHEET NO.
	DRAWN -	REVISED -			SCALE: SHEET 3 OF 50 SHEETS STA. TO STA.			57	(15-22HB-4)BR (15-22)R	COLES	1086	35
	CHECKED -	REVISED -						CONTRACT NO. 74435				
PLOT DATE = 8/19/2024	DATE -	REVISED -						ILLINOIS FED. AID PROJECT				

PIPE CULVERT REMOVAL SCHEDULE PRE-STAGE						PIPE CULVERT REMOVAL
LOCATION	STATION	O/S	STATION	O/S	DIAMETER	
		FEET		FEET	INCHES	FOOT
NB I-57	807+60.5	154.3' RT	807+98.7	149.6' RT	24	31.0
EX IL 16	92+32.0	55.9' RT	92+33.0	73.1' LT	36	129.0
PRE-STAGE TOTAL:						160.0

PIPE CULVERT REMOVAL SCHEDULE - PRE-STAGE 3						PIPE CULVERT REMOVAL
LOCATION (SUB-STAGE)	STATION	O/S	STATION	O/S	DIAMETER	
		FEET		FEET	INCHES	FOOT
NW TEMP RAMP (3C)	107+90.8	125.8 LT	108+54.1	126 LT	15	63.3
IL 16 PCC MEDIAN (3C)	107+87.6	0.1 RT	108+80.0	0.5 RT	18	92.2
SW TEMP RAMP (3E)	107+85.0	86.5 RT	107+47.8	82.2 RT	36	62.9
SW TEMP RAMP (3E)	107+86.1	89.6 RT	108+47.8	85.3 RT	36	61.8
PRE-STAGE 3 TOTAL:						280.2

PAVEMENT MARKING REMOVAL SCHEDULE				PAVEMENT MARKING REMOVAL - WATER BLASTING
LOCATION	STATIONING		LENGTH	
	FROM	TO	FEET	SQ FT
PRE-STAGE				
EX RAMP B	87+18	88+07	89	44.5
EX RAMP H	789+97	790+81	84	42.0
PRE-STAGE TOTAL:				86.5
STAGE 1				
EX RAMP D	45+96	46+82	86	43.0
EX RAMP F	19+77	20+62	85	42.5
STAGE 1 TOTAL:				85.5
STAGE 3A				
EB IL 16	112+00	128+21	1621	540.3
STAGE 3A TOTAL:				540.3
STAGE 3B				
NB I-57	767+50	778+18	1067.7	533.8
SB I-57	764+00	779+45	1545	772.5
EX RAMP D	35+50	42+00	650	216.7
STAGE 3B TOTAL:				1523.0
STAGE 3E				
SB I-57	790+09	810+00	1991	995.5
STAGE 3E TOTAL:				995.5
STAGE 3F				
NB I-57	798+53	813+50	1497.2	748.6
STAGE 3F TOTAL:				748.6
PROJECT TOTAL:				3979.5

PIPE CULVERT REMOVAL SCHEDULE - STAGES 1 & 2					PIPE CULVERT REMOVAL
LOCATION	STATION	DIAMETER	LT O/S	RT O/S	
		INCHES	FEET	FEET	FOOT
STAGE 1					
EX RAMP C	128+51.0	24	56.0	34.0	90.0
EX RAMP C	135+91.0	24	35.4	18.0	53.4
EX RAMP E	112+54.0	24	43.0	27.0	70.0
EX RAMP F	14+95.0	24	76.8	-	10.0
EX RAMP F	14+95.0	24	-	74.2	10.0
STAGE 1 TOTAL:					233.4
STAGE 2					
EX RAMP A	77+51.0	24	100.2	13.6	113.8
EX RAMP G	94+71.0	24	83.2	62.7	145.9
EX RAMP H	796+00.0	24	46.9 - 83.5	-	36.6
EX RAMP H	796+00.0	24	-	33.9 - 68.3	34.3
STAGE 2 TOTAL:					330.6
STAGES 1 & 2 TOTAL:					564.0

PIPE CULVERT REMOVAL SCHEDULE - STAGE 3						PIPE CULVERT REMOVAL
LOCATION	STATION	O/S	STATION	O/S	DIAMETER	
		FEET		FEET	INCHES	FOOT
STAGE 3A						
EX RAMP H	786+35.1	34.5' RT	786+35.1	14.5' RT	15	49.0
NE TEMPORARY RAMP	602+48.5	18.0' LT	602+62.6	33.9' RT	15	53.8
NE TEMPORARY RAMP	604+36.6	18.0' LT	604+36.6	53.3' RT	15	71.3
E IL 16 TEMP MEDIAN	120+55	4.5' LT	121+70.3	0.4' RT	15	115.4
STAGE 3A TOTAL:						289.5
STAGE 3B						
EX IL 16	134+63.8	72.1' RT	134+96.8	72.7' RT	24	33.0
EX RAMP B	89+98.1	44.7' LT	89+89.6	20' RT	24	65.2
SE TEMPORARY RAMP	8001+15.3	14.7' LT	8002+26.6	30.0' RT	15	120.2
SE TEMPORARY RAMP	8002+80.3	16.2' LT	8002+94.5	37.1' RT	24	55.2
STAGE 3B TOTAL:						273.6
STAGE 3C						
EX IL 16	95+56.3	0	97+96.5	0	15 ERS	240.2
EX IL 16	98+03.5	0	100+63.8	0	15 ERS	260.3
EX IL 16	98+00.0	0	98+00.0	14' LT	15	14.0
EX IL 16	98+00.0	0	98+00.0	14' RT	15	14.0
EX IL 16	131+46.3	0	133+71.5	0	15 ERS	225.2
EX IL 16	133+78.5	0	137+03.8	0	15 ERS	325.3
EX IL 16	133+75.0	0	133+75.0	14' LT	15	14.0
EX IL 16	133+75.0	0	133+75.0	14' RT	15	14.0
STAGE 3C TOTAL:						1107.0
STAGE 3E						
RAMP A	2013+86.1	87.4	2016+85.3	109	36	300.0
STAGE 3E TOTAL:						300.0
STAGE 3 TOTAL:						1970.1

MODEL: SCHEDULES OF QUANTITIES-S (Sheet)
 FILE NAME: c:\pdx_work\pdx\hrtz\hrtz\100852852\0774435-sheets-Schedules.dgn

USER NAME = kaleb.hirtzel	DESIGNED -	REVISED -
	DRAWN -	REVISED -
	CHECKED -	REVISED -
PLOT DATE = 8/19/2024	DATE -	REVISED -

**STATE OF ILLINOIS
DEPARTMENT OF TRANSPORTATION**

SCHEDULE OF QUANTITIES

SCALE: SHEET 6 OF 50 SHEETS STA. TO STA.

F.A.I RTE.	SECTION	COUNTY	TOTAL SHEETS	SHEET NO.
57	(15-22HB-4)BR (15-22)R	COLES	1086	38
CONTRACT NO. 74435				
ILLINOIS FED. AID PROJECT				

MODEL: SCHEDULES OF QUANTITIES-0 (Sheet)
FILE NAME: c:\p\work\hrtz\hrtz\10652832\74435-sheets-Schedules.dgn

SIGN REMOVAL EX I-57 EXIT RAMP				REMOVE SIGN PANEL - TYPE 1	REMOVE SIGN PANEL - TYPE 2	REMOVE SIGN PANEL - TYPE 3	REMOVE SIGN PANEL ASSEMBLY - TYPE B
STATION	SIDE	CATALOG NO.	SIZE	SQ FT	SQ FT	SQ FT	EACH
			INCHES				
EX RAMP B							
78+93	RT	R8-3	24X30	5.0	-	-	-
78+93	RT	W13-3	48X60	-	20.0	-	-
79+30	LT	W1-8	30X36	7.5	-	-	-
80+10	LT	W1-8	30X36	7.5	-	-	-
80+90	LT	W1-8	30X36	7.5	-	-	-
81+70	LT	W1-8	30X36	7.5	-	-	-
82+50	LT	W1-8	30X36	7.5	-	-	-
84+50	LT	M3-9	30X15	-	-	-	1
		M1-I100	36X36				
		M6-2L	30X18				
		M3-2	30X15				
		M1-I100	36X36				
84+60	RT	W1-8	30X36	7.5	-	-	-
85+00	RT	D9-5B	18X18	2.3	-	-	-
85+00	RT	L2-G3	102X60	-	-	42.5	-
85+40	RT	W1-8	30X36	7.5	-	-	-
86+20	RT	W1-8	30X36	7.5	-	-	-
86+90	RT	W1-8	30X36	7.5	-	-	-
87+00	LT	W3-3(O)	48X48	-	16.0	-	-
88+52	LT	W12-1(O)	48X48	-	16.0	-	-
88+70	LT	W1-8	30X36	7.5	-	-	-
89+50	LT	W1-8	30X36	7.5	-	-	-
90+25	LT	W1-8	30X36	7.5	-	-	-
EX RAMP B TOTALS:				97.3	52.0	42.5	1
EX RAMP C							
127+10	RT	W13-3	48X60	-	20.0	-	-
128+07	LT	W1-8	30X36	7.5	-	-	-
128+92	LT	W1-8	30X36	7.5	-	-	-
129+57	RT	W12-2	48X48	-	16.0	-	-

SIGN REMOVAL EX I-57 EXIT RAMP				REMOVE SIGN PANEL - TYPE 1	REMOVE SIGN PANEL - TYPE 2	REMOVE SIGN PANEL - TYPE 3	REMOVE SIGN PANEL ASSEMBLY - TYPE B
STATION	SIDE	CATALOG NO.	SIZE	SQ FT	SQ FT	SQ FT	EACH
			INCHES				
129+60	LT	W1-8	30X36	7.5	-	-	-
129+60	LT	W12-2	48X48	-	16.0	-	-
130+95	LT	W1-8	30X36	7.5	-	-	-
131+70	LT	W1-8	30X36	7.5	-	-	-
132+20	LT	W1-8	30X36	7.5	-	-	-
132+75	RT	D9-5B	18X18	2.3	-	-	-
132+75	LT	W1-8	30X36	7.5	-	-	-
132+75	RT	L2-G3	102X60	-	-	42.5	-
133+60	LT	W1-8	30X36	7.5	-	-	-
134+35	LT	W1-8	30X36	7.5	-	-	-
135+15	LT	W1-8	30X36	7.5	-	-	-
135+85	LT	W1-8	30X36	7.5	-	-	-
136+75	LT	W1-8	30X36	7.5	-	-	-
137+55	LT	W1-8	30X36	7.5	-	-	-
EX RAMP C TOTALS:				99.8	52.0	42.5	0
EX RAMP F							
12+05	LT	W1-8	30X36	7.5	-	-	-
12+85	LT	W1-8	30X36	7.5	-	-	-
13+65	LT	W1-8	30X36	7.5	-	-	-
14+50	LT	W1-8	30X36	7.5	-	-	-
15+30	LT	W1-8	30X36	7.5	-	-	-
16+60	LT	M3-2	30X15	-	-	-	1
		M1-I100	36X36				
		M6-2L	30X18				
		M3-9	30X15				
		M1-I100	36X36				
17+35	RT	W1-8	30X36	7.5	-	-	-
18+15	RT	W1-8	30X36	7.5	-	-	-
19+00	RT	W1-8	30X36	7.5	-	-	-
19+00	LT	W3-3(O)	48X48	-	16.0	-	-

SIGN REMOVAL EX I-57 EXIT RAMP				REMOVE SIGN PANEL - TYPE 1	REMOVE SIGN PANEL - TYPE 2	REMOVE SIGN PANEL - TYPE 3	REMOVE SIGN PANEL ASSEMBLY - TYPE B
STATION	SIDE	CATALOG NO.	SIZE	SQ FT	SQ FT	SQ FT	EACH
			INCHES				
21+00	LT	W1-8	30X36	7.5	-	-	-
21+75	LT	W1-8	30X36	7.5	-	-	-
22+09	LT	W12-1(O)	48X48	-	16.0	-	-
22+60	LT	W1-8	30X36	7.5	-	-	-
23+30	LT	W1-8	30X36	7.5	-	-	-
24+37	RT	L2	108X60	-	-	45.0	-
26+55	RT	L2-L6	144X96	-	-	96.0	-
28+44	RT	L2-F6	102X96	-	-	68.0	-
30+45	RT	L2-G3	102X60	-	-	42.5	-
EX RAMP F TOTALS:				90.0	32.0	251.5	1
EX RAMP G							
92+80	RT	W13-3	48X60	-	20.0	-	-
93+75	LT	W1-8	30X36	7.5	-	-	-
94+50	LT	W1-8	30X36	7.5	-	-	-
95+34	LT	W1-8	30X36	7.5	-	-	-
96+09	LT	W1-8	30X36	7.5	-	-	-
96+84	LT	W1-8	30X36	7.5	-	-	-
97+57	LT	W1-8	30X36	7.5	-	-	-
98+32	LT	W1-8	30X36	7.5	-	-	-
98+87	RT	L2	108X60	-	-	45.0	-
99+00	LT	W1-8	30X36	7.5	-	-	-
99+81	LT	W1-8	30X36	7.5	-	-	-
100+30	LT	W1-8	30X36	7.5	-	-	-
100+88	RT	L2-L6	96X96	-	-	64.0	-
101+20	LT	W1-8	30X36	7.5	-	-	-
101+95	LT	W1-8	30X36	7.5	-	-	-
102+85	LT	W1-8	30X36	7.5	-	-	-
102+85	RT	L2-F6	96X96	-	-	64.0	-
104+89	RT	L2-G3	102X60	-	-	42.5	-
EX RAMP G TOTALS:				97.5	20.0	215.5	0
EX I-57 EXIT RAMP TOTALS:				384.5	156.0	552.0	2

USER NAME = kaleb.hirtzel	DESIGNED -	REVISED -
	DRAWN -	REVISED -
	CHECKED -	REVISED -
PLOT DATE = 8/19/2024	DATE -	REVISED -

DESIGNED -	REVISED -
DRAWN -	REVISED -
CHECKED -	REVISED -
DATE -	REVISED -

**STATE OF ILLINOIS
DEPARTMENT OF TRANSPORTATION**

SCHEDULE OF QUANTITIES

SCALE: SHEET 10 OF 50 SHEETS STA. TO STA.

F.A.I RTE.	SECTION	COUNTY	TOTAL SHEETS	SHEET NO.
57	(15-22HB-4)BR (15-22)R	COLES	1086	42
CONTRACT NO. 74435				
ILLINOIS FED. AID PROJECT				

EARTHWORK SCHEDULE PRE-STAGE	EARTH EXCAVATION	EARTH EXCAVATION ADJUSTED FOR SHRINKAGE (25%)	EARTH FILL	EARTHWORK BALANCE, WASTE (+) OR SHORTAGE (-)	TOPSOIL EXCAVATION AND PLACEMENT
NW TEMP RAMP (SB EXIT)	136.2	102.1	1550.4	-1448.2	-
NE TEMP RAMP (NB ENT)	519.1	389.3	215.0	174.3	-
SE TEMP RAMP (NB EXIT)	134.2	100.7	483.4	-382.7	-
SW TEMP RAMP (SB ENT)	141.8	106.4	1376.3	-1270.0	-
W MEDIAN LT TURN LANE	66.9	50.2	13.2	37.0	-
W MEDIAN W/ ADJACENT GRADING	1.7	1.3	198.1	-196.9	-
E MEDIAN LT TURN LANE	212.4	159.3	15.5	143.8	-
E MEDIAN W/ ADJACENT GRADING	62.0	46.5	24.2	22.2	-
NW IL 16 BRIDGE TEMP G.R. STA 792+04-792+88	5.5	4.1	2.4	1.6	-
NW LPGT BRIDGE TEMP G.R. STA 811+74-812+08	5.4	4.0	0.6	3.4	-
NW IL 316 BRIDGE TEMP G.R. STA 817+79-818+63	5.3	4.0	9.0	-5.0	-
PR BIKE PATH BOX CULVERT	0.0	0.0	6076.0	-6076.0	-
BOX CULVERT EXT. LT SIDE	3.7	2.8	222.3	-219.5	-
BOX & PIPE EXT RT SIDE	92.2	69.2	75.2	-6.1	-
SOUTH I-57 CROSS-OVER	-	-	-	-	211
NORTH I-57 CROSS-OVER	-	-	-	-	160
WEST IL 16 CROSSOVER	-	-	-	-	144
EAST IL 16 CROSSOVER	-	-	-	-	144
PRE-STAGE TOTALS:	1386.4	-	-	-9221.9	659.0

EARTHWORK SCHEDULE STAGES 1, 2 & PRE-STAGE 3			EARTH EXCAVATION	EARTH EXCAVATION ADJUSTED FOR SHRINKAGE (25%)	EARTH FILL	EARTHWORK BALANCE, WASTE (+) OR SHORTAGE (-)	TOPSOIL EXCAVATION AND PLACEMENT
STATIONING		SIDE					
FROM	TO			CU YD	CU YD	CU YD	CU YD
SB I-57 - STAGE 1							
763+56.86	787+56.86	LT	12471.0	9353.3	8408.1	945.1	4093.7
763+56.86	787+56.86	RT	6.5	4.8	1626.5	-1621.7	269.1
787+56.86	789+78.86	LT	49.6	37.2	1664.5	-1627.3	-
787+56.86	789+78.86	RT	1.7	1.3	737.2	-735.9	-
789+78.86	822+78.86	LT	18227.7	13670.8	59613.8	-45943.0	4899.6
789+78.86	822+78.87	RT	270.5	202.8	4920.4	-4717.6	341.3
STAGE 1 TOTALS:			31026.9	-	-	-53700.3	9603.7
NB I-57 - STAGE 2							
767+45.00	788+45.00	LT	36.9	27.7	1864.4	-1836.7	227.6
767+45.00	788+45.00	RT	23427.6	17570.7	9015.6	8555.1	4528.1
789+05.00	814+05.00	LT	232.4	174.3	2710.7	-2536.4	315.2
789+05.00	814+05.00	RT	17921.3	13441.0	49280.8	-35839.9	4740.4
STAGE 2 TOTALS:			41618.1	-	-	-31657.8	9811.3
SB I-57 (NW QUAD) - PRE-STAGE 3							
789+34.00	798+34.00	LT	13838.6	10379.0	376.5	10002.5	342.0
SB I-57 (SW QUAD) - PRE-STAGE 3							
781+29.50	788+29.50	LT	10960.8	8220.6	681.3	7539.3	259.0
IL 16 (MEDIAN) - PRE-STAGE 3							
106+25.00	110+25.00	LT/RT	180.8	135.6	227.1	-91.5	75.6
114+60.00	115+18.00	LT/RT	0.0	0.0	35.2	-35.2	0.0
PRE-STAGE 3 TOTALS:			24980.2	-	-	17415.2	676.5

EARTHWORK SCHEDULE STAGE 3	EARTH EXCAVATION	EARTH EXCAVATION ADJUSTED FOR SHRINKAGE (25%)	EARTH FILL	EARTHWORK BALANCE, WASTE (+) OR SHORTAGE (-)	TOPSOIL EXCAVATION AND PLACEMENT	TOPSOIL FURNISH AND PLACE, 4"
STAGE	CU YD	CU YD	CU YD	CU YD	CU YD	SQ YD
PRE-STAGE 3 CARRYOVER	-	-	-	17415.2	-	-
STAGE 3A	14531.3	10898.5	26820.7	-15922.3	1999.2	-
STAGE 3A TOTALS:	14531.3	-	-	1492.9	1999.2	-
STAGE 3A CARRYOVER	-	-	-	1492.9	-	-
STAGE 3B	21483.6	16112.7	39324.0	-23211.3	3138.6	-
STAGE 3B TOTALS:	21483.6	-	-	-21718.3	3138.6	-
STAGE 3B CARRYOVER	-	-	-	-	-	-
STAGE 3C	8951.3	6713.5	12317.9	-5604.4	-	-
STAGE 3C X-OVER REMOVAL	5166.3	5166.3	0.0	5166.3	-	-
STAGE 3C TOTALS:	14117.6	-	-	-5604.4	-	-
STAGE 3C CARRYOVER	-	-	-	-	-	-
STAGE 3E	26297.3	19722.9	5240.7	14482.2	1022.4	-
STAGE 3E TOTALS:	26297.3	-	-	14482.2	1022.4	-
STAGE 3E CARRYOVER	-	-	-	14482.2	-	-
STAGE 3F	39340.2	29505.2	3734.3	25770.8	-	3997.9
STAGE 3F TOTALS:	39340.2	-	-	40253.0	-	3997.9
STAGE 3 TOTALS:	115769.9	-	-	40253.0	6160.2	3997.9

EARTHWORK SCHEDULE SUMMARY	EARTH EXCAVATION	FURNISHED EXCAVATION	EXCESS EXCAVATION TO USE ON-SITE	EXCESS EXCAVATION TO HAUL OFF-SITE	NOTES:
STAGE	CU YD	CU YD	CU YD	CU YD	
PRE-STAGE	1386.4	9221.9	0.0	0.0	-
STAGE 1	31026.9	53700.3	0.0	0.0	-
STAGE 2	41618.1	31657.8	0.0	0.0	-
PRE-STAGE 3	24980.2	0.0	17415.2	0.0	EXCESS EXCAVATION TO BE USED IN STAGE 3A
STAGE 3A	14531.3	0.0	1492.9	0.0	EXCESS EXCAVATION TO BE USED IN STAGE 3B
STAGE 3B	21483.6	21718.3	0.0	0.0	-
STAGE 3C	14117.6	5604.4	0.0	5166.3	HAUL OFF-SITE COMES FROM AGG USED IN IL 16 CROSSOVERS
STAGE 3E	26297.3	0.0	0.0	14482.2	-
STAGE 3F	39340.2	0.0	0.0	25770.8	-
STAGE 3	115769.9	27322.7	1492.9	40253.0	OVERALL TOTAL FOR STAGES 3A THROUGH 3F
PROJECT TOTALS:	214782	121903	18908	40253	-

PERIMETER EROSION BARRIER SCHEDULE - STAGES 1 & 2				PERIMETER EROSION BARRIER
FROM STATION	OFFSET	TO STATION	OFFSET	FOOT
SB I-57 - STAGE 1				
764+00	29' LT	767+35	40.6' LT	335
807+38	111.5' LT	807+84	98' LT	46
807+84	98' LT	808+10	67.3' LT	26
808+26	61' LT	808+84	87.4' LT	58
808+84	87.4' LT	813+10	87.4' LT	426
STAGE 1 TOTAL:				891
NB 57 - STAGE 2				
813+50	28.6' RT	813+95	25' RT	45
NB 57 TOTAL:				45
RAMP B - STAGE 2				
3012+17	101.1' RT	3018+00	81.5' RT	583
3018+30	88.5' RT	3019+59	71.2' RT	129
3019+77	69.4' RT	3024+72	15.6' RT	495
RAMP B TOTAL:				1207
STAGE 2 TOTAL:				1252
PROJECT TOTAL:				2143

MODEL: SCHEDULES OF QUANTITIES-10 (Sheet)
FILE NAME: c:\p\work\p\hrtz\hrtz\11085282\0774435-sheets-Schedules.dgn

USER NAME = kaleb.hirtzel	DESIGNED -	REVISED -
	DRAWN -	REVISED -
	CHECKED -	REVISED -
PLOT DATE = 8/19/2024	DATE -	REVISED -

STATE OF ILLINOIS
DEPARTMENT OF TRANSPORTATION

SCHEDULE OF QUANTITIES

SCALE: SHEET 11 OF 50 SHEETS STA. TO STA.

F.A.I. RTE.	SECTION	COUNTY	TOTAL SHEETS	SHEET NO.
57	(15-22HB-4)BR (15-22)R	COLES	1086	43
CONTRACT NO. 74435				
ILLINOIS			FED. AID PROJECT	

TEMPORARY SEEDING SCHEDULE - PRE-STAGE					TEMPORARY EROSION CONTROL SEEDING
ROUTE	STATIONING		SIDE	AREA ACRES	
	FROM	TO			POUND
NW TEMP RAMP	6002+63	6003+48	RT	0.05	19.6
NW TEMP RAMP	6000+00	6003+51	LT	0.17	66.5
NE TEMP RAMP	7000+00	7004+52	RT	0.19	77.7
NE TEMP RAMP	7001+43	7004+52	LT	0.10	38.8
SE TEMP RAMP	8001+41	8003+23	RT	0.04	14.1
SE TEMP RAMP	8000+00	8003+23	LT	0.05	21.7
SW TEMP RAMP	9000+00	9004+17	RT	0.11	44.9
SW TEMP RAMP	9001+46	9004+17	LT	0.08	30.5
EX IL 16	94+71	104+42	CL	0.27	107.1
EX IL 16	130+33	137+04	CL	0.27	107.1
EX I-57	740+41	748+59	CL	0.39	78.4
EX I-57	843+03	849+37	CL	0.30	59.6
SB 57 BOX EXT	805+99	806+71	LT	0.08	32.0
NB 57 BOX EXT	806+52	808+06	RT	0.05	21.5
SB 57 BIKE BOX	807+57	808+82	LT	0.13	52.6
NB 57 BIKE BOX	807+89	809+35	RT	0.14	55.2
PRE-STAGE TOTAL:					827.2

TEMPORARY SEEDING SCHEDULE - STAGES 1 & 2					TEMPORARY EROSION CONTROL SEEDING
ROUTE	STATIONING		SIDE	AREA ACRES	
	FROM	TO			POUND
STAGE 1					
EX RAMP D	51+31	67+04	RT	0.02	9.5
SB I-57	764+00	766+97	LT	1.32	527.3
SW INFIELD/SB I-57	779+45	788+06	LT	8.29	3318.0
NW INFIELD/SB I-57	798+19	799+15	LT	6.81	2722.2
EX RAMP F	14+06	15+78	RT	3.21	1285.4
SB I-57	805+93	813+12	LT	0.88	353.3
SB I-57	779+36	788+13	RT	0.51	204.1
SB I-57	789+18	799+42	RT	0.59	234.8
STAGE 1 TOTAL:					8654.5
STAGE 2					
RAMP C	4000+00	4006+60	RT	0.50	199.6
EX RAMP B	74+11	86+11	RT	1.85	738.7
NB 57	778+48	787+72	LT	0.37	146.6
SE INFIELD/NB 57	778+18	788+12	RT	7.27	2906.5
NE INFIELD/NB 57	789+16	798+45	RT	8.28	3310.1
NB 57	789+16	798+90	LT	0.61	243.6
EX RAMP H	796+31	800+74	RT	0.93	373.0
RAMP B	3011+98	3024+72	RT	1.21	484.6
STAGE 2 TOTAL:					8402.8

TEMPORARY SEEDING SCHEDULE - STAGE 3					TEMPORARY EROSION CONTROL SEEDING
ROUTE	STATIONING		SIDE	AREA ACRES	
	FROM	TO			POUND
STAGE 3A					
EX IL 16 MEDIAN	102+63	128+02	LT/RT	1.35	270.5
WB IL 16	106+10	111+15	LT	0.22	44.3
RAMP A	2018+50	2019+04	RT	0.61	121.5
RAMP A	2018+50	2019+78	LT	0.77	153.1
WB IL 16	111+76	114+48	LT	0.26	52.1
RAMP B	3001+41	3002+98	LT	0.44	87.8
WB IL 16	115+92	118+63	LT	0.27	53.7
RAMP B	3000+00	3003+11	RT	1.86	371.5
WB IL 16	119+24	126+52	LT	0.04	7.0
EX RAMP H	777+26	790+02	RT	1.41	281.3
WB IL 16	132+71	137+55	LT	0.80	159.5
STAGE 3A TOTAL:					1602.3
STAGE 3B					
EB IL 16	92+23	110+00	RT	1.93	385.4
EB IL 16	102+06	110+75	LT	0.47	94.7
BIKE PATH	500+00	502+39	LT	0.04	8.8
BIKE PATH	500+00	521+61	RT	1.40	280.2
RAMP D	5002+38	5011+76	LT	0.90	179.7
RAMP D	5000+00	5011+76	RT	1.61	322.8
EX RAMP D	45+47	51+31	LT/RT	1.19	238.8
RAINDROP	100+00	114+52	LT	0.24	48.3
RAINDROP	105+20	109+17	LT	0.23	45.1
BIKE PATH	522+62	524+53	LT	2.35	469.5
BIKE PATH	522+62	525+40	RT	0.35	69.3
BIKE PATH	527+39	529+70	LT	0.21	41.6
BIKE PATH	526+84	529+70	RT	0.57	114.3
EB IL 16	119+60	121+65	LT	0.11	22.2
RAMP C	4006+60	4018+31	LT	1.37	274.7
RAMP C	4006+60	4018+31	RT	3.16	631.1
BIKE PATH	530+20	556+82	LT	2.28	456.8
BIKE PATH	530+20	556+82	RT	2.50	499.8
STAGE 3B TOTAL:					4183.0
STAGE 3C					
WB IL 16	109+32	110+73	RT	0.08	16.5
WB IL 16	111+04	114+51	RT	0.22	43.5
WB IL 17	115+95	119+36	RT	0.21	62.5
WB IL 16	119+65	120+57	RT	0.05	10.4
STAGE 3C TOTAL:					132.9

TEMPORARY SEEDING SCHEDULE - STAGE 3					TEMPORARY EROSION CONTROL SEEDING
ROUTE	STATIONING		SIDE	AREA ACRES	
	FROM	TO			POUND
STAGE 3E					
WB IL 16	94+47	106+25	LT	1.11	222.0
EX RAMP F	17+01	23+39	LT/RT	2.40	480.6
RAMP A	2006+60	2017+51	LT	1.37	275.0
RAMP A	2006+60	2017+51	RT	2.62	524.8
STAGE 3E TOTAL:					1502.3
STAGE 3F					
RAMP B	3001+87	3011+98	LT	0.68	135.3
RAMP B	3001+87	3011+98	RT	2.38	475.8
EX RAMP H	786+80	794+05	LT/RT	3.30	660.3
WB IL 16	118+46	132+83	LT	2.62	523.7
STAGE 3F TOTAL:					1795.1
STAGE 3 TOTAL:					9215.5

TEMPORARY SEEDING SCHEDULE - PRE- STAGE 3					TEMPORARY EROSION CONTROL SEEDING
ROUTE	STATIONING		SIDE	AREA ACRES	
	FROM	TO			POUND
PRE-STAGE 3					
EX RAMP F (3C)	12+97	15+87	RT	0.35	69.1
EX RAMP F (3C)	15+80	22+79	LT	3.57	713.6
IL 16 MEDIAN (3C)	106+60	110+11	LT/RT	0.25	76.1
IL 16 (3E)	108+65	109+17	LT	0.09	18.6
EX RAMP D (3E)	43+08	51+28	LT	3.47	693.6
PRE-STAGE 3 TOTAL:					1571.0

MODEL: SCHEDULES OF QUANTITIES-11 (Sheet)
 FILE NAME: c:\p\work\p01\hrtz\hrtz\hrtz\hrtz\hrtz\Schedule.dgn

USER NAME = kaleb.hirtzel	DESIGNED -	REVISED -
	DRAWN -	REVISED -
	CHECKED -	REVISED -
PLOT DATE = 8/19/2024	DATE -	REVISED -

**STATE OF ILLINOIS
 DEPARTMENT OF TRANSPORTATION**

SCHEDULE OF QUANTITIES

SCALE: SHEET 12 OF 50 SHEETS STA. TO STA.

F.A.I RTE.	SECTION	COUNTY	TOTAL SHEETS	SHEET NO.
57	(15-22HB-4)BR (15-22)R	COLES	1086	44
CONTRACT NO. 74435				
ILLINOIS FED. AID PROJECT				

MODEL - SCHEDULES OF QUANTITIES-15 (Sheet)
FILE NAME: c:\p\work\hrtz\hrtz\hrtz\hrtz\hrtz\Scheds-Schedules.dgn

NEW PAVEMENT SCHEDULE STAGE 1			PROCESSING LIME STABILIZED SOIL MIXTURE 12"	LIME	POROUS GRANULAR EMBANKMENT	LONGITUDINAL JOINT SEALANT	BITUMINOUS MATERIALS (TACK COAT)	HOT-MIX ASPHALT PAVEMENT (FULL-DEPTH), 16"	HOT-MIX ASPHALT PAVEMENT (FULL-DEPTH), 10-1/2"	PAVEMENT CONNECTOR (PCC) FOR BRIDGE APPROACH SLAB	MATERIAL TRANSFER DEVICE
STATIONING		LENGTH	SQ YD	TON	TON	FOOT	POUND	SQ YD	SQ YD	SQ YD	TON
FROM	TO	FEET									
SB I-57											
760+60.00	762+00.00	140.00	-	-	-	-	-	-	-	-	-
762+00.00	764+00.00	200.00	-	-	-	-	-	-	-	-	-
764+00.00	779+35.90	1535.90	-	-	-	-	-	-	-	-	-
779+35.90	779+45.89	9.99	-	-	-	-	-	-	-	-	-
779+45.89	781+59.85	213.96	-	-	-	-	-	-	-	-	-
781+59.85	782+67.06	107.21	-	-	231.4	107.2	269.5	285.9	-	-	85.2
782+67.06	787+26.44	459.38	2365.9	59.1	-	459.4	1155.0	1225.0	-	-	365.1
787+26.44	787+41.44	15.00	104.8	2.6	-	-	-	-	-	71.7	-
787+41.44	787+71.44	30.00	-	-	-	-	-	-	-	-	-
787+71.44	789+63.44	192.00	-	-	-	-	-	-	-	-	-
789+63.44	789+93.44	30.00	-	-	-	-	-	-	-	-	-
789+93.44	790+08.44	15.00	81.7	2.0	-	-	-	-	-	76.7	-
790+08.44	793+98.00	389.56	2163.1	54.1	-	389.6	979.4	1038.8	-	-	309.6
793+98.00	795+57.47	159.47	-	-	351.6	159.5	400.9	425.3	-	-	126.7
795+57.47	799+15.14	357.67	-	-	-	-	-	-	-	-	-
799+15.14	799+41.48	26.34	-	-	-	-	-	-	-	-	-
799+41.48	801+75.29	233.81	-	-	-	-	-	-	-	-	-
801+75.29	801+81.25	5.96	-	-	-	-	-	-	-	-	-
801+81.25	807+06.00	524.75	-	-	-	-	-	-	-	-	-
807+06.00	809+42.00	236.00	1201.0	30.0	-	236.0	593.4	629.3	-	-	187.5
809+42.00	810+00.00	58.00	-	-	-	-	-	-	-	-	-
810+00.00	812+39.46	239.46	-	-	-	-	-	-	-	-	-
812+39.46	813+79.46	140.00	-	-	-	-	-	-	-	-	-
813+79.46	815+87.97	208.51	-	-	-	-	-	-	-	-	-
815+87.97	817+27.97	140.00	-	-	-	-	-	-	-	-	-
817+27.97	820+20.00	292.03	-	-	-	-	-	-	-	-	-
820+20.00	839+03.00	1883.00	-	-	-	-	-	-	-	-	-
839+03.00	839+29.00	26.00	-	-	-	-	-	-	-	-	-
839+29.00	839+40.00	11.00	-	-	-	-	-	-	-	-	-
839+40.00	839+51.00	11.00	-	-	-	-	-	-	-	-	-
839+51.00	840+69.00	118.00	-	-	-	-	-	-	-	-	-
SB I-57 TOTALS:			5916.4	147.9	583.0	1351.6	3398.2	3604.3	0.0	148.3	1074.1

NEW PAVEMENT SCHEDULE STAGE 1			PROCESSING LIME STABILIZED SOIL MIXTURE 12"	LIME	POROUS GRANULAR EMBANKMENT	LONGITUDINAL JOINT SEALANT	BITUMINOUS MATERIALS (TACK COAT)	HOT-MIX ASPHALT PAVEMENT (FULL-DEPTH), 16"	HOT-MIX ASPHALT PAVEMENT (FULL-DEPTH), 10-1/2"	PAVEMENT CONNECTOR (PCC) FOR BRIDGE APPROACH SLAB	MATERIAL TRANSFER DEVICE
STATIONING		LENGTH	SQ YD	TON	TON	FOOT	POUND	SQ YD	SQ YD	SQ YD	TON
FROM	TO	FEET									
PR RAMP A											
2000+00.00	2002+66.77	266.8	706.2	17.7	-	-	231.3	240.8	-	-	-
2002+66.77	2002+99.52	32.8	110.3	2.8	-	-	54.6	58.7	-	-	-
2002+99.52	2003+99.38	99.9	375.7	9.4	-	-	202.4	218.2	-	-	-
2003+99.38	2006+59.71	260.3	1257.6	31.4	-	-	382.3	-	462.8	-	-
PR RAMP A TOTALS:			2449.9	61.2	0.0	0.0	870.6	517.7	462.8	0.0	0.0
PR RAMP D											
5011+75.93	5015+06.00	330.1	1307.2	32.7	-	-	455.0	-	586.8	-	-
5015+06.00	5016+06.00	100.0	302.1	7.6	-	-	195.7	211.1	-	-	-
5016+06.00	5021+20.00	514.0	1202.2	30.1	-	-	692.4	734.3	-	-	-
5021+20.00	5024+55.80	335.8	524.3	13.1	-	-	166.9	162.6	-	-	-
PR RAMP D TOTALS:			3335.8	83.4	0.0	0.0	1510.1	1108.0	586.8	0.0	0.0
STAGE 1 TOTALS:			11702.0	292.6	583.0	1351.6	5779.0	5230.1	1049.6	148.3	1074.1

USER NAME = kaleb.hirtzel	DESIGNED -	REVISED -	STATE OF ILLINOIS DEPARTMENT OF TRANSPORTATION	SCHEDULE OF QUANTITIES				F.A.I RTE.	SECTION	COUNTY	TOTAL SHEETS	SHEET NO.
	DRAWN -	REVISED -		57	(15-22HB-4)BR (15-22)R	COLES	1086	48				
	CHECKED -	REVISED -		CONTRACT NO. 74435								
PLOT DATE = 8/19/2024	DATE -	REVISED -		SCALE:	SHEET 16	OF 50 SHEETS	STA.	TO STA.	ILLINOIS FED. AID PROJECT			

NEW PAVEMENT SCHEDULE STAGE 2			PROCESSING LIME STABILIZED SOIL MIXTURE 12"	LIME	POROUS GRANULAR EMBANKMENT	LONGITUDINAL JOINT SEALANT	BITUMINOUS MATERIALS (TACK COAT)	HOT-MIX ASPHALT PAVEMENT (FULL-DEPTH), 16"	HOT-MIX ASPHALT PAVEMENT (FULL-DEPTH), 10-1/2"	PAVEMENT CONNECTOR (PCC) FOR BRIDGE APPROACH SLAB	MATERIAL TRANSFER DEVICE
STATIONING		LENGTH	SQ YD	TON	TON	FOOT	POUND	SQ YD	SQ YD	SQ YD	TON
FROM	TO	FEET									
NB I-57											
760+60.00	762+00.00	140.00	-	-	-	-	-	-	-	-	-
762+00.00	767+50.00	550.00	-	-	-	-	-	-	-	-	-
767+50.00	778+17.86	1067.86	-	-	-	-	-	-	-	-	-
778+17.86	778+48.30	30.44	-	-	-	-	-	-	-	-	-
778+48.30	779+28.30	80.00	-	-	-	-	-	-	-	-	-
779+28.30	781+35.00	206.70	-	-	-	-	-	-	-	-	-
781+35.00	782+43.00	108.00	-	-	235.0	108.0	271.5	288.0	-	-	85.8
782+43.00	784+83.94	240.94	1226.1	30.7	-	240.9	605.8	642.5	-	-	191.5
784+83.94	785+05.94	22.00	128.8	3.2	-	22.0	55.3	58.7	-	-	17.5
785+05.94	787+24.37	218.43	1266.2	31.7	-	218.4	549.2	582.5	-	-	173.6
787+24.37	787+39.37	15.00	81.7	2.0	-	-	-	-	-	76.7	-
787+39.37	787+54.37	15.00	-	-	-	-	-	-	-	-	-
787+54.37	787+69.37	15.00	-	-	-	-	-	-	-	-	-
787+69.37	789+61.37	192.00	-	-	-	-	-	-	-	-	-
789+61.37	789+76.37	15.00	-	-	-	-	-	-	-	-	-
789+76.37	789+91.37	15.00	-	-	-	-	-	-	-	-	-
789+91.37	790+06.37	15.00	76.7	1.9	-	-	-	-	-	71.7	-
790+06.37	790+87.24	80.87	443.0	11.1	-	80.9	203.3	215.7	-	-	64.3
790+87.24	791+22.00	34.76	176.9	4.4	-	34.8	87.4	92.7	-	-	27.6
791+22.00	794+22.30	300.30	1528.2	38.2	-	300.3	755.0	800.8	-	-	238.6
794+22.30	795+68.00	145.70	-	-	325.5	145.7	366.3	388.5	-	-	115.8
795+68.00	798+52.77	284.77	-	-	-	-	-	-	-	-	-
798+52.77	798+90.40	37.63	-	-	-	-	-	-	-	-	-
798+90.40	800+74.10	183.70	-	-	-	-	-	-	-	-	-
800+74.10	801+36.00	61.90	-	-	-	-	-	-	-	-	-
801+36.00	801+80.50	44.50	-	-	-	-	-	-	-	-	-
801+80.50	803+87.70	207.20	-	-	-	-	-	-	-	-	-
803+87.70	807+17.00	329.30	-	-	-	-	-	-	-	-	-
807+17.00	809+53.00	236.00	1201.0	30.0	-	236.0	593.4	629.3	-	-	187.5

NEW PAVEMENT SCHEDULE STAGE 2			PROCESSING LIME STABILIZED SOIL MIXTURE 12"	LIME	POROUS GRANULAR EMBANKMENT	LONGITUDINAL JOINT SEALANT	BITUMINOUS MATERIALS (TACK COAT)	HOT-MIX ASPHALT PAVEMENT (FULL-DEPTH), 16"	HOT-MIX ASPHALT PAVEMENT (FULL-DEPTH), 10-1/2"	PAVEMENT CONNECTOR (PCC) FOR BRIDGE APPROACH SLAB	MATERIAL TRANSFER DEVICE
STATIONING		LENGTH	SQ YD	TON	TON	FOOT	POUND	SQ YD	SQ YD	SQ YD	TON
FROM	TO	FEET									
809+53.00	810+53.60	100.60	-	-	-	-	-	-	-	-	-
810+53.60	812+39.64	186.04	-	-	-	-	-	-	-	-	-
812+39.64	813+50.00	110.36	-	-	-	-	-	-	-	-	-
813+50.00	813+79.64	29.64	-	-	-	-	-	-	-	-	-
813+79.64	815+88.05	208.41	-	-	-	-	-	-	-	-	-
815+88.05	817+28.05	140.00	-	-	-	-	-	-	-	-	-
817+28.05	820+04.40	276.35	-	-	-	-	-	-	-	-	-
820+04.40	820+24.40	20.00	-	-	-	-	-	-	-	-	-
820+24.40	833+60.50	1336.10	-	-	-	-	-	-	-	-	-
833+60.50	835+80.79	220.29	-	-	-	-	-	-	-	-	-
835+80.79	836+02.79	22.00	-	-	-	-	-	-	-	-	-
836+02.79	838+65.29	262.50	-	-	-	-	-	-	-	-	-
838+65.29	839+12.00	46.71	-	-	-	-	-	-	-	-	-
839+12.00	839+29.00	17.00	-	-	-	-	-	-	-	-	-
839+29.00	839+62.00	33.00	-	-	-	-	-	-	-	-	-
839+62.00	840+69.00	107.00	-	-	-	-	-	-	-	-	-
NB I-57 TOTALS:			6128.5	153.2	560.6	1387.0	3487.2	3698.7	0.0	148.3	1102.2
PR RAMP B											
3011+97.74	3015+22.34	324.6	1448.1	36.2	-	-	470.5	-	577.1	-	-
3015+22.34	3016+40.00	117.7	417.0	10.4	-	-	184.6	265.4	-	-	-
3016+40.00	3024+72.21	832.2	3180.9	79.5	-	-	868.8	975.5	-	-	-
PR RAMP B TOTALS:			5046.0	126.2	0.0	0.0	1524.0	1240.9	577.1	0.0	0.0
PR RAMP C											
4000+00.00	4003+00.00	300.0	653.3	16.3	-	-	320.0	370.0	-	-	-
4003+00.00	4004+00.00	100.0	317.8	7.9	-	-	174.2	251.1	-	-	-
4004+00.00	4006+60.00	260.0	1094.9	27.4	-	-	419.8	-	462.2	-	-
PR RAMP C TOTALS:			2066.0	51.7	0.0	0.0	913.9	621.1	462.2	0.0	0.0
STAGE 2 TOTALS:			13240.5	331.0	560.6	1387.0	5925.1	5560.7	1039.3	148.3	1102.2

MODEL: SCHEDULES OF QUANTITIES-16 (Sheet)
FILE NAME: c:\p\work\17435\17435-sheets-schedules.dgn

USER NAME	= kaleb.hirtzel	DESIGNED	-	REVISED	-
		DRAWN	-	REVISED	-
		CHECKED	-	REVISED	-
PLOT DATE	= 8/19/2024	DATE	-	REVISED	-

**STATE OF ILLINOIS
DEPARTMENT OF TRANSPORTATION**

SCHEDULE OF QUANTITIES

SCALE: SHEET 17 OF 50 SHEETS STA. TO STA.

F.A.I	SECTION	COUNTY	TOTAL SHEETS	SHEET NO.
57	(15-22HB-4)BR (15-22)R	COLES	1086	49
CONTRACT NO. 74435				
ILLINOIS FED. AID PROJECT				

MODEL - SCHEDULES OF QUANTITIES-17 (Sheet)
FILE NAME: c:\pdx_work\pdx\hrtzet\hrtzet\10852852\071435-sheets-Schedules.dgn

NEW PAVEMENT SCHEDULE STAGE 3A			PROCESSING LIME STABILIZED SOIL MIXTURE 12"	LIME	TEMPORARY RAMP	PORTLAND CEMENT CONCRETE PAVEMENT 9" (JOINTED)	PORTLAND CEMENT CONCRETE SHOULDERS 8"	SUBBASE GRANULAR MATERIAL, TYPE C	AGGREGATE SHOULDERS, TYPE B 6"	COMBINATION CONCRETE CURB & GUTTER, TYPE B-6.24	STAMPED COLORED PCC PAVEMENT 9" (JOINTED)	COMBINATION CONCRETE CURB & GUTTER, TYPE M (SPECIAL)	CONCRETE CURB, TYPE B	
STATIONING		LENGTH												
FROM	TO	FEET												
WB IL 16														
102+18.35	102+63.35	45.00	-	-	135.0	-	-	-	-	-	-	-	-	-
102+63.35	104+72.35	209.00	807.9	20.2	-	691.8	92.9	4.5	46.4	-	-	-	-	-
104+72.35	104+80.00	7.65	37.2	0.9	-	30.4	5.9	0.3	-	-	-	-	-	-
104+80.00	106+10.00	130.00	637.7	15.9	-	520.0	101.6	4.9	-	-	-	-	-	-
106+10.00	106+69.38	59.38	322.0	8.1	-	237.5	77.2	3.8	13.2	-	-	-	-	-
106+69.38	108+13.35	143.97	719.9	18.0	-	575.9	128.0	6.2	64.0	-	-	-	-	-
108+13.35	109+41.04	127.69	653.0	16.3	-	564.7	-	-	-	246.2	-	-	-	-
109+41.04	110+80.73	139.69	1059.5	26.5	-	845.3	-	-	-	125.5	-	-	-	-
110+80.73	111+53.60	72.87	882.0	22.1	-	613.9	-	-	-	77.7	-	-	-	-
111+53.60	111+56.11	2.51	34.8	0.9	-	25.7	-	-	-	-	-	-	-	-
111+56.11	111+76.05	19.94	198.9	5.0	-	136.1	-	-	-	-	31.0	16.3	13.6	-
111+76.05	112+70.43	94.38	663.4	16.6	-	338.4	-	-	-	111.7	55.3	81.4	91.9	-
112+70.43	113+88.36	117.93	705.3	17.6	-	396.7	-	-	-	105.8	-	-	-	-
113+88.36	116+14.87	226.51	931.2	23.3	-	654.4	-	-	-	226.5	-	-	-	-
116+14.87	117+60.46	145.59	869.7	21.7	-	477.2	-	-	-	135.8	-	-	-	-
117+60.46	118+86.10	125.64	1056.2	26.4	-	533.4	-	-	-	121.5	193.6	109.5	90.3	-
118+86.10	119+01.02	14.92	219.3	5.5	-	147.4	-	-	-	21.8	30.9	12.7	8.3	-
119+01.02	120+41.08	140.06	1450.9	36.3	-	1079.4	-	-	-	104.0	-	-	-	-
120+41.08	125+45.76	504.68	2772.5	69.3	-	2425.2	-	-	-	1014.2	-	-	-	-
125+45.76	126+13.34	67.58	364.2	9.1	-	271.2	-	-	-	126.0	-	-	-	-
126+13.34	127+42.76	129.42	587.2	14.7	-	466.9	105.9	5.1	-	-	-	-	-	-
127+42.76	128+33.34	90.58	311.3	7.8	-	266.4	40.3	2.0	20.1	-	-	-	-	-
128+33.34	128+78.34	45.00	-	-	135.0	-	-	-	-	-	-	-	-	-
WB IL 16 TOTALS:			15284.3	382.1	270.0	11298.0	551.8	26.8	143.8	2416.7	310.9	219.9	204.1	-
RAINDROP														
209+16.50	209+42.50	26.0	49.1	1.2	-	49.1	-	-	-	-	-	-	-	-
217+99.50	218+33.00	33.5	63.3	1.6	-	63.3	-	-	-	-	-	-	-	-
RAINDROP TOTALS:			112.4	2.8	0.0	112.4	0.0	0.0	0.0	0.0	0.0	0.0	0.0	0.0
PR RAMP A														
2017+50.00	2018+43.19	93.2	843.6	21.1	-	721.2	-	-	-	-	-	-	-	-
2018+43.19	2020+25.70	182.5	750.3	18.8	-	527.3	202.8	9.9	81.1	350.3	-	-	-	-
PR RAMP A TOTALS:			1593.9	39.8	0.0	1248.4	202.8	9.9	81.1	350.3	0.0	0.0	0.0	0.0
PR RAMP B														
3000+69.53	3001+86.53	117.00	554.1	13.9	-	472.2	-	-	-	225.2	-	-	-	-
PR RAMP B TOTALS:			554.1	13.9	0.0	472.2	0.0	0.0	0.0	225.2	0.0	0.0	0.0	0.0
STAGE 3A TOTALS:			17544.7	438.6	270.0	13131.0	754.6	36.7	224.9	2992.2	310.9	219.9	204.1	-

USER NAME = kaleb.hirtzet	DESIGNED -	REVISED -
	DRAWN -	REVISED -
	CHECKED -	REVISED -
PLOT DATE = 8/19/2024	DATE -	REVISED -

**STATE OF ILLINOIS
DEPARTMENT OF TRANSPORTATION**

SCHEDULE OF QUANTITIES					
SCALE:	SHEET 18	OF 50	SHEETS	STA.	TO STA.

F.A.I RTE.	SECTION	COUNTY	TOTAL SHEETS	SHEET NO.
57	(15-22HB-4)BR (15-22)R	COLES	1086	50
CONTRACT NO. 74435				
		ILLINOIS	FED. AID PROJECT	

NEW PAVEMENT SCHEDULE STAGE 3B			PROCESSING LIME STABILIZED SOIL MIXTURE 12"	LIME	TEMPORARY RAMP	PORTLAND CEMENT CONCRETE PAVEMENT 9" (JOINTED)	PORTLAND CEMENT CONCRETE SHOULDERS 8"	SUBBASE GRANULAR MATERIAL, TYPE C	AGGREGATE SHOULDERS, TYPE B 6"	COMBINATION CONCRETE CURB & GUTTER, TYPE B-6,24	AGGREGATE BASE COURSE, TYPE A 12"	STAMPED COLORED PCC PAVEMENT 9" (JOINTED)	COMBINATION CONCRETE CURB & GUTTER TYPE M (SPECIAL)	CONCRETE CURB, TYPE B	CONCRETE MEDIAN SURFACE, 4 INCH	BITUMINOUS MATERIALS (TACK COAT)	LONGITUDINAL JOINT SEALANT	HOT-MIX ASPHALT PAVEMENT (FULL-DEPTH) 10 1/2"	
STATIONING		LENGTH	SQ YD	TON	SQ YD	SQ YD	SQ YD			FOOT	SQ YD	SQ YD	FOOT	FOOT	SQ FT	POUND	FOOT	SQ YD	
FROM	TO	FEET																	
EB IL 16																			
101+61.00	102+06.00	45.00	-	-	135.0	-	-	-	-	-	-	-	-	-	-	-	-	-	-
102+06.00	102+89.40	83.40	361.4	9.0	-	245.0	108.0	5.2	37.1	-	-	-	-	-	-	-	-	-	-
102+89.40	104+26.00	136.60	697.3	17.4	-	492.4	215.0	10.5	-	-	-	-	-	-	-	-	-	-	-
104+26.00	104+92.20	66.20	358.1	9.0	-	265.5	-	-	-	123.2	-	-	-	-	-	-	-	-	-
104+92.20	109+91.00	498.80	2666.3	66.7	-	2323.2	-	-	-	1002.0	-	-	-	-	-	-	-	-	-
109+91.00	111+10.30	119.30	1032.7	25.8	-	786.2	-	-	-	183.8	-	45.3	25.7	-	-	-	-	-	-
111+10.30	111+74.50	64.20	804.4	20.1	-	389.2	-	-	-	43.8	-	167.8	59.2	54.5	-	-	-	-	-
111+74.50	113+17.00	142.50	765.8	19.1	-	508.2	-	-	-	147.8	-	155.4	132.9	120.2	-	-	-	-	-
113+17.00	114+23.70	106.70	414.1	10.4	-	341.1	-	-	-	100.0	-	-	-	-	-	-	-	-	-
114+23.70	116+51.00	227.30	813.2	20.3	-	656.6	-	-	-	227.3	-	-	-	-	-	-	-	-	-
116+51.00	117+68.90	117.90	672.1	16.8	-	396.7	-	-	-	105.8	-	-	-	-	-	-	-	-	-
117+68.90	118+60.30	91.40	444.7	11.1	-	327.3	-	-	-	105.1	-	51.4	78.9	74.5	-	-	-	-	-
118+60.30	119+61.30	101.00	1161.8	29.0	-	650.0	-	-	-	78.9	-	212.9	85.1	57.9	-	-	-	-	-
119+61.30	120+33.50	72.20	513.4	12.8	-	373.7	-	-	-	143.5	-	-	-	-	-	-	-	-	-
120+33.50	122+26.00	192.50	1059.8	26.5	-	928.6	-	-	-	371.5	-	-	-	-	-	-	-	-	-
122+26.00	123+72.90	146.90	734.5	18.4	-	587.6	130.6	6.3	65.3	-	-	-	-	-	-	-	-	-	-
123+72.90	125+56.00	183.10	981.6	24.5	-	732.4	229.1	11.1	40.7	-	-	-	-	-	-	-	-	-	-
125+56.00	125+69.90	13.90	73.6	1.8	-	55.0	17.0	0.8	3.1	-	-	-	-	-	-	-	-	-	-
125+69.90	127+76.00	206.10	953.2	23.8	-	678.3	222.0	10.8	179.2	-	-	-	-	-	-	-	-	-	-
127+76.00	128+21.00	45.00	-	-	190.0	-	-	-	-	-	-	-	-	-	-	-	-	-	-
EB IL 16 TOTALS:			14508.2	362.7	325.0	10737.1	921.6	44.8	325.3	2632.7	0.0	632.8	381.8	307.1	0.0	0.0	0.0	0.0	0.0
RAINDROP																			
200+00.00	200+26.10	26.1	146.4	3.7	-	49.3	-	-	-	32.3	10.8	71.5	25.3	15.0	-	-	-	-	-
203+88.60	205+32.50	143.9	-	-	-	-	-	-	-	-	-	-	-	-	823.9	-	-	-	-
208+83.00	209+16.50	33.5	192.5	4.8	-	63.3	-	-	-	41.5	13.8	96.4	32.6	18.0	-	-	-	-	-
209+16.50	209+21.90	5.4	-	-	-	-	-	-	-	6.6	2.2	-	-	-	-	-	-	-	-
218+24.70	218+33.00	8.3	-	-	-	-	-	-	-	10.2	3.4	-	-	-	-	-	-	-	-
RAINDROP TOTALS:			338.9	8.5	0.0	112.6	0.0	0.0	0.0	90.6	30.2	167.9	57.9	33.0	823.9	0.0	0.0	0.0	0.0

MODEL: SCHEDULES OF QUANTITIES-18 (Sheet)
 FILE NAME: c:\pdx_work\hartzel\hartzel\0852852\0774435-sheets-Schedules.dgn

USER NAME = kaleb.hirtzel	DESIGNED -	REVISED -	STATE OF ILLINOIS DEPARTMENT OF TRANSPORTATION	SCHEDULE OF QUANTITIES			F.A.I RTE.	SECTION	COUNTY	TOTAL SHEETS	SHEET NO.
	DRAWN -	REVISED -		57	(15-22HB-4)BR (15-22)R	COLES	1086	51			
	CHECKED -	REVISED -		CONTRACT NO. 74435							
PLOT DATE = 8/19/2024	DATE -	REVISED -		SCALE:	SHEET 19	OF 50 SHEETS	STA.	TO STA.	ILLINOIS	FED. AID PROJECT	

NEW PAVEMENT SCHEDULE STAGE 3B			PROCESSING LIME STABILIZED SOIL MIXTURE 12"	LIME	TEMPORARY RAMP	PORTLAND CEMENT CONCRETE PAVEMENT 9" (JOINTED)	PORTLAND CEMENT CONCRETE SHOULDERS 8"	SUBBASE GRANULAR MATERIAL, TYPE C	AGGREGATE SHOULDERS, TYPE B 6"	COMBINATION CONCRETE CURB & GUTTER, TYPE B-6.24	AGGREGATE BASE COURSE, TYPE A 12"	STAMPED COLORED PCC PAVEMENT 9" (JOINTED)	COMBINATION CONCRETE CURB & GUTTER TYPE M (SPECIAL)	CONCRETE CURB, TYPE B	CONCRETE MEDIAN SURFACE, 4 INCH	BITUMINOUS MATERIALS (TACK COAT)	LONGITUDINAL JOINT SEALANT	HOT-MIX ASPHALT PAVEMENT (FULL-DEPTH) 10-1/2"
FROM	TO	LENGTH FEET	SQ YD	TON	SQ YD	SQ YD	SQ YD			FOOT	SQ YD	SQ YD	FOOT	FOOT	SQ FT	POUND	FOOT	SQ YD
PR RAMP C																		
4006+60.00	4013+99.90	739.9	2384.1	59.6	-	-	-	-	-	-	-	-	-	-	-	929.9	-	1315.4
4013+99.90	4016+39.90	240	906.7	22.7	-	-	-	-	-	-	-	-	-	-	-	391.6	240.0	560.0
4016+39.90	4017+41.00	101.1	438.1	11.0	-	-	-	-	-	-	-	-	-	-	-	202.9	101.1	292.1
4017+41.00	4018+26.50	85.5	361.0	9.0	-	247.0	95.0	4.6	38.0	-	-	-	-	-	-	-	-	-
4018+26.50	4018+55.00	28.5	102.5	2.6	-	82.3	-	-	-	45.9	-	-	-	-	-	-	-	-
4018+55.00	4019+95.30	140.3	660.5	16.5	-	565.8	-	-	-	276.5	-	-	-	-	-	-	-	-
4019+95.30	4020+08.90	13.6	82.2	2.1	-	61.1	-	-	-	27.3	-	-	-	-	-	-	-	-
PR RAMP C TOTALS:			4935.1	123.4	0.0	956.2	95.0	4.6	38.0	349.7	0.0	0.0	0.0	0.0	0.0	1524.5	341.1	2167.4
PR RAMP D																		
5000+69.50	5002+28.00	158.5	963.2	24.1	-	545.6	-	-	-	317.4	-	-	-	-	-	-	-	-
5002+28.00	5002+38.30	10.3	53.5	1.3	-	44.8	-	-	-	10.3	-	-	-	-	-	-	-	-
5002+38.30	5004+44.50	206.2	1040.2	26.0	-	-	-	-	-	-	-	-	-	-	-	529.8	206.2	743.7
5004+44.50	5006+74.50	230	1047.8	26.2	-	-	-	-	-	-	-	-	-	-	-	497.8	230.0	718.1
5006+74.50	5009+18.70	244.2	949.7	23.7	-	-	-	-	-	-	-	-	-	-	-	416.8	244.2	596.9
5009+18.70	5011+75.90	257.2	828.8	20.7	-	-	-	-	-	-	-	-	-	-	-	323.3	-	457.2
PR RAMP D TOTALS:			4883.1	122.1	0.0	590.4	0.0	0.0	0.0	327.7	0.0	0.0	0.0	0.0	0.0	1767.7	680.4	2516.0
COLES CENTER DR (WB IL 16 STA.)																		
144+05.10	144+55.10	50.0	-	-	-	-	-	-	-	52.7	-	-	-	-	-	-	-	-
COLES CENTRE DR TOTALS:			0.0	0.0	0.0	0.0	0.0	0.0	0.0	52.7	0.0	0.0	0.0	0.0	0.0	0.0	0.0	0.0
STAGE 3B TOTALS:			24665.3	616.6	325.0	12396.3	1016.6	49.4	363.3	3453.4	30.2	800.6	439.7	340.1	823.9	3292.2	1021.5	4683.5

MODEL: SCHEDULES OF QUANTITIES-19 (Sheet)
FILE NAME: c:\p\work\hrtz\hrtz\id0852852\74435-sheets-Schedules.dgn

USER NAME = kaleb.hirtzel	DESIGNED -	REVISED -	STATE OF ILLINOIS DEPARTMENT OF TRANSPORTATION	SCHEDULE OF QUANTITIES						F.A.I RTE.	SECTION	COUNTY	TOTAL SHEETS	SHEET NO.
	DRAWN -	REVISED -		57	(15-22HB-4)BR (15-22)R	COLES	1086	52						
	CHECKED -	REVISED -		CONTRACT NO. 74435										
PLOT DATE = 8/19/2024	DATE -	REVISED -		SCALE:	SHEET 20 OF 50 SHEETS	STA.	TO STA.	ILLINOIS FED. AID PROJECT						

NEW PAVEMENT SCHEDULE STAGE 3C			COMBINATION CONCRETE CURB & GUTTER, TYPE B-6.24	STAMPED COLORED PCC PAVEMENT 9" (JOINTED)	COMBINATION CONCRETE CURB & GUTTER TYPE M (SPECIAL)	CONCRETE CURB, TYPE B	AGGREGATE BASE COURSE, TYPE A 12"	CONCRETE MEDIAN SURFACE, 4 INCH
STATIONING		LENGTH	FOOT	SQ YD	FOOT	FOOT	SQ YD	SQ FT
FROM	TO	FEET	FOOT	SQ YD	FOOT	FOOT	SQ YD	SQ FT
EB IL 16								
109+41.30	110+81.60	140.30	146.9	-	-	-	50.3	-
110+81.60	112+70.30	188.70	-	-	-	-	-	-
112+70.30	117+22.30	452.00	469.5	-	-	-	160.8	-
117+22.30	117+84.50	62.20	-	4.4	66.7	41.3	20.0	-
117+84.50	119+62.30	177.80	-	-	-	-	-	-
119+62.30	120+41.10	78.80	91.8	-	-	-	31.4	-
EB IL 16 TOTALS:			708.2	4.4	66.7	41.3	262.6	0.0
RAINDROP								
209+21.90	209+42.50	20.6	25.6	-	-	-	240.3	-
217+99.50	218+24.70	25.2	31.3	-	-	-	8.8	-
209+16.50	209+98.90	82.4	-	211.1	80.1	49.9	310.2	-
212+97.50	214+41.40	143.9	-	-	-	-	-	824.4
217+31.20	218+33.00	101.8	-	274.3	98.9	60.2	10.7	-
RAINDROP TOTALS:			56.9	485.5	179.0	110.1	570.0	824.4
STAGE 3C TOTALS:			765.1	489.8	245.7	151.4	832.6	824.4

NEW PAVEMENT SCHEDULE STAGE 3E			PROCESSING LIME STABILIZED SOIL MIXTURE 12"	LIME	BITUMINOUS MATERIALS (TACK COAT)	LONGITUDINAL JOINT SEALANT	HOT-MIX ASPHALT PAVEMENT (FULL-DEPTH) 10-1/2"	PORTLAND CEMENT CONCRETE SHOULDERS 8"
STATIONING		LENGTH	SQ YD	TON	POUND	FOOT	SQ YD	SQ YD
FROM	TO	FEET	SQ YD	TON	POUND	FOOT	SQ YD	SQ YD
PR RAMP A								
2006+59.70	2013+88.70	729.0	2592.0	64.8	916.2	-	1296.0	-
2013+88.70	2014+16.70	28.0	90.2	2.3	35.2	-	49.8	-
2014+16.70	2016+56.70	240.0	906.7	22.7	391.6	240.0	560.0	-
2016+56.70	2017+50.00	93.3	404.3	10.1	187.2	93.3	269.5	-
PR RAMP A TOTALS:			3993.2	99.8	1530.3	333.3	2175.3	0.0
WB IL 16								
102+63.40	103+73.20	109.8	-	-	-	-	-	85.4
103+73.20	106+25.00	251.8	-	-	-	-	-	111.911
WB IL 16 TOTALS:			0.0	0.0	0.0	0.0	0.0	197.3
STAGE 3E TOTALS:			3993.2	99.8	1530.3	333.3	2175.3	197.3

NEW PAVEMENT SCHEDULE STAGE 3F			PROCESSING LIME STABILIZED SOIL MIXTURE 12"	LIME	BITUMINOUS MATERIALS (TACK COAT)	LONGITUDINAL JOINT SEALANT	HOT-MIX ASPHALT PAVEMENT (FULL-DEPTH) 10 1/2"	PORTLAND CEMENT CONCRETE SHOULDERS 8"
STATIONING		LENGTH	SQ YD	TON	POUND	FOOT	SQ YD	SQ YD
FROM	TO	FEET	SQ YD	TON	POUND	FOOT	SQ YD	SQ YD
PR RAMP B								
3001+86.50	3002+88.00	101.5	470.8	11.8	225.0	-	324.2	-
3002+88.00	3004+37.20	149.2	679.7	17.0	321.8	149.2	464.2	-
3004+37.20	3006+77.20	240.0	622.2	15.6	409.6	240.0	586.7	-
3006+77.20	3011+97.70	520.5	1677.2	41.9	654.2	520.5	925.3	-
PR RAMP B TOTALS:			3449.9	86.2	1610.6	909.7	2300.4	0.0
WB IL 16								
126+13.30	126+73.60	60.3	-	-	-	-	-	46.9
126+73.60	126+98.60	25.0	-	-	-	-	-	20.8
126+98.60	127+23.60	25.0	-	-	-	-	-	22.2
127+23.60	127+33.60	10.0	-	-	-	-	-	9.2
127+33.60	127+45.60	12.0	-	-	-	-	-	10.5
127+45.60	128+33.40	87.8	-	-	-	-	-	74.1
WB IL 16 TOTALS:			0.0	0.0	0.0	0.0	0.0	183.7
STAGE 3F TOTALS:			3449.9	86.2	1610.6	909.7	2300.4	183.7

LINCOLN PRAIRIE GRASS TRAIL PAVING SCHEDULE PRE-STAGE				HOT-MIX ASPHALT SURFACE COURSE, IL-9.5, MIX "C", N70
STATION		LENGTH	WIDTH	TON
TO	FROM	FEET	FEET	
100+74.75	101+14.75	40	10	
103+87.25	104+27.25	40	10	5.0
PRE-STAGE TOTALS:				10.0

MODEL - SCHEDULES OF QUANTITIES-20 (Sheet)
FILE NAME - c:\pdx_work\project\lirtz\hkt\052822\074435-sheets-Schedules.dgn

MODEL: SCHEDULES OF QUANTITIES-21 (Sheet)
FILE NAME: c:\p\work\hrtz\hrtz\hd052852\DT74435-sheets-schedules.dgn

RESURFACING SCHEDULE STAGE 1			HOT-MIX ASPHALT SURFACE REMOVAL, 1-1/2"	HOT-MIX SURFACE REMOVAL, VARIABLE DEPTH	HOT-MIX ASPHALT SURFACE REMOVAL - BUTT JOINT	LONGITUDINAL JOINT SEALANT	BITUMINOUS MATERIALS (TACK COAT)	HOT-MIX ASPHALT BINDER COURSE, IL-19.0, N90	POLYMERIZED HOT-MIX ASPHALT BINDER COURSE, IL19.0, N90	HOT-MIX ASPHALT SURFACE COURSE, IL-9.5, MIX "C", N70	POLYMERIZED HOT-MIX ASPHALT SURFACE COURSE, IL-9.5, MIX "D", N90	POLYMERIZED HOT-MIX ASPHALT SURFACE COURSE, SMA, 12.5, MIX "E", N80	MATERIAL TRANSFER DEVICE	HOT-MIX ASPHALT SHOULDERS	AGGREGATE WEDGE SHOULDERS, TYPE B
STATIONING		LENGTH	SQ YD	SQ YD	SQ YD	FOOT	POUND	TON	TON	TON	TON	TON	TON	TON	TON
FROM	TO	(FEET)													
SB I-57															
760+60.00	762+00.00	140.00	-	-	591.1	140.0	252.0	-	62.7	-	-	48.5	111.3	61.0	8.0
762+00.00	764+00.00	200.00	-	844.4	-	200.0	360.0	-	89.6	-	-	69.3	158.9	87.1	11.4
764+00.00	779+35.90	1535.90	-	6484.9	-	2817.3	2764.6	-	688.1	-	-	532.4	1220.5	191.1	43.7
779+35.90	779+45.89	9.99	-	26.6	-	10.0	24.0	3.4	4.8	-	-	3.5	8.2	-	-
779+45.89	781+59.85	213.96	-	570.6	-	214.0	1171.7	238.0	95.9	-	-	74.2	170.0	-	-
781+59.85	782+67.06	107.21	-	-	-	-	-	-	-	-	-	-	-	-	-
782+67.06	787+26.44	459.38	-	-	-	-	-	-	-	-	-	-	-	-	-
787+26.44	787+41.44	15.00	-	-	-	-	-	-	-	-	-	-	-	-	-
787+41.44	787+71.44	30.00	-	-	-	-	-	-	-	-	-	-	-	-	-
787+71.44	789+63.44	192.00	-	-	-	-	-	-	-	-	-	-	-	-	-
789+63.44	789+93.44	30.00	-	-	-	-	-	-	-	-	-	-	-	-	-
789+93.44	790+08.44	15.00	-	-	-	-	-	-	-	-	-	-	-	-	-
790+08.44	793+98.00	389.56	-	-	-	-	-	-	-	-	-	-	-	-	-
793+98.00	795+57.47	159.47	-	-	-	-	-	-	-	-	-	-	-	-	-
795+57.47	799+15.14	357.67	-	953.8	-	357.7	1810.2	388.3	160.2	-	-	124.0	284.2	-	-
799+15.14	799+41.48	26.34	-	70.2	-	26.3	63.2	8.9	13.0	-	-	9.1	22.1	-	-
799+41.48	801+28.90	187.42	583.1	-	-	187.4	337.4	-	102.7	-	-	65.0	167.7	-	-
801+28.90	801+75.29	45.60	-	144.3	-	80.9	82.1	-	27.7	-	-	16.1	43.8	-	-
801+75.29	802+85.00	110.50	-	365.7	-	219.4	198.9	-	71.0	-	-	38.0	109.1	20.5	3.1
802+85.00	805+64.00	279.00	-	930.0	-	558.0	502.2	-	130.5	-	-	96.7	227.2	52.1	7.9
805+64.00	807+06.00	142.00	-	473.3	-	284.0	255.6	54.7	63.6	-	-	49.2	112.8	-	4.0
807+06.00	809+42.00	236.00	-	-	-	-	-	-	-	-	-	-	-	-	-
809+42.00	810+00.00	58.00	-	193.3	-	116.0	104.4	21.3	26.0	-	-	20.1	46.1	10.8	1.7
810+00.00	810+96.00	96.00	-	426.7	-	96.0	172.8	32.3	43.0	-	-	33.3	76.3	47.8	2.7
810+96.00	812+39.46	143.46	-	637.6	-	143.5	258.2	-	74.1	-	-	49.7	123.9	71.4	0.2
812+39.46	813+79.46	140.00	-	-	653.3	140.0	252.0	-	62.7	-	-	48.5	111.3	69.7	-
813+79.46	815+87.97	208.51	-	-	-	-	-	-	-	-	-	-	-	-	-
815+87.97	817+27.97	140.00	-	-	653.3	140.0	252.0	-	62.7	-	-	48.5	111.3	69.7	-
817+27.97	820+20.00	292.03	1297.9	-	-	292.0	87.6	-	130.8	-	-	101.2	232.1	145.4	8.2
820+20.00	839+03.00	1883.00	7950.4	-	-	1883.0	3389.4	-	843.6	-	-	652.8	1496.4	820.2	97.6
839+03.00	839+29.00	26.00	109.8	-	-	26.0	46.8	-	11.6	-	-	9.0	20.7	11.3	1.5
839+29.00	839+40.00	11.00	-	-	46.4	11.0	19.8	-	4.9	-	-	3.8	8.7	4.8	0.3
839+40.00	839+51.00	11.00	-	-	46.4	11.0	19.8	-	4.9	-	-	3.8	8.7	5.8	0.3
839+51.00	840+69.00	118.00	-	-	498.2	118.0	212.4	-	52.9	-	-	40.9	93.8	73.4	6.7
SB I-57 TOTALS:			9941.2	12121.5	2488.9	8071.5	12637.1	746.8	2827.2	0.0	0.0	2137.8	4965.0	1742.1	197.4

USER NAME = kaleb.hirtzel		DESIGNED -	REVISED -	STATE OF ILLINOIS DEPARTMENT OF TRANSPORTATION		SCHEDULE OF QUANTITIES				F.A.I RTE.	SECTION	COUNTY	TOTAL SHEETS	SHEET NO.
DRAWN -		REVISED -	REVISED -							57	(15-22HB-4)BR (15-22)R	COLES	1086	54
CHECKED -		REVISED -	REVISED -			CONTRACT NO. 74435								
PLOT DATE = 8/19/2024		DATE -	REVISED -	SCALE:		SHEET 22	OF 50	SHEETS	STA.	TO STA.		ILLINOIS FED. AID PROJECT		

RESURFACING SCHEDULE STAGE 1			HOT-MIX ASPHALT SURFACE REMOVAL, 1-1/2"	HOT-MIX SURFRFACE REMOVAL, VARIABLE DEPTH	HOT-MIX ASPHALT SURFACE REMOVAL - BUTT JOINT	LONGITUDINAL JOINT SEALANT	BITUMINOUS MATERIALS (TACK COAT)	HOT-MIX ASPHALT BINDER COURSE, IL-19.0, N90	POLYMERIZED HOT-MIX ASPHALT BINDER COURSE, IL19.0, N90	HOT-MIX ASPHALT SURFACE COURSE, IL-9.5, MIX "C", N70	POLYMERIZED HOT-MIX ASPHALT SURFACE COURSE, IL-9.5, MIX "D", N90	POLYMERIZED HOT-MIX ASPHALT SURFACE COURSE, SMA, 12.5, MIX "E", N80	MATERIAL TRANSFER DEVICE	HOT-MIX ASPHALT SHOULDERS	AGGREGATE WEDGE SHOULDERS, TYPE B
STATIONING	LENGTH	SQ YD													
FROM	TO	(FEET)	SQ YD	SQ YD	SQ YD	FOOT	POUND	TON	TON	TON	TON	TON	TON	TON	TON
EX RAMP D (SB57 ENT.)															
53+85.00	54+59.85	74.85	-	-	249.5	-	89.8	-	22.4	-	14.9	-	-	32.6	4.3
54+59.85	57+00.00	240.15	923.4	-	-	-	438.1	-	109.0	-	72.7	-	-	74.7	6.8
EX RAMP D TOTALS:			923.4	0.0	249.5	0.0	528.0	0.0	131.4	0.0	87.6	0.0	0.0	107.3	11.1
EX RAMP F (SB57 EXIT)															
6+80.00	10+83.68	403.68	1585.0	-	-	-	780.6	-	194.3	-	129.5	-	-	125.6	11.5
10+83.68	11+60.00	76.32	-	-	254.4	-	91.6	-	22.8	-	15.2	-	-	33.2	-
EX RAMP F TOTALS:			1585.0	0.0	254.4	0.0	872.2	0.0	217.1	0.0	144.7	0.0	0.0	158.8	11.5
I-57 MEDIAN TURNAROUND															
839+03.00	839+51.00	48.00	-	171.7	-	-	115.9	28.9	-	19.2	-	-	-	-	3.5
I-57 MEDIAN TURNAROUND TOTALS:			0.0	171.7	0.0	0.0	115.9	28.9	0.0	19.2	0.0	0.0	0.0	0.0	3.5
EB IL 16															
114+20.50	114+91.00	70.5	-	-	-	-	-	-	-	-	-	-	-	-	11.2
114+91.00	115+09.00	18.0	-	-	-	-	-	-	-	-	-	-	-	-	7.1
EB IL 16 TOTALS:			0.0	0.0	0.0	0.0	0.0	0.0	0.0	0.0	0.0	0.0	0.0	0.0	18.3
WB IL 16															
114+18.00	114+86.50	68.5	-	-	-	-	-	-	-	-	-	-	-	-	10.8
114+86.50	115+06.00	19.5	-	-	-	-	-	-	-	-	-	-	-	-	7.7
WB IL 16 TOTALS:			0.0	0.0	0.0	0.0	0.0	0.0	0.0	0.0	0.0	0.0	0.0	0.0	18.5
STAGE 1 TOTALS:			12449.7	12293.3	2992.8	8071.5	14153.2	775.7	3175.6	19.2	232.3	2137.8	4965.0	2008.2	260.3

MODEL: SCHEDULES OF QUANTITIES-22 [Sheet]
FILE NAME: c:\pdx_work\pdx\hrtz\hrtz\id0652852\074435-sheets-Schedules.dgn

USER NAME = kaleb.hirtzel	DESIGNED -	REVISED -
	DRAWN -	REVISED -
	CHECKED -	REVISED -
PLOT DATE = 8/19/2024	DATE -	REVISED -

STATE OF ILLINOIS
DEPARTMENT OF TRANSPORTATION

SCHEDULE OF QUANTITIES			
SCALE:	SHEET 23	OF 50 SHEETS	STA. TO STA.

F.A.I RTE.	SECTION	COUNTY	TOTAL SHEETS	SHEET NO.
57	(15-22HB-4)BR (15-22)R	COLES	1086	55
CONTRACT NO. 74435				
ILLINOIS		FED. AID PROJECT		

RESURFACING SCHEDULE STAGE 2			HOT-MIX ASPHALT SURFACE REMOVAL, 1-1/2"	HOT-MIX SURFRFACE REMOVAL, VARIABLE DEPTH	HOT-MIX ASPHALT SURFACE REMOVAL - BUTT JOINT	LONGITUDINAL JOINT SEALANT	BITUMINOUS MATERIALS (TACK COAT)	HOT-MIX ASPHALT BINDER COURSE, IL-19.0, N90	POLYMERIZED HOT-MIX ASPHALT BINDER COURSE, IL19.0, N90	HOT-MIX ASPHALT SURFACE COURSE, IL-9.5, MIX "C", N70	POLYMERIZED HOT-MIX ASPHALT SURFACE COURSE, IL-9.5, MIX "D", N90	POLYMERIZED HOT-MIX ASPHALT SURFACE COURSE, SMA, 12.5, MIX "E", N80	MATERIAL TRANSFER DEVICE	HOT-MIX ASPHALT SHOULDERS	AGGREGATE WEDGE SHOULDERS, TYPE B
STATIONING		LENGTH	SQ YD	SQ YD	SQ YD	FOOT	POUND	TON	TON	TON	TON	TON	TON	TON	TON
FROM	TO	(FEET)													
NB I-57															
760+60.00	762+00.00	140.00	-	-	591.1	140.0	252.0	-	62.7	-	-	48.5	111.3	61.0	8.0
762+00.00	767+50.00	550.00	-	2322.2	-	550.0	990.0	-	246.4	-	-	190.7	437.1	239.6	31.3
767+50.00	778+17.86	1067.86	-	4508.7	-	1727.9	1922.1	-	478.4	-	-	370.2	848.6	132.9	30.4
778+17.86	778+48.30	30.44	-	94.7	-	30.4	54.8	-	13.6	-	-	10.6	24.2	4.5	0.9
778+48.30	779+28.30	80.00	-	213.3	-	80.0	192.0	-	43.7	-	-	27.7	71.5	-	-
779+28.30	781+35.00	206.70	-	551.2	-	206.7	25.6	227.8	92.6	-	-	71.7	164.3	-	-
781+35.00	782+43.00	108.00	-	-	-	-	-	-	-	-	-	-	-	-	-
782+43.00	784+83.94	240.94	-	-	-	-	-	-	-	-	-	-	-	-	-
784+83.94	785+05.94	22.00	-	-	-	-	-	-	-	-	-	-	-	-	-
785+05.94	787+24.37	218.43	-	-	-	-	-	-	-	-	-	-	-	-	-
787+24.37	787+39.37	15.00	-	-	-	-	-	-	-	-	-	-	-	-	-
787+39.37	787+54.37	15.00	-	-	-	-	-	-	-	-	-	-	-	-	-
787+54.37	787+69.37	15.00	-	-	-	-	-	-	-	-	-	-	-	-	-
787+69.37	789+61.37	192.00	-	-	-	-	-	-	-	-	-	-	-	-	-
789+61.37	789+76.37	15.00	-	-	-	-	-	-	-	-	-	-	-	-	-
789+76.37	789+91.37	15.00	-	-	-	-	-	-	-	-	-	-	-	-	-
789+91.37	790+06.37	15.00	-	-	-	-	-	-	-	-	-	-	-	-	-
790+06.37	790+87.24	80.87	-	-	-	-	-	-	-	-	-	-	-	-	-
790+87.24	791+22.00	34.76	-	-	-	-	-	-	-	-	-	-	-	-	-
791+22.00	794+22.30	300.30	-	-	-	-	-	-	-	-	-	-	-	-	-
794+22.30	795+68.00	145.70	-	-	-	-	-	-	-	-	-	-	-	-	-
795+68.00	798+52.77	284.77	-	759.4	-	284.8	31.5	294.3	127.6	-	-	98.7	226.3	-	-
798+52.77	798+90.40	37.63	-	100.3	-	37.6	90.3	-	19.7	-	-	13.0	32.7	-	-
798+90.40	800+74.10	183.70	-	571.5	-	183.7	330.7	-	82.3	-	-	63.7	146.0	-	-
800+74.10	801+36.00	61.90	261.4	-	-	1337.8	111.4	-	11.9	-	-	21.5	33.3	-	-
801+36.00	801+80.50	44.50	-	138.4	-	44.5	80.1	-	26.6	-	-	15.4	42.0	-	-
801+80.50	803+87.70	207.20	-	690.7	-	207.2	373.0	-	123.8	-	-	71.8	195.6	46.4	5.9
803+87.70	807+17.00	329.30	-	1097.7	-	329.3	790.3	141.1	147.5	-	-	114.2	261.7	61.5	9.4
807+17.00	809+53.00	236.00	-	-	-	-	-	-	-	-	-	-	-	-	-
809+53.00	810+53.60	100.60	-	335.3	-	100.6	241.4	34.3	45.1	-	-	34.9	79.9	18.8	102.1
810+53.60	811+23.47	69.87	-	232.9	-	69.9	125.8	-	31.3	-	-	24.2	55.5	34.7	2.0
811+23.47	811+45.47	22.00	-	73.3	-	22.0	39.6	-	9.9	-	-	7.6	17.5	20.6	-
811+45.47	812+39.36	93.89	-	313.0	-	93.9	169.0	-	42.1	-	-	32.5	74.6	14.8	-
812+39.36	813+50.00	110.64	-	-	515.0	110.6	199.2	-	-	-	-	38.4	38.4	-	-

MODEL: SCHEDULES OF QUANTITIES-23 (Sheet)
FILE NAME: c:\pdx_work\pdx\hertz\hdt052820\74435-sheets-schedules.dgn

USER NAME = kaleb.hirtzel	DESIGNED -	REVISED -
	DRAWN -	REVISED -
	CHECKED -	REVISED -
PLOT DATE = 8/19/2024	DATE -	REVISED -

**STATE OF ILLINOIS
DEPARTMENT OF TRANSPORTATION**

SCHEDULE OF QUANTITIES

SCALE: SHEET 24 OF 50 SHEETS STA. TO STA.

F.A.I RTE. 57	SECTION (15-22HB-4)BR (15-22)R	COUNTY COLES	TOTAL SHEETS 1086	SHEET NO. 56
CONTRACT NO. 74435				
ILLINOIS FED. AID PROJECT				

RESURFACING SCHEDULE STAGE 2			HOT-MIX ASPHALT SURFACE REMOVAL, 1-1/2"	HOT-MIX SURFRFACE REMOVAL, VARIABLE DEPTH	HOT-MIX ASPHALT SURFACE REMOVAL - BUTT JOINT	LONGITUDINAL JOINT SEALANT	BITUMINOUS MATERIALS (TACK COAT)	HOT-MIX ASPHALT BINDER COURSE, IL-19.0, N90	POLYMERIZED HOT-MIX ASPHALT BINDER COURSE, IL19.0, N90	HOT-MIX ASPHALT SURFACE COURSE, IL-9.5, MIX "C", N70	POLYMERIZED HOT-MIX ASPHALT SURFACE COURSE, IL-9.5, MIX "D", N90	POLYMERIZED HOT-MIX ASPHALT SURFACE COURSE, SMA, 12.5, MIX "E", N80	MATERIAL TRANSFER DEVICE	HOT-MIX ASPHALT SHOULDERS	AGGREGATE WEDGE SHOULDERS, TYPE B
STATIONING		LENGTH	SQ YD	SQ YD	SQ YD	FOOT	POUND	TON	TON	TON	TON	TON	TON	TON	TON
FROM	TO	(FEET)													
813+50.00	813+79.64	29.64	-	-	138.3	29.6	53.4	-	13.3	-	-	10.3	23.6	-	-
813+79.64	815+88.05	208.41	-	-	-	208.4	-	-	-	-	-	-	-	-	-
815+88.05	817+28.05	140.00	-	-	653.3	140.0	252.0	-	62.7	-	-	48.5	111.3	97.6	4.0
817+28.05	820+04.40	276.35	1228.2	-	-	276.3	497.4	-	123.8	-	-	95.8	219.6	220.1	7.9
820+04.40	820+24.40	20.00	88.9	-	-	20.0	36.0	-	9.0	-	-	6.9	15.9	17.9	1.1
820+24.40	833+60.50	1336.10	5641.3	-	-	1336.1	2405.0	-	598.6	-	-	463.2	1061.8	1163.9	76.1
833+60.50	835+80.79	220.29	979.1	-	-	220.3	396.5	-	98.7	-	-	76.4	175.1	301.6	12.5
835+80.79	836+02.79	22.00	97.8	-	-	22.0	39.6	-	9.9	-	-	7.6	17.5	32.9	0.6
836+02.79	838+65.29	262.50	1166.7	-	-	262.5	472.5	-	117.6	-	-	91.0	208.6	424.7	7.5
838+65.29	839+12.00	46.71	207.6	-	-	46.7	84.1	-	20.9	-	-	16.2	37.1	81.4	2.7
839+12.00	839+29.00	17.00	71.8	-	-	17.0	30.6	-	7.6	-	-	5.9	13.5	22.2	0.5
839+29.00	839+62.00	33.00	-	-	139.3	33.0	59.4	-	14.8	-	-	17.9	32.7	46.0	0.9
839+62.00	840+69.00	107.00	-	-	451.8	107.0	192.6	-	47.9	-	-	80.4	128.3	158.5	6.1
NB I-57 TOTALS:			9742.7	12002.8	2488.9	8275.9	10537.9	697.5	2729.8	0.0	0.0	2175.3	4905.1	4104.0	309.8
EX RAMP B															
74+30.50	78+16.70	386.20	1609.0	-	-	-	1086.1	-	270.3	-	180.2	-	-	120.2	11.0
78+16.70	79+57.00	140.30	-	-	467.7	-	315.7	-	78.6	-	52.4	-	-	61.1	8.0
EX RAMP B TOTALS:			1609.0	0.0	467.7	0.0	1401.8	0.0	348.9	0.0	232.6	0.0	0.0	181.3	19.0
EX RAMP H															
797+15.00	798+55.87	140.87	-	-	469.6	-	317.0	-	78.9	-	52.6	-	-	61.4	8.0
798+55.87	800+53.00	197.13	700.3	-	-	-	472.7	-	117.6	-	78.4	-	-	61.3	5.6
EX RAMP H TOTALS:			700.3	0.0	469.6	0.0	789.6	0.0	196.5	0.0	131.0	0.0	0.0	122.7	13.6
I-57 MEDIAN TURNAROUND															
839+03.00	839+51.00	48.00	90.2	-	-	-	60.9	15.1	-	10.1	-	-	-	-	1.8
I-57 MEDIAN TURNAROUND TOTALS:			90.2	0.0	0.0	0.0	60.9	15.1	0.0	10.1	0.0	0.0	0.0	0.0	1.8
EB IL 16															
114+91.00	115+64.50	73.50	-	-	-	-	-	-	-	-	-	-	-	-	11.6
EB IL 16 TOTALS:			0.0	0.0	0.0	0.0	0.0	0.0	0.0	0.0	0.0	0.0	0.0	0.0	11.6
WB IL 16															
114+86.50	115+62.00	75.50	-	-	-	-	-	-	-	-	-	-	-	-	11.9
WB IL 16 TOTALS:			0.0	0.0	0.0	0.0	0.0	0.0	0.0	0.0	0.0	0.0	0.0	0.0	11.9
STAGE 2 TOTALS:			12142.1	12002.8	3426.1	8275.9	12790.1	712.6	3275.2	10.1	363.6	2175.3	4905.1	3505.2	367.8

MODEL: SCHEDULES OF QUANTITIES-24 (Sheet)
FILE NAME: c:\pwworking\hrtzel\hrtzel\0628252\074435-sheets-schedules.dgn

USER NAME = kaleb.hirtzel	DESIGNED -	REVISED -
	DRAWN -	REVISED -
	CHECKED -	REVISED -
PLOT DATE = 8/19/2024	DATE -	REVISED -

**STATE OF ILLINOIS
DEPARTMENT OF TRANSPORTATION**

SCHEDULE OF QUANTITIES

SCALE: SHEET 25 OF 50 SHEETS STA. TO STA.

F.A.I RTE.	SECTION	COUNTY	TOTAL SHEETS	SHEET NO.
57	(15-22HB-4)BR (15-22)R	COLES	1086	57
CONTRACT NO. 74435				
ILLINOIS FED. AID PROJECT				

MODEL: SCHEDULES OF QUANTITIES-25 (Sheet)
FILE NAME: c:\p\work\hartzel\h100852852\0774435-sheets-schedules.dgn

RESURFACING SCHEDULE STAGE 3G			HOT-MIX ASPHALT SURFACE REMOVAL, 1-1/2"	HOT-MIX ASPHALT SURFACE REMOVAL - BUTT JOINT	TEMPORARY RAMP	LONGITUDINAL JOINT SEALANT	BITUMINOUS MATERIALS (TACK COAT)	POLYMERIZED HOT-MIX ASPHALT BINDER COURSE, IL19.0, N90	POLYMERIZED HOT-MIX ASPHALT SURFACE COURSE, IL-9.5, MIX "D", N90	HOT-MIX ASPHALT SHOULDERS	AGGREGATE WEDGE SHOULDERS, TYPE B
STATIONING		LENGTH	SQ YD	SQ YD	SQ YD	FOOT	POUND	TON	TON	TON	TON
FROM	TO	(FEET)									
EB IL 16											
91+75.00	92+00.00	25.0	-	88.9	46.2	25.0	45.0	6.5	7.5	4.7	0.9
92+00.00	95+96.00	396.0	1408.0	-	-	396.0	712.8	103.5	118.3	73.9	15.0
95+96.00	99+64.00	368.0	1431.1	-	-	368.0	662.4	96.2	109.9	94.5	14.0
99+64.00	102+06.00	242.0	1021.8	-	-	242.0	435.6	63.2	72.3	79.1	9.2
127+76.00	128+61.97	86.0	363.0	-	-	86.0	154.7	22.5	25.7	28.1	3.3
128+61.97	128+00.00	STA. EQU.	-	-	-	-	-	-	-	-	-
128+00.00	139+82.10	1182.1	4991.1	-	-	1182.1	2127.8	308.9	353.1	386.2	44.9
139+82.10	140+76.90	94.8	405.5	-	-	189.6	195.5	28.4	32.4	24.3	3.6
140+76.90	142+01.00	124.1	565.3	-	-	248.2	307.1	44.6	51.0	23.2	4.7
142+01.00	144+00.50	199.5	975.3	-	-	399.0	538.7	78.2	89.4	37.2	7.6
144+00.50	144+17.30	16.8	74.7	-	-	33.6	45.4	6.6	7.5	1.6	0.3
144+17.30	145+79.30	162.0	504.0	-	-	162.0	291.6	42.3	48.4	15.1	3.1
145+79.30	146+05.80	26.5	102.3	-	-	26.5	47.7	6.9	7.9	6.6	1.0
146+05.80	147+50.00	144.2	608.8	-	-	144.2	259.6	37.7	43.1	47.1	5.5
147+50.00	147+95.00	45.0	-	190.0	54.9	45.0	81.0	11.8	13.4	14.7	1.7
EB IL 16 TOTALS:			12451.0	278.9	101.1	3547.2	5904.9	857.3	979.8	836.2	114.7
WB IL 16											
91+75.00	92+00.00	25.0	-	139.9	72.7	25	80.1	11.6	13.3	4.7	0.9
92+00.00	93+39.60	139.6	677.1	-	-	139.6	353.4	51.3	59.6	32.2	5.3
93+39.60	93+65.10	25.5	107.5	-	-	25.5	45.9	6.7	7.6	7.7	1.0
93+65.10	102+63.40	898.3	3792.8	-	-	898.3	1616.9	234.8	268.3	293.4	34.1
128+33.30	128+61.97	28.7	121.1	-	-	28.67	51.6	7.5	8.6	9.4	1.1
128+61.97	128+00.00	-	-	-	-	-	-	-	-	-	-
128+00.00	147+50.00	1950.0	8233.3	-	-	1950	3510.0	509.6	582.4	637.0	74.0
147+50.00	147+95.00	45.0	-	190.0	54.9	45	81.0	11.8	13.4	14.7	1.7
WB IL 16 TOTALS:			12931.8	329.9	127.6	3112.1	5738.9	833.2	952.2	999.1	118.1
STAGE 3G TOTALS:			25382.8	608.8	228.7	6659.2	11643.7	1690.5	1932.0	1835.3	232.9

ENTRANCE SCHEDULE			TYPE	SURFACE REMOVAL, VARIABLE DEPTH (SPECIAL)	INCIDENTAL HOT- MIX ASPHALT SURFACING
STATIONING		LENGTH			
FROM	TO	(FEET)		SQ YD	TON
EB IL 16					
144+17.3	146+07.5	190.2	PRA	243.9	20.5
PROJECT TOTALS:				243.9	20.5

PCC MEDIAN SCHEDULE STAGE 3				CONCRETE MEDIAN SURFACE, 8"	COMBINATION CONCRETE CURB AND GUTTER TYPE M (SPECIAL)	CONCRETE MEDIAN, TYPE SM (DOWELLED)
LOCATION	FROM STATION	LOCATION	TO STATION			
				SQ FT	FOOT	SQ FT
STAGE 3B						
EB IL 16	109+93.5	PR RAMP D	5002+25.4	4525.2	641.1	-
PR RAMP C	4019+97.9	EB IL 16	120+30.8	1353.7	352.6	-
STAGE 3B TOTALS:				5878.8	993.7	0.0
STAGE 3D						
WB IL 16	110+08.0	PR RAMP A	2020+14.0	-	-	1559.1
PR RAMP B	3000+83.2	WB IL 16	120+66.5	-	-	2632.1
STAGE 3D TOTALS:				0.0	0.0	4191.2
STAGE 3 TOTALS:				5878.8	993.7	4191.2

PCC MEDIAN NOSE SCHEDULE - STAGE 3				STAMPED COLORED PCC MEDIAN SURFACE 6"
STATION		SIDE	SQ FT	
FROM	TO			
WB IL 16 - STAGE 3A				
118+56.6	118+62.9	LT	41.6	
STAGE 3A TOTAL:			41.6	
EB IL 16 STAGE 3B				
111+76.5	111+82.7	RT	41.6	
119+60.1	119+66.1	RT	22.5	
STAGE 3B TOTAL:			64.1	
WB IL 16 - STAGE 3C				
110+73.3	110+79.3	RT	22.5	
STAGE 3C TOTAL:			22.5	
STAGE 3 TOTAL:			128.2	

PERMANENT BARRIER WALL PRE-STAGE 3		CONCRETE BARRIER TRANSITION	CONCRETE BARRIER, DOUBLE FACE, 44" HEIGHT	CONCRETE BARRIER BASE
STATION	FOOT			
FROM	TO	FOOT	FOOT	FOOT
IL 16				
114+59.7	114+64.7	5.0	-	5.0
114+64.7	115+12.7	-	48.0	48.0
115+12.7	115+17.7	5.0	-	5.0
PRE-STAGE 3 TOTALS:		10.0	48.0	58.0

USER NAME = kaleb.hirtzel	DESIGNED -	REVISED -
	DRAWN -	REVISED -
	CHECKED -	REVISED -
PLOT DATE = 7/18/2025	DATE -	REVISED -

**STATE OF ILLINOIS
DEPARTMENT OF TRANSPORTATION**

SCHEDULE OF QUANTITIES

SCALE: SHEET 26 OF 50 SHEETS STA. TO STA.

F.A.I RTE.	SECTION	COUNTY	TOTAL SHEETS	SHEET NO.
57	(15-22HB-4)BR (15-22)R	COLES	1086	58
CONTRACT NO. 74435				
ILLINOIS FED. AID PROJECT				

PIPE UNDERDRAIN OUTLET SCHEDULE PRE-STAGE		PIPE UNDERDRAIN OUTLET EXTENSION FOR 6" PIPE	REINFORCEMENT BARS	CLASS SI CONCRETE (MISCELLANEOUS)	RODENT SHIELDS
STATION	SIDE	EACH	POUND	CU YD	EACH
I-57 CROSSOVERS					
742+00	RT	1	35.6	1.5	1
742+01	LT	1	35.6	1.5	1
746+99	LT/RT	2	71.2	3.0	2
843+69	LT	1	-	-	-
843+75	RT	1	-	-	-
847+90	LT	1	-	-	-
847+95	RT	1	-	-	-
PRE-STAGE TOTALS:		8	142.4	6.0	4

PIPE UNDERDRAIN OUTLET SCHEDULE STAGE 1		PIPE UNDERDRAINS 6" (SPECIAL)	REINFORCEMENT BARS	CLASS SI CONCRETE (MISCELLANEOUS)	RODENT SHIELDS
STATION	SIDE	FOOT	POUND	CU YD	EACH
SB I-57					
761+50.0	LT	20.0	35.6	1.5	1
761+50.0	RT	17.5	35.6	1.5	1
765+24.0	RT	16.7	35.6	1.5	1
770+24.0	RT	17.0	35.6	1.5	1
774+24.0	RT	17.6	35.6	1.5	1
777+28.0	RT	19.8	35.6	1.5	1
779+31.0	LT	51.4	-	-	-
782+28.0	LT	23.6	35.6	1.5	1
782+28.0	RT	19.0	35.6	1.5	1
790+05.0	LT	20.8	35.6	1.5	1
790+05.0	RT	21.5	35.6	1.5	1
799+46.5	LT	49.0	-	-	-
799+80.0	RT	17.0	35.6	1.5	1
802+37.0	RT	22.9	35.6	1.5	1
807+00.0	RT	23.7	35.6	1.5	1
810+50.0	LT	17.8	35.6	1.5	1
810+50.0	RT	27.7	35.6	1.5	1
813+35.0	RT	18.7	35.6	1.5	1
813+66.0	LT	26.3	35.6	1.5	1
821+00.0	LT	20.9	35.6	1.5	1
821+00.0	RT	18.6	35.6	1.5	1
826+00.0	LT	20.7	35.6	1.5	1
826+00.0	RT	20.3	35.6	1.5	1
831+00.0	LT	20.4	35.6	1.5	1
831+00.0	RT	19.8	35.6	1.5	1
836+00.0	LT	20.0	35.6	1.5	1
836+00.0	RT	18.3	35.6	1.5	1
SB I-57 TOTALS:		607.0	890.0	37.5	25
PR RAMP A					
2002+99.5	RT	16.7	35.6	1.5	1
PR RAMP A TOTALS:		16.7	35.6	1.5	1
PR RAMP D					
5011+71.0	RT	18.8	35.6	-	-
5018+32.0	RT	18.5	35.6	1.5	1
5023+32.0	RT	20.4	35.6	1.5	1
PR RAMP D TOTALS:		57.7	106.8	3.0	2
STAGE 1 TOTALS:		681.4	1032.4	42.0	28

PIPE UNDERDRAIN SCHEDULE - STAGE 2			SHOULDER REMOVAL AND REPLACEMENT	PIPE UNDERDRAINS 6" (MODIFIED)
STATIONING		SIDE	FOOT	FOOT
FROM	TO			
NB I-57				
760+60.0	767+50.0	LT/RT	1380.0	1380.0
767+50.0	778+17.9	LT	1067.9	1067.9
778+17.9	778+48.3	LT/RT	60.8	60.8
778+48.3	787+28.0	LT/RT	-	1759.4
790+05.0	798+53.0	LT/RT	-	1696.0
798+53.0	798+90.4	LT/RT	75.3	74.8
798+90.4	807+17.0	LT	826.6	826.6
807+17.0	809+53.0	LT	-	236.0
809+53.0	813+35.0	LT	382.0	382.0
810+00.0	813+35.0	RT	335.0	335.0
813+50.0	813+66.0	RT	16.0	16.0
815+98.0	840+69.0	LT/RT	4942.0	4942.0
NB I-57 TOTALS:			9085.6	12776.5
PR RAMP B				
3011+95.0	3024+72.2	RT	-	1277.2
PR RAMP B TOTALS:			0.0	1277.2
PR RAMP C				
4000+00.0	4006+60.0	RT	-	660.0
PR RAMP C TOTALS:			0.0	660.0
STAGE 2 TOTALS:			9085.6	14713.7

PIPE UNDERDRAIN OUTLET SCHEDULE STAGE 2		PIPE UNDERDRAINS 6" (SPECIAL)	REINFORCEMENT BARS	CLASS SI CONCRETE (MISCELLANEOUS)	RODENT SHIELDS
STATION	SIDE	FOOT	POUND	CU YD	EACH
NB I-57					
761+50.0	LT	14.5	35.6	1.5	1
761+50.0	RT	19.0	35.6	1.5	1
765+24.0	LT	15.4	35.6	1.5	1
765+24.0	RT	18.4	35.6	1.5	1
770+24.0	LT	16.0	35.6	1.5	1
774+24.0	LT	13.0	35.6	1.5	1
777+28.0	LT	14.0	35.6	1.5	1
778+17.9	RT	61.3	-	-	-
782+28.0	LT	15.5	35.6	1.5	1
782+28.0	RT	21.8	35.6	1.5	1
790+05.0	LT	21.0	35.6	1.5	1
790+05.0	RT	18.7	35.6	1.5	1
798+90.4	RT	45.0	-	-	-
799+80.0	LT	17.0	35.6	1.5	1
804+80.0	LT	22.0	35.6	1.5	1
809+80.0	LT	20.0	35.6	1.5	1
813+35.0	LT	18.6	35.6	1.5	1
813+66.0	RT	22.0	35.6	1.5	1
821+00.0	LT	11.7	35.6	1.5	1
821+00.0	RT	18.0	35.6	1.5	1
826+00.0	LT	17.8	35.6	1.5	1
826+00.0	RT	18.0	35.6	1.5	1
831+00.0	LT	11.6	35.6	1.5	1
831+00.0	RT	18.0	35.6	1.5	1
836+00.0	LT	14.5	35.6	1.5	1
836+00.0	RT	18.0	35.6	1.5	1
NB I-57 TOTALS:		520.8	854.4	36.0	24
PR RAMP B					
3011+92.7	RT	12.5	-	-	-
3012+02.6	RT	12.6	35.6	1.5	1
3016+02.6	RT	12.9	35.6	1.5	1
PR RAMP B TOTALS:		38.0	71.2	3.0	2
PR RAMP C					
4002+73.0	RT	15.8	35.6	1.5	1
PR RAMP C TOTALS:		15.8	35.6	1.5	1
STAGE 2 TOTALS:		574.6	961.2	40.5	27

PIPE UNDERDRAIN SCHEDULE - STAGE 1		SHOULDER REMOVAL AND REPLACEMENT	PIPE UNDERDRAINS 6" (MODIFIED)
STATIONING		SIDE	FOOT
FROM	TO		FOOT
SB I-57			
760+60.0	764+00.0	LT/RT	680.0
764+00.0	779+31.0	RT	1531.0
779+31.0	779+35.9	LT/RT	9.8
779+35.9	787+28.0	LT/RT	-
790+05.0	799+41.5	LT/RT	-
799+41.5	799+46.5	LT/RT	10.0
799+46.5	807+06.0	RT	759.5
807+06.0	809+42.0	RT	-
809+42.0	810+00.0	RT	58.0
810+00.0	813+66.0	LT	366.0
810+00.0	813+35.0	RT	335.0
815+98.0	840+69.0	LT/RT	4942.0
SB I-57 TOTALS:			8691.3
PR RAMP A			
2000+00.0	2006+60.0	LT	-
PR RAMP A TOTALS:			0.0
PR RAMP D			
5011+71.0	5024+55.8	RT	-
PR RAMP D TOTALS:			0.0
STAGE 1 TOTALS:			14329.3

MODEL: SCHEDULES OF QUANTITIES-26 (Sheet)
FILE NAME: c:\pdx_work\pdx\hrtz\hrtz\08528527\435-sheets\Schedules.dgn

USER NAME = kaleb.hirtzel	DESIGNED -	REVISED -
	DRAWN -	REVISED -
	CHECKED -	REVISED -
PLOT DATE = 7/16/2025	DATE -	REVISED -

**STATE OF ILLINOIS
DEPARTMENT OF TRANSPORTATION**

SCHEDULE OF QUANTITIES

SCALE: SHEET 27 OF 50 SHEETS STA. TO STA.

F.A.I RTE.	SECTION	COUNTY	TOTAL SHEETS	SHEET NO.
57	(15-22HB-4)BR (15-22)R	COLES	1086	59
CONTRACT NO. 74435				
ILLINOIS FED. AID PROJECT				

HMA SHOULDERS 8" SCHEDULE STAGE 3B			HOT-MIX ASPHALT SHOULDERS, 8"	SUBBASE GRANULAR MATERIAL, TYPE C	AGGREGATE SHOULDERS, TYPE B 6"
STATIONING		LENGTH			
FROM	TO	FEET	SQ YD	TON	SQ YD
EB IL 16					
95+96.0	99+64.0	368.0	408.9	-	81.8
99+64.0	102+06.0	242.0	-	-	53.8
127+76.0	128+62.0	86.0	95.5	-	19.1
128+62.0	128+00.0	STA. EQU.	-	-	-
128+00.0	135+93.5	793.5	881.7	-	176.3
EB IL 16 TOTALS:			1386.1	0.0	331.0
PR RAMP C					
4006+60.0	4013+99.9	739.9	822.1	99.9	328.8
4013+99.9	4016+39.9	240.0	266.7	32.4	106.7
4016+39.9	4017+41.0	101.1	112.3	13.7	44.9
4017+41.0	4018+26.5	85.5	-	-	-
4018+26.5	4018+55.0	28.5	-	-	-
4018+55.0	4019+95.3	140.3	-	-	-
4019+95.3	4020+08.9	13.6	-	-	-
PR RAMP C TOTALS:			1201.1	146.0	480.4
PR RAMP D					
5000+69.5	5002+28.0	158.5	-	-	-
5002+28.0	5002+38.3	10.3	-	-	-
5002+38.3	5004+44.5	206.2	229.1	27.8	91.6
5004+44.5	5006+74.5	230.0	255.6	31.1	102.2
5006+74.5	5009+18.7	244.2	271.3	33.0	108.5
5009+18.7	5011+75.9	257.2	285.8	34.7	114.3
PR RAMP D TOTALS:			1041.8	126.6	416.7
STAGE 3B TOTALS:			3629.0	272.6	1228.1

HMA SHOULDERS 8" SCHEDULE STAGE 3E			HOT-MIX ASPHALT SHOULDERS, 8"	SUBBASE GRANULAR MATERIAL, TYPE C	AGGREGATE SHOULDERS, TYPE B 6"
STATIONING		LENGTH			
FROM	TO	FEET	SQ YD	TON	SQ YD
WB IL 16					
94+46.5	102+63.4	816.9	907.7	-	181.5
WB IL 16 TOTALS:			907.7	0.0	181.5
PR RAMP A					
2006+59.7	2013+88.7	729.0	1053.0	128.0	162.0
2013+88.7	2014+16.7	28.0	31.1	3.8	12.4
2014+16.7	2016+56.7	240.0	266.7	32.4	106.7
2016+56.7	2017+50.0	93.3	103.7	12.6	41.5
PR RAMP A TOTALS:			1454.4	176.8	322.6
STAGE 3E TOTALS:			2362.1	176.8	504.1

HMA SHOULDERS 8" SCHEDULE STAGE 3F			HOT-MIX ASPHALT SHOULDERS, 8"	SUBBASE GRANULAR MATERIAL, TYPE C	AGGREGATE SHOULDERS, TYPE B 6"
STATIONING		LENGTH			
FROM	TO	FEET	SQ YD	TON	SQ YD
WB IL 16					
128+33.3	128+62.0	28.7	31.9	-	25.9
128+62.0	128+00.0	STA. EQU.	-	-	-
128+00.0	132+82.9	482.9	536.6	-	107.3
WB IL 16 TOTALS:			568.4	0.0	133.2
PR RAMP B					
3001+86.5	3002+88.0	101.5	112.8	13.7	45.1
3002+88.0	3004+37.2	149.2	165.8	20.1	66.3
3004+37.2	3006+77.2	240.0	266.7	32.4	106.7
3006+77.2	3007+33.0	55.8	62.0	7.5	24.8
3007+33.0	3007+45.0	12.0	16.0	1.9	5.3
3007+45.0	3007+80.0	35.0	54.4	6.6	15.6
3007+80.0	3008+05.0	25.0	37.5	4.6	11.1
3008+05.0	3011+97.7	392.7	567.2	68.9	174.1
PR RAMP B TOTALS:			1282.4	155.8	449.0
STAGE 3F TOTALS:			1850.8	155.8	582.1

HMA SHOULDERS 16" SCHEDULE STAGE 1			SUBBASE GRANULAR MATERIAL, TYPE C	HOT-MIX ASPHALT SHOULDERS, 16"	AGGREGATE SHOULDERS, TYPE B 6"
STATIONING		LENGTH			
FROM	TO	FEET	TON	SQ YD	SQ YD
SB I-57					
760+60.00	762+00.00	140.0	-	-	-
762+00.00	764+00.00	200.0	-	-	-
764+00.00	779+35.90	1535.9	-	-	-
779+35.90	779+45.89	10.0	7.9	17.8	2.2
779+45.89	781+59.85	214.0	169.9	380.4	95.1
781+59.85	782+67.06	107.2	-	190.6	47.6
782+67.06	786+57.46	390.4	-	694.0	173.5
786+57.46	787+26.44	69.0	-	145.6	-
787+26.44	787+41.44	15.0	-	-	-
787+41.44	787+71.44	30.0	-	-	-
787+71.44	789+63.44	192.0	-	-	-
789+63.44	789+93.44	30.0	-	-	-
789+93.44	790+08.44	15.0	-	-	-
790+08.44	791+90.98	182.5	-	446.2	-
791+90.98	792+15.98	25.0	-	63.9	-
792+15.98	792+50.98	35.0	-	93.3	-
792+50.98	792+62.99	12.0	-	29.4	-
792+62.99	793+98.00	135.0	-	240.0	60.0
793+98.00	795+57.47	159.5	-	283.5	70.9
795+57.47	799+15.14	357.7	284.3	635.9	159.0
799+15.14	799+41.48	26.3	20.9	46.8	5.9
799+41.48	801+75.29	233.8	-	155.9	52.0
801+75.29	801+81.25	6.0	-	-	-
801+81.25	807+06.00	524.8	-	-	-
807+06.00	809+42.00	236.0	-	419.6	-
809+42.00	810+00.00	58.0	-	-	-
810+00.00	812+39.46	239.5	-	-	-
812+39.46	813+79.46	140.0	-	-	-
813+79.46	815+87.97	208.5	-	-	-
815+87.97	817+27.97	140.0	-	-	-
817+27.97	820+20.00	292.0	-	-	-
820+20.00	839+03.00	1883.0	-	-	-
839+03.00	839+29.00	26.0	-	-	-
839+29.00	839+40.00	11.0	-	-	-
839+40.00	839+51.00	11.0	-	-	-
839+51.00	840+69.00	118.0	-	-	-
SB I-57 TOTALS:			483.0	3842.8	666.1

HMA SHOULDERS 16" SCHEDULE STAGE 1			SUBBASE GRANULAR MATERIAL, TYPE C	HOT-MIX ASPHALT SHOULDERS, 16"	AGGREGATE SHOULDERS, TYPE B 6"
STATIONING		LENGTH			
FROM	TO	FEET	TON	SQ YD	SQ YD
PR RAMP A					
2000+00.00	2002+66.77	266.8	-	276.8	-
2002+66.77	2002+99.52	32.8	-	-	-
2002+99.52	2003+99.38	99.9	-	-	-
2003+99.38	2006+59.71	260.3	121.4	384.2	-
PR RAMP A TOTALS:			121.4	661.0	0.0
PR RAMP D					
5011+75.93	5015+06.00	330.1	98.4	311.3	-
5015+06.00	5016+06.00	100.0	-	-	-
5016+06.00	5021+20.00	514.0	-	-	-
5021+20.00	5024+55.80	335.8	-	263.2	74.6
PR RAMP D TOTALS:			98.4	574.5	74.6
STAGE 1 TOTALS:			702.8	5078.3	740.8

MODEL: SCHEDULES OF QUANTITIES-28 (Sheet)
FILE NAME: c:\pdx_work\work\hartzel\hartzel\0852852\0774435-sheets-schedules.dgn

USER NAME =	kaleb.hirtzel
PLOT DATE =	9/26/2025

DESIGNED -	REVISIED -
DRAWN -	REVISIED -
CHECKED -	REVISIED -
DATE -	REVISIED -

**STATE OF ILLINOIS
DEPARTMENT OF TRANSPORTATION**

SCHEDULE OF QUANTITIES

SCALE: SHEET 29 OF 50 SHEETS STA. TO STA.

F.A.I RTE.	SECTION	COUNTY	TOTAL SHEETS	SHEET NO.
57	(15-22HB-4)BR (15-22)R	COLES	1086	61
CONTRACT NO. 74435				
ILLINOIS FED. AID PROJECT				

SIDEWALK SCHEDULE			PORTLAND CEMENT CONCRETE SIDEWALK 6 INCH	DETECTABLE WARNINGS
STATIONING		LENGTH		
FROM	TO	FEET	SQ FT	SQ FT
STAGE 3A - RAINDROP				
213+00.07	214+43.99	143.92	2158.8	-
STAGE 3A TOTALS:			2158.8	0.0
STAGE 3B - SHARED-USE PATH				
500+00.0	522+11.0	2211.0	22110.0	20.0
522+30.6	522+40.6	10.0	12.8	40.0
522+61.7	524+52.3	190.6	1906.0	20.0
524+52.3	525+40.2	87.9	1318.5	-
525+40.2	526+84.1	143.9	2446.3	-
526+84.1	527+38.9	54.8	822.0	-
527+38.9	529+70.0	231.1	2311.0	20.0
530+09.8	556+47.7	2637.9	26379.0	20.0
556+47.7	556+66.3	18.6	233.2	-
556+66.3	556+82.4	16.1	101.5	34.5
STAGE 3B TOTALS:			57640.3	154.5
PROJECT TOTALS:			59799.1	154.5

PCC SHOULDERS FOR TEMPORARY PAVEMENT SCHEDULE PRE-STAGE				PORTLAND CEMENT CONCRETE SHOULDERS 9"
STATIONING		LENGTH	SIDE	
FROM	TO	FEET		SQ YD
EX EB IL 16				
107+47.5	107+62.5	15.0	RT	16.0
108+02.6	108+04.6	2.0	LT	0.7
108+35.0	108+50.0	15.0	RT	16.0
109+03.5	109+33.0	29.5	LT	9.2
121+15.0	121+20.0	5.0	RT	5.0
121+44.0	121+46.0	2	LT	0.7
121+76.0	122+21.5	45.5	RT	43.0
EB IL 16 TOTALS:				90.6
EX WB IL 16				
106+84.5	107+54.0	69.5	LT	65.6
108+02.6	108+04.6	2.0	RT	0.7
108+30.0	108+35.0	5	LT	4.7
120+28.0	120+49.0	21.0	RT	7.0
121+05.0	121+15.0	10.0	LT	9.3
121+44.0	121+46.0	2.0	RT	0.6
121+88.5	122+03.5	15.0	LT	14.2
WB IL 16 TOTALS:				102.2
PRE-STAGE TOTALS:				192.7

TEMPORARY PAVEMENT SCHEDULE PRE-STAGE			AGGREGATE BASE COURSE, TYPE A 12"	PORTLAND CEMENT CONCRETE PAVEMENT 12"	WELDED WIRE REINFORCEMENT	AGGREGATE SHOULDERS, TYPE B 6"
STATIONING		LENGTH				
FROM	TO	FEET	SQ YD	SQ YD	SQ YD	SQ YD
TEMPORARY RAMPS						
6000+00.0	6003+59.1	359.1	687.1	631.5	631.5	233.4
7000+00.0	7004+62.4	462.4	963.4	862.9	862.9	191.4
8000+00.0	8003+32.3	332.3	606.6	551.2	551.2	128.2
9000+00.0	9004+26.8	426.8	905.0	809.2	809.2	173.1
TEMPORARY RAMPS TOTALS:			3162.1	2854.9	2854.9	726.1
EX IL 16: MEDIANS						
108+04.6	108+96.7	92.1	310.3	310.3	310.3	25.7
108+96.7	109+03.4	6.7	2.1	2.1	2.1	1.5
120+49.2	120+55.0	5.8	19.8	19.8	19.8	1.3
120+55.0	121+44.0	89.0	321.0	321.0	321.0	24.3
MEDIAN TOTALS:			653.3	653.3	653.3	52.8
EX IL 16: LT TURN LANES						
108+96.7	109+77.9	81.2	117.3	108.3	108.3	18.0
109+77.9	110+17.9	40.0	38.2	33.8	33.8	8.9
110+17.9	110+67.9	50.0	23.3	17.8	17.8	11.1
117+90.0	118+50.0	60.0	35.7	29.0	29.0	13.3
118+50.0	119+70.0	120.0	126.0	112.7	112.7	26.7
119+70.0	120+55.0	85.0	122.8	113.3	113.3	18.9
LT TURN LANE TOTALS:			463.3	414.8	414.8	96.9
EX RAMP F (FOR NW TEMPORARY RAMP)						
19+08.8	19+53.0	44.2	-	-	-	18.0
EX RAMP F TOTALS:			0.0	0.0	0.0	18.0
PRE-STAGE TOTALS:			4278.6	3923.0	3923.0	893.8

TEMPORARY PAVEMENT SCHEDULE STAGE 3A			AGGREGATE BASE COURSE, TYPE A	PORTLAND CEMENT CONCRETE PAVEMENT 7 1/2"
STATIONING		LENGTH		
FROM	TO	FEET	TON	SQ YD
WB IL 16				
109+41.0	110+81.6	140.6	14.0	164.3
110+82.0	119+63.0	881.0	175.2	2050.7
119+62.3	120+41.1	78.8	8.1	95.3
WB IL 16 TOTALS:			197.3	2310.3
STAGE 3A TOTALS:			197.3	2310.3

DRAINAGE REMOVALS PAVEMENT PATCHING STAGES 1 & 2				LENGTH	WIDTH	CLASS D PATCHES, TYPE II, 8 INCH
LOCATION	STATION	SIDE	FEET			
STAGE 1						
SB57 LOOP EXIT	125+83.5	RT	10	10	11.1	
SB57 EXIT	6+00.0	RT	10	10	11.1	
SB 57 EXIT	12+00.0	RT	10	10	11.1	
SB 57 EXIT	15+00.0	RT	10	10	11.1	
SB 57	792+61.0	LT	10	10	11.1	
SB 57	807+37.0	LT	10	10	11.1	
STAGE 1 TOTAL:					66.7	
STAGE 2						
NB57 LOOP EXIT	95+99.0	RT	10	10	11.1	
NB57 ENT	803+10.0	RT	10	10	11.1	
NB57	807+50.0	RT	10	10	11.1	
STAGE 2 TOTAL:					33.3	
PROJECT TOTAL:					100.0	

DRAINAGE REMOVAL PAVEMENT PATCHING PRE-STAGE 3			CLASS D PATCHES, TYPE IV, 12 INCH
LOCATION	STATION	FEET	
WB IL 16 (3B)	108+60.5	93.5	
WB IL 16 (3C)	108+60.5	85.0	
EB IL 16 (3D)	108+60.5	72.6	
EB IL 16 (3E)	108+60.5	82.4	
PRE-STAGE 3 TOTAL:			333.4

DRAINAGE REMOVALS PAVEMENT PATCHING STAGE 3A		CLASS D PATCHES, TYPE IV, 10 INCH
STATIONING	LENGTH	
FROM	TO	SQ YD
EX RAMP H		
785+29.9	786+37.1	87.5
STAGE 3A TOTAL:		87.5

PAVEMENT TRANSITION PATCHING				CLASS D PATCHES, TYPE IV, 10 INCH	SUBBASE GRANULAR MATERIAL, TYPE C	AGGREGATE BASE COURSE, TYPE A
STATIONING		SIDE				
FROM	TO	SQ YD	TON	TON		
STAGE 1 - SB I-57						
776+80.5	777+01.0	LT	68.4	8.3	-	
803+19.0	803+39.0	LT	54.3	6.6	-	
STAGE 1 TOTALS:			122.7	14.9	0.0	
STAGE 2 - NB I-57						
774+10.3	774+31.0	RT	59.3	7.2	-	
800+53.0	800+73.0	RT	63.0	7.7	-	
STAGE 2 TOTALS:			122.4	14.9	0.0	
STAGE 3A - WB IL 16						
102+63.4	105+49.3	LT	63.6	-	9.1	
126+51.1	128+33.3	LT	40.6	-	5.8	
STAGE 3A - EX RAMP H						
789+29.9	786+37	-	87.5	-	-	
STAGE 3A TOTALS:			191.7	0.0	14.8	
PROJECT TOTALS:			436.8	29.8	14.8	

DRAINAGE REMOVAL PAVEMENT PATCHING PRE-STAGE			LENGTH	WIDTH	CLASS D PATCHES, TYPE IV, 12 INCH
LOCATION	STATION	FEET			
EB IL 16	92+32.6	39.7	6.5	28.7	
WB IL 16	92+32.6	50.5	6.5	36.5	
PRE-STAGE TOTAL:					65.1

MODEL - SCHEDULES OF QUANTITIES-31 (Sheet)
FILE NAME: c:\p\work\pwr\hrtz\hrtz\1005852\2D7\4435-sheets-Schedules.dgn

USER NAME	= kaleb.hirtzel	DESIGNED	-	REVISED	-
		DRAWN	-	REVISED	-
		CHECKED	-	REVISED	-
PLOT DATE	= 9/26/2025	DATE	-	REVISED	-

**STATE OF ILLINOIS
DEPARTMENT OF TRANSPORTATION**

SCHEDULE OF QUANTITIES

SCALE: SHEET 32 OF 50 SHEETS STA. TO STA.

F.A.I R.T.E.	SECTION	COUNTY	TOTAL SHEETS	SHEET NO.
57	(15-22HB-4)BR (15-22)R	COLES	1086	64
CONTRACT NO. 74435				
ILLINOIS FED. AID PROJECT				

TEMPORARY GUARDRAIL SCHEDULE PRE-STAGE			TEMPORARY STEEL PLATE BEAM GUARDRAIL, TYPE A	TEMPORARY TRAFFIC BARRIER TERMINAL, TYPE 1	TEMPORARY TRAFFIC BARRIER TERMINAL, TYPE 2	TEMPORARY TRAFFIC BARRIER TERMINAL, TYPE 6	GUARDRAIL REFLECTORS, TYPE A	TERMINAL MARKER - DIRECT APPLIED	AGGREGATE SHOULDERS, TYPE B 6"
STATIONING		SIDE	FOOT	EACH	EACH	EACH	EACH	EACH	SQ YD
FROM	TO								
NW TEMPORARY RAMP									
6000+37.50	6000+87.80	LT	-	1	-	-	-	1	-
6000+87.80	6002+13.80	LT	125.0	-	-	-	4	-	-
6002+13.80	6002+26.50	LT	-	-	1	-	-	-	-
NW TEMPORARY RAMP TOTALS:			125.0	1	1	0	4	1	0.0
NB I-57									
789+91.53	790+29.01	LT	-	-	-	1	-	-	-
790+29.01	792+04.01	LT	175.0	-	-	-	4	-	-
792+04.01	792+54.01	LT	-	1	-	-	-	1	19.4
792+54.01	792+88.00	LT	-	-	-	-	-	-	12.4
809+11.47	809+48.95	LT	-	-	-	1	-	-	-
809+49.00	811+99.00	LT	250.0	-	-	-	4	-	-
815+66.95	816+04.43	LT	-	-	-	1	-	-	-
816+04.42	817+79.42	LT	174.0	-	-	-	4	-	-
817+79.42	818+29.42	LT	-	1	-	-	-	1	19.6
818+29.42	818+63.00	LT	-	-	-	-	-	-	12.3
NB I-57 TOTALS:			599.0	2	0	3	12	2	63.8
EB IL 16									
100+29.00	100+79.00	RT	-	1	-	-	-	1	-
100+79.00	101+54.00	RT	75.0	-	-	-	4	-	-
101+54.00	101+66.50	RT	-	-	1	-	-	-	-
EB IL 16 TOTALS:			75.0	1	1	0	4	1	0.0
PRE-STAGE TOTALS:			799.0	4	2	3	20	4	63.8

TEMPORARY GUARDRAIL SCHEDULE STAGE 1			TEMPORARY STEEL PLATE BEAM GUARDRAIL, TYPE A	TEMPORARY TRAFFIC BARRIER TERMINAL, TYPE 1	TEMPORARY TRAFFIC BARRIER TERMINAL, TYPE 6	GUARDRAIL REFLECTORS, TYPE A	TERMINAL MARKER - DIRECT APPLIED	AGGREGATE SHOULDERS, TYPE A 6"
STATIONING		SIDE	FOOT	EACH	EACH	EACH	EACH	SQ YD
FROM	TO							
SB I-57								
784+95.00	785+45.00	RT	-	1	-	-	1	-
785+45.00	787+20.00	RT	175.0	-	-	3	-	-
787+20.00	787+56.90	RT	-	-	1	1	-	-
811+02.53	811+37.40	RT	-	-	-	-	-	12.8
811+37.40	811+87.40	RT	-	1	-	-	1	18.5
811+87.40	813+62.40	RT	175.0	-	-	3	-	38.9
813+62.40	813+99.30	RT	-	-	1	1	-	3.8
STAGE 1 TOTALS:			350.0	2	2	8	2	74.0

TEMPORARY GUARDRAIL SCHEDULE STAGE 3A			TEMPORARY TRAFFIC BARRIER TERMINAL, TYPE 1	TEMPORARY TRAFFIC BARRIER TERMINAL, TYPE 6	TERMINAL MARKER - DIRECT APPLIED
STATIONING		SIDE	EACH	EACH	EACH
FROM	TO				
WB IL 16					
113+69.50	114+19.50	RT	1	-	1
114+19.50	114+55.80	RT	-	1	-
STAGE 3A TOTALS:			1	1	1

MODEL: SCHEDULES OF QUANTITIES-32 (Sheet)
FILE NAME: c:\p\work\hartzel\hartzel\0852852\074435-sheets-Schedules.dgn

USER NAME = kaleb.hirtzel	DESIGNED -	REVISED -
	DRAWN -	REVISED -
	CHECKED -	REVISED -
PLOT DATE = 8/19/2024	DATE -	REVISED -

**STATE OF ILLINOIS
DEPARTMENT OF TRANSPORTATION**

SCHEDULE OF QUANTITIES

SCALE: SHEET 33 OF 50 SHEETS STA. TO STA.

F.A.I RTE.	SECTION	COUNTY	TOTAL SHEETS	SHEET NO.
57	(15-22HB-4)BR (15-22)R	COLES	1086	65
CONTRACT NO. 74435				
ILLINOIS FED. AID PROJECT				

GUARDRAIL SCHEDULE STAGE 1			STEEL PLATE BEAM GUARDRAIL, TYPE A, 6 FOOT POSTS	TRAFFIC BARRIER TERMINAL, TYPE 1 (SPECIAL) TANGENT	TRAFFIC BARRIER TERMINAL, TYPE 2	TRAFFIC BARRIER TERMINAL, TYPE 6	GUARDRAIL REFLECTORS, TYPE A	TERMINAL MARKERS - DIRECT APPLIED
STATIONING		SIDE						
FROM	TO							
SB I-57								
786+57.5	786+70.0	LT	-	-	1	-	-	-
786+70.0	787+20.0	LT	50.0	-	-	-	2	-
787+20.0	787+56.9	LT	-	-	-	1	2	-
789+78.9	790+15.8	LT	-	-	-	1	1	-
790+15.8	791+90.8	LT	175.0	-	-	-	3	-
791+90.8	792+40.8	LT	-	1	-	-	-	1
789+78.9	790+15.8	RT	-	-	-	1	1	-
790+15.8	791+90.8	RT	175.0	-	-	-	3	-
791+90.8	792+40.8	RT	-	1	-	-	-	1
810+00.0	813+62.4	LT	362.4	-	-	-	5	-
813+62.4	813+99.3	LT	-	-	-	1	1	-
815+67.4	816+04.3	LT	-	-	-	1	1	-
816+04.3	821+16.8	LT	512.5	-	-	-	7	-
821+16.8	821+66.8	LT	-	1	-	-	-	1
815+67.4	816+04.3	RT	-	-	-	1	1	-
816+04.3	818+29.3	RT	225.0	-	-	-	3	-
818+29.3	818+79.3	RT	-	1	-	-	-	1
SB I-57 TOTAL:			1499.9	4	1	6	30	4
PR RAMP A								
2000+00.0	2006+62.8	RT	662.6	-	-	-	9	-
RAMP A TOTAL:			662.6	0	0	0	9	0
EX RAMP F								
6+67.8	7+17.8	RT	-	1	-	-	-	1
7+17.8	11+70.3	RT	450.0	-	-	-	6	-
EX RAMP F TOTAL:			450.0	1	0	0	6	1
STAGE 1 TOTAL:			2612.5	5	1	6	45	5

GUARDRAIL SCHEDULE STAGE 2			STEEL PLATE BEAM GUARDRAIL, TYPE A, 6 FOOT POSTS	TRAFFIC BARRIER TERMINAL, TYPE 1 (SPECIAL) TANGENT	TRAFFIC BARRIER TERMINAL, TYPE 2	TRAFFIC BARRIER TERMINAL, TYPE 6	GUARDRAIL REFLECTORS, TYPE A	TERMINAL MARKERS - DIRECT APPLIED
STATIONING		SIDE						
FROM	TO							
NB I-57								
785+05.9	785+55.9	LT	-	1	-	-	-	1
785+55.9	787+18.4	LT	162.5	-	-	-	3	-
787+18.4	787+55.3	LT	-	-	-	1	1	-
785+05.9	785+55.9	RT	-	1	-	-	-	1
785+55.9	787+18.4	RT	162.5	-	-	-	3	-
787+18.4	787+55.3	RT	-	-	-	1	1	-
789+75.3	790+12.2	RT	-	-	-	1	1	-
790+12.2	790+74.7	RT	62.5	-	-	-	2	-
790+74.7	790+87.2	RT	-	-	1	-	1	-
811+45.5	811+95.5	LT	-	1	-	-	-	1
811+95.5	813+58.0	LT	162.5	-	-	-	3	-
813+58.0	813+94.9	LT	-	-	-	1	1	-
813+50.0	813+58.0	RT	8.0	-	-	1	-	-
813+58.0	813+94.9	RT	-	-	-	-	1	-
815+67.5	816+04.4	RT	-	-	-	1	1	-
816+04.4	819+91.9	RT	387.5	-	-	-	5	-
819+91.9	820+04.4	RT	-	-	1	-	-	-
836+02.8	836+52.8	RT	-	1	-	-	-	1
836+52.8	838+52.8	RT	200.0	-	-	-	3	-
838+52.8	838+65.3	RT	-	-	1	-	1	-
NB I-57 TOTAL:			1145.5	4	3	6	27	4
PR RAMP B								
3012+05.2	3024+72.2	RT	1267.0	-	-	-	16	-
PR RAMP B TOTAL:			1267.0	0	0	0	16	0
STAGE 2 TOTAL:			2412.5	4	3	6	43	4

SHOULDER STABILIZATION AT GUARDRAIL SCHEDULE - STAGE 2					PORTLAND CEMENT CONCRETE SHOULDERS 6"	HOT-MIX ASPHALT SHOULDERS, 8"	SUBBASE GRANULAR MATERIAL, TYPE C
STATIONING		LENGTH	LT WIDTH	RT WIDTH			
FROM	TO						
NB I-57							
787+40.34	787+55.34	15.0	3.0	3.0	10.0	-	-
789+75.34	789+90.34	15.0	-	3.0	5.0	-	-
811+23.47	811+35.46	12.0	-	3.0	-	4.0	-
811+35.46	811+70.46	35.0	-	4.0	-	15.6	-
811+70.46	811+95.46	25.0	-	3.5	-	9.7	-
811+95.46	813+50.00	154.5	-	3.0	-	51.5	-
813+50.00	813+79.46	29.5	3.0	3.0	-	19.6	-
815+88.05	820+04.39	416.3	-	3.0	-	138.8	-
835+80.79	835+92.79	12.0	-	3.0	-	4.0	-
835+92.79	836+27.79	35.0	-	4.0	-	15.6	-
836+27.79	836+52.79	25.0	-	3.5	-	9.7	-
836+52.79	838+65.29	212.5	-	3.0	-	70.8	-
NB I-57 TOTALS:					15.0	339.3	0.0
PR RAMP B							
3016+40.00	3024+72.21	832.2	-	3.0	-	277.4	107.9
PR RAMP B TOTALS:					0.0	277.4	107.9
STAGE 2 TOTALS:					15.0	616.7	107.9

SHOULDER STABILIZATION AT GUARDRAIL SCHEDULE - STAGE 1					PORTLAND CEMENT CONCRETE SHOULDERS 6"	HOT-MIX ASPHALT SHOULDERS, 8"	SUBBASE GRANULAR MATERIAL, TYPE C
STATIONING		LENGTH	LT WIDTH	RT WIDTH			
FROM	TO						
SB I-57							
787+42.48	787+57.48	15.0	3.0	-	5.0	-	-
789+77.48	789+92.48	15.0	3.0	3.0	10.0	-	-
815+87.97	818+29.27	241.3	3.0	3.0	-	160.9	-
818+29.27	818+57.14	27.9	3.0	3.5	-	20.1	-
818+57.14	818+89.35	32.2	3.0	4.0	-	25.1	-
818+89.35	819+01.21	11.9	3.0	3.0	-	7.9	-
819+01.21	821+16.76	215.5	3.0	-	-	71.8	-

SHOULDER STABILIZATION AT GUARDRAIL SCHEDULE - STAGE 1					PORTLAND CEMENT CONCRETE SHOULDERS 6"	HOT-MIX ASPHALT SHOULDERS, 8"	SUBBASE GRANULAR MATERIAL, TYPE C
STATIONING		LENGTH	LT WIDTH	RT WIDTH			
FROM	TO						
821+16.76	821+41.76	25.0	3.5	-	-	9.7	-
821+41.76	821+76.76	35.0	4.0	-	-	15.6	-
821+76.76	821+88.77	12.0	3.0	-	-	4.0	-
SB I-57 TOTALS:					15.0	315.1	0.0
PR RAMP A							
2000+00.00	2002+66.77	266.8	-	3.0	-	88.9	34.6
PR RAMP A TOTALS:					0.0	88.9	34.6
STAGE 1 TOTALS:					15.0	404.0	34.6

MODEL: SCHEDULES OF QUANTITIES-33 (Sheet)
FILE NAME: c:\pdx_work\pdx\hrtz\hrtz\085282\074435-sheets-Schedules.dgn

USER NAME = kaleb.hirtzel	DESIGNED -	REVISED -
	DRAWN -	REVISED -
	CHECKED -	REVISED -
PLOT DATE = 9/26/2025	DATE -	REVISED -

**STATE OF ILLINOIS
DEPARTMENT OF TRANSPORTATION**

SCHEDULE OF QUANTITIES

SCALE: SHEET 34 OF 50 SHEETS STA. TO STA.

F.A.I. RTE.	SECTION	COUNTY	TOTAL SHEETS	SHEET NO.
57	(15-22HB-4)BR (15-22)R	COLES	1086	66
CONTRACT NO. 74435				
ILLINOIS FED. AID PROJECT				

GUARDRAIL SCHEDULE STAGE 3			STEEL PLATE BEAM GUARDRAIL, TYPE A, 6 FOOT POSTS	BACK SIDE PROTECTION OF GUARDRAIL	TRAFFIC BARRIER TERMINAL, TYPE 1 (SPECIAL) TANGENT	TRAFFIC BARRIER TERMINAL, TYPE 2	TRAFFIC BARRIER TERMINAL, TYPE 6	GUARDRAIL REFLECTORS, TYPE A	TERMINAL MARKERS - DIRECT APPLIED
STATIONING		SIDE							
FROM	TO			FOOT	FOOT	EACH	EACH	EACH	EACH
EB IL 16 - STAGE 3B									
103+17.3	103+67.3	LT	-	-	1	-	-	-	1
103+67.3	104+79.8	LT	112.5	-	-	-	-	4	-
104+79.8	104+92.3	LT	-	-	-	1	-	-	-
103+17.3	103+67.3	RT	-	-	1	-	-	-	1
103+67.3	104+79.8	RT	112.5	-	-	-	-	4	-
104+79.8	104+92.3	RT	-	-	-	1	-	-	-
123+94.9	124+44.9	LT	-	-	1	-	-	-	1
124+44.9	125+57.4	LT	112.5	-	-	-	-	4	-
125+57.4	125+69.9	LT	-	-	-	1	-	-	-
STAGE 3B TOTALS:			337.5	0.0	3	3	0	12	3
WB IL 16 - STAGE 3C									
104+72.4	104+84.9	RT	-	-	-	1	-	-	-
104+84.9	105+97.4	RT	112.5	-	-	-	-	4	-
105+97.4	106+47.4	RT	-	-	1	-	-	-	1
113+69.5	114+19.0	RT	-	37.5	1	-	-	-	1
114+19.0	114+55.8	RT	-	36.8	-	-	1	4	-
115+81.8	116+18.6	RT	-	36.8	-	-	1	4	-
116+18.6	116+64.9	RT	-	37.5	1	-	-	-	1
125+45.8	125+58.3	RT	-	-	-	1	-	-	-
125+58.3	126+70.8	RT	112.5	-	-	-	-	4	-
126+70.8	127+20.8	RT	-	-	1	-	-	-	1
STAGE 3C TOTALS:			225.0	148.6	4	2	2	16	4
PR RAMP A - STAGE 3E									
2006+62.8	2013+77.3	RT	725.0	-	-	-	-	9	-
2013+77.3	2013+89.8	RT	-	-	-	1	-	-	-
STAGE 3E TOTALS:			725.0	0.0	0	1	0	9	0
PR RAMP B - STAGE 3F									
3007+55.0	3008+05.0	RT	-	-	1	-	-	-	1
3008+05.0	3012+05.2	RT	400.0	-	-	-	-	5	-
PR RAMP B TOTALS:			400.0	0.0	1	0	0	5	1
WB IL 16 - STAGE 3F									
125+48.6	125+61.1	LT	-	-	-	1	-	-	-
125+61.1	126+73.5	LT	112.5	-	-	-	-	4	-
126+73.5	127+23.5	LT	-	-	1	-	-	-	1
WB IL 16 TOTALS:			112.5	0.0	1	1	0	4	1
STAGE 3F TOTALS:			512.5	0.0	2	1	0	9	2
STAGE 3 TOTALS:			1800.0	148.6	9	7	2	46	9

SHOULDER STABILIZATION AT GUARDRAIL SCHEDULE - STAGE 3					PORTLAND CEMENT CONCRETE SHOULDERS 6"
STATIONING		LENGTH	LT WIDTH	RT WIDTH	
FROM	TO	FEET	FEET	FEET	SQ YD
WB IL 16 - STAGE 3A					
125+45.70	126+13.30	67.6	3.0	3.0	45.1
WB IL 16 TOTALS:					45.1
EB IL 16 - STAGE 3B					
104+26.00	104+92.20	66.2	3.0	3.0	44.1
EB IL 16 TOTALS:					44.1
STAGE 3 TOTALS:					89.2

MODEL - SCHEDULES OF QUANTITIES-34 [Sheet]
FILE NAME: c:\pdx_work\pdx\htrize\kld0852852\74435-sheets-Schedules.dgn

USER NAME = kaleb.hirtzel
DESIGNED -
DRAWN -
CHECKED -
PLOT DATE = 8/19/2024

DESIGNED -
REVISIONS -
REVISIONS -
REVISIONS -
DATE -

REVISIO -
REVISIO -
REVISIO -
REVISIO -

STATE OF ILLINOIS
DEPARTMENT OF TRANSPORTATION

SCHEDULE OF QUANTITIES

SCALE: SHEET 35 OF 50 SHEETS STA. TO STA.

F.A.I RTE.	SECTION	COUNTY	TOTAL SHEETS	SHEET NO.
57	(15-22HB-4)BR (15-22)R	COLES	1086	67
CONTRACT NO. 74435				
ILLINOIS FED. AID PROJECT				

TEMPORARY PAVEMENT MARKING SCHEDULE STAGE 1			TEMPORARY PAVEMENT MARKING LETTERS & SYMBOLS - TYPE IV TAPE	TEMPORARY PAVEMENT MARKING - LINE 6" - TYPE IV TAPE	TEMPORARY PAVEMENT MARKING - LINE 24" - TYPE IV TAPE	SHORT-TERM PAVEMENT MARKING REMOVAL	TEMPORARY PAVEMENT MARKING - LINE 6" - PAINT	TEMPORARY PAVEMENT MARKING - LINE 8" - PAINT
STATIONING	LENGTH							
FROM	TO	FEET	SQ FT	FOOT	FOOT	SQ FT	FOOT	FOOT
EX EB IL 16								
106+44	108+55	211.0	173.6	40.0	48.0	144.8	-	-
108+55	109+33	78.0	-	172.0	-	43.0	-	-
117+90	119+71	181.0	-	181.0	-	-	-	-
119+71	120+91	120.0	94.0	246.0	44.0	-	-	-
EX EB IL 16 TOTALS:			267.6	639.0	92.0	187.8	0.0	0.0
EX WB IL 16								
105+79	107+29	150.0	-	900.0	-	225.0	-	-
107+29	107+54	25.0	-	112.5	-	28.1	-	-
107+54	108+05	51.0	-	167.5	-	41.9	-	-
108+05	108+29	24.0	-	-	-	0.0	-	-
108+29	108+61	32.0	-	64.0	96.0	112.0	-	-
108+61	109+78	117.0	188.0	768.5	-	286.1	-	-
109+78	112+34	256.0	-	1154.0	-	288.5	-	-
112+34	113+84	150.0	-	900.0	-	225.0	-	-
120+28	120+91	63.0	-	68.0	-	-	-	-
120+91	122+07	116.0	-	-	-	-	-	-
122+07	123+07	100.0	86.8	-	24.0	-	-	-
EX WB IL 16 TOTALS:			274.8	4134.5	120.0	1206.6	0.0	0.0
NE TEMPORARY RAMP								
7000+37	7001+18	81.0	-	81.0	-	-	-	-
7001+18	7004+62	344.0	-	720.0	-	-	-	-
NE TEMPORARY RAMP TOTALS:			0.0	801.0	0.0	0.0	0.0	0.0
SE TEMPORARY RAMP								
8000+36	8001+23	87.0	-	87.0	-	-	-	-
8001+23	8003+06	183.0	53.5	374.0	-	-	-	-
8003+06	8003+32	26.0	-	108.0	27.0	-	-	-
SE TEMPORARY RAMP TOTALS:			53.5	569.0	27.0	0.0	0.0	0.0
NW TEMPORARY RAMP								
6000+48	6001+30	82.0	-	164.0	-	41.0	-	-
6001+30	6003+29	199.0	107.0	796.0	-	252.5	-	-
6003+29	6003+50	21.0	-	150.0	66.0	103.5	-	-
NW TEMPORARY RAMP TOTALS:			107.0	1110.0	66.0	397.0	0.0	0.0

TEMPORARY PAVEMENT MARKING SCHEDULE STAGE 1			TEMPORARY PAVEMENT MARKING LETTERS & SYMBOLS - TYPE IV TAPE	TEMPORARY PAVEMENT MARKING - LINE 6" - TYPE IV TAPE	TEMPORARY PAVEMENT MARKING - LINE 24" - TYPE IV TAPE	SHORT-TERM PAVEMENT MARKING REMOVAL	TEMPORARY PAVEMENT MARKING - LINE 6" - PAINT	TEMPORARY PAVEMENT MARKING - LINE 8" - PAINT
STATIONING	LENGTH							
FROM	TO	FEET	SQ FT	FOOT	FOOT	SQ FT	FOOT	FOOT
SW TEMPORARY RAMP								
9000+36	9001+19	83.0	-	166.0	-	41.5	-	-
9001+19	9004+27	308.0	-	1328.0	-	332.0	-	-
SW TEMPORARY RAMP TOTALS:			0.0	1494.0	0.0	373.5	0.0	0.0
SB I-57								
760+60	766+97	637.0	-	-	-	-	1433.3	-
766+97	774+38	741.0	-	-	-	-	1111.5	-
774+38	779+45	507.0	-	-	-	-	633.8	507.0
779+45	799+15	1970.0	-	-	-	-	4432.5	-
799+15	802+99	384.0	-	-	-	-	480.0	384.0
802+99	805+93	294.0	-	-	-	-	441.0	-
805+93	840+69	3476.0	-	-	-	-	7821.0	-
SB I-57 TOTALS:			0.0	0.0	0.0	0.0	16353.0	891.0
EX RAMP F								
4+06	7+00	294.0	-	-	-	-	294.0	-
7+00	10+83	383.0	-	-	-	-	383.0	383.0
10+83	11+60	77.0	-	-	-	-	154.0	-
EX RAMP F TOTALS:			0.0	0.0	0.0	0.0	831.0	383.0
EX RAMP D								
53+85	54+60	75.0	-	-	-	-	150.0	-
54+60	59+62	502.0	-	-	-	-	502.0	502.0
59+62	67+02	740.0	-	-	-	-	740.0	-
EX RAMP D TOTALS:			0.0	0.0	0.0	0.0	1392.0	502.0
STAGE 1 TOTALS:			702.9	8747.5	305.0	2164.9	18576.0	1776.0

USER NAME = kaleb.hirtzel	DESIGNED -	REVISED -	STATE OF ILLINOIS DEPARTMENT OF TRANSPORTATION	SCHEDULE OF QUANTITIES	F.A.I RTE.	SECTION	COUNTY	TOTAL SHEETS	SHEET NO.
PLOT DATE = 8/19/2024	DRAWN -	REVISED -			57	(15-22HB-4)BR (15-22)R	COLES	1086	70
	CHECKED -	REVISED -			CONTRACT NO. 74435				
	DATE -	REVISED -			SCALE:	SHEET 38 OF 50 SHEETS	STA.	TO STA.	ILLINOIS

MODEL - SCHEDULES OF QUANTITIES-37 (Sheet)
 FILE NAME: c:\pdx_work\pdx\hrtz\hrtz\id0552852\DT74435-sheets-Schedules.dgn

TEMPORARY PAVEMENT MARKING SCHEDULE STAGE 2			TEMPORARY PAVEMENT MARKING LETTERS & SYMBOLS - TYPE IV TAPE	TEMPORARY PAVEMENT MARKING - LINE 6" - TYPE IV TAPE	TEMPORARY PAVEMENT MARKING - LINE 24" - TYPE IV TAPE	SHORT-TERM PAVEMENT MARKING REMOVAL	TEMPORARY PAVEMENT MARKING - LINE 6" - PAINT	TEMPORARY PAVEMENT MARKING - LINE 8" - PAINT
STATIONING		LENGTH	SQ FT	FOOT	FOOT	SQ FT	FOOT	FOOT
FROM	TO	FEET						
EX EB IL 16								
117+90	119+71	181.0	-	181.0	-	90.5	-	-
119+71	120+91	120.0	94.0	246.0	44.0	305.0	-	-
EX EB IL 16 TOTALS:			94.0	427.0	44.0	395.5	0.0	0.0
EX WB IL 16								
120+28	120+91	63.0	-	68.0	-	34.0	-	-
120+91	122+07	116.0	-	-	-	-	-	-
122+07	123+07	100.0	86.8	-	24.0	134.8	-	-
EX WB IL 16 TOTALS:			86.8	68.0	24.0	168.8	0.0	0.0
NE TEMPORARY RAMP								
7000+37	7001+18	81.0	-	81.0	-	40.5	-	-
7001+18	7004+62	344.0	-	720.0	-	360.0	-	-
NE TEMPORARY RAMP TOTALS:			0.0	801.0	0.0	400.5	0.0	0.0
SE TEMPORARY RAMP								
8000+36	8001+23	87.0	-	87.0	-	43.5	-	-
8001+23	8003+06	183.0	53.5	374.0	-	240.5	-	-
8003+06	8003+32	26.0	-	108.0	27.0	108.0	-	-
SE TEMPORARY RAMP TOTALS:			53.5	569.0	27.0	392.0	0.0	0.0
NB I-57								
760+60	771+27	1067.0	-	-	-	-	2400.8	-
771+27	774+56	329.0	-	-	-	-	493.5	-
774+56	778+18	362.0	-	-	-	-	452.5	362.0
778+18	798+53	2035.0	-	-	-	-	4578.8	-
798+53	801+70	317.0	-	-	-	-	396.3	317.0
801+70	807+66	596.0	-	-	-	-	894.0	-
807+66	840+69	3303.0	-	-	-	-	7431.8	-
NB I-57 TOTALS:			0.0	0.0	0.0	0.0	16647.5	679.0
EX RAMP B								
71+27	74+55	328.0	-	-	-	-	328.0	-
74+55	78+17	362.0	-	-	-	-	362.0	362.0
78+17	79+57	140.0	-	-	-	-	280.0	-
EX RAMP B TOTALS:			0.0	0.0	0.0	0.0	970.0	362.0

TEMPORARY PAVEMENT MARKING SCHEDULE STAGE 2			TEMPORARY PAVEMENT MARKING LETTERS & SYMBOLS - TYPE IV TAPE	TEMPORARY PAVEMENT MARKING - LINE 6" - TYPE IV TAPE	TEMPORARY PAVEMENT MARKING - LINE 24" - TYPE IV TAPE	SHORT-TERM PAVEMENT MARKING REMOVAL	TEMPORARY PAVEMENT MARKING - LINE 6" - PAINT	TEMPORARY PAVEMENT MARKING - LINE 8" - PAINT
STATIONING		LENGTH	SQ FT	FOOT	FOOT	SQ FT	FOOT	FOOT
FROM	TO	FEET						
EX RAMP H								
797+15	798+56	141.0	-	-	-	-	282.0	-
798+56	801+70	314.0	-	-	-	-	314.0	314.0
801+70	807+66	596.0	-	-	-	-	596.0	-
EX RAMP H TOTALS:			0.0	0.0	0.0	0.0	1192.0	314.0
SB I-57								
760+60	766+97	637.0	-	-	-	-	1433.3	-
766+97	774+38	741.0	-	-	-	-	1111.5	-
774+38	779+45	507.0	-	-	-	-	633.8	507.0
779+45	799+15	1970.0	-	-	-	-	4432.5	-
799+15	802+99	384.0	-	-	-	-	480.0	384.0
802+99	805+93	294.0	-	-	-	-	441.0	-
805+93	840+69	3476.0	-	-	-	-	7821.0	-
SB I-57 TOTALS:			0.0	0.0	0.0	0.0	16353.0	891.0
EX RAMP F								
4+06	7+00	294.0	-	-	-	-	294.0	-
7+00	10+83	383.0	-	-	-	-	383.0	383.0
10+83	11+60	77.0	-	-	-	-	154.0	-
EX RAMP F TOTALS:			0.0	0.0	0.0	0.0	831.0	383.0
EX RAMP D								
53+85	54+60	75.0	-	-	-	-	150.0	-
54+60	59+62	502.0	-	-	-	-	502.0	502.0
59+62	67+02	740.0	-	-	-	-	740.0	-
EX RAMP D TOTALS:			0.0	0.0	0.0	0.0	1392.0	502.0
STAGE 2 TOTALS:			234.3	1865.0	95.0	1356.8	37385.5	3131.0

USER NAME	= kaleb.hirtzel	DESIGNED	-	REVISED	-
DRAWN	-	REVISOR	-	REVISION	-
CHECKED	-	DATE	-		
PLOT DATE	= 8/19/2024	DATE	-	REVISED	-

**STATE OF ILLINOIS
DEPARTMENT OF TRANSPORTATION**

SCHEDULE OF QUANTITIES

SCALE: SHEET 39 OF 50 SHEETS STA. TO STA.

F.A.I. RTE.	SECTION	COUNTY	TOTAL SHEETS	SHEET NO.
57	(15-22HB-4)BR (15-22)R	COLES	1086	71
CONTRACT NO. 74435				
ILLINOIS		FED. AID PROJECT		

TEMPORARY PAVEMENT MARKING SCHEDULE STAGE 3D			TEMPORARY PAVEMENT MARKING LETTERS AND SYMBOLS - PAINT	TEMPORARY PAVEMENT MARKING - LINE 6" - PAINT	TEMPORARY PAVEMENT MARKING - LINE 8" - PAINT	TEMPORARY PAVEMENT MARKING - LINE 12" - PAINT
STATIONING		LENGTH				
FROM	TO	FEET	SQ FT	FOOT	FOOT	FOOT
WB IL 16						
102+63.4	108+13.4	550.0	-	1375.0	-	-
108+13.4	108+73.6	60.2	-	120.4	60.2	-
108+73.6	110+11.2	137.6	-	137.6	400.0	49.6
110+11.2	111+10.2	99.0	-	99.0	88.2	18.1
111+10.2	111+35.0	24.8	-	6.2	21.1	6.8
111+35.0	111+52.1	17.1	-	4.3	47.3	17.2
111+52.1	111+60.0	7.9	-	3.9	24.7	15.0
111+60.0	111+79.1	19.1	-	23.9	-	-
111+79.1	113+72.2	193.1	64.3	193.1	-	-
113+72.2	116+25.8	253.6	128.6	63.4	-	-
116+25.8	118+78.0	252.2	-	252.2	-	-
118+78.0	119+18.3	40.3	-	-	47.9	-
119+18.3	120+65.6	147.3	140.8	-	431.3	28.6
120+65.6	121+44.0	78.4	72.2	-	314.7	12.8
121+44.0	122+01.4	57.4	72.2	57.4	114.8	-
122+01.4	126+13.3	411.9	38.6	823.8	-	-
126+13.3	128+33.3	220.0	-	550.0	-	-
WB IL 16 TOTALS:			516.7	3710.2	1550.2	148.1
EB IL 16						
114+14	116+67	253.6	38.3	-	-	-
116+67	118+60	193.2	76.6	-	-	-
EB IL 16 TOTALS:			114.9	0.0	0.0	0.0
RAINDROP						
200+00.0	200+26.0	26.0	38.3	-	-	-
209+30.4	209+42.6	12.2	38.3	-	-	-
209+42.6	210+14.8	72.2	-	21.9	-	-
RAINDROP TOTALS:			76.6	21.9	0.0	0.0
PR RAMP A						
2018+43.4	2019+00.4	57.0	43.3	57.0	28.7	-
2019+00.4	2020+15.8	115.4	43.3	-	333.6	93.8
2020+15.8	2020+30.2	14.4	34.3	-	29.0	8.7
PR RAMP A TOTALS:			120.9	57.0	391.3	102.5
PR RAMP B						
3000+58.1	3000+81.5	23.4	-	-	23.4	-
3000+81.5	3001+86.5	105.0	-	-	211.3	17.1
PR RAMP B TOTALS:			0.0	0.0	234.7	17.1
STAGE 3D TOTALS:			829.1	3789.1	2176.2	267.7

TEMPORARY PAVEMENT MARKING SCHEDULE STAGE 3E			TEMPORARY PAVEMENT MARKING LETTERS AND SYMBOLS - PAINT	TEMPORARY PAVEMENT MARKING - LINE 6" - PAINT	TEMPORARY PAVEMENT MARKING - LINE 8" - PAINT
STATIONING		LENGTH			
FROM	TO	FEET	SQ FT	FOOT	FOOT
SB I-57					
799+15.0	803+40.0	425.0	-	425.0	-
803+40.0	807+00.0	360.0	-	-	360.0
807+00.0	810+00.0	300.0	-	75.0	-
SB I-57 TOTALS:			0.0	500.0	360.0
PR RAMP A					
2000+00.0	2003+00.0	300.0	-	300.0	-
2003+00.0	2006+59.7	359.7	-	359.7	360.0
2006+59.7	2014+16.7	757.0	-	1514.0	-
2014+16.7	2016+56.7	240.0	-	540.0	-
2016+56.7	2017+51.0	94.3	86.6	282.9	-
PR RAMP A TOTALS:			86.6	2996.6	360.0
STAGE 3E TOTALS:			86.6	3496.6	720.0

TEMPORARY PAVEMENT MARKING SCHEDULE STAGE 3F			TEMPORARY PAVEMENT MARKING - LINE 6" - PAINT	TEMPORARY PAVEMENT MARKING - LINE 8" - PAINT
STATIONING		LENGTH		
FROM	TO	FEET	FOOT	FOOT
NB I-57				
798+52.8	800+73.2	220.4	220.4	-
800+73.2	805+00.0	426.8	-	426.8
805+00.0	813+50.0	850.0	212.5	-
NB I-57 TOTALS:			432.9	426.8
PR RAMP B				
3001+86.5	3002+37.3	50.8	152.4	-
3002+37.3	3006+77.2	439.9	989.8	-
3006+77.2	3011+97.8	520.6	1041.2	-
3011+97.8	3016+22.4	424.6	424.6	424.6
3016+22.4	3024+72.2	849.8	1699.6	-
PR RAMP B TOTALS:			4307.6	424.6
STAGE 3F TOTALS:			4740.5	851.4

TEMPORARY PAVEMENT MARKING SCHEDULE STAGE 3G			TEMPORARY PAVEMENT MARKING LETTERS AND SYMBOLS - PAINT	TEMPORARY PAVEMENT MARKING - LINE 6" - PAINT	TEMPORARY PAVEMENT MARKING - LINE 8" - PAINT	TEMPORARY PAVEMENT MARKING - LINE 12" - PAINT
STATIONING		LENGTH				
FROM	TO	FEET	SQ FT	FOOT	FOOT	FOOT
EB IL 16						
91+75.0	102+06.0	1031.0	-	2319.8	-	-
127+76.0	128+62.0	86.0	-	193.4	-	-
128+62.0	128+00.0	STA. EQU.	-	0.0	-	-
128+00.0	142+01.0	1401.0	-	3152.3	-	-
142+01.0	144+17.3	216.3	62.4	486.7	-	-
144+17.3	146+07.5	190.2	-	237.8	129.0	71.5
146+07.5	147+95.0	187.5	-	421.9	-	-
EB IL 16 TOTALS:			62.4	6811.7	129.0	71.5
WB IL 16						
91+75.0	102+63.4	1088.4	-	2448.9	-	-
128+33.3	128+62.0	28.7	-	64.5	-	-
128+62.0	128+00.0	STA. EQU.	-	-	-	-
128+00.0	147+95.0	1995.0	-	4488.8	-	-
WB IL 16 TOTALS:			0.0	7002.2	0.0	0.0
STAGE 3G TOTALS:			62.4	13813.9	129.0	71.5

USER NAME = kaleb.hirtzel		DESIGNED -	REVISED -	STATE OF ILLINOIS DEPARTMENT OF TRANSPORTATION	SCHEDULE OF QUANTITIES			F.A.I. RTE.	SECTION	COUNTY	TOTAL SHEETS	SHEET NO.
DRAWN -		REVISOR -	REVISOR -					57	(15-22HB-4)BR (15-22)R	COLES	1086	73
CHECKED -		REVISOR -	REVISOR -					CONTRACT NO. 74435				
PLOT DATE = 9/26/2025		DATE -	REVISOR -	SCALE:		SHEET 41	OF 50	SHEETS	STA.	TO STA.	ILLINOIS	FED. AID PROJECT

**PAVEMENT MARKING
SCHEDULE
I-57 & PR RAMPS**

STATIONING			LENGTH	PREFORMED PLASTIC PAVEMENT MARKING, TYPE D - STANDARD - LINE 6"	PREFORMED PLASTIC PAVEMENT MARKING, TYPE D - STANDARD - LINE 8"	MODIFIED URETHANE PAVEMENT MARKING - LETTERS AND SYMBOLS	MODIFIED URETHANE PAVEMENT MARKING - LINE 6"	MODIFIED URETHANE PAVEMENT MARKING - LINE 8"	MODIFIED URETHANE PAVEMENT MARKING - LINE 12"	GROOVING FOR RECESSED PAVEMENT MARKING, LETTERS AND SYMBOLS	GROOVING FOR RECESSED PAVEMENT MARKING 7"	GROOVING FOR RECESSED PAVEMENT MARKING 9"	GROOVING FOR RECESSED PAVEMENT MARKING 13"	RAISED REFLECTIVE PAVEMENT MARKER
FROM	TO	FEET	FOOT	FOOT	SQ FT	FOOT	FOOT	FOOT	FOOT	SQ FT	FOOT	FOOT	FOOT	EACH
NB I-57														
760+60.0	767+50.0	690.0	1552.5	-	-	-	-	-	-	-	1552.5	-	-	17
767+50.0	770+50.0	300.0	450.0	-	-	-	-	-	-	-	450.0	-	-	8
770+50.0	774+10.0	360.0	450.0	360.0	-	-	-	-	-	-	450.0	360.0	-	9
774+10.0	800+73.2	2663.2	5992.2	-	-	-	-	-	-	-	5992.2	-	-	62
800+73.2	805+00.0	426.8	533.5	426.8	-	-	-	-	-	-	533.5	426.8	-	11
805+00.0	813+50.0	850.0	1275.0	-	-	-	-	-	-	-	1275.0	-	-	21
813+50.0	840+69.0	2719.0	6117.8	-	-	-	-	-	-	-	6117.8	-	-	63
NB I-57 TOTALS:			16371.0	786.8	0.0	0.0	0.0	0.0	0.0	16371.0	786.8	0.0	0.0	190
SB I-57														
760+60.0	764+00.0	340.0	765.0	-	-	-	-	-	-	-	765.0	-	-	9
764+00.0	772+50.0	850.0	1275.0	-	-	-	-	-	-	-	1275.0	-	-	21
772+50.0	776+82.3	432.3	540.4	432.3	-	-	-	-	-	-	540.4	432.3	-	11
776+82.3	803+40.0	2657.7	5979.8	-	-	-	-	-	-	-	5979.8	-	-	62
803+40.0	807+00.0	360.0	450.0	360.0	-	-	-	-	-	-	450.0	360.0	-	9
807+00.0	810+00.0	300.0	450.0	-	-	-	-	-	-	-	450.0	-	-	8
810+00.0	840+69.0	3069.0	6905.3	-	-	-	-	-	-	-	6905.3	-	-	72
SB I-57 TOTALS:			16365.5	792.3	0.0	0.0	0.0	0.0	0.0	16365.5	792.3	0.0	0.0	190
PR RAMP A														
2000+00.0	2003+00.0	300.0	300.0	-	-	-	-	-	-	24.3	300.0	-	-	-
2003+00.0	2006+59.7	359.7	359.7	359.7	-	-	-	-	-	-	359.7	359.7	-	-
2006+59.7	2014+16.7	757.0	1514.0	-	24.3	-	-	-	-	-	1514.0	-	-	-
2014+16.7	2016+56.7	240.0	540.0	-	-	-	-	-	-	-	540.0	-	-	-
2016+56.7	2018+43.4	186.7	560.1	-	86.6	-	-	-	-	86.6	560.1	-	-	-
2018+43.4	2019+00.4	57.0	-	-	43.3	57.0	28.7	-	-	43.3	57.0	28.7	-	-
2019+00.4	2020+15.8	115.4	-	-	23.3	-	333.6	93.8	-	23.3	-	333.6	93.8	-
2020+15.8	2020+30.2	14.4	-	-	34.3	-	29.0	8.7	-	34.3	-	29.0	8.7	-
PR RAMP A TOTALS:			3273.8	359.7	211.8	57.0	391.3	102.5	211.8	3330.8	751.0	102.5	0	0
PR RAMP B														
3000+58.1	3000+81.5	23.4	-	-	-	-	23.4	-	-	-	-	23.4	-	-
3000+81.5	3001+86.5	105.0	-	-	-	-	211.3	17.1	-	-	-	211.3	17.1	-
3001+86.5	3002+37.3	50.8	152.4	-	-	-	-	-	-	-	152.4	-	-	-
3002+37.3	3006+77.2	439.9	989.8	-	-	-	-	-	-	-	989.8	-	-	-
3006+77.2	3011+97.7	520.5	1041.0	-	-	-	-	-	-	-	1041.0	-	-	-
3011+97.7	3016+22.4	424.7	424.7	424.7	-	-	-	-	-	-	424.7	424.7	-	-
3016+22.4	3024+72.2	849.8	849.8	-	-	-	-	-	-	-	849.8	-	-	-
PR RAMP B TOTALS:			3457.7	424.7	0.0	0.0	234.7	17.1	0.0	3457.7	659.4	17.1	0	0
PR RAMP C														
4000+00.0	4003+00.0	300.0	300.0	-	-	-	-	-	-	-	300.0	-	-	-
4003+00.0	4006+60.0	360.0	360.0	360.0	-	-	-	-	-	-	360.0	360.0	-	-
4006+60.0	4014+00.0	740.0	1480.0	-	24.3	-	-	-	-	24.3	1480.0	-	-	-
4014+00.0	4016+39.9	239.9	540.0	-	-	-	-	-	-	-	540.0	-	-	-
4016+39.9	4018+26.5	186.6	559.5	-	129.9	-	-	-	-	129.9	559.5	-	-	-
4018+26.5	4018+83.6	57.1	-	-	-	57.1	-	-	-	-	57.1	0.0	-	-
4018+83.6	4019+99.0	115.4	-	-	108.9	-	333.6	221.6	-	108.9	-	333.6	221.6	-
4019+99.0	4020+36.2	37.2	-	-	12.0	-	75.6	22.9	-	12.0	-	75.6	22.9	-
PR RAMP C TOTALS:			3239.5	360.0	275.1	57.1	409.2	244.5	275.1	3296.6	769.2	244.5	0	0
PR RAMP D														
5000+49.4	5002+23.4	174.0	-	-	-	-	174.0	110.0	-	-	-	174.0	110.0	-
5002+23.4	5002+38.8	15.4	-	-	-	-	30.8	63.6	-	-	-	30.8	63.6	-
5002+38.8	5004+58.7	219.9	-	-	-	-	440.1	-	-	-	-	440.1	-	-
5004+58.7	5009+18.7	460.0	1035.0	-	-	-	-	-	-	-	1035.0	-	-	-
5009+18.7	5011+75.9	257.2	514.6	-	-	-	-	-	-	-	514.6	-	-	-
5011+75.9	5016+06.0	430.0	430.0	430.0	-	-	-	-	-	-	430.0	430.0	-	-
5016+06.0	5024+55.8	849.8	849.8	-	-	-	-	-	-	-	849.8	-	-	-
PR RAMP D TOTALS:			2829.4	430.0	0.0	0.0	644.9	173.6	0.0	2829.4	1074.9	173.6	0	0
I-57 & RAMPS TOTALS:			45536.8	3153.5	486.9	114.1	1680.1	537.7	486.9	45650.9	4833.6	537.7	381	0

MODEL: SCHEDULES OF QUANTITIES-A0 (Sheet)
FILE NAME: c:\p\work\hartzel\hartzel\0852852\0774435-sheets-Schedules.dgn

USER NAME = kaleb.hirtzel	DESIGNED -	REVISED -
	DRAWN -	REVISED -
	CHECKED -	REVISED -
PLOT DATE = 3/7/2026	DATE -	REVISED -

STATE OF ILLINOIS DEPARTMENT OF TRANSPORTATION	
---	--

SCHEDULE OF QUANTITIES		
SCALE:	SHEET 42 OF 50 SHEETS	STA. TO STA.

F.A.I RTE. 57	SECTION (15-22HB-4)BR (15-22)R	COUNTY COLES	TOTAL SHEETS 1086	SHEET NO. 74
CONTRACT NO. 74435				
ILLINOIS		FED. AID PROJECT		

PERMANENT SIGNS SCHEDULE - PR I-57 EXIT RAMPS				SIGN PANEL - TYPE 1	SIGN PANEL - TYPE 2	SIGN PANEL - TYPE 3	TELESCOPING STEEL SIGN SUPPORT	WOOD SIGN SUPPORT	STRUCTURAL STEEL SIGN SUPPORTS - BREAKAWAY	CONCRETE FOUNDATIONS	
STATION	SIDE	CATALOG NO.	SIZE INCHES	SQ FT	SQ FT	SQ FT	FOOT	FOOT	POUND	POST SIZE	CU YD
PR RAMP A											
2004+80	RT	W13-3	48X60	-	20.0	-	-	-	-	-	-
2007+12	LT	E5-1C	60X90	-	-	37.5	-	40.6	-	-	-
2009+12	RT	LOGO	150X96	-	-	100.0	-	-	1175.2	W10X26	2.5
2011+12	RT	LOGO	150X96	-	-	100.0	-	-	1170.0	W10X26	2.5
2014+17	RT	R3-I100A	24X24	4.0	-	-	-	-	2895.6	W14X38	6.3
		GUIDF	240X120	-	-	200.0	-	-	-	-	-
2016+10	LT	W2-6	48X48	-	16.0	-	-	-	-	-	-
		W16-17P	24X12	2.0	-	-	-	17.6	-	-	-
		R5-1A	36X24	6.0	-	-	-	-	-	-	-
		**	2X60	0.8	-	-	-	-	-	-	-
2016+10	RT	W2-6	48X48	-	16.0	-	-	-	-	-	-
		W16-17P	24X12	2.0	-	-	-	18.6	-	-	-
		R5-1A	36X24	6.0	-	-	-	-	-	-	-
		**	2X60	0.8	-	-	-	-	-	-	-
2016+50	RT	LOGO	150X96	-	-	100.0	-	-	732.6	W8X18	1.4
2018+17	RT	LOGO	150X96	-	-	100.0	-	-	582.0	W6X15	1.4
2018+48	LT	R3-8	30X30	6.3	-	-	-	-	-	-	-
		**	2X60	0.8	-	-	-	15.1	-	-	-
		R5-1A	36X24	6.0	-	-	-	-	-	-	-
2018+48	RT	R3-8	30X30	6.3	-	-	-	-	-	-	-
		**	2X60	0.8	-	-	-	14.8	-	-	-
		R5-1A	36X24	6.0	-	-	-	-	-	-	-
2020+41	RT	M3-2	36X18	4.5	-	-	-	-	-	-	-
		M1-I100	36X36	9.0	-	-	-	17.1	-	-	-
		M6-2L	30X21	4.4	-	-	-	-	-	-	-
		M3-9	36X18	4.5	-	-	-	-	-	-	-
		M1-I100	36X36	9.0	-	-	-	-	-	-	-
2020+47	RT	M6-2R	30X21	4.4	-	-	-	-	-	-	-
		R6-1L	36X12	3.0	-	-	-	14.8	-	-	-
		F5-1	36X36	9.0	-	-	-	-	-	-	-
		**	2X60	0.8	-	-	-	-	-	-	-
PR RAMP A TOTALS:				99.4	52.0	637.5	31.9	106.7	6555.4	-	14.2

PERMANENT SIGNS SCHEDULE - PR I-57 EXIT RAMPS				SIGN PANEL - TYPE 1	SIGN PANEL - TYPE 2	SIGN PANEL - TYPE 3	TELESCOPING STEEL SIGN SUPPORT	WOOD SIGN SUPPORT	STRUCTURAL STEEL SIGN SUPPORTS - BREAKAWAY	CONCRETE FOUNDATIONS		
STATION	SIDE	CATALO G NO.	SIZE INCHES	SQ FT	SQ FT	SQ FT	FOOT	FOOT	POUND	POST SIZE	CU YD	
PR RAMP C												
4004+80	RT	W13-3	48X60	-	20.0	-	-	-	-	-	-	
4007+13	LT	E5-1C	60X90	-	-	37.5	-	40.6	-	-	-	
4009+13	RT	LOGO	150X96	-	-	100.0	-	-	757.8	W8X18	1.4	
4011+13	RT	LOGO	150X96	-	-	100.0	-	-	756.0	W8X18	1.4	
4014+00	RT	R3-I100A	24X24	4.0	-	-	-	-	1445.4	W10X22	3.5	
		GUIDE	240X120	-	-	200.0	-	-	-	-	-	
4015+90	LT	W2-6	48X48	-	16.0	-	-	-	-	-	-	
		W16-17P	24X12	2.0	-	-	-	17.6	-	-	-	
		R5-1A	36X24	6.0	-	-	-	-	-	-	-	
		**	2X60	0.8	-	-	-	-	-	-	-	
4015+90	RT	W2-6	48X48	-	16.0	-	-	-	-	-	-	
		W16-17P	24X12	2.0	-	-	-	17.8	-	-	-	
		R5-1A	36X24	6.0	-	-	-	-	-	-	-	
		**	2X60	0.8	-	-	-	-	-	-	-	
4016+30	RT	LOGO	150X96	-	-	100.0	-	-	564.0	W6X15	1.4	
4017+34	LT	W11-15	36X36	9.0	-	-	-	-	-	-	-	
		W11-15P	24X12	2.0	-	-	-	17.6	-	-	-	
		W16-9P	24X12	2.0	-	-	-	-	-	-	-	
4017+34	RT	W11-15	36X36	9.0	-	-	-	-	-	-	-	
		W11-15P	24X12	2.0	-	-	-	17.8	-	-	-	
		W16-9P	24X12	2.0	-	-	-	-	-	-	-	
4018+00	RT	LOGO	150X96	-	-	100.0	-	-	553.5	W6X15	1.4	
4018+32	LT	R3-8	30X30	6.3	-	-	-	-	-	-	-	
		**	2X60	0.8	-	-	-	15.0	-	-	-	
		R5-1A	36X24	6.0	-	-	-	-	-	-	-	
4018+32	RT	R3-8	30X30	6.3	-	-	-	-	-	-	-	
		**	2X60	0.8	-	-	-	14.7	-	-	-	
		R5-1A	36X24	6.0	-	-	-	-	-	-	-	
4018+96	RT	W11-15	36X36	9.0	-	-	-	-	17.0	-	-	
4019+04	RT	R5-3	24X24	4.0	-	-	-	-	14.0	-	-	
4019+08	LT	W11-15	36X36	9.0	-	-	-	-	-	17.0	-	-
		M6-2L	30X21	4.4	-	-	-	-	-	-	-	
4019+16	LT	R1-1	30X30	6.3	-	-	-	-	15.1	-	-	
4019+21	RT	R1-1	30X30	6.3	-	-	-	-	14.5	-	-	
4019+31	LT	R5-3	24X24	4.0	-	-	-	-	14.1	-	-	
4020+24	RT	M3-9	36X18	4.5	-	-	-	-	-	-	-	
		M1-I100	36X36	9.0	-	-	-	17.1	-	-	-	
		M6-2L	30X21	4.4	-	-	-	-	-	-	-	
		M3-2	36X18	4.5	-	-	-	-	-	-	-	
		M1-I100	36X36	9.0	-	-	-	-	-	-	-	
4020+31	RT	M6-2R	30X21	4.4	-	-	-	-	-	-	-	
		R6-1L	36X12	3.0	-	-	-	14.8	-	-	-	
		R5-1	36X36	9.0	-	-	-	-	-	-	-	
		**	2X60	0.8	-	-	-	-	-	-	-	
PR RAMP C TOTALS:				172.7	52.0	637.5	31.9	232.8	4076.7	-	9.1	
PR I-57 EXT RAMP TOTALS:				272.1	104.0	1275.0	63.9	339.5	10632.1	-	23.3	

** SEE RED RETROREFLECTIVE SIGN SUPPORT DETAIL

MODEL: SCHEDULES OF QUANTITIES-44 (Sheet)
FILE NAME: c:\pdx_work\pdx\hartzel\h0852852\0774435-sheets-Schedules.dgn

USER NAME = kaleb.hirtzel	DESIGNED -	REVISED -	STATE OF ILLINOIS DEPARTMENT OF TRANSPORTATION	SCHEDULE OF QUANTITIES	F.A.I RTE.	SECTION	COUNTY	TOTAL SHEETS	SHEET NO.
DRAWN -	REVISED -	57			(15-22HB-4)BR (15-22)R	COLES	1086	78	
CHECKED -	REVISED -	SCALE: SHEET 46 OF 50 SHEETS STA. TO STA.			CONTRACT NO. 74435			ILLINOIS FED. AID PROJECT	
PLOT DATE = 8/19/2024	DATE -	REVISED -							

PERMANENT SIGNS SCHEDULE - EB IL 16				SIGN PANEL - TYPE 1	SIGN PANEL - TYPE 2	SIGN PANEL - TYPE 3	TELESCOPING STEEL SIGN SUPPORT	WOOD SIGN SUPPORT	STRUCTURAL STEEL SIGN SUPPORTS - BREAKAWAY	CONCRETE FOUNDATIONS	
STATION	SIDE	CATALOG NO.	SIZE INCHES								SQ FT
EB IL 16											
96+75	LT	R2-1	36X48	-	12.0	-	-	16.8	-	-	-
96+75	RT	R2-1	36X48	-	12.0	-	-	17.7	-	-	-
104+65	RT	R3-1100A	24X24	4.0	-	-	-	-	-	-	-
	OVERHEAD	GUIDE	228X150	-	-	237.5	-	-	-	-	-
106+15	LT	W2-16	48X48	-	16.0	-	-	-	-	-	-
		W16-17P	24X12	2.0	-	-	-	17.8	-	-	-
106+15	RT	W2-16	48X48	-	16.0	-	-	-	-	-	-
		W16-17P	24X12	2.0	-	-	-	17.6	-	-	-
107+40	LT	R3-8	48X30	-	10.0	-	-	14.8	-	-	-
107+40	RT	R3-8	48X30	-	10.0	-	-	-	-	-	-
108+97	RT	M3-3	36X18	4.5	-	-	-	-	18.6	-	-
		M1-12	36X36	9.0	-	-	-	-	-	-	-
		M6-2R	30X21	4.4	-	-	-	-	-	-	-
110+27	RT	M3-1	36X18	4.5	-	-	-	-	-	-	-
		M1-12	36X36	9.0	-	-	-	-	-	-	-
		M6-2L	30X21	4.4	-	-	-	-	-	-	-
		M3-2	36X18	4.5	-	-	-	17.1	-	-	-
		M1-1100	36X36	9.0	-	-	-	-	-	-	-
110+72	LT	R1-2	36X36	9.0	-	-	-	16.1	-	-	-
110+94	RT	R1-2	36X36	9.0	-	-	13.8	-	-	-	-
111+28	LT	R6-4A	48X24	8.0	-	-	-	14.0	-	-	-
111+82	RT	M3-3	36X18	4.5	-	-	-	-	18.3	-	-
		M1-12	36X36	9.0	-	-	-	-	-	-	-
		M6-2R	30X21	4.4	-	-	-	-	-	-	-
114+15	RT	R3-8	30X30	6.3	-	-	13.3	-	-	-	-
116+94	LT	GUIDE	204X120	-	-	170.0	-	-	1053.0	W8X18	2.1
118+17	RT	R5-1	36X36	9.0	-	-	-	-	15.1	-	-
		R3-1	36X36	9.0	-	-	-	-	-	-	-
118+18	LT	**	2X60	0.8	-	-	-	-	-	-	-
		R5-1	36X36	9.0	-	-	-	-	15.0	-	-
118+50	RT	**	2X60	0.8	-	-	-	-	-	-	-
		R5-1	36X36	9.0	-	-	-	-	15.0	-	-
118+60	RT	R6-1R	36X12	3.0	-	-	-	-	-	-	-
		R6-1L	36X12	3.0	-	-	-	-	16.2	-	-
		R1-2	36X36	9.0	-	-	-	-	-	-	-
118+64	LT	R6-4A	48X24	8.0	-	-	-	14.0	-	-	-
119+67	LT	M3-1	36X18	4.5	-	-	-	-	18.3	-	-
		M1-12	36X36	9.0	-	-	-	-	-	-	-
		M6-2L	30X21	4.4	-	-	-	-	-	-	-
		M3-2	36X18	4.5	-	-	-	-	-	-	-
		M1-1100	36X36	9.0	-	-	-	-	-	-	-
121+55	RT	W9-1R	48X48	-	16.0	-	-	-	-	-	-
123+75	RT	W4-2R	48X48	-	16.0	-	-	-	-	-	-
132+15	RT	M3-2	36X18	4.5	-	-	-	18.0	-	-	-
		M1-1100	36X36	9.0	-	-	-	-	-	-	-
135+15	RT	GUIDE	120X24	-	20.0	-	-	-	426.0	W6X15	1.4
138+35	RT	R2-1	36X48	-	12.0	-	-	17.8	-	-	-
140+65	RT	D9-2	36X36	9.0	-	-	-	-	-	-	-
		D5-5B	36X12	3.0	-	-	-	-	19.0	-	-
		M6-3	30X21	4.4	-	-	-	-	-	-	-
142+85	RT	R5-1A	36X24	6.0	-	-	-	-	17.4	-	-
		**	2X60	0.8	-	-	-	-	-	-	-
143+78	RT	W3-3	48X48	-	16.0	-	-	-	-	-	-
		R5-1	36X36	9.0	-	-	-	-	15.0	-	-
		**	2X60	0.8	-	-	-	-	-	-	-
EB IL 16 TOTALS:				258.5	156.0	407.5	44.3	332.5	1479.0	-	3.5

** SEE RED RETROREFLECTIVE SIGN SUPPORT DETAIL

MODEL: SCHEDULES OF QUANTITIES-45 (Sheet)
FILE NAME: c:\pdk_work\hartzel\hartzel\082852\074435-sheets-schedules.dgn

USER NAME = kaleb.hirtzel	DESIGNED -	REVISED -
	DRAWN -	REVISED -
	CHECKED -	REVISED -
PLOT DATE = 8/19/2024	DATE -	REVISED -

**STATE OF ILLINOIS
DEPARTMENT OF TRANSPORTATION**

SCHEDULE OF QUANTITIES

SCALE: SHEET 47 OF 50 SHEETS STA. TO STA.

F.A.I RTE.	SECTION	COUNTY	TOTAL SHEETS	SHEET NO.
57	(15-22HB-4)BR (15-22)R	COLES	1086	79
CONTRACT NO. 74435				
ILLINOIS FED. AID PROJECT				

MODEL: SCHEDULES OF QUANTITIES-46 (Sheet)
 FILE NAME: c:\p\work\pwr\hrtz\hrtz\100852852\074435-sheets-Schedules.dgn

PERMANENT SIGNS SCHEDULE - WB IL 16				SIGN PANEL - TYPE 1	SIGN PANEL - TYPE 2	SIGN PANEL - TYPE 3	TELESCOPING STEEL SIGN SUPPORT	WOOD SIGN SUPPORT	STRUCTURAL STEEL SIGN SUPPORTS - BREAKAWAY	CONCRETE FOUNDATIONS	
STATION	SIDE	CATALOG NO.	SIZE INCHES	SQ FT	SQ FT	SQ FT	FOOT	FOOT	POUND	POST SIZE	CU YD
WB IL 16											
94+60	LT	W3-3	48X48	-	16.0	-	-	17.1	-	-	-
94+60	RT	W3-3	48X48	-	16.0	-	-	17.5	-	-	-
96+10	LT	G4-I100	30X24	5.0	-	-	-	-	-	-	-
		M6-1R	21X15	2.2	-	-	-	17.0	-	-	-
97+60	LT	M3-9	36X18	4.5	-	-	-	-	-	-	-
		M1-I100	36X36	9.0	-	-	-	18.5	-	-	-
100+48	LT	R2-1	36X48	-	12.0	-	-	17.8	-	-	-
100+48	RT	R2-1	36X48	-	12.0	-	-	17.4	-	-	-
106+35	LT	W4-2R	48X48	-	16.0	-	-	16.4	-	-	-
108+10	LT	W9-1R	48X48	-	16.0	-	-	-	-	-	-
110+73	RT	M3-3	36X18	4.5	-	-	-	-	-	-	-
		M1-12	36X36	9.0	-	-	-	-	-	-	-
		M6-2R	30X21	4.4	-	-	-	-	-	-	-
		M3-9	36X18	4.5	-	-	-	-	-	-	-
		M1-I100	36X36	9.0	-	-	-	-	-	-	-
111+75	RT	M6-2L	30X21	4.4	-	-	-	-	-	-	-
		R6-4A	48X24	8.0	-	-	-	14.0	-	-	-
111+80	LT	R6-1L	36X12	3.0	-	-	-	-	-	-	-
		R1-2	36X36	9.0	-	-	-	16.2	-	-	-
		R6-1R	36X12	3.0	-	-	-	-	-	-	-
111+89	LT	R5-1	36X36	9.0	-	-	-	-	-	-	-
		**	2X60	0.8	-	-	-	15.2	-	-	-
112+21	RT	R5-1	36X36	9.0	-	-	-	-	-	-	-
		**	2X60	0.8	-	-	-	15.0	-	-	-
112+22	LT	R5-1	36X36	9.0	-	-	-	-	-	-	-
		**	2X60	0.8	-	-	-	15.1	-	-	-
		R3-1	36X36	9.0	-	-	-	-	-	-	-
113+45	RT	GUIDE	180X120	-	-	150.0	-	-	1320.0	W10X22	2.4
116+00	LT	R3-8	30X30	6.3	-	-	-	14.6	-	-	-
118+57	LT	M3-1	36X18	4.5	-	-	-	-	-	-	-
		M1-12	36X36	9.0	-	-	-	18.3	-	-	-
		M6-2R	30X21	4.4	-	-	-	-	-	-	-
119+10	RT	R6-4A	48X24	8.0	-	-	-	14.0	-	-	-
119+47	LT	R1-2	36X36	9.0	-	-	13.8	-	-	-	-
119+68	RT	R1-2	36X36	9.0	-	-	-	-	-	-	-
		R6-1R	36X12	3.0	-	-	-	17.1	-	-	-
120+50	LT	M3-3	36X18	4.5	-	-	-	-	-	-	-
		M1-12	36X36	9.0	-	-	-	-	-	-	-
		M6-2L	30X21	4.4	-	-	-	-	-	-	-
		M3-4	36X18	4.5	-	-	-	-	-	-	-
		M1-I100	36X36	9.0	-	-	-	-	-	-	-
		M6-2L	30X21	4.4	-	-	-	-	-	-	-
122+20	LT	M3-1	36X18	4.5	-	-	-	-	-	-	-
		M1-12	36X36	9.0	-	-	-	18.9	-	-	-
		M6-2R	30X21	4.4	-	-	-	-	-	-	-
123+40	LT	R3-8	48X30	-	10.0	-	-	15.6	-	-	-
123+40	RT	R3-8	48X30	-	10.0	-	-	14.9	-	-	-
124+60	LT	W2-6	48X48	-	16.0	-	-	-	-	-	-
		W16-17P	24X12	2.0	-	-	-	17.4	-	-	-
124+60	RT	W2-6	48X48	-	16.0	-	-	-	-	-	-
		W16-17P	24X12	2.0	-	-	-	17.6	-	-	-
125+75	RT	R3-I100A	24X24	4.0	-	-	-	-	-	-	-
		OVERHEAD	GUIDE	228X150	-	-	237.5	-	-	-	-
WB IL 16 TOTALS:				232.7	140.0	387.5	30.9	363.9	1320.0	-	2.4

** SEE RED RETROREFLECTIVE SIGN SUPPORT DETAIL

USER NAME = kaleb.hirtzel	DESIGNED -	REVISED -
	DRAWN -	REVISED -
	CHECKED -	REVISED -
PLOT DATE = 8/19/2024	DATE -	REVISED -

**STATE OF ILLINOIS
DEPARTMENT OF TRANSPORTATION**

SCHEDULE OF QUANTITIES

SCALE: SHEET 48 OF 50 SHEETS STA. TO STA.

F.A.I RTE.	SECTION	COUNTY	TOTAL SHEETS	SHEET NO.
57	(15-22HB-4)BR (15-22)R	COLES	1086	80
CONTRACT NO. 74435				
ILLINOIS FED. AID PROJECT				

TEMPORARY RAISED PAVEMENT MARKER SCHEDULE			TEMPORARY RAISED PAVEMENT MARKER
STATIONING			
FROM	TO	EACH	
I-57 - STAGE 1			
739+00	750+00	88	
841+00	851+50	84	
STAGE 1 TOTAL:		172	
I-57 - STAGE 2			
739+00	750+00	88	
841+00	851+50	84	
STAGE 2 TOTAL:		172	
IL 16 - STAGE 3A			
94+00	102+00	64	
125+50	138+00	100	
STAGE 3A TOTAL:		164	
IL 16 - STAGE 3B			
93+00	102+00	72	
129+75	137+75	64	
STAGE 3B TOTAL:		136	
PROJECT TOTAL:		644	

GUARD POSTS SCHEDULE - STAGE 2					GUARD POSTS
STATIONING			OFFSET	LENGTH	
FROM	TO	SIDE	FEET	FEET	EACH
NB I-57 - STAGE 2					
807+40	809+40	LT	20	200	51
STAGE 2 TOTAL:					51

FENCE SCHEDULE					WOVEN WIRE FENCE, 4'
STATION	OFFET	TO	STATION	OFFSET	FOOT
I-57					
771+00.0	124' RT	TO	774+00.0	154' RT	301.5
774+00.0	154' RT	TO	775+17.0	170' RT	118.3
775+17.0	170' RT	TO	778+00.0	209' RT	285.4
778+00.0	209' RT	TO	780+50.0	269' RT	257.1
798+12.0	224' RT	TO	801+00.0	205' RT	288.6
797+11.0	294' LT	TO	798+35.0	264' LT	127.2
798+35.0	264' LT	TO	806+25.0	197.4' LT	792.7
806+25.0	197.4' LT	TO	807+57.0	198.3' LT	132.0
807+57.0	198.3' LT	TO	808+06.0	94.2' LT	115.0
808+06.0	94.2' LT	TO	808+34.5	97.5' LT	28.7
808+34.5	97.5' LT	TO	809+12.3	168.6' LT	105.4
807+01.0	195.7' RT	TO	808+29.2	98' RT	161.3
808+29.2	98' RT	TO	808+56.7	94.1' RT	27.8
808+56.7	94.1' RT	TO	809+01.6	169' RT	87.2
I-57 TOTAL:					2828.2
IL 16					
130+00.0	114' RT	TO	134+15.0	104' RT	415.0
134+15.0	104' RT	TO	135+12.3	128.2' RT	100.0
IL 16 TOTAL:					515.0
PROJECT TOTAL:					3343.2

SURVEY MARKER SCHEDULE							PERMANENT SURVEY MARKERS, TYPE II	PROTECTING OR RESETTING SURVEY MARKERS
Point No.	Northing	Easting	Station	Offset	Existing PSM Desc.	COMMENT	EACH	EACH
830	1023428	987570	762+00.00 (I-57)	0	New POT	Disk set in top of Conc. Monument	1	-
831	1028726	987423	815+00.00 (I-57)	0	New POT	Disk set in top of Conc. Monument	1	-
828	1026087	986007	100+00.00 (IL 16)	0	Disk in conc. Monument	Disk set in top of Conc. Monument	-	1
8006	1026076	987371	113+63.97 (IL 16)	16.68' Rt.	IP - SE Cor NE 1/4 of Sec. 17	Type I - Disk set flush in pavement	-	1
829	1026100	989007	130+00.00 (IL 16)	0	Disk in conc. Monument	Disk set in top of Conc. Monument	-	1
816	1026093	987496	114+88.70 (IL 16) = 788+66.41 (I-57)	0	IP w/ yellow cap	Type I - Disk set flush in pavement	-	1
PROJECT TOTALS:							2	4

MODEL: SCHEDULES OF QUANTITIES-48 (Sheet)
FILE NAME: c:\p\work\hertz\hertz\110852852\074435-sheets-Schedules.dgn

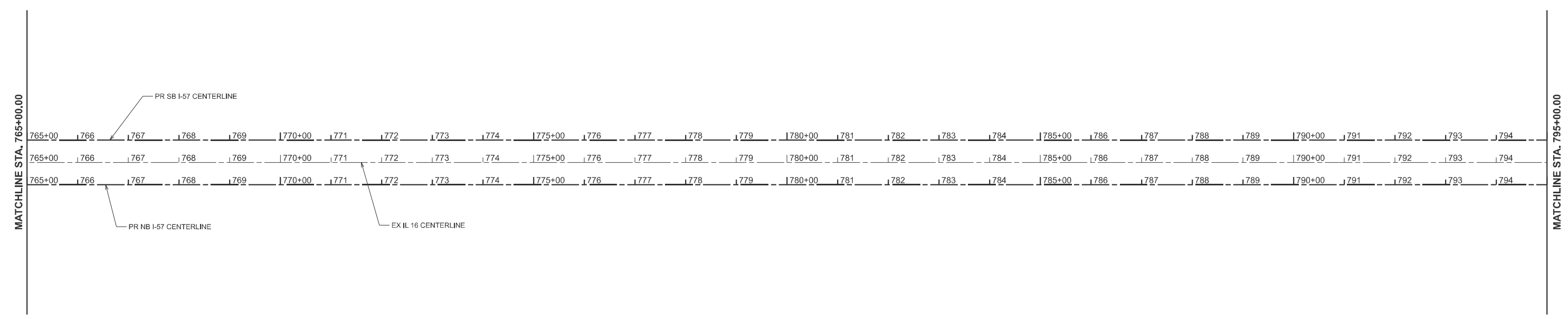
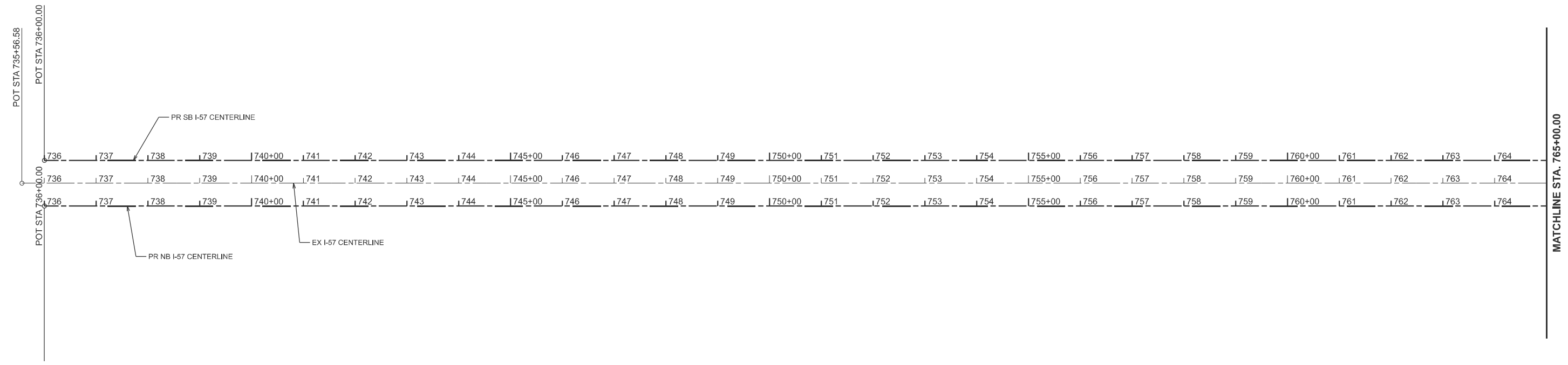
USER NAME = kaleb.hirtzel	DESIGNED -	REVISED -
	DRAWN -	REVISED -
	CHECKED -	REVISED -
PLOT DATE = 8/19/2024	DATE -	REVISED -

**STATE OF ILLINOIS
DEPARTMENT OF TRANSPORTATION**

SCHEDULE OF QUANTITIES

SCALE: SHEET 50 OF 50 SHEETS STA. TO STA.

F.A.I RTE.	SECTION	COUNTY	TOTAL SHEETS	SHEET NO.
57	(15-22HB-4)BR (15-22)R	COLES	1086	82
CONTRACT NO. 74435				
ILLINOIS FED. AID PROJECT				



MODEL: EX157CL1 - EX AND PR I-57 ALIGNMENTS (Sheet)
 FILE NAME: c:\p\work\pr\hrtz\hrtz\1082852\17435-sheets-alignments157.dgn

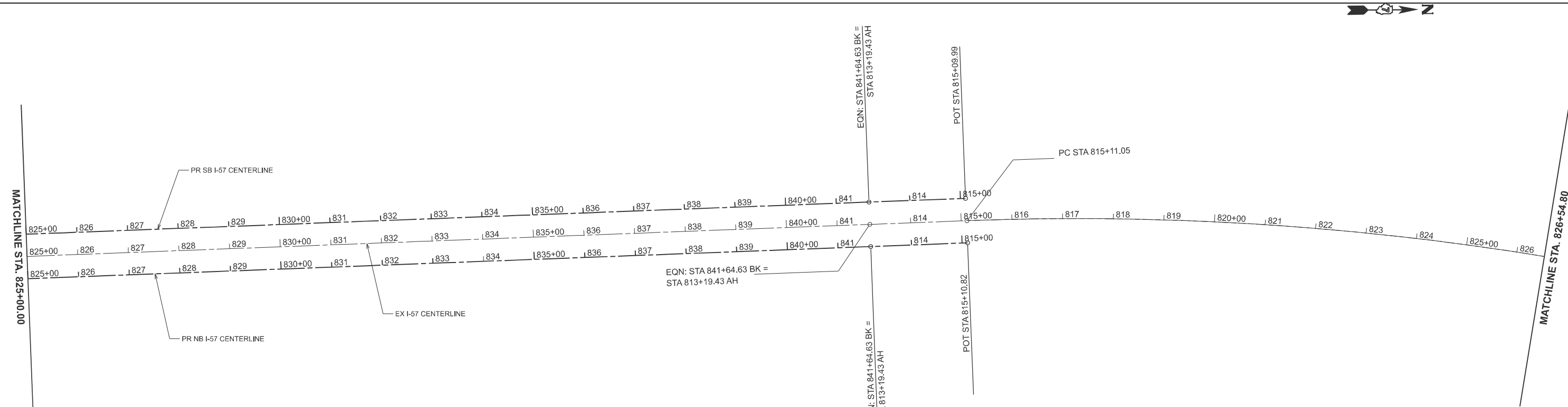
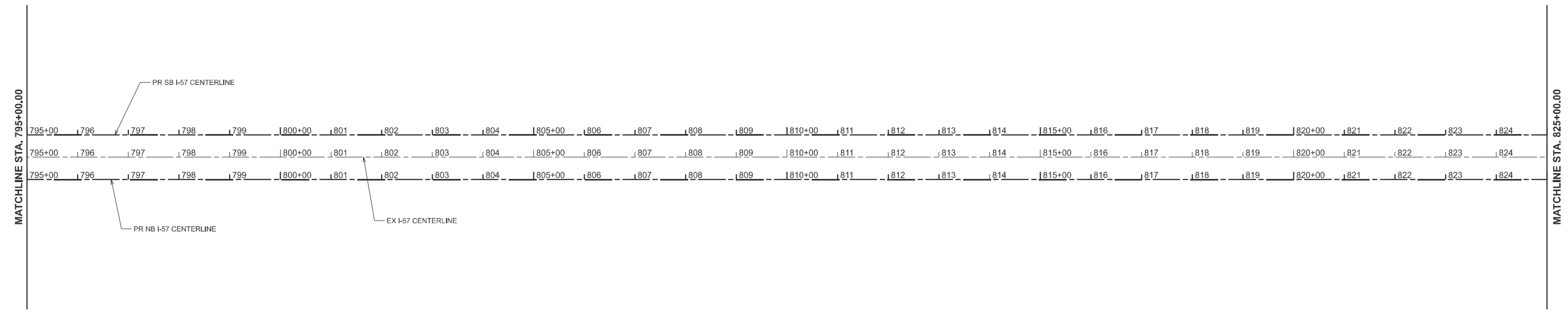
USER NAME = kaleb.hirtzel	DESIGNED -	REVISED -
	DRAWN -	REVISED -
PLOT SCALE = \$SCALE\$	CHECKED -	REVISED -
PLOT DATE = 8/26/2024	DATE -	REVISED -

**STATE OF ILLINOIS
DEPARTMENT OF TRANSPORTATION**

**ALIGNMENTS
EX. & PR. I-57**

SCALE: 1"=100' SHEET 1 OF 16 SHEETS STA. 735+00.00 TO STA. 795+00.00

F.A.I RTE.	SECTION	COUNTY	TOTAL SHEETS	SHEET NO.
57	(15-22HB-4)BR (15-22)R	COLES	1086	83
CONTRACT NO. 74435			ILLINOIS FED. AID PROJECT	



MODEL: E:\M7CL1 - EX AND PR I-57 ALIGNMENTS-2 (Sheet)
 FILE NAME: c:\pwworking\hartzel\10682852\DWG\435-sheets-alignments-157.dgn

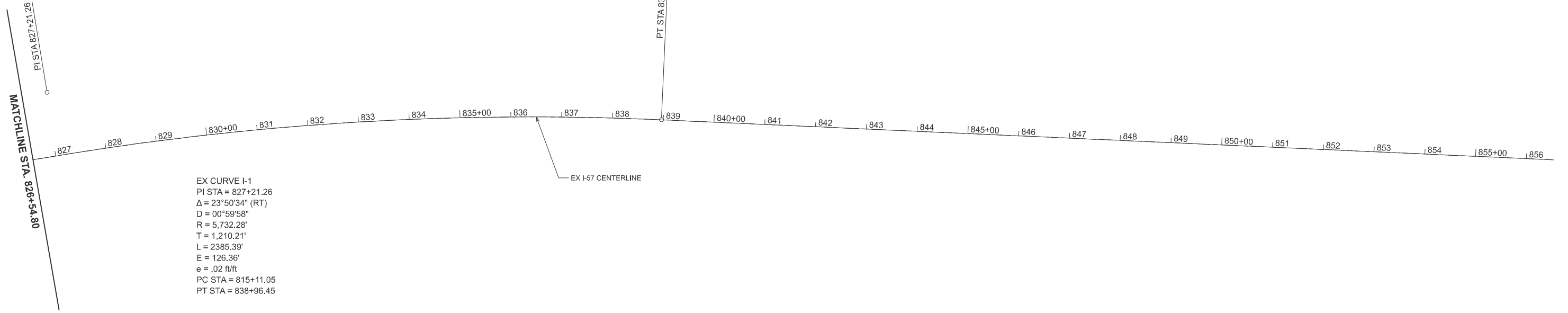
USER NAME = kaleb.hirtzel	DESIGNED -	REVISED -
	DRAWN -	REVISED -
PLOT SCALE = \$SCALE\$	CHECKED -	REVISED -
PLOT DATE = 8/26/2024	DATE -	REVISED -

STATE OF ILLINOIS
DEPARTMENT OF TRANSPORTATION

ALIGNMENTS
EX. & PR. I-57

SCALE: 1"=100' SHEET 2 OF 16 SHEETS STA. 795+00.00 TO STA. 826+54.80

F.A.I. RTE.	SECTION	COUNTY	TOTAL SHEETS	SHEET NO.
57	(15-22HB-4)BR (15-22)R	COLES	1086	84
CONTRACT NO. 74435				
ILLINOIS FED. AID PROJECT				



MODEL: EX157CL1 - EX AND PR I-57 ALIGNMENTS-4 [Sheet]
 FILE NAME: c:\p\work\pr\157\157.dwg

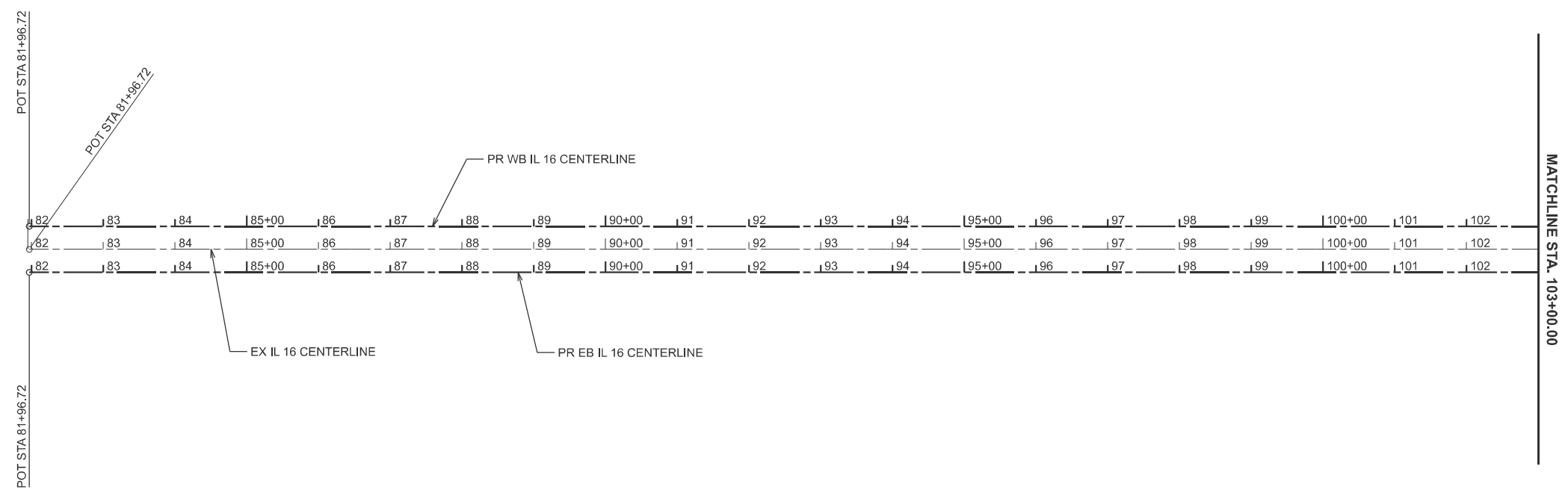
USER NAME = kaleb.hirtzel	DESIGNED -	REVISED -
	DRAWN -	REVISED -
PLOT SCALE = \$SCALE\$	CHECKED -	REVISED -
PLOT DATE = 8/26/2024	DATE -	REVISED -

STATE OF ILLINOIS
DEPARTMENT OF TRANSPORTATION

ALIGNMENTS
EX. & PR. I-57

SCALE: 1"=100' SHEET 3 OF 16 SHEETS STA. 826+54.80 TO STA. 856+54.80

F.A.I. RTE.	SECTION	COUNTY	TOTAL SHEETS	SHEET NO.
57	(15-22HB-4)BR (15-22)R	COLES	1086	85
CONTRACT NO. 74435				
ILLINOIS FED. AID PROJECT				



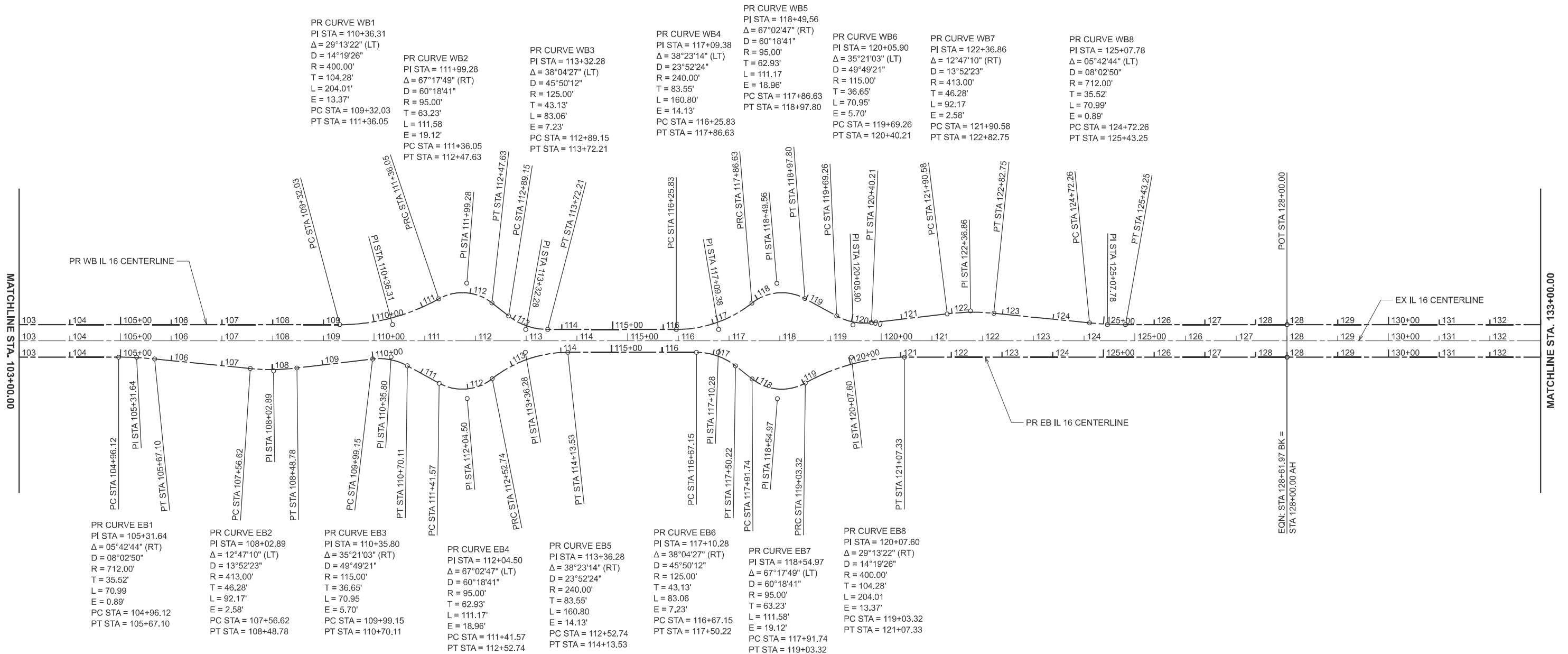
MODEL: IL 16 Alignments - IL 16 Alignments (Sheet)
 FILE NAME: c:\p\work\hwirtzel\hrtzel\0852852\074435-sheets-alignments-IL 16.dgn

USER NAME = kaleb.hirtzel	DESIGNED -	REVISED -
	DRAWN -	REVISED -
PLOT SCALE = \$SCALE\$	CHECKED -	REVISED -
PLOT DATE = 8/19/2024	DATE -	REVISED -

**STATE OF ILLINOIS
DEPARTMENT OF TRANSPORTATION**

ALIGNMENTS EX & PR IL 16			
SCALE: 1"=100'	SHEET 4	OF 16 SHEETS	STA. 73+00.00 TO STA. 103+00.00

F.A. I RTE.	SECTION	COUNTY	TOTAL SHEETS	SHEET NO.
57	(15-22HB-4)BR (15-22)R	COLES	1086	86
CONTRACT NO. 74435				
ILLINOIS FED. AID PROJECT				



MODEL: IL_16 Alignments - IL 16 Alignments-1 (Sheet)
 FILE NAME: c:\pwworking\hirtzel\086282\16.dgn

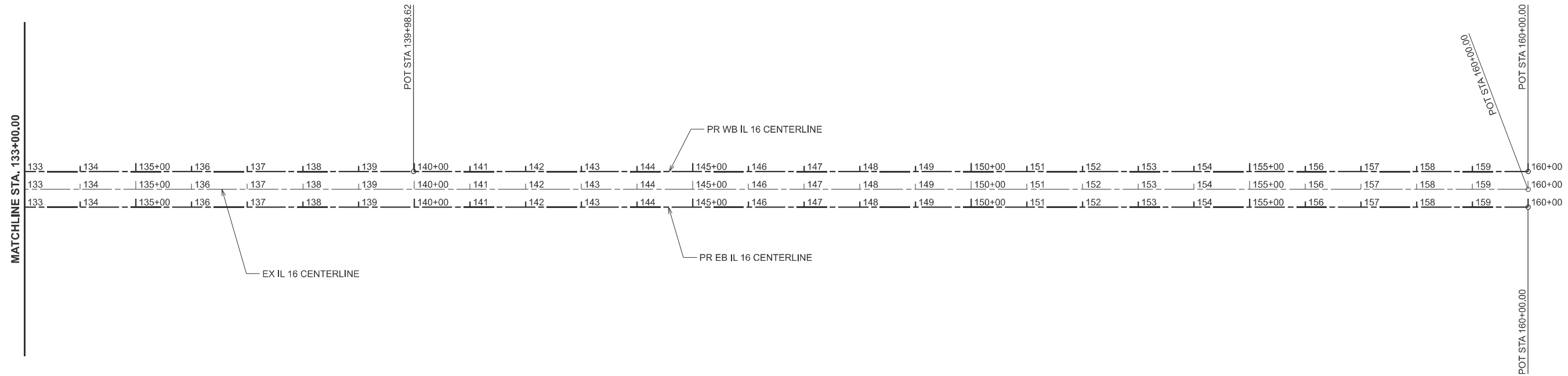
USER NAME = kaleb.hirtzel	DESIGNED -	REvised -
DRAWN -	CHECKED -	REvised -
PLOT SCALE = \$SCALE\$	DATE -	REvised -
PLOT DATE = 8/19/2024		

STATE OF ILLINOIS
 DEPARTMENT OF TRANSPORTATION

ALIGNMENTS
 EX & PR IL 16

SCALE: 1"=100' SHEET 5 OF 16 SHEETS STA. 103+00.00 TO STA. 133+00.00

F.A.I. RTE.	SECTION	COUNTY	TOTAL SHEETS	SHEET NO.
57	(15-22)HB-4)BR (15-22)R	COLES	1086	87
CONTRACT NO. 74435				
ILLINOIS FED. AID PROJECT				



MODEL: IL_16 Alignments - IL_16 Alignments-2 (Sheet)
 FILE NAME: c:\p\work\wrt\hrtz\k\086282\074435-sheets-alignments-IL_16.dgn

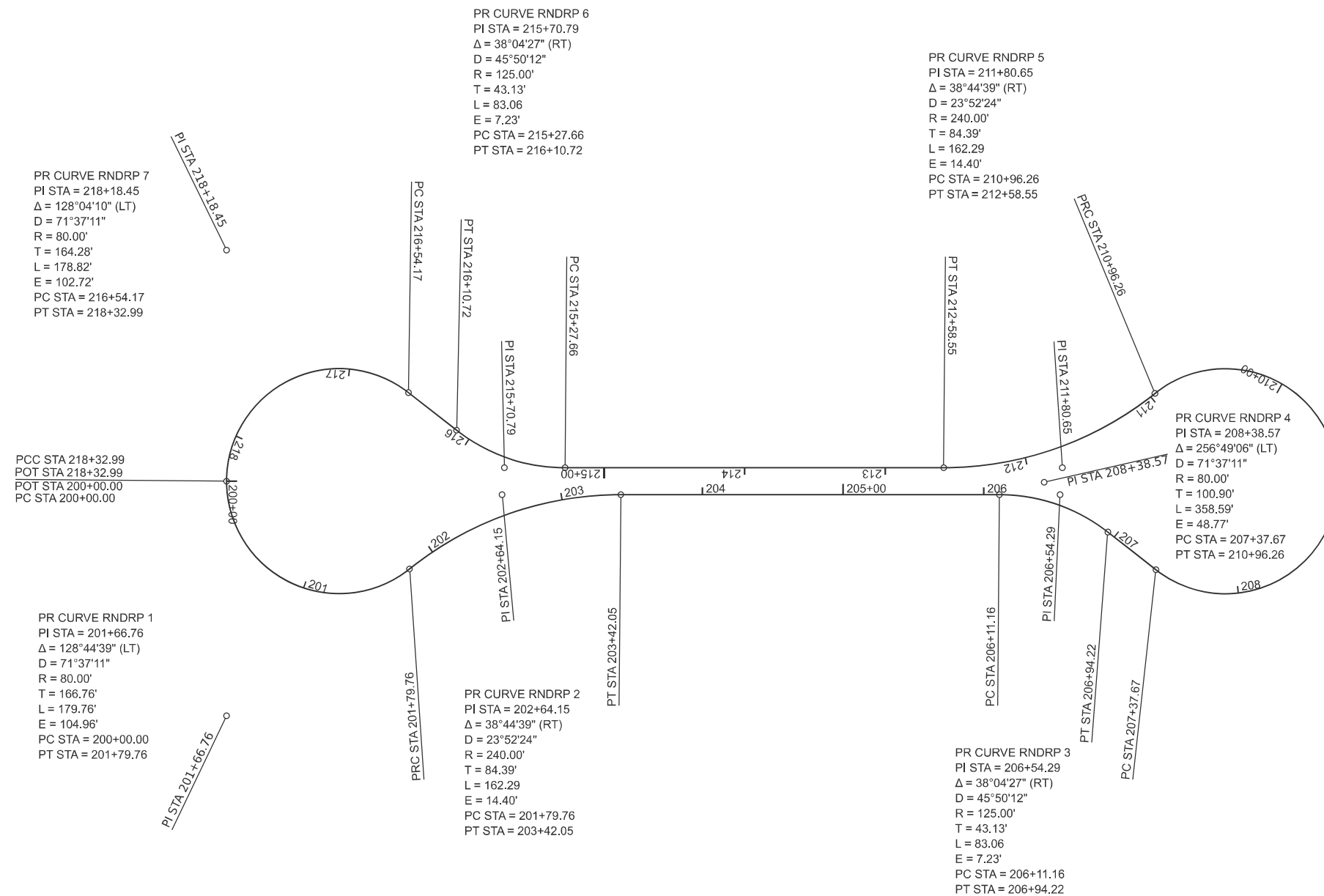
USER NAME = kaleb.hirtzel	DESIGNED -	REVISED -
	DRAWN -	REVISED -
PLOT SCALE = \$\$SCALE\$	CHECKED -	REVISED -
PLOT DATE = 8/19/2024	DATE -	REVISED -

**STATE OF ILLINOIS
 DEPARTMENT OF TRANSPORTATION**

**ALIGNMENTS
 EX & PR IL 16**

SCALE: 1"=100' SHEET 6 OF 16 SHEETS STA. 133+00.00 TO STA. 163+00.00

F.A.I RTE.	SECTION	COUNTY	TOTAL SHEETS	SHEET NO.
57	(15-22HB-4)BR (15-22)R	COLES	1086	88
CONTRACT NO. 74435				
ILLINOIS FED. AID PROJECT				



MODEL: Raindrop Alignment - Raindrop Alignment (Sheet)
 FILE NAME: c:\p\work\wvictorhirtzel\0852852\074435-sheets-Alignments-Raindrop.dgn

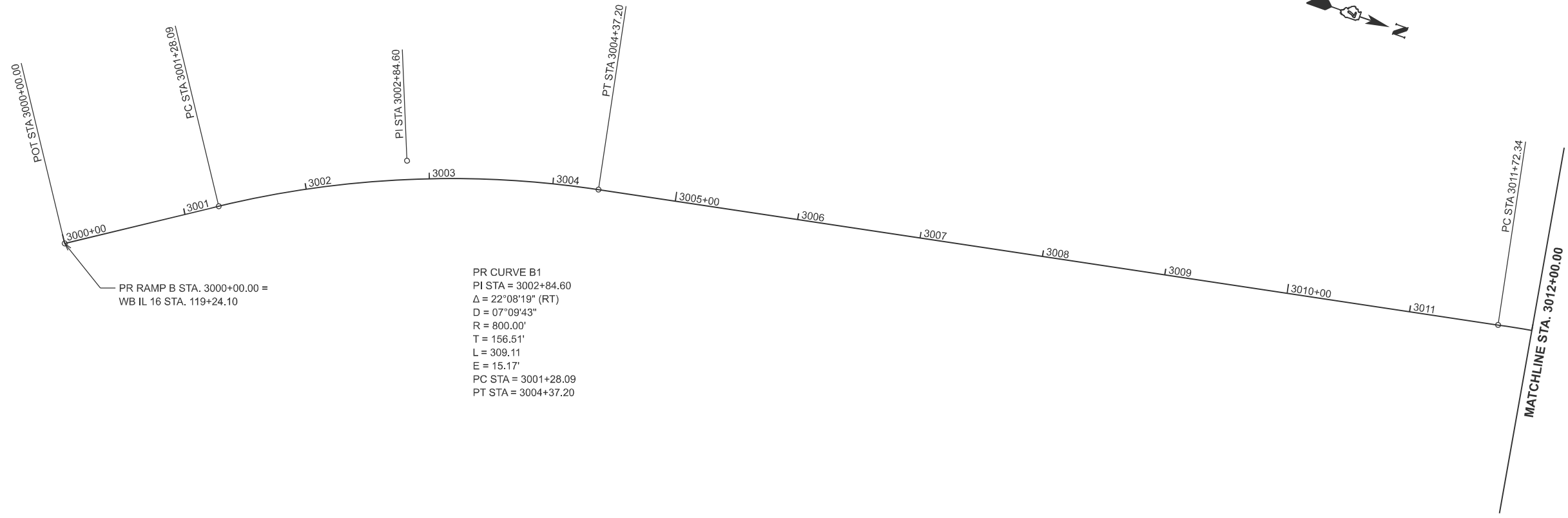
USER NAME = kaleb.hirtzel	DESIGNED -	REVISED -
	DRAWN -	REVISED -
PLOT SCALE = \$SCALE\$	CHECKED -	REVISED -
PLOT DATE = 4/24/2024	DATE -	REVISED -

**STATE OF ILLINOIS
 DEPARTMENT OF TRANSPORTATION**

**ALIGNMENTS
 PR RAINDROP**

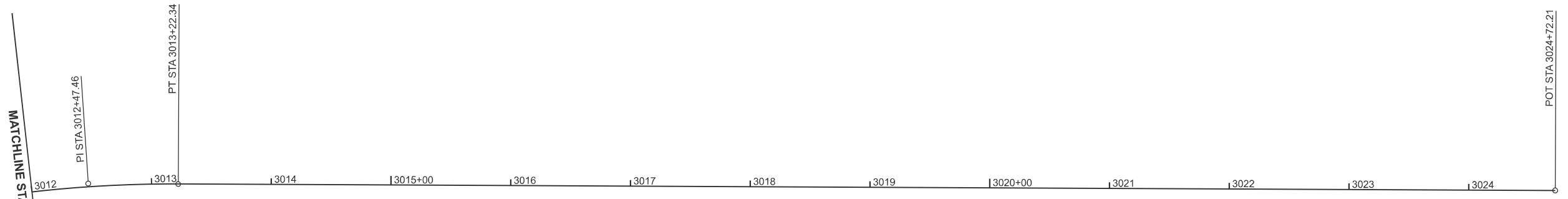
SCALE: 1"=50' SHEET 7 OF 16 SHEETS STA. 200+00 TO STA. 218+32.99

F.A.I. RTE.	SECTION	COUNTY	TOTAL SHEETS	SHEET NO.
57	(15-22HB-4)BR (15-22)R	COLES	1086	89
CONTRACT NO. 74435				
ILLINOIS FED. AID PROJECT				



PR RAMP B STA. 3000+00.00 =
WB IL 16 STA. 119+24.10

PR CURVE B1
 PI STA = 3002+84.60
 $\Delta = 22^{\circ}08'19''$ (RT)
 $D = 07^{\circ}09'43''$
 $R = 800.00'$
 $T = 156.51'$
 $L = 309.11$
 $E = 15.17'$
 PC STA = 3001+28.09
 PT STA = 3004+37.20



PR CURVE B2
 PI STA = 3012+47.46
 $\Delta = 08^{\circ}06'28''$ (RT)
 $D = 05^{\circ}24'19''$
 $R = 1,060.00'$
 $T = 75.13'$
 $L = 150.00$
 $E = 2.66'$
 $e = 6.0\%$
 $TR = 0'$
 SE RUN1 = 204' (STA. 3009+76 TO STA. 3011+80)
 SE RUN2 = SEE ENTRANCE RAMP TERMINAL HIGHWAY STANDARD 406001
 PC STA = 3011+72.34
 PT STA = 3013+22.34

MODEL: RAMPB-NBONS - RampB1 (Sheet)
 FILE NAME: c:\p\work\wv\01\hrtz\kld0852852\074435-sheets-alignments-PrRampB.dgn

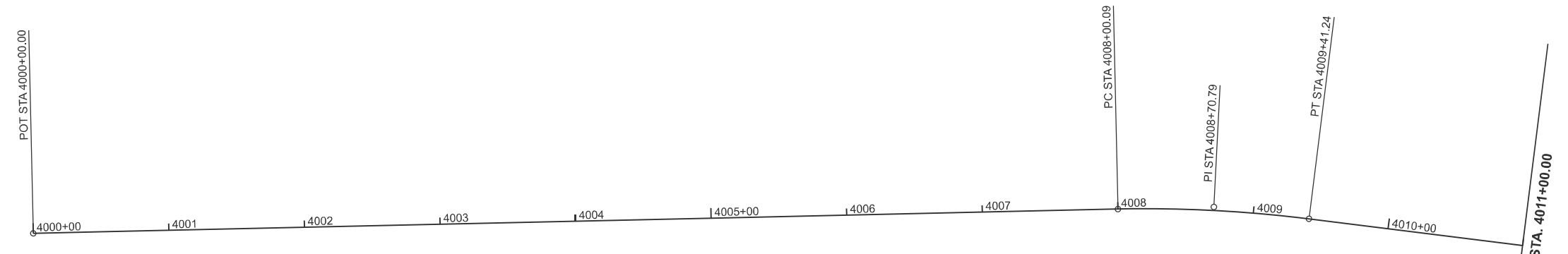
USER NAME = kaleb.hirtzel	DESIGNED -	REVISED -
PLOT SCALE = \$SCALE\$	DRAWN -	REVISED -
PLOT DATE = 8/17/2024	CHECKED -	REVISED -
	DATE -	REVISED -

**STATE OF ILLINOIS
DEPARTMENT OF TRANSPORTATION**

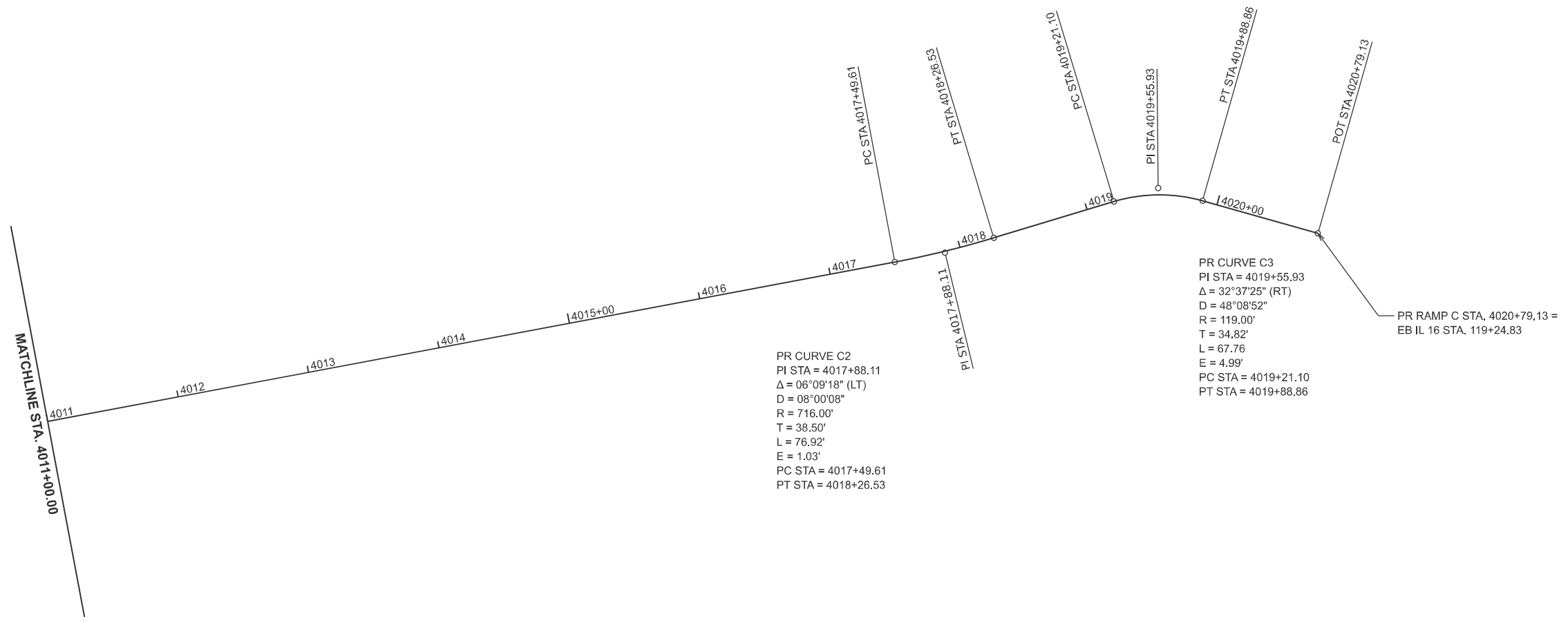
**ALIGNMENTS
PR RAMP B**

SCALE: 1"=50' SHEET 9 OF 16 SHEETS STA. 3000+00 TO STA. 3024+72.21

F.A.I RTE.	SECTION	COUNTY	TOTAL SHEETS	SHEET NO.
57	(15-22HB-4)BR (15-22)R	COLES	1086	91
CONTRACT NO. 74435				
ILLINOIS FED. AID PROJECT				



PR CURVE C1
 PI STA = 4008+70.79
 $\Delta = 08^{\circ}25'28''$ (RT)
 $D = 05^{\circ}58'06''$
 $R = 960.00'$
 $T = 70.70'$
 $L = 141.15$
 $E = 2.60'$
 $e = 8.0\%$
 $TR = 0'$
 SE RUN1 = 222' (STA. 4006+41.5 TO STA. 4008+63.50)
 SE RUN2 = 272' (STA. 4008+78 TO STA. 4011+50)
 PC STA = 4008+00.09
 PT STA = 4009+41.24



PR CURVE C2
 PI STA = 4017+88.11
 $\Delta = 06^{\circ}09'18''$ (LT)
 $D = 08^{\circ}00'08''$
 $R = 716.00'$
 $T = 38.50'$
 $L = 76.92'$
 $E = 1.03'$
 PC STA = 4017+49.61
 PT STA = 4018+26.53

PR CURVE C3
 PI STA = 4019+55.93
 $\Delta = 32^{\circ}37'25''$ (RT)
 $D = 48^{\circ}08'52''$
 $R = 119.00'$
 $T = 34.82'$
 $L = 67.76$
 $E = 4.99'$
 PC STA = 4019+21.10
 PT STA = 4019+88.86

PR RAMP C STA. 4020+79.13 =
 EB IL 16 STA. 119+24.83

MODEL: RAMPC-NBOFF - Ramp_C [Sheet]
 FILE NAME: c:\p\work\w10\h1rtzel\100852852\074435-sheets-Alignments-PrRampC.dgn

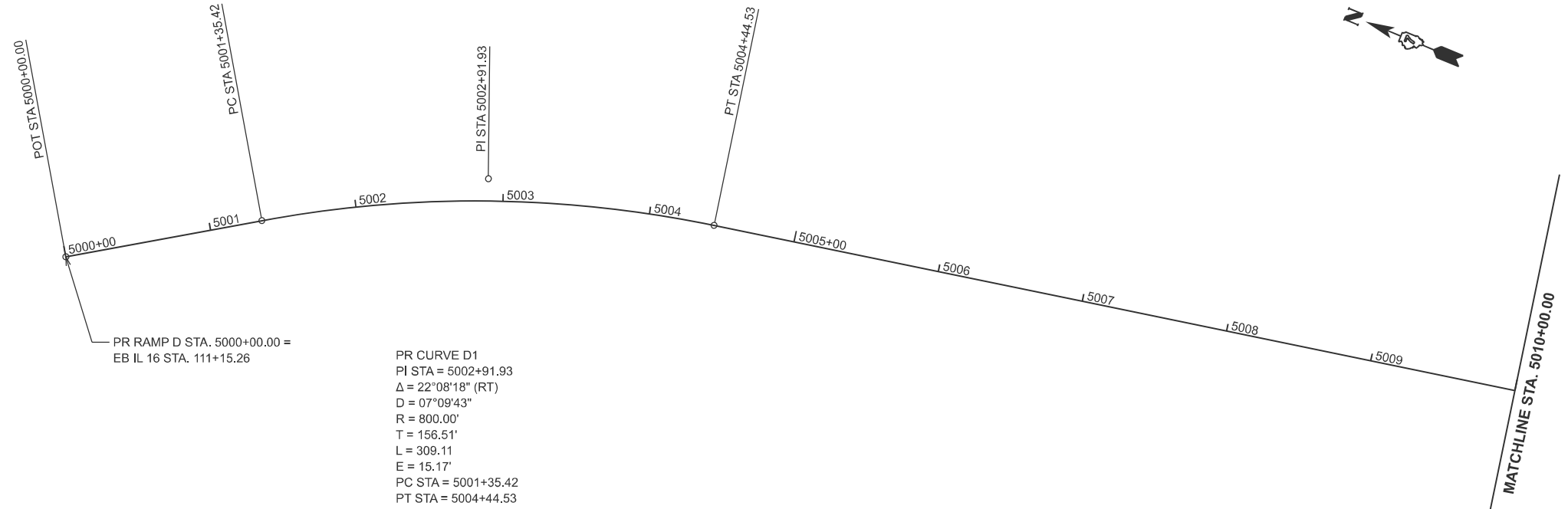
USER NAME = kaleb.hirtzel	DESIGNED -	REVISED -
	DRAWN -	REVISED -
PLOT SCALE = \$SCALE\$	CHECKED -	REVISED -
PLOT DATE = 8/17/2024	DATE -	REVISED -

**STATE OF ILLINOIS
 DEPARTMENT OF TRANSPORTATION**

**ALIGNMENTS
 PR RAMP C**

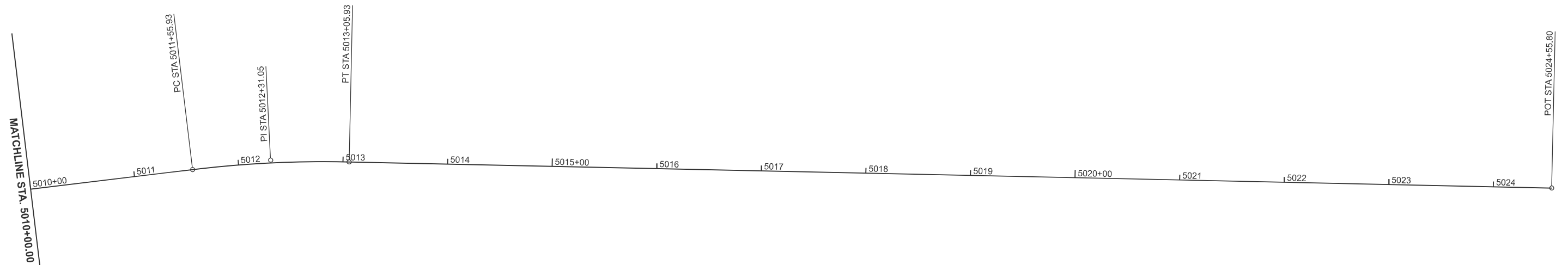
SCALE: 1"=50' SHEET 10 OF 16 SHEETS STA. 4000+00 TO STA. 4020+79.13

F.A.I RTE.	SECTION	COUNTY	TOTAL SHEETS	SHEET NO.
57	(15-22HB-4)BR (15-22)R	COLES	1086	92
CONTRACT NO. 74435				
ILLINOIS FED. AID PROJECT				



PR RAMP D STA. 5000+00.00 =
EB IL 16 STA. 111+15.26

PR CURVE D1
PI STA = 5002+91.93
 $\Delta = 22^{\circ}08'18"$ (RT)
D = $07^{\circ}09'43"$
R = 800.00'
T = 156.51'
L = 309.11'
E = 15.17'
PC STA = 5001+35.42
PT STA = 5004+44.53



PR CURVE D2
PI STA = 5012+31.05
 $\Delta = 08^{\circ}06'28"$ (RT)
D = $05^{\circ}24'19"$
R = 1,060.00'
T = 75.13'
L = 150.00'
E = 2.66'
e = 6.0%
TR = 0'
SE RUN1 = 203.93' (STA. 5009+72 TO STA. 5011+75.93)
SE RUN2 = SEE ENTRANCE RAMP TERMINAL HIGHWAY STANDARD 406001
PC STA = 5011+55.93
PT STA = 5013+05.93

MODEL: RAMPD_SBOINS - Ramp D [Sheet]
FILE NAME: c:\p\work\w10\h1r1\24\0852852\074435-sheets-Alignments-PrRampD.dgn

USER NAME = kaleb.hirtzel	DESIGNED -	REVISED -
PLOT SCALE = \$SCALES\$	DRAWN -	REVISED -
PLOT DATE = 8/17/2024	CHECKED -	REVISED -
	DATE -	REVISED -

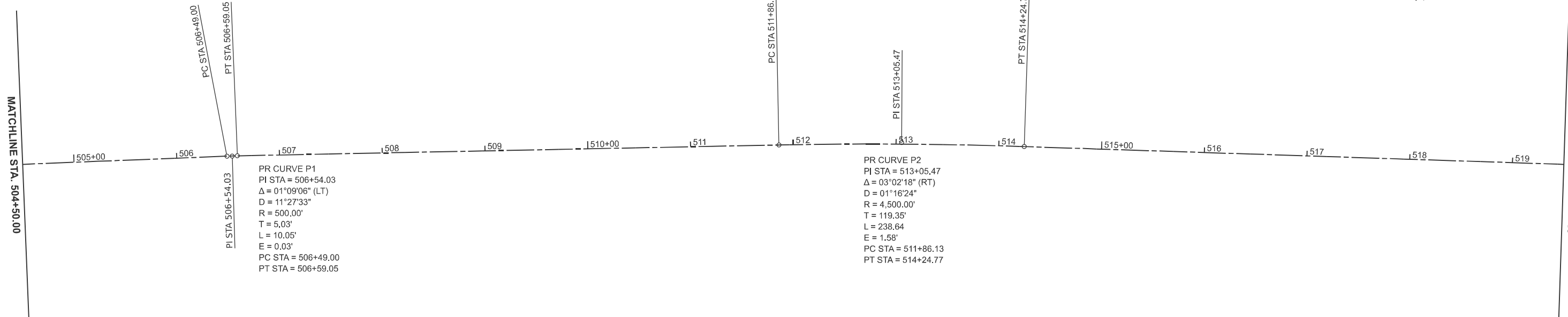
STATE OF ILLINOIS
DEPARTMENT OF TRANSPORTATION

ALIGNMENTS
PR RAMP D

SCALE: 1"=50' SHEET 11 OF 16 SHEETS STA. 5000+00 TO STA. 5024+55.80

F.A.I RTE.	SECTION	COUNTY	TOTAL SHEETS	SHEET NO.
57	(15-22HB-4)BR (15-22)R	COLES	1086	93
CONTRACT NO. 74435				
ILLINOIS FED. AID PROJECT				

MODEL: PR_BikePath - SharedUse Path (Sheet)
 FILE NAME: C:\p\work\pr\hrtz\hrtz\100852852\074435-sheets-Alignments-SharedUsePath.dgn



USER NAME = kaleb.hirtzel	DESIGNED -	REVISED -
	DRAWN -	REVISED -
PLOT SCALE = \$SCALE\$	CHECKED -	REVISED -
PLOT DATE = 4/24/2024	DATE -	REVISED -

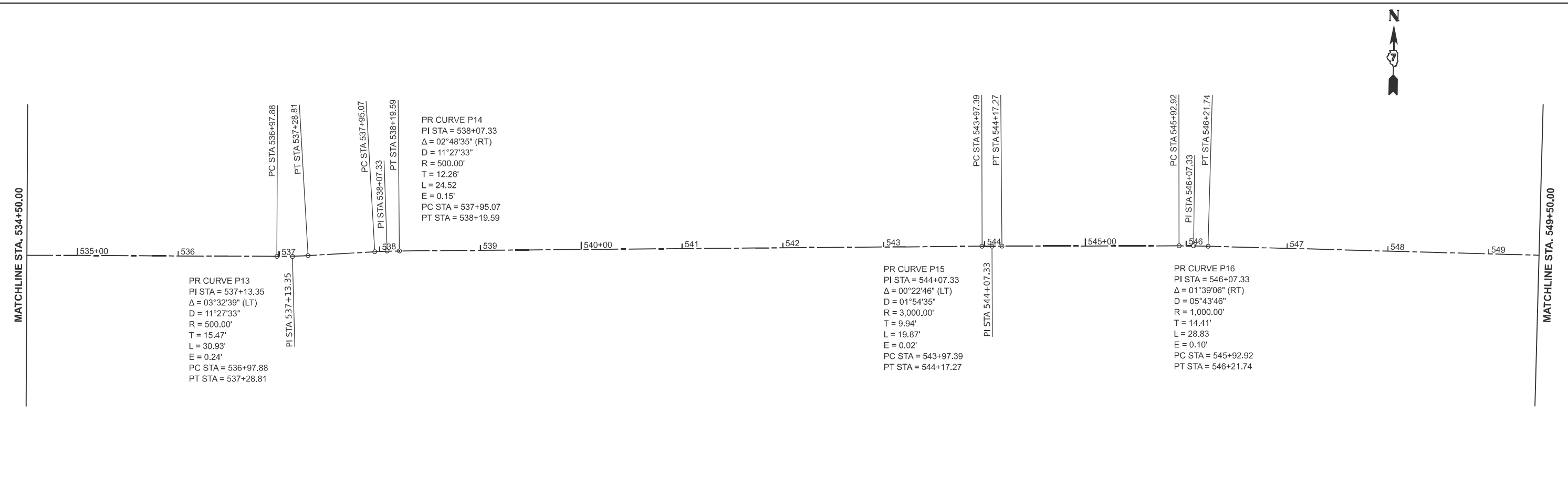
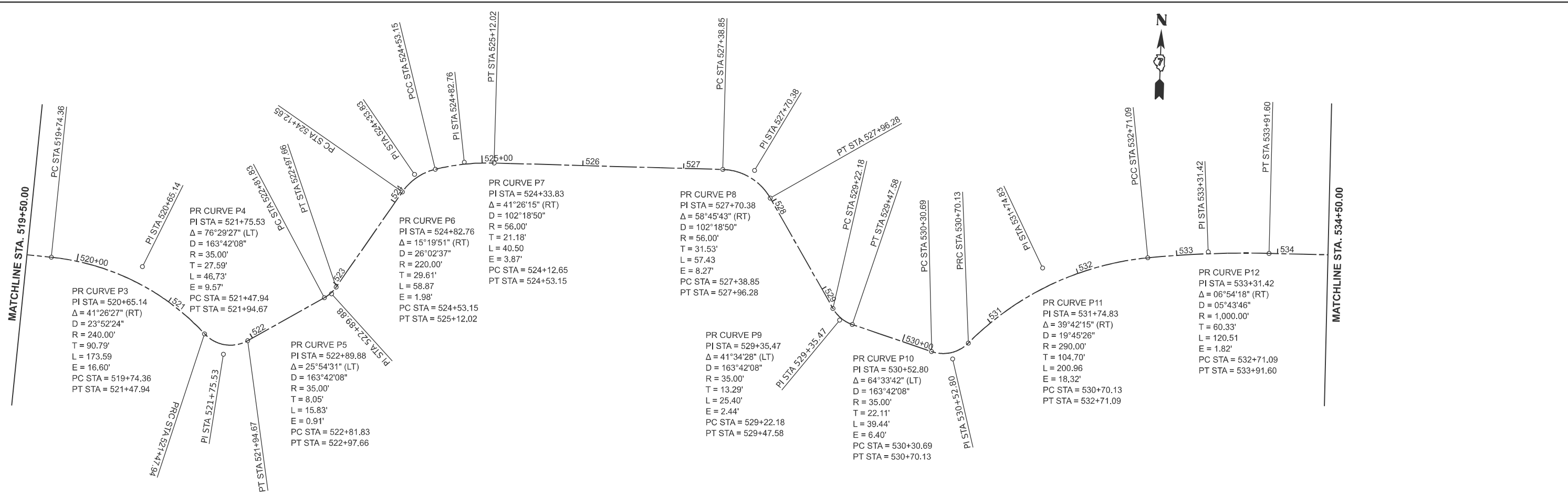
**STATE OF ILLINOIS
 DEPARTMENT OF TRANSPORTATION**

**ALIGNMENTS
 PR SHARED-USE PATH**

SCALE: 1"=50' SHEET 12 OF 16 SHEETS STA. 500+00 TO STA. 519+50.00

F.A.I. RTE.	SECTION	COUNTY	TOTAL SHEETS	SHEET NO.
57	(15-22HB-4)BR (15-22)R	COLES	1086	94
CONTRACT NO. 74435				
ILLINOIS FED. AID PROJECT				

MODEL: PR_BikePath - Shared-Use Path-2 [Sheet]
 FILE NAME: C:\p\work\pwr\hrtz\hrtz\100528252\074435-sheets-Alignments-Shared-Use-Path.dgn



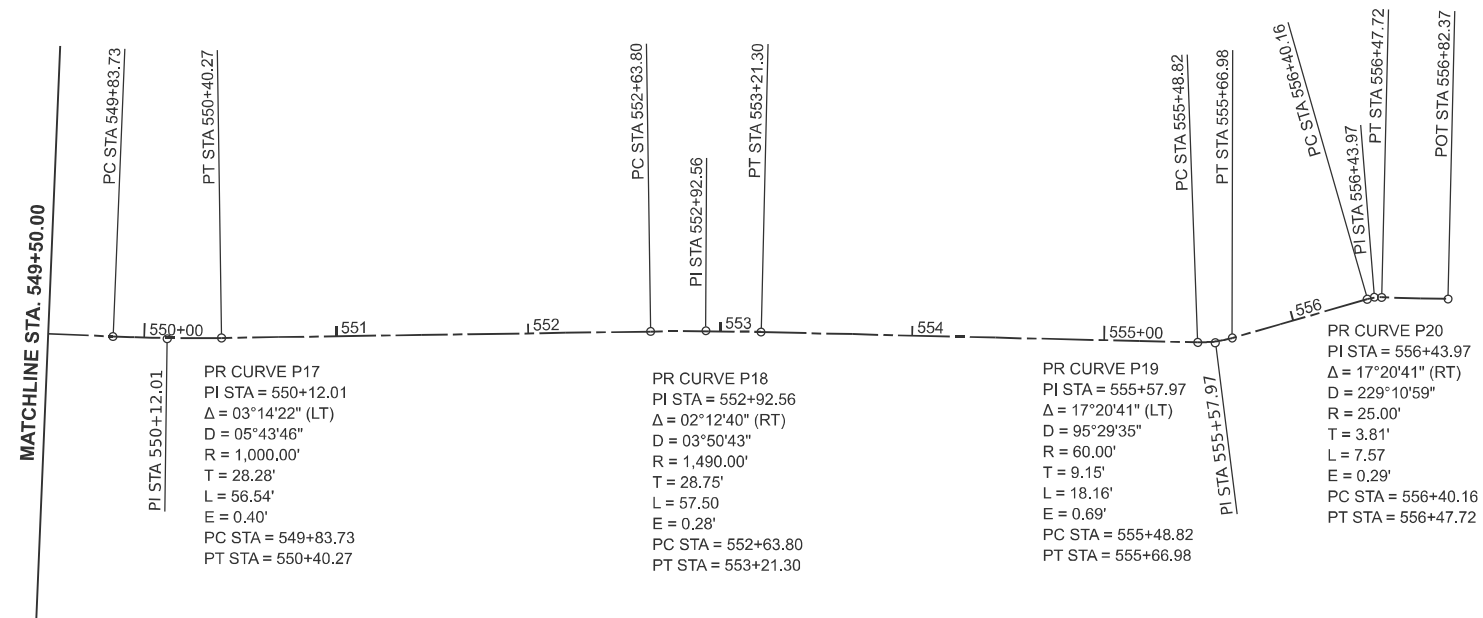
USER NAME = kaleb.hirtzel	DESIGNED -	REVISED -
DRAWN -	REVISED -	REVISED -
PLOT SCALE = \$SCALE\$	CHECKED -	REVISED -
PLOT DATE = 8/19/2024	DATE -	REVISED -

**STATE OF ILLINOIS
DEPARTMENT OF TRANSPORTATION**

**ALIGNMENTS
PR SHARED-USE PATH**

SCALE: 1"=50' SHEET 13 OF 16 SHEETS STA. 519+50.00 TO STA. 549+50.00

F.A.I. RTE.	SECTION	COUNTY	TOTAL SHEETS	SHEET NO.
57	(15-22HB-4)BR (15-22)R	COLES	1086	95
CONTRACT NO. 74435				
ILLINOIS FED. AID PROJECT				



MODEL: PR_BikePath - SharedUse Path-4 [Sheet]
FILE NAME: c:\p\work\wv\hrtz\hrtz\100852852\074435-sheets-Alignments-SharedUsePath.dgn

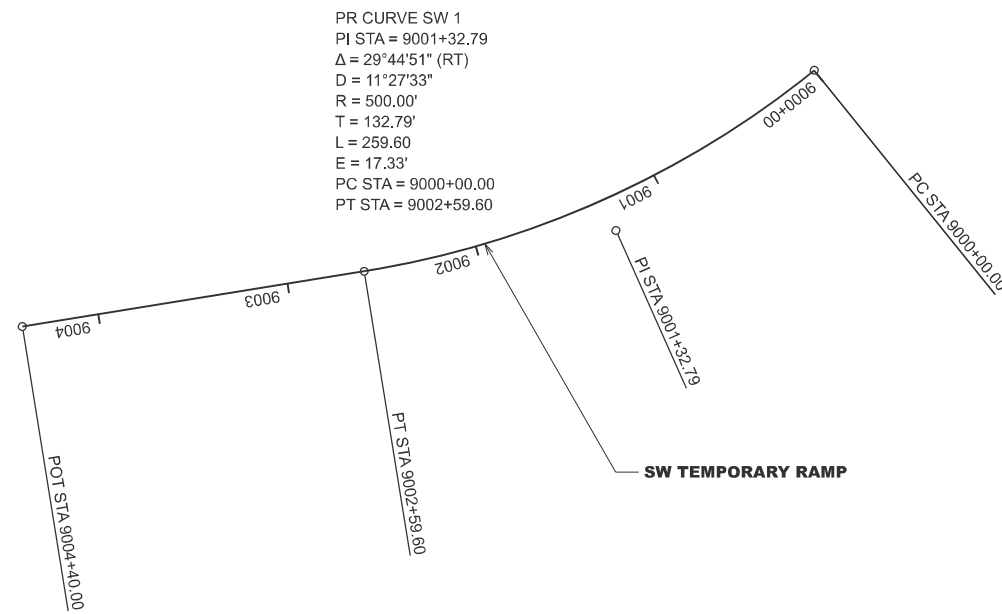
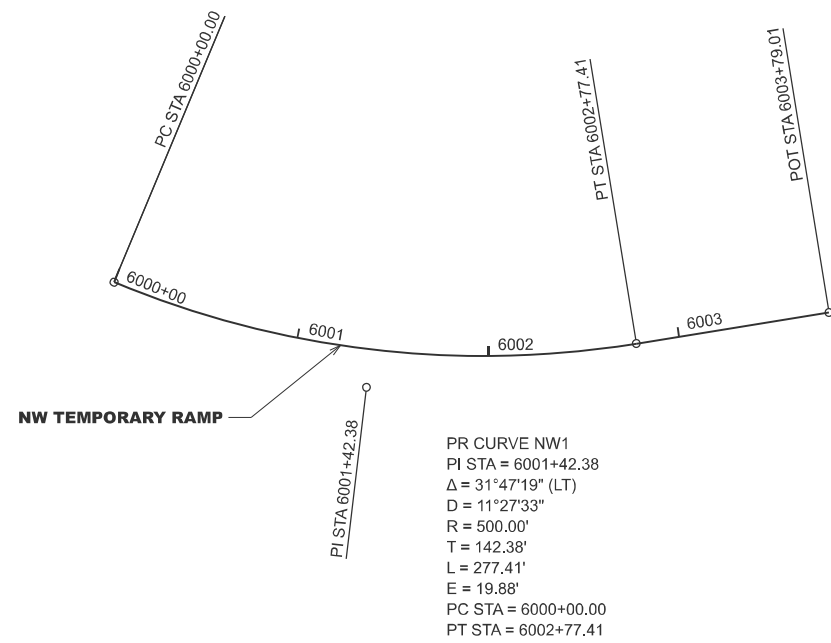
USER NAME = kaleb.hirtzel	DESIGNED -	REVISED -
	DRAWN -	REVISED -
PLOT SCALE = \$SCALE\$	CHECKED -	REVISED -
PLOT DATE = 8/19/2024	DATE -	REVISED -

**STATE OF ILLINOIS
DEPARTMENT OF TRANSPORTATION**

**ALIGNMENTS
PR SHARED-USE PATH**

SCALE: 1"=50' SHEET 14 OF 16 SHEETS STA. 549+50.00 TO STA. 556+82.37

F.A.I RTE.	SECTION	COUNTY	TOTAL SHEETS	SHEET NO.
57	(15-22HB-4)BR (15-22)R	COLES	1086	96
CONTRACT NO. 74435				
ILLINOIS FED. AID PROJECT				



MODEL: NW SW Temp Ramp - NW SW Temp Ramp (Sheet)
 FILE NAME: c:\p\work\kvw\hrtz\kld\0852852\174435-sheets-alignments-TempRamps.dgn

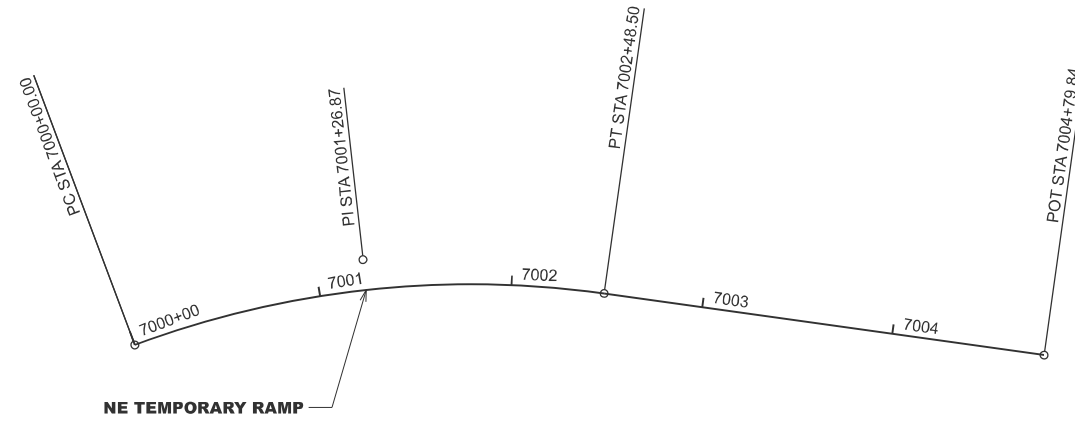
USER NAME = kaleb.hirtzel	DESIGNED -	REVISED -
	DRAWN -	REVISED -
PLOT SCALE = \$SCALE\$	CHECKED -	REVISED -
PLOT DATE = 8/19/2024	DATE -	REVISED -

**STATE OF ILLINOIS
 DEPARTMENT OF TRANSPORTATION**

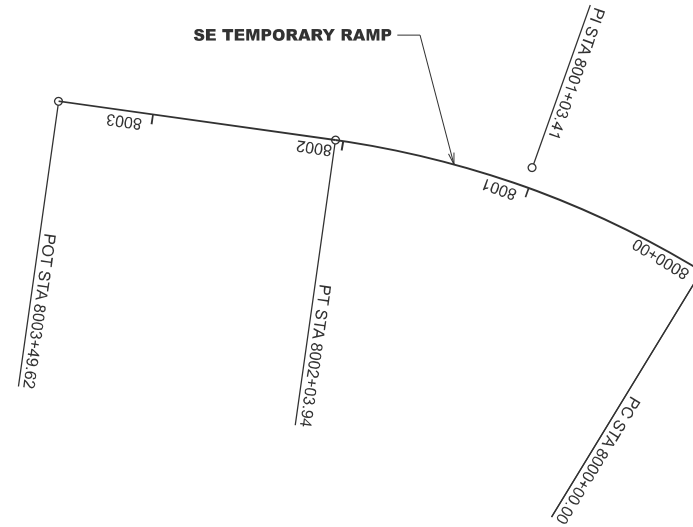
**ALIGNMENTS
 TEMPORARY RAMPS**

SCALE: 1"=50' SHEET 15 OF 16 SHEETS STA. 5997+00.00 TO STA. 6012+00.00

F.A.I RTE.	SECTION	COUNTY	TOTAL SHEETS	SHEET NO.
57	(15-22HB-4)BR (15-22)R	COLES	1086	97
CONTRACT NO. 74435				
ILLINOIS FED. AID PROJECT				



PR CURVE NE1
 PI STA = 7001+26.87
 $\Delta = 28^{\circ}28'32''$ (RT)
 $D = 11^{\circ}27'33''$
 $R = 500.00'$
 $T = 126.87'$
 $L = 248.50'$
 $E = 15.85'$
 PC STA = 7000+00.00
 PT STA = 7002+48.50



PR CURVE SE1
 PI STA = 8001+03.41
 $\Delta = 23^{\circ}22'11''$ (LT)
 $D = 11^{\circ}27'33''$
 $R = 500.00'$
 $T = 103.41'$
 $L = 203.94'$
 $E = 10.58'$
 PC STA = 8000+00.00
 PT STA = 8002+03.94

MODEL: NW SW Temp Ramp - NE SE Temp Ramps (Sheet)
 FILE NAME: c:\p\work\wv\hrtz\hrtz\id0852852\74435-sheets-alignments-TempRamps.dgn

USER NAME = kaleb.hirtzel	DESIGNED -	REVISED -
	DRAWN -	REVISED -
PLOT SCALE = \$SCALE\$	CHECKED -	REVISED -
PLOT DATE = 4/24/2024	DATE -	REVISED -

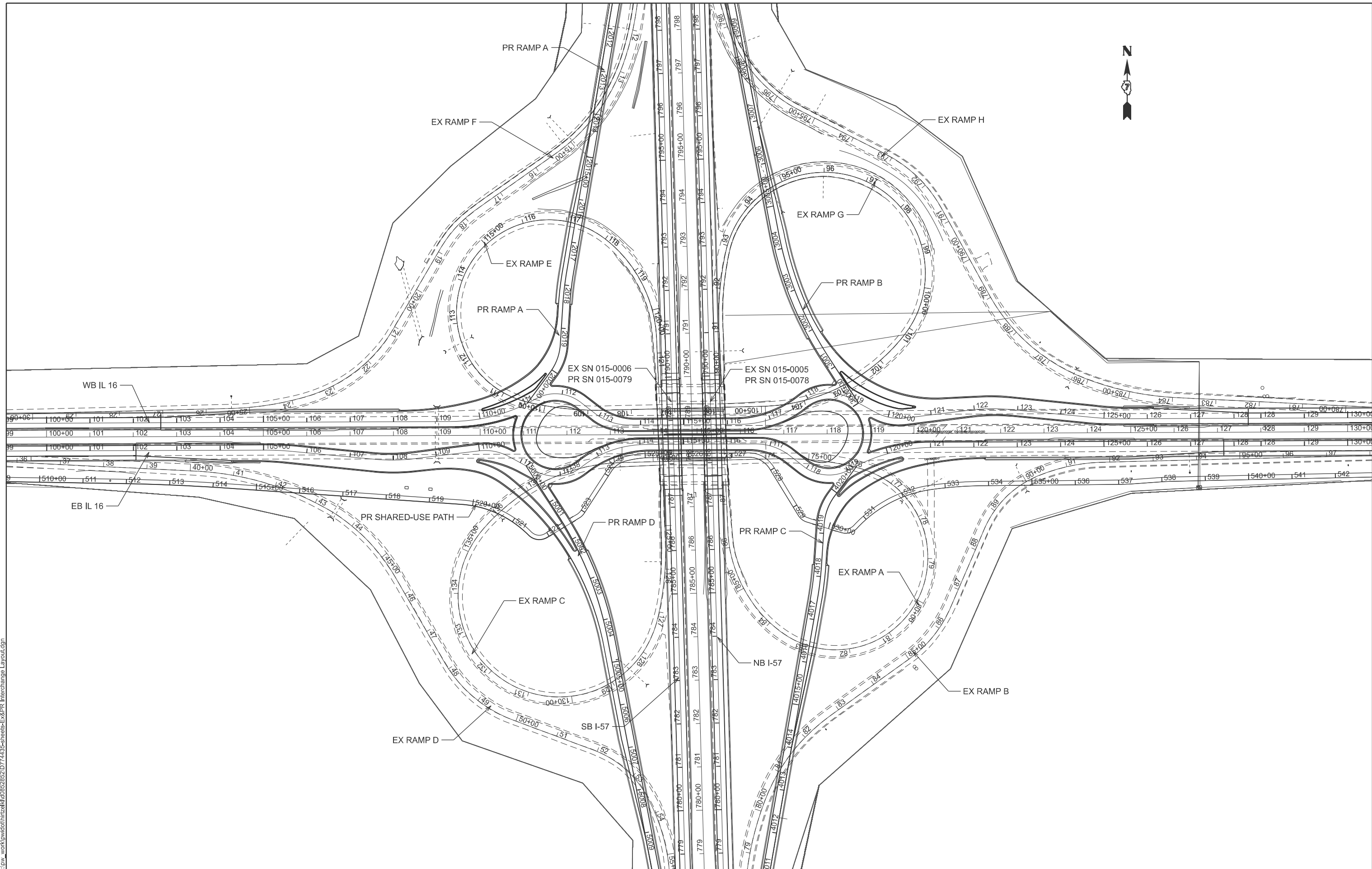
**STATE OF ILLINOIS
 DEPARTMENT OF TRANSPORTATION**

**ALIGNMENTS
 TEMPORARY RAMPS**

SCALE: 1"=50' SHEET 16 OF 16 SHEETS STA. 6997+00.00 TO STA. 7012+00.00

F.A.I RTE.	SECTION	COUNTY	TOTAL SHEETS	SHEET NO.
57	(15-22HB-4)BR (15-22)R	COLES	1086	98
ILLINOIS			FED. AID PROJECT	

CONTRACT NO. 74435



MODEL: Interchange Layout (Sheet)
 FILE NAME: c:\p\work\p\work\hrtz\k\id0852852\0774435-sheets-EX&PR Interchange Layout.dgn

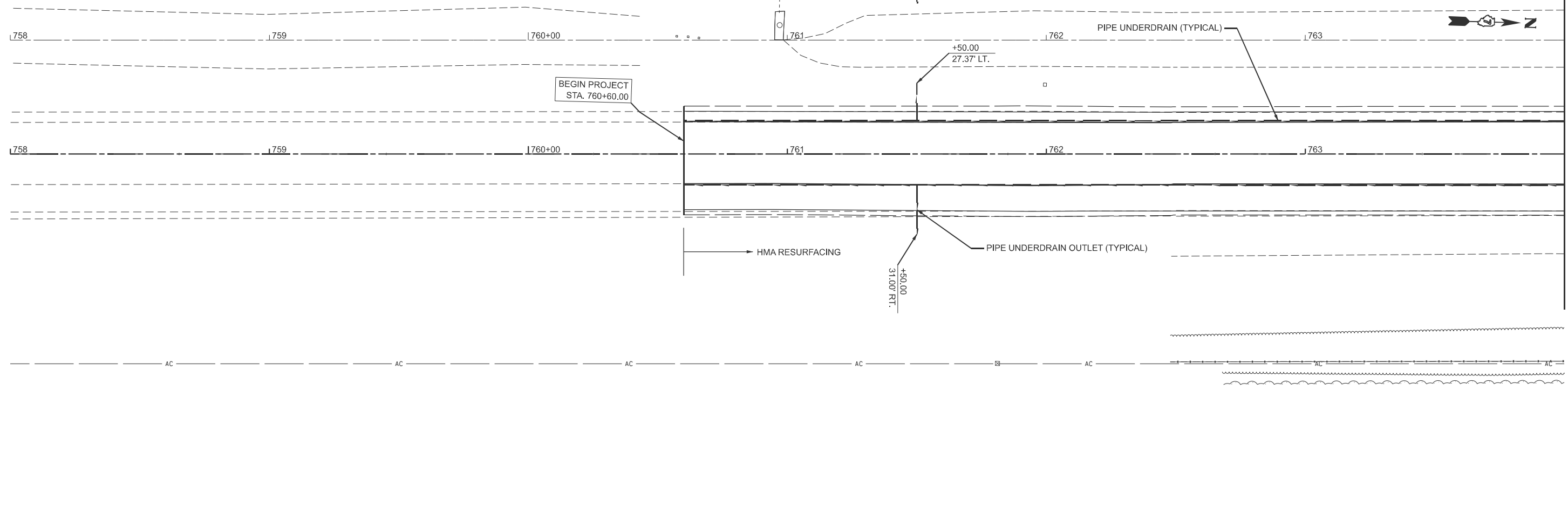
USER NAME = kaleb.hirtzel	DESIGNED -	REVISED -
	DRAWN -	REVISED -
PLOT SCALE = \$SCALE\$	CHECKED -	REVISED -
PLOT DATE = 4/24/2024	DATE -	REVISED -

STATE OF ILLINOIS
DEPARTMENT OF TRANSPORTATION

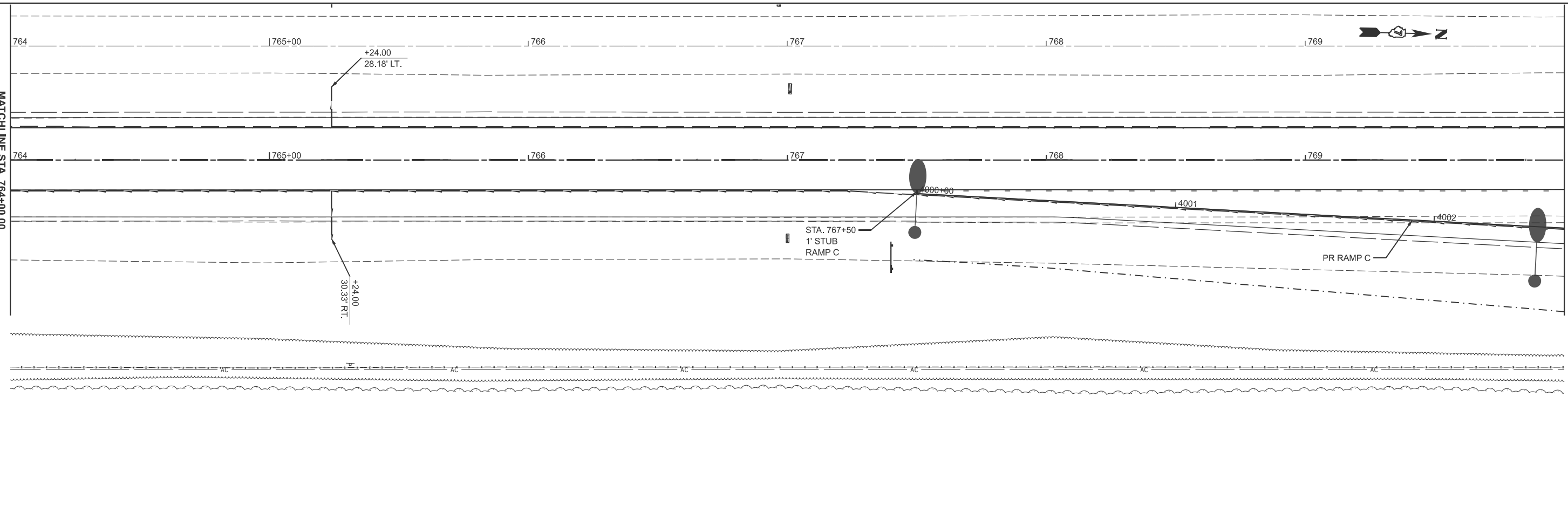
EX & PR INTERCHANGE LAYOUT

SCALE: 1" = 100' SHEET 1 OF 1 SHEETS STA. TO STA.

F.A. RTE.	SECTION	COUNTY	TOTAL SHEETS	SHEET NO.
	(15-22HB-4)BR (15-22)R	COLES	1086	99
CONTRACT NO.				
ILLINOIS FED. AID PROJECT				



MATCHLINE STA. 764+00.00



MATCHLINE STA. 764+00.00

MATCHLINE STA. 770+00.00

MODEL: PANB68 - NB 57 Plan Only (Sheet)
FILE NAME: c:\p\work\wv\hrtz\hrtz\0852852\0774435-sheets-Plan&Profile-NB 157.dgn

USER NAME = kaleb.hirtzel	DESIGNED -	REVISED -
	DRAWN -	REVISED -
PLOT SCALE = \$SCALE\$	CHECKED -	REVISED -
PLOT DATE = 8/19/2024	DATE -	REVISED -

**STATE OF ILLINOIS
DEPARTMENT OF TRANSPORTATION**

**Plan & Profile
NB I-57**

SCALE: 1"=20' SHEET 1 OF 11 SHEETS STA. 758+00.00 TO STA. 770+00.00

F.A.I RTE.	SECTION	COUNTY	TOTAL SHEETS	SHEET NO.
57	(15-22HB-4)BR (15-22)R	COLES	1086	100
CONTRACT NO. 74435				
ILLINOIS FED. AID PROJECT				