

STATE OF ILLINOIS
DEPARTMENT OF TRANSPORTATION

F.A.P. RTE.	SECTION	COUNTY	TOTAL SHEETS	SHEET NO.
726	127RS-6	Franklin	20	1
		ILLINOIS	CONTRACT NO. 78B59	

FOR INDEX OF SHEETS, SEE SHEET NO. 3
TRAFFIC DATA

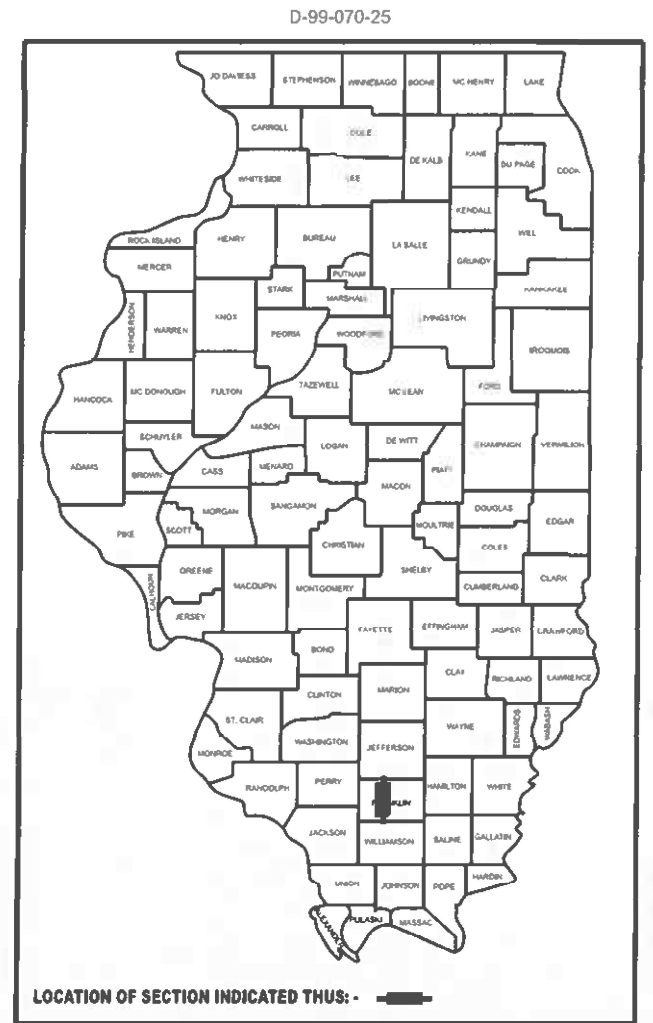
	2026	2036	2046
PV =	5,085	5,620	6,210
SU =	125	135	150
MU =	40	45	50
ADT =	5,250	5,800	6,410

TOWNSHIPS
TYRONE

**PROPOSED
HIGHWAY PLANS**

FAP ROUTE 726 (IL 148)
SECTION 127RS-6
PROJECT : NHPP-JCIS(493)
RESURFACING / ADA RAMP IMPROVEMENTS
FRANKLIN COUNTY

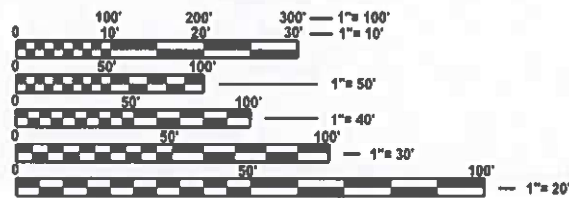
C-99-103-25



DESIGN DESIGNATION :

COORDINATE SYSTEM : EPSG:102671
NAD 1983 StatePlane
Illinois East FIPS 1201

POSTED SPEED : 55 MPH
45 MPH
40 MPH
35 MPH
25 MPH, 20 MPH

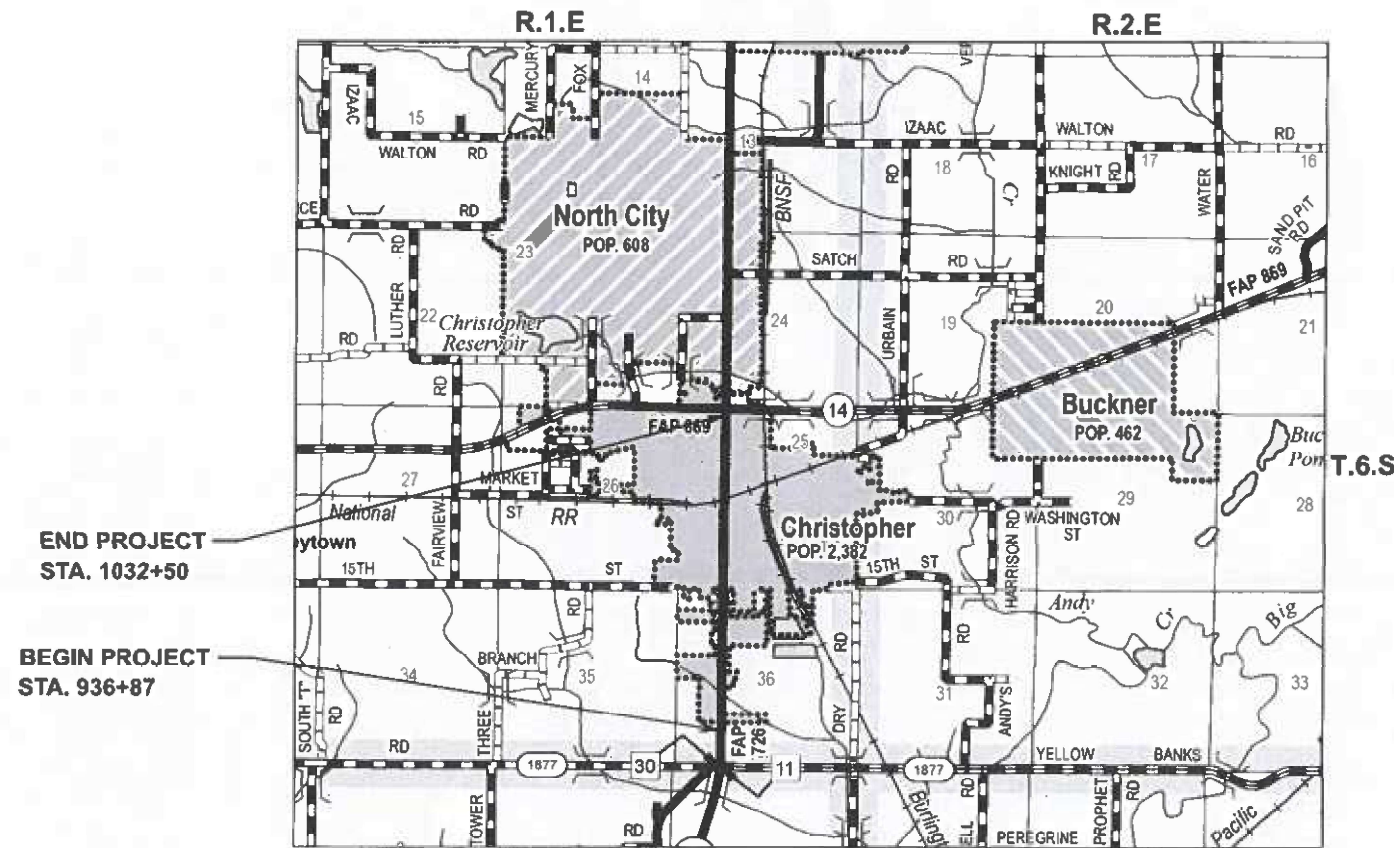


FULL SIZE PLANS HAVE BEEN PREPARED USING STANDARD ENGINEERING SCALES. REDUCED SIZED PLANS WILL NOT CONFORM TO STANDARD SCALES. IN MAKING MEASUREMENTS ON REDUCED PLANS, THE ABOVE SCALES MAY BE USED.

J.U.L.I.E.
JOINT UTILITY LOCATION INFORMATION FOR EXCAVATION
1-800-892-0123
OR 811

PROJECT ENGINEER : MADHUKAR REDDY JANGA
PROJECT MANAGER : VALERIE ROLLA

CONTRACT NO. 78B59



STATE OF ILLINOIS
DEPARTMENT OF TRANSPORTATION

SUBMITTED March 5 2026
Lora S. Ronsimer
REGIONAL ENGINEER

May 8 2026
[Signature]
ENGINEER OF DESIGN AND ENVIRONMENT

May 8 2026
[Signature]
DIRECTOR OF HIGHWAYS PROJECT IMPLEMENTATION

**PRINTED BY THE AUTHORITY
OF THE STATE OF ILLINOIS**

MODEL: 02-Signature (Sheet)
FILE NAME: C:\msdcs\madhukar.janga\lms\pdx\118345978B59_2d-Cover.dgn

Prepared By: Susan Poe
DISTRICT STUDIES & PLANS ENGINEER

Examined By: Nancy Lee
DISTRICT LAND ACQUISITION ENGINEER

Examined By: [Signature]
DISTRICT PROGRAM DEVELOPMENT ENGINEER

Examined By: [Signature]
DISTRICT OPERATIONS ENGINEER

Examined By: _____
DISTRICT PROJECT IMPLEMENTATION ENGINEER

Examined By: [Signature]
DISTRICT CONSTRUCTION ENGINEER

Examined By: Aan Wang
DISTRICT MATERIALS ENGINEER

USER NAME = madhukar.janga	DESIGNED -	REVISED -	STATE OF ILLINOIS DEPARTMENT OF TRANSPORTATION	SIGNATURE SHEET		F.A.P. RTE. 726	SECTION 127R5-6	COUNTY Franklin	TOTAL SHEETS 20	SHEET NO. 2
	DRAWN -	REVISED -		SCALE:	SHEET 2	OF 20	SHEETS	STA.	TO STA.	ILLINOIS FED. AID PROJECT
	CHECKED -	REVISED -		CONTRACT NO. 78B59						
PLOT DATE = 3/4/2026	DATE -	REVISED -								

FACTORS USED FOR ESTIMATING PLAN QUANTITIES ARE AS FOLLOWS AND SHALL NOT BE USED FOR THE BASIS OF FINAL QUANTITIES:

ALL HOT MIX ASPHALT 2.016 TONS/CU. YD.
 ALL AGGREGATE 2.05 TONS/CU. YD.

THE QUANTITY OF SHORT TERM PAVEMENT MARKING SHOWN IN THE PLANS IS BASED ON ONE APPLICATION EACH FOR THE HMA SURFACE REMOVAL, BINDER COURSE, AND SURFACE COURSE

HMA RESURFACING SHALL BE PLACED IN A SEQUENCE THAT WILL MINIMIZE THE TIME THE CENTERLINE EDGE IS EXPOSED TO TRAFFIC. WHEN AT THE END OF A DAY'S OPERATION THE EXPOSED CENTERLINE EDGE IS GREATER THAN 2,000 FT, THE CONTRACTOR SHALL BE REQUIRED TO PAVE IN THE ADJACENT LANE ON THE FOLLOWING WORK DAY. PRIOR TO WINTER SHUTDOWN, RESURFACING ON ADJACENT LANES IS TO BE BROUGHT UP TO THE SAME ELEVATION.

LONGITUDINAL JOINT SEALANT SHALL BE PLACED UNDER THE HMA SURFACE COURSE

VIBRATORY ROLLERS WILL NOT BE ALLOWED WITHIN THE CORPORATE LIMITS OF CHRISTOPHER.

INCIDENTAL HOT-MIX ASPHALT SURFACING SHALL BE PAVED IN A SEPARATE OPERATION FROM THE MAINLINE PAVEMENT

REVISE STANDARD SPECIFICATIONS ARTICLE 107.12, PARAGRAPH 5, LAST SENTENCE TO READ: 'ALL OTHER RAILROAD FLAGGER COSTS WILL BE INCURRED BY THE DEPARTMENT ACCORDING TO ARTICLE 109.05.'

COMMITMENTS: NONE

INDEX OF SHEETS

SHEET NO	DESCRIPTION
1	COVER SHEET
2	SIGNATURE SHEET
3	INDEX OF SHEETS, HIGHWAY STANDARDS, GENERAL NOTES, MTD CROSSING RESTRICTIONS
4	MIX DESIGN
5-8	SUMMARY OF QUANTITIES
9-10	TYPICAL SECTIONS
11-15	SCHEDULES
16-17	ADA
18-20	SIDEROADS, AND TRANSITIONS AND TEMP. HMA TRANSITIONS

HIGHWAY STANDARDS

- 000001-09 STANDARD SYMBOLS, ABBREVIATIONS, AND PATTERNS
- 001006 DECIMAL OF AN INCH AND OF A FOOT
- 424001-12 PERPENDICULAR CURB RAMPS FOR SIDEWALKS
- 424006-06 DIAGONAL CURB RAMPS FOR SIDEWALKS
- 442201-04 CLASS C AND D PATCHES
- 482011-03 HMA SHLD. STRIPS. WITH RESURFACING OR WIDENING AND RESURFACING F
- 606001-09 CONCRETE CURB TYPE B AND COMBINATION CONCRETE CURB AND GUTTER
- 642006-01 SHOULDER RUMBLE STRIPS, 8 IN
- 701001-02 OFF-ROAD OPERATIONS, 2L, 2W, MORE THAN 15 FT (4.5M) AWAY
- 701006-05 OFF-ROAD OPERATIONS, 2L, 2W, 15 FT (4.5M) TO 24_ (600MM) FROM PAVE
- 701011-04 OFF-ROAD OPERATIONS, 2L, 2W, DAY ONLY
- 701301-04 LANE CLOSURE, 2L, 2W, SHORT TIME OPERATIONS
- 701306-04 LANE CLOSURE, 2L, 2W, SLOW MOVING OPERATIONS DAY ONLY, FOR SPEET
- 701311-03 LANE CLOSURE 2L, 2W MOVING OPERATIONS- DAY ONLY
- 701336-07 LANE CLOSURE, 2L, 2W, WORK AREAS IN SERIES FOR SPEEDS = 45 MPH
- 701501-06 URBAN LANE CLOSURE, 2L, 2W, UNDIVIDED
- 701801-06 SIDEWALK, CORNER OR CROSSWALK CLOSURE
- 701901-11 TRAFFIC CONTROL DEVICES
- 780001-05 TYPICAL PAVEMENT MARKINGS
- 781001-01 TYPICAL APPLICATIONS RAISED REFELCTIVE PAVEMENT MARKERS

MTD CROSSING RESTRICTIONS

SN(ROUTE)	APPROX. STA	MAXIMUM GROSS WEIGHT RESTRICTIONS (TONS)	MTD CROSSING RESTRICTION
028-7124 (IL 148)	976+50	40.0	EMPTY
028-7900 (IL 148)	991+80	40.0	EMPTY

MODEL: Index Sheet (Sheet)
FILE NAME: c:\p\work\road\rolland1148245\Index_Sheet.dgn

USER NAME = valerie.rolia	DESIGNED -	REVISED -
	DRAWN -	REVISED -
	CHECKED -	REVISED -
PLOT DATE = 3/20/2026	DATE -	REVISED -

STATE OF ILLINOIS
DEPARTMENT OF TRANSPORTATION

INDEX OF SHEET, HIGHWAY STANDARDS, GENERAL NOTES, MTD CROSSING RESTRICTIONS

SCALE: SHEET 3 OF 20 SHEETS STA. TO STA.

F.A.P. RTE.	SECTION	COUNTY	TOTAL SHEETS	SHEET NO.
726	127RS-6	Franklin	20	3
CONTRACT NO. 78B59				
ILLINOIS FED. AID PROJECT				

HMA MIXTURE REQUIREMENTS TABLES

The following HMA mixture requirements are applicable for this project

Locations	Hot-Mix Asphalt Surface Course
Mixture Use(s):	Hot-Mix Asphalt Surface Course, Mix D, N70
AB/PG:	PG64-2
ABR % (Max):	See Special Provision
Design Air Voids:	4.0%, 70 Gyration Design
Mixture Composition:	IL-9.5mm
(Gradation Mixture)	
Friction Aggregate:	Mix D
Mixture Weight:	112 lbs/Sq Yd/in
Quality Management Program:	QCP
Sublot Size:	1,000 tons
Material Transfer Device (Required?)	Yes

Locations	Binder Course 1 1/2"
Mixture Use(s):	Hot-Mix Asphalt Binder Course, IL-9.5FG, N70
AB/PG:	PG64-22
ABR % (Max):	See Special Provision
Design Air Voids:	4.0 %, 70 Gyration Design
Mixture Composition:	IL-9.5mm Fine Graded
(Gradation Mixture)	
Friction Aggregate:	None
Mixture Weight:	112 lbs/Sq Yd/in
Quality Management Program:	QCP
Sublot Size:	1,000 tons
Material Transfer Device (Required?)	Yes

Locations	Hot Mix Asphalt Shoulders, Incidental Hot-Mix Asphalt Surfacing
Mixture Use(s):	Hot-Mix Asphalt Surface Course, Mix C, N30
AB/PG:	PG64-22
ABR % (Max):	See Special Provision
Design Air Voids:	4.0%, 30 Gyration Design
Mixture Composition:	IL-9.5L
(Gradation Mixture)	
Friction Aggregate:	None
Mixture Weight:	112 lbs/Sq Yd/in
Quality Management Program:	QC/OA
Sublot Size:	3,000 tons
Material Transfer Device (Required?)	No

MODEL: Mix Design (Sheet)
FILE NAME: c:\p\work\148245\HMA Mixture Requirements.dgn

USER NAME = madhukar.janga	DESIGNED -	REVISED -
	DRAWN -	REVISED -
	CHECKED -	REVISED -
PLOT DATE = 3/4/2026	DATE -	REVISED -

**STATE OF ILLINOIS
DEPARTMENT OF TRANSPORTATION**

MIX DESIGN

SCALE: SHEET 4 OF 20 SHEETS STA. TO STA.

F.A.P. RTE.	SECTION	COUNTY	TOTAL SHEETS	SHEET NO.
7026	127R&RS-6	Franklin	20	4
CONTRACT NO. 78B59				
ILLINOIS FED. AID PROJECT				

SUMMARY OF QUANTITIES

COUNTY:	FRANKLIN CO
ROUTE:	IL 148
FUNDING:	80% FEDERAL 20% STATE
LOCATION:	URBAN
	ROADWAY
	0005

CODE NUMBER	ITEM DESCRIPTION	UNIT	TOTAL QUANTITY	
40600290	BITUMINOUS MATERIALS (TACK COAT)	POUND	17418	17418
40600370	LONGITUDINAL JOINT SEALANT	FOOT	9534	9534
40600405	MATERIAL TRANSFER DEVICE	TON	4272	4272
40600982	HOT-MIX ASPHALT SURFACE REMOVAL - BULL JOINT	SQ YD	245	245
40600990	TEMPORARY RAMP	SQ YD	129	129
40602970	HOT-MIX ASPHALT BINDER COURSE, IL-9.5FG, N70	TON	2136	2136
40604062	HOT-MIX ASPHALT SURFACE COURSE, IL-9.5, MIX "D", N70	TON	2136	2136
40800050	INCIDENTAL HOT-MIX ASPHALT SURFACING	TON	21	21
42001300	PROTECTIVE COAT	SQ YD	43	43
42400200	PORTLAND CEMENT CONCRETE SIDEWALK 5 INCH	SQ FT	395	395
42400800	DETECTABLE WARNINGS	SQ FT	139	139
44000153	HOT-MIX ASPHALT SURFACE REMOVAL, 1"	SQ YD	11496	11496
44000161	HOT-MIX ASPHALT SURFACE REMOVAL, 3"	SQ YD	14251	14251

MODEL: SUMMARY OF QUANTITIES [Sheet]
FILE NAME: c:\p\work\pwr\kropen\1148245\Summary of Quantities.dgn

USER NAME = madhukar.janga	DESIGNED -	REVISED -	STATE OF ILLINOIS DEPARTMENT OF TRANSPORTATION	SUMMARY OF QUANTITIES				F.A.P RTE.	SECTION	COUNTY	TOTAL SHEETS	SHEET NO.	
	DRAWN -	REVISED -		SCALE:	SHEET 5	OF 20	SHEETS	STA.	TO STA.	127RS-6	Franklin	20	5
	CHECKED -	REVISED -		CONTRACT NO. 78B59									
PLOT DATE = 3/4/2026	DATE -	REVISED -		ILLINOIS FED. AID PROJECT									

SUMMARY OF QUANTITIES - CONT

COUNTY:	FRANKLIN CO
ROUTE:	IL 148
FUNDING:	80% FEDERAL 20% STATE
LOCATION:	URBAN
	ROADWAY
	0005

CODE NUMBER	ITEM DESCRIPTION	UNIT	TOTAL QUANTITY	
44000500	COMBINATION CURB AND GUTTER REMOVAL	FOOT	179	179
44000600	SIDEWALK REMOVAL	SQ FT	388	388
44201423	CLASS C PATCHES, TYPE I, 16 INCH	SQ YD	19	19
44201427	CLASS C PATCHES, TYPE II, 16 INCH	SQ YD	453	453
44201431	CLASS C PATCHES, TYPE III, 16 INCH	SQ YD	66	66
44201433	CLASS C PATCHES, TYPE IV, 16 INCH	SQ YD	1875.56	1875.56
48102100	AGGREGATE WEDGE SHOULDER, TYPE B	TON	239	239
48203100	HOT-MIX ASPHALT SHOULDERS	TON	55	55
60603800	COMBINATION CONCRETE CURB AND GUTTER, TYPE B-6.12	FOOT	182	182
67100100	MOBILIZATION	L SUM	1	1
70100460	TRAFFIC CONTROL AND PROTECTION, STANDARD 701306	L SUM	1	1
70100600	TRAFFIC CONTROL AND PROTECTION, STANDARD 701336	L SUM	1	1
70102620	TRAFFIC CONTROL AND PROTECTION, STANDARD 701501	L SUM	1	1

MODEL: SUMMARY OF QUANTITIES-1 (Sheet)
FILE NAME: c:\p\work\pwr\kropend\148245\Summary of Quantities.dgn

SUMMARY OF QUANTITIES - CONT

COUNTY:	FRANKLIN CO
ROUTE:	IL 148
FUNDING:	80% FEDERAL 20% STATE
LOCATION:	URBAN
	ROADWAY
	0005

CODE NUMBER	ITEM DESCRIPTION	UNIT	TOTAL QUANTITY	
70102640	TRAFFIC CONTROL AND PROTECTION, STANDARD 701801	L SUM	1	1
70107025	CHANGEABLE MESSAGE SIGN	CAL DA	28	28
70300100	SHORT TERM PAVEMENT MARKING	FOOT	2898	2898
70300150	SHORT TERM PAVEMENT MARKING REMOVAL	SQ FT	966	966
70300211	TEMPORARY PAVEMENT MARKING LETTERS AND SYMBOLS - PAINT	SQ FT	123	123
70300221	TEMPORARY PAVEMENT MARKING - LINE 4"- PAINT	FOOT	12477	12477
70300241	TEMPORARY PAVEMENT MARKING - LINE 6"- PAINT	FOOT	302	302
70300261	TEMPORARY PAVEMENT MARKING - LINE 12"- PAINT	FOOT	282	282
70300281	TEMPORARY PAVEMENT MARKING - LINE 24"- PAINT	FOOT	121	121
* 78000400	THERMOPLASTIC PAVEMENT MARKING - LINE 6"	FOU1	302	302
* 78000600	THERMOPLASTIC PAVEMENT MARKING - LINE 12"	FOOT	282	282
* 78000650	THERMOPLASTIC PAVEMENT MARKING - LINE 24"	FOOT	121	121
* 78001100	PAINT PAVEMENT MARKING - LETTERS AND SYMBOLS	SQ FT	123	123

* SPECIALTY ITEM

MODEL: Summary of Quantities-2 (Sheet)
FILE NAME: c:\p\work\pav\kropen\148245\Summary of Quantities.dgn

USER NAME = ellise.knop	DESIGNED -	REVISED -	STATE OF ILLINOIS DEPARTMENT OF TRANSPORTATION	SUMMARY OF QUANTITIES				F.A.P RTE.	SECTION	COUNTY	TOTAL SHEETS	SHEET NO.
	DRAWN -	REVISED -		SCALE:	SHEET 7	OF 20	SHEETS	STA.	TO STA.	Franklin	20	7
	CHECKED -	REVISED -						127RS-6		CONTRACT NO. 78B59		
PLOT DATE = 3/19/2026	DATE -	REVISED -		ILLINOIS FED. AID PROJECT								

SUMMARY OF QUANTITIES - CONT

COUNTY:	FRANKLIN CO
ROUTE:	IL 148
FUNDING:	80% FEDERAL 20% STATE
LOCATION:	URBAN
	ROADWAY
	0005

CODE NUMBER	ITEM DESCRIPTION	UNIT	TOTAL QUANTITY	
* 78001110	PAINT PAVEMENT MARKING - LINE 4"	FOOT	12477	12477
* 78100100	RAISED REFLECTIVE PAVEMENT MARKER	EACH	121	121
78300200	RAISED REFLECTIVE PAVEMENT MARKER REMOVAL	EACH	121	121
78300201	PAVEMENT MARKING REMOVAL - GRINDING	SQ FT	4957	4957
Z0048665	RAILROAD PROTECTIVE LIABILITY INSURANCE	L SUM	1	1

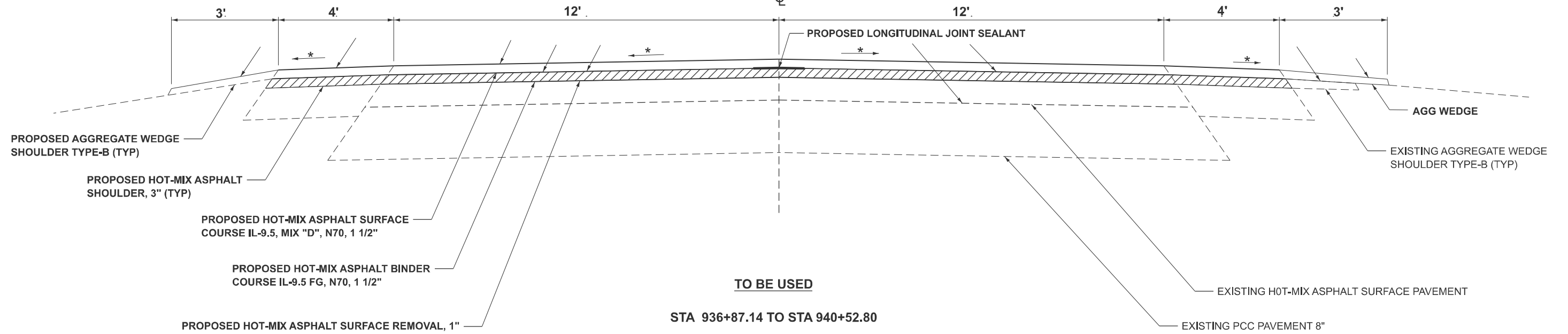
* SPECIALTY ITEM

MODEL: Untitled2 [Sheet]
FILE NAME: c:\p\work\pav\kropenid1148245\Summary of Quantities.dgn

USER NAME = elise.knop	DESIGNED -	REVISED -	STATE OF ILLINOIS DEPARTMENT OF TRANSPORTATION	SUMMARY OF QUANTITIES	F.A.P. RTE.	SECTION	COUNTY	TOTAL SHEETS	SHEET NO.	
	DRAWN -	REVISED -			726	127RS-6	Franklin	20	8	
	CHECKED -	REVISED -			CONTRACT NO. 78B59					
PLOT DATE = 3/19/2026	DATE -	REVISED -			SCALE:	SHEET 8	OF 20 SHEETS	STA.	TO STA.	ILLINOIS

FAP 726
IL 148

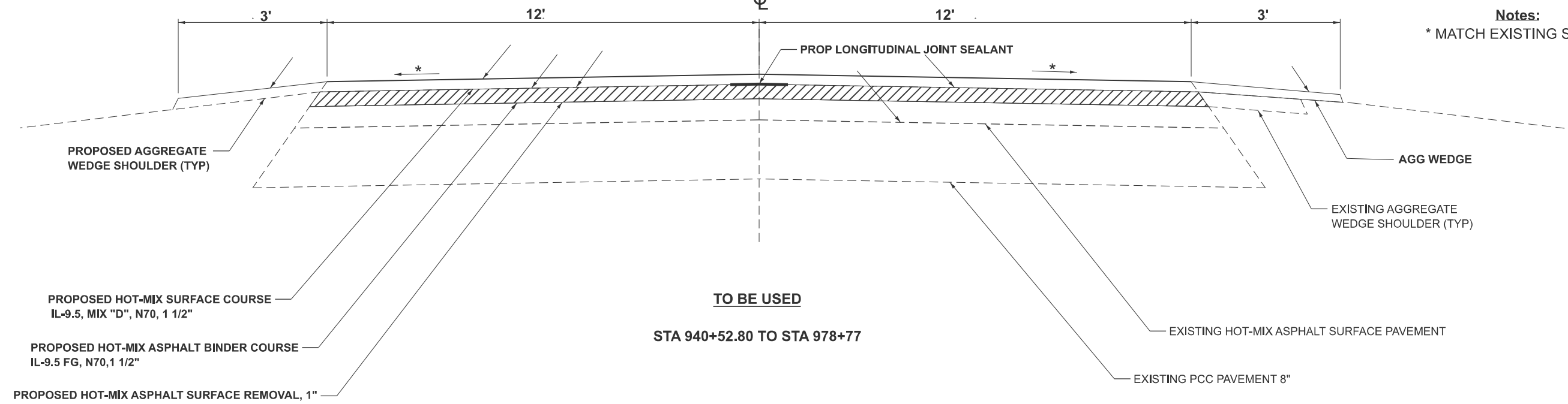
Notes:
* MATCH EXISTING SLOPE



TO BE USED
STA 936+87.14 TO STA 940+52.80

FAP 726
IL 148

Notes:
* MATCH EXISTING SLOPE



TO BE USED
STA 940+52.80 TO STA 978+77

MODEL: TYPICAL SECTION (Sheet)
FILE NAME: c:\p\work\726\148\148245\Typical section.dgn

USER NAME = ellise.knop	DESIGNED -	REVISED -
	DRAWN -	REVISED -
	CHECKED -	REVISED -
PLOT DATE = 3/19/2026	DATE -	REVISED -

STATE OF ILLINOIS
DEPARTMENT OF TRANSPORTATION

TYPICAL SECTIONS

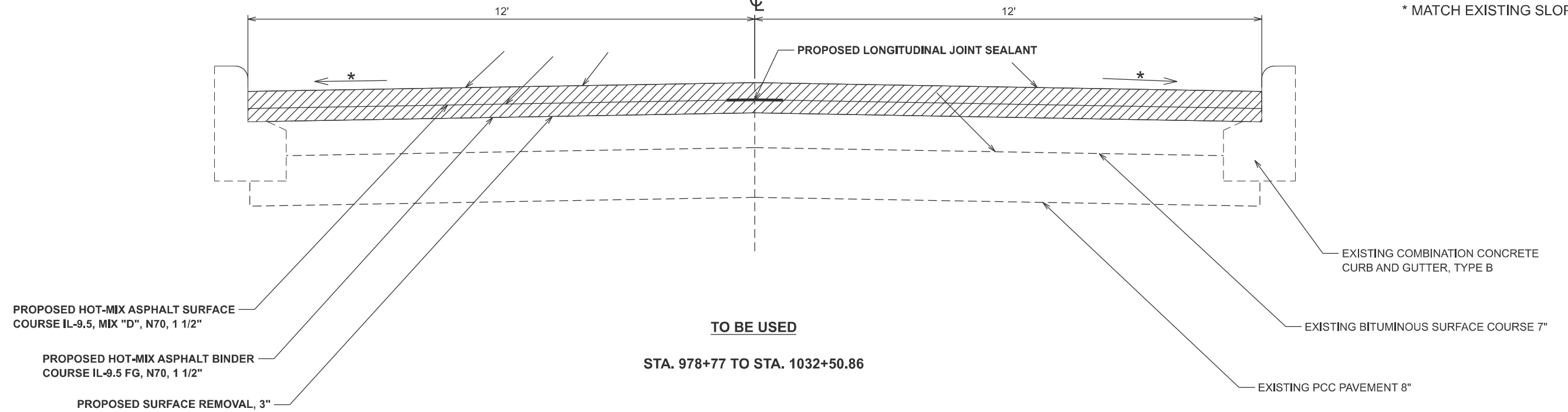
SCALE: SHEET 9 OF 20 SHEETS STA. TO STA.

F.A.P. RTE.	SECTION	COUNTY	TOTAL SHEETS	SHEET NO.
726	127RS-6	Franklin	20	9
CONTRACT NO. 78B59				
ILLINOIS FED. AID PROJECT				

FAP 726

IL 148

Notes:
* MATCH EXISTING SLOPE



PROPOSED HOT-MIX ASPHALT SURFACE
COURSE IL-9.5, MIX "D", N70, 1 1/2"

PROPOSED HOT-MIX ASPHALT BINDER
COURSE IL-9.5 FG, N70, 1 1/2"

PROPOSED SURFACE REMOVAL, 3"

TO BE USED

STA. 978+77 TO STA. 1032+50.86

EXISTING COMBINATION CONCRETE
CURB AND GUTTER, TYPE B

EXISTING BITUMINOUS SURFACE COURSE 7"

EXISTING PCC PAVEMENT 8"

MODEL: Typical Section-1 (Sheet)
FILE NAME: c:\p\work\project\kropen\1148245\Typical section.dgn

USER NAME = Madhukar.Janga	DESIGNED -	REVISED -
	DRAWN -	REVISED -
	CHECKED -	REVISED -
PLOT DATE = 3/9/2026	DATE -	REVISED -

**STATE OF ILLINOIS
DEPARTMENT OF TRANSPORTATION**

TYPICAL SECTIONS

SCALE: SHEET 10 OF 20 SHEETS STA. TO STA.

F.A.P. RTE.	SECTION	COUNTY	TOTAL SHEETS	SHEET NO.
726	127RS-6	Franklin	20	10
CONTRACT NO. 78B59				
ILLINOIS FED. AID PROJECT				

IL 148 (FAP 726) MAINLINE RESURFACING SCHEDULE

LOCATION STATION TO STATION	LENGTH	ROADWAY WIDTH	HMA SURFACE REMOVAL (1")	HMA SURFACE REMOVAL (3")	HOT-MIX ASPHALT BINDER COURSE, IL-9.5 FG, N70 (1 1/2")	HOT-MIX ASPHALT SURFACE COURSE, IL-9.5FG, MIX D, N70 (1 1/2")	MATERIAL TRANSFER DEVICE	BIT. MATERIALS (TACK COAT)	LONG JOINT SEALANT	TEMP. RAMP	COMMENTS	
			SQ YD	SQ YD	TON	TON	TON	POUND	FOOT	SQ YD		
		FOR INFO. ONLY										
		(FT)	(FT)									
IL 148 (FAP 726)												
936+87	TO	978+77	4190	24	11173.0		938.6	938.6	1877.2	7542	4190	9
978+77	TO	1005+52	2675	24		7133.3	599.2	599.2	1198.4	4815	2675	40
1005+52	TO	1005+81	OMIT									
1005+81	TO	1032+50	2669	24		7117.3	597.9	597.9	1195.8	4804	2669	80
TOTALS			9534		11173	14251	2136	2136	4272	17161	9534	129

IL 148 (FAP 726) SHOULDER SCHEDULE

STATION TO STATION	LENGTH	HMA SHOULDER WIDTH		AGG SHOULDER WIDTH		HMA SURFACE REMOVAL (1")	HMA SHOULDERS	AGG WEDGE SHOULDER TYPE-B	BIT. MATERIALS (TACK COAT)	REMARKS	
		LEFT	RIGHT	LEFT	RIGHT	(SQ YD)	(TON)	(TON)	(POUND)		
		(FEET)	(FEET)	(FEET)	(FEET)	(SQ YD)	(TON)	(TON)	(POUND)		
IL 148 (FAP 726)											
936+87	TO	940+50	363	4	4	3	3	322.7	54.2	20.7	145.2
940+50	TO	978+77	3,827			3	3			217.9	
TOTAL			4190					323	55	239	146

SIDEWALK & GUTTER SCHEDULE

LOCATION	SIDEWALK REMOVAL	PORTLAND CEMENT CONCRETE SIDEWALK 5 INCH	DETECTABLE WARNINGS	COMBINATION CURB AND GUTTER REMOVAL	COMBINATION CURB AND GUTTER B6-12	PROTECTIVE COAT	COMMENTS
	(SQ FT)	(SQ FT)	(SQ FT)	(FOOT)	(FOOT)	(SQ YD)	
11th STREET							
SW CORNER	63.8	70.6	20.7	30.8	30.9	7.2	
SE CORNER	58.7	59.0	26.3	27.9	28.0	6.5	
MARKET STREET							
NE CORNER	62.7	62.7	25.4	35.2	36.2	8.4	
SE CORNER	64.8	65.0	22.0	27.2	27.9	6.4	
SW CORNER	55.5	55.5	22.0	26.4	26.8	6.2	
NW CORNER	81.9	82.0	22.2	31.4	32.0	7.4	
TOTAL	388	395	139	179	182	43	

MODEL: RESURFACING SCHEDULE (Sheet)
FILE NAME: c:\p\work\148245\Resurfacing and Pavement marking schedule.dgn

USER NAME = elise.knop	DESIGNED -	REVISED -
	DRAWN -	REVISED -
	CHECKED -	REVISED -
PLOT DATE = 3/19/2026	DATE -	REVISED -

**STATE OF ILLINOIS
DEPARTMENT OF TRANSPORTATION**

**MAINLINE RESURFACING, SHOULDER SCHEDULE
SIDE WALK & GUTTER**

SCALE: SHEET 11 OF 20 SHEETS STA. TO STA.

F.A.P. RTE.	SECTION	COUNTY	TOTAL SHEETS	SHEET NO.
726	127RS-6	Franklin	20	11
CONTRACT NO. 78B59				
ILLINOIS FED. AID PROJECT				

IL 148 (FAP 726) PAVEMENT MARKING SCHEDULE

LOCATION	STATION TO STATION		LENGTH (FEET)	PAINT PAVEMENT MARKING				THERMOPLASTIC PAVEMENT MARKING			THERMOPLASTIC LETTERS AND SYMBOLS (SQ FT)	SHORT TERM PAVEMENT MARKING (FEET)	SHORT TERM PAVEMENT MARKING REMOVAL (SQ FT)	RAISED REFLECTIVE PAVEMENT MARKER REMOVAL (EACH)	RAISED REFLECTIVE PAVEMENT MARKER PROPOSED (EACH)	PAVEMENT MARKING REMOVAL-GRINDING (SQ FT)	COMMENTS
				LINE 4"				LINE 6"	LINE 12"	LINE 24"							
				WHITE	YELLOW (NB)	YELLOW (SB)	YELLOW	WHITE	WHITE	WHITE							
				SOLID	SOLID	SOLID	SKIP-DASH	SOLID	SOLID	SOLID							
IL 1 (FAP 782)			(FEET)	(FEET)	(FEET)	(FEET)	(FEET)	(FEET)	(FEET)	(SQ FT)	(FEET)	(SQ FT)	(EACH)	(EACH)	(SQ FT)		
936+87	TO	956+38.00	1951	3902			488				588	196	24	24	1463.3		
956+38.00	TO	961+51	513	1026	513		129				156	52	6	6	556.0		
961+51	TO	966+67	516	1032			129				156	52	6	6	387.0		
966+67	TO	972+81	614	1228		614	154				186	62	8	8	665.3		
972+81	TO	978+77	596	1192			149				180	60	7	7	447.0		
978+77	TO	1001+91	2314				579				696	232	29	29	193.0		
1001+91	TO	1005+48	357		357		90				108	36	4	4	149.0		
1004+03									12						24.0	RR STOP BAR	
1004+28										54					54.0	RR CROSSING "X"	
1004+28										7.2					7.2	RR CROSSING "R" x2	
1004+55									12						24.0	RR STOP BAR	
1005+50									12						24.0	RR STOP BAR	
1005+52	TO	1005+97	45	RAIL ROAD CROSSING							15	5	1	1			
1005+98									12						24.0	RR STOP BAR	
1006+52									12						24.0	RR STOP BAR	
1006+77										54					54.0	RR CROSSING "X"	
1006+77										7.2					7.2	RR CROSSING "R" x2	
1007+04									12						24.0	RR STOP BAR	
1005+48	TO	1006+27.00	79				20				24	8	1	1	6.7		
1006+27		1008+46.00	219			219	55				66	22	3	3	91.3		
1008+47									12						24.0	STOP BAR	
1008+78								302	282						432.8	CROSS WALK	
1008+72										13					26.0	STOP BAR	
1008+84										12					24.0	STOP BAR	
1009+14									12						24.0	STOP BAR	
1008+46.00	TO	1032+50	2404				601				723	241	30	30	200.3		
SUB-TOTALS			9608	8380	870	833	2394	302	282	121	123	2898	966	121	121	4956.1	
TOTALS			9608	12477				705			123	2898	966	121	121	4957	

MODEL: SHOULDER SCHEDULE (Sheet)
FILE NAME: c:\p\work\wtk\knop\148245Resurfacing and Pavement marking schedule.dgn

USER NAME = elise.knop	DESIGNED -	REVISED -
	DRAWN -	REVISED -
	CHECKED -	REVISED -
PLOT DATE = 3/19/2026	DATE -	REVISED -

**STATE OF ILLINOIS
DEPARTMENT OF TRANSPORTATION**

PAVEMENT MARKING

SCALE: SHEET 12 OF 20 SHEETS STA. TO STA.

F.A.P. RTE.	SECTION	COUNTY	TOTAL SHEETS	SHEET NO.
726	127RS-6	Franklin	20	12
CONTRACT NO. 78B59				
		ILLINOIS FED. AID PROJECT		

PATCHING SCHEDULE

LOCATION	LENGTH	WIDTH	AREA	CLASS C PATCHES, TYPE I, 16 INCH	CLASS C PATCHES, TYPE II, 16 INCH	CLASS C PATCHES, TYPE III, 16 INCH	CLASS C PATCHES, TYPE IV, 16 INCH	COMMENTS
				SQ YD	SQ YD	SQ YD	SQ YD	
MP	FEET	FEET	SQ FT	SQ YD	SQ YD	SQ YD	SQ YD	
0.00	5	12	60		6.7			
0.05	5	12	60		6.7			
0.10	25	12	300				33.3	
0.11	10	12	120		13.3			
0.15	5	3	15	1.7				Edge - SH Unraveled
0.18	5	12	60		6.7			
0.20	5	3	15	1.7				
0.22	5	12	60		6.7			
0.28	5	12	60		6.7			
0.40	5	3	15	1.7				CL
0.54	10	12	120		13.3			
0.55	5	12	60		6.7			
0.56	10	12	120		13.3			
0.57	5	12	60		6.7			
0.59	5	12	60		6.7			
0.60	5	12	60		6.7			
0.61	5	12	60		6.7			
0.66	5	12	60		6.7			
0.69	10	12	120		13.3			Lines up with 18th Street
0.70	5	12	60		6.7			
0.78	100	8	800				88.9	
0.80	15	12	180			20.0		
0.81	10	12	120		13.3			Lines up with 15th Street
0.85	80	4	320				35.6	
0.90	50	8	400				44.4	
1.02	60	12	720				80.0	Over a box culvert?
1.08	10	12	120		13.3			
1.10	50	8	400				44.4	
1.15	30	12	360				40.0	
1.21	20	3	60		6.7			Edge
1.25	25	8	200			22.2		
1.29	60	12	720				80.0	
1.31	100	12	1200				133.3	
1.35	100	3	300				33.3	CL
1.37	50	12	600				66.7	
1.39	100	12	1200				133.3	
1.42	6	6	36	4.0				
1.70	25	12	300				33.3	
1.70	10	6	60		6.7			
1.80	10	6	60		6.7			CL
			SUB TOTAL	9	180	43	847	

MODEL: Patching Schedule (Sheet)
FILE NAME: c:\p\work\kropen\148245Resurfacing and Pavement marking schedule.dgn

USER NAME = elise.knop	DESIGNED -	REVISED -
	DRAWN -	REVISED -
	CHECKED -	REVISED -
PLOT DATE = 3/19/2026	DATE -	REVISED -

STATE OF ILLINOIS DEPARTMENT OF TRANSPORTATION

PATCHING SCHEDULE

SCALE:	SHEET 13 OF 20 SHEETS	STA.	TO STA.
--------	-----------------------	------	---------

F.A.P. RTE. 726	SECTION 127RS-6	COUNTY FRANKLIN	TOTAL SHEETS 20	SHEET NO. 13
CONTRACT NO. 78B59				
ILLINOIS FED. AID PROJECT				

PATCHING SCHEDULE

LOCATION	LENGTH	WIDTH	AREA	CLASS C PATCHES, TYPE I, 16 INCH	CLASS C PATCHES, TYPE II, 16 INCH	CLASS C PATCHES, TYPE III, 16 INCH	CLASS C PATCHES, TYPE IV, 16 INCH	COMMENTS
SB IL 148 MP				SQ FT	SQ YD	SQ YD	SQ YD	
FEET	FEET	SQ FT	SQ YD	SQ YD	SQ YD	SQ YD	SQ YD	
0.00	200	12	2400				266.7	
0.10	5	12	60		6.7			
0.20	10	12	120		13.3			
0.25	100	4	400				44.4	Entrance
0.30	5	12	60		6.7			
0.40	5	12	60		6.7			
0.45	5	12	60		6.7			
0.45	100	3	300				33.3	CL
0.46	5	12	60		6.7			
0.50	100	8	800				88.9	
0.55	10	12	120		13.3			
0.56	10	4	40	4.4				
0.57	10	12	120		13.3			Close to tracks
0.59	40	12	480				53.3	
0.60	8	12	96		10.7			
0.61	5	12	60		6.7			
0.63	10	12	120		13.3			
0.64	50	2	100		11.1			
0.66	100	12	1200				133.3	At 4th St
0.67	100	2	200			22.2		
0.68	10	12	120		13.3			
0.69	6	2	12	1.3				Edge by inlet
0.70	70	8	560				62.2	
0.90	10	3	30	3.3				CI
0.95	5	12	60		6.7			
0.97	20	6	120		13.3			
1.00	30	12	360				40.0	In front of DG
1.00	100	3	300				33.3	In front of DG
1.10	5	12	60		6.7			At 16th Street
1.15	20	3	60		6.7			
1.18	5	12	60		6.7			
1.20	5	12	60		6.7			
1.21	5	12	60		6.7			
1.22	30	8	240				26.7	
1.23	20	12	240				26.7	
1.24	60	8	480				53.3	
1.26	100	12	1200				133.3	
1.27	5	12	60		6.7			
1.28	5	12	60		6.7			
1.30	5	12	60		6.7			
1.35	5	12	60		6.7			
1.37	10	12	120		13.3			
1.38	10	12	120		13.3			
1.55	8	12	96		10.7			
1.58	5	12	60		6.7			
1.60	5	12	60		6.7			
1.62	5	12	60		6.7			
1.71	5	12	60		6.7			
1.78	100	3	300				33.3	
			SUB TOTAL	10	273	23	1029	
			TOTAL	19	453	66	1876	

MODEL: Patching Schedule-1 (Sheet)
FILE NAME: c:\p\work\wv\kropen\1148245Resurfacing and Pavement marking schedule.dgn

USER NAME = elise.knop	DESIGNED -	REVISED -
	DRAWN -	REVISED -
	CHECKED -	REVISED -
PLOT DATE = 3/19/2026	DATE -	REVISED -

**STATE OF ILLINOIS
DEPARTMENT OF TRANSPORTATION**

PATCHING SCHEDULE

SCALE: SHEET 14 OF 20 SHEETS STA. TO STA.

F.A.P. RTE.	SECTION	COUNTY	TOTAL SHEETS	SHEET NO.
726	127RS-6	Franklin	20	14
CONTRACT NO. 78B59				
ILLINOIS FED. AID PROJECT				

IL 148 (FAP 726) ENTRANCE SCHEDULE

LOCATION			EXISTING SURFACE MATERIAL	WIDTH AT EOP	O/S	ROADWAY AREA	HMA SURFACE REMOVAL BUTT JOINT	INCIDENTAL HMA SURFACING	BITUMINOUS MATERIALS (TACK COAT)	COMMENTS
APPROX. STATION	SIDE	ENTRANCE TYPE			FOOT	SQ YD	SQ YD	TON	POUND	
939+82	RT	PE	HMA	42	4	9.3	9.3	0.8	4.2	
940+77	LT	PE	AGG	50	4	11.1	0.0	0.0	0.0	
942+18	LT	FE	EARTH	45	4	10.0	0.0	0.0	0.0	
943+30	LT	PE	HMA	60	4	13.3	13.3	1.1	6.0	
944+40	RT	PE	AGG	47	4	10.4	0.0	0.0	0.0	
945+58	RT	PE	AGG	40	4	8.9	0.0	0.0	0.0	
946+10	LT	FE	AGG	43	4	9.6	0.0	0.0	0.0	
947+05	RT	FE	EARTH	50	4	11.1	0.0	0.0	0.0	
948+38	LT	PE	PCC	55	4	12.2	12.2	1.0	5.5	
949+62	RT	PE	HMA	47	4	10.4	10.4	0.9	4.7	
950+99	RT	PE	HMA	38	4	8.4	8.4	0.7	3.8	
951+54	LT	CE	AGG	40	4	8.9	0.0	0.0	0.0	
952+29	LT	PE	AGG	45	4	10.0	0.0	0.0	0.0	
952+80	RT	PE	AGG	50	4	11.1	0.0	0.0	0.0	
953+50	RT	PE	AGG	40	4	8.9	0.0	0.0	0.0	
953+54	LT	PE	PCC	40	4	8.9	8.9	0.7	4.0	
956+20	LT	PE	AGG	55	4	12.2	0.0	0.0	0.0	
958+06	LT	CE	PCC	65	4	14.4	14.4	1.2	6.5	
958+18	RT	PE	PCC	55	4	12.2	12.2	1.0	5.5	
958+94	LT	FE	AGG	40	4	8.9	0.0	0.0	0.0	
960+22	RT	PE	AGG	40	4	8.9	0.0	0.0	0.0	
962+35	LT	PE	AGG	60	4	13.3	0.0	0.0	0.0	
962+40	RT	PE	HMA	50	4	11.1	11.1	0.9	5.0	
963+92	LT	PE	AGG	45	4	10.0	0.0	0.0	0.0	
966+42	LT	PE	AGG	35	4	7.8	0.0	0.0	0.0	
966+59	RT	PE	AGG	35	4	7.8	0.0	0.0	0.0	
967+30	LT	PE	PCC	35	4	7.8	7.8	0.7	3.5	
968+25	LT	FE	EARTH	25	4	5.6	5.6	0.5	2.5	
968+82	RT	PE	O&C	35	4	7.8	7.8	0.7	3.5	
969+61	RT	PE	AGG	40	4	8.9	0.0	0.0	0.0	
970+45	RT	PE	AGG	50	4	11.1	0.0	0.0	0.0	
972+16	RT	PE	AGG	40	4	8.9	0.0	0.0	0.0	
973+15	LT	SR	O&C	45	15	37.5	37.5	3.2	16.9	18th street
973+92	RT	PE	O&C	50	4	11.1	11.1	0.9	5.0	
974+58	LT	SR	O&C	35	15	29.2	29.2	2.5	13.1	17th street
975+79	LT	CE	AGG	40	4	8.9	0.0	0.0	0.0	
977+15	LT	SR	O&C	55	15	45.8	45.8	3.9	20.6	16th street
						TOTAL	245	21	111	

*NOTE - FOR AGG SHOULDER TYPE B REFER TO SHEET NO 11

MODEL: PAVEMENT MARKING SCHEDULE (Sheet)
FILE NAME: c:\p\work\pav\il148\entrance schedule 1.dgn

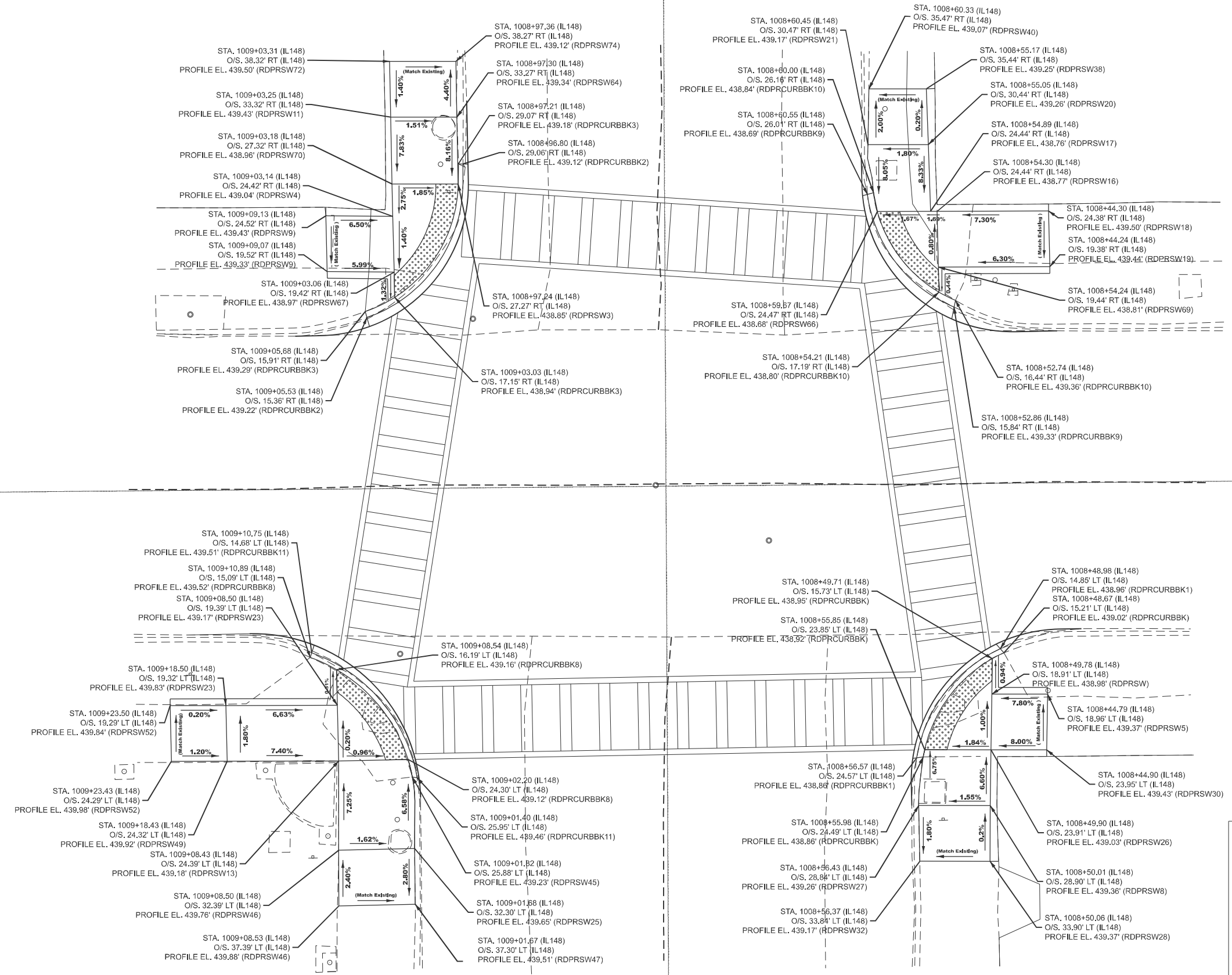
USER NAME = elise.knop	DESIGNED -	REVISED -
	DRAWN -	REVISED -
	CHECKED -	REVISED -
PLOT DATE = 3/19/2026	DATE -	REVISED -

**STATE OF ILLINOIS
DEPARTMENT OF TRANSPORTATION**

ENTRANCE SCHEDULE

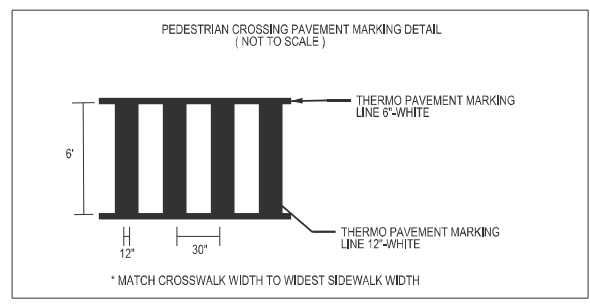
SCALE: SHEET 15 OF 20 SHEETS STA. TO STA.

F.A.P. RTE.	SECTION	COUNTY	TOTAL SHEETS	SHEET NO.
726	127RS-6	Franklin	20	15
CONTRACT NO. 78B59				
ILLINOIS FED. AID PROJECT				



8001

4



MODEL: ADA MARKET STREET-1 (Sheet)
FILE NAME: c:\p\work\ada\open\1482477859_Market St-ada\wk.dgn

USER NAME = madhukar.janga	DESIGNED -	REVISED -
	DRAWN -	REVISED -
	CHECKED -	REVISED -
PLOT DATE = 3/4/2026	DATE -	REVISED -

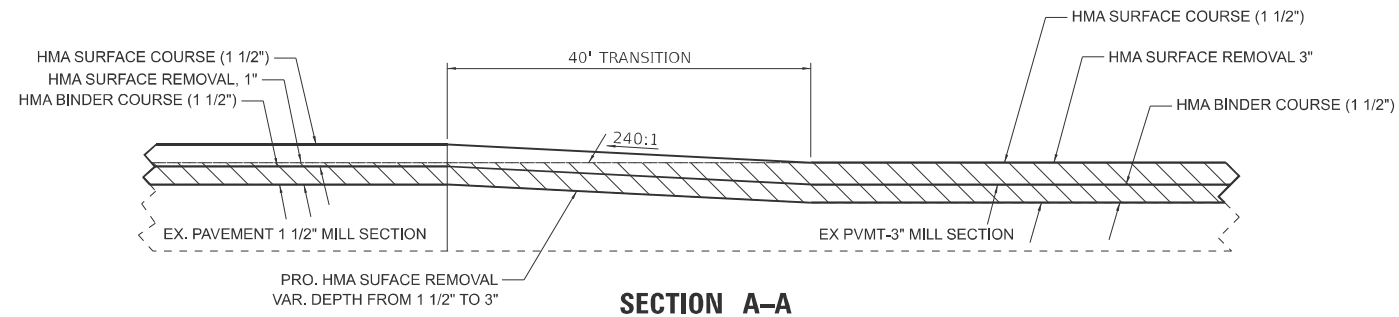
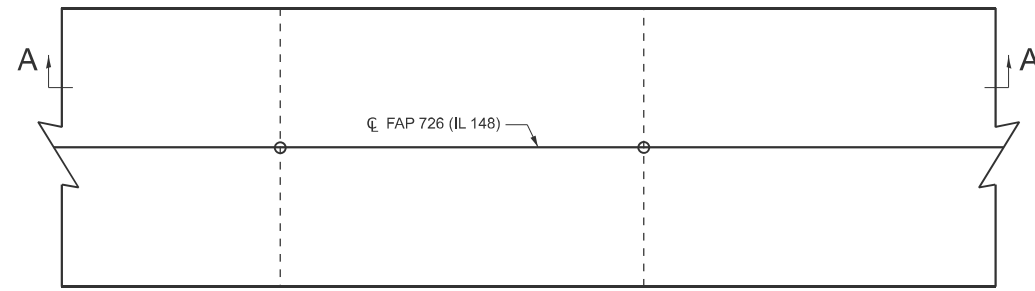
**STATE OF ILLINOIS
DEPARTMENT OF TRANSPORTATION**

MARKET STREET ADA

SCALE: SHEET 17 OF 20 SHEETS STA. TO STA.

F.A.P. RTE.	SECTION	COUNTY	TOTAL SHEETS	SHEET NO.
726	127RS-6	Franklin	20	17
CONTRACT NO. 78B59				
ILLINOIS		FED. AID PROJECT		

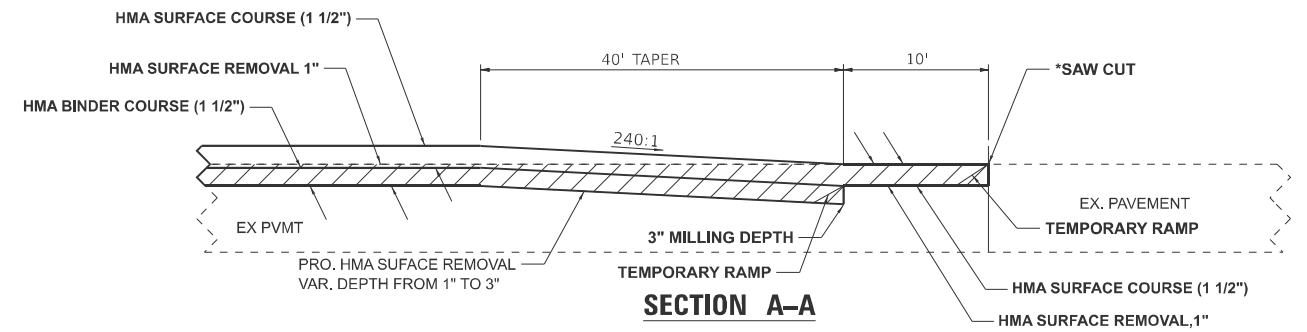
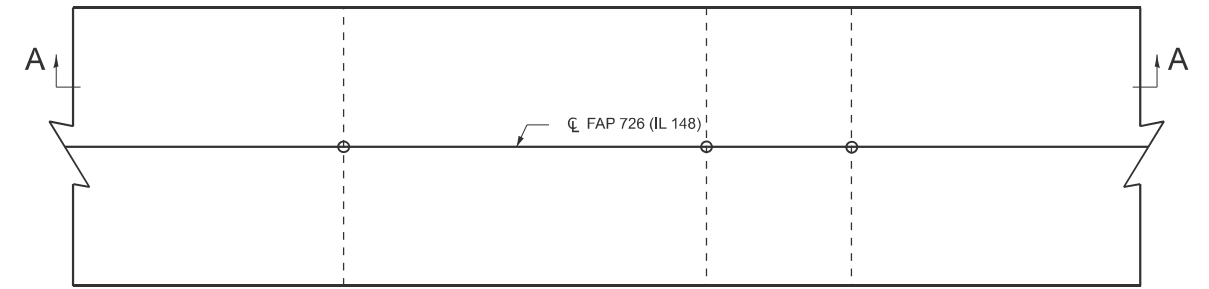
MILLING TRANSITION



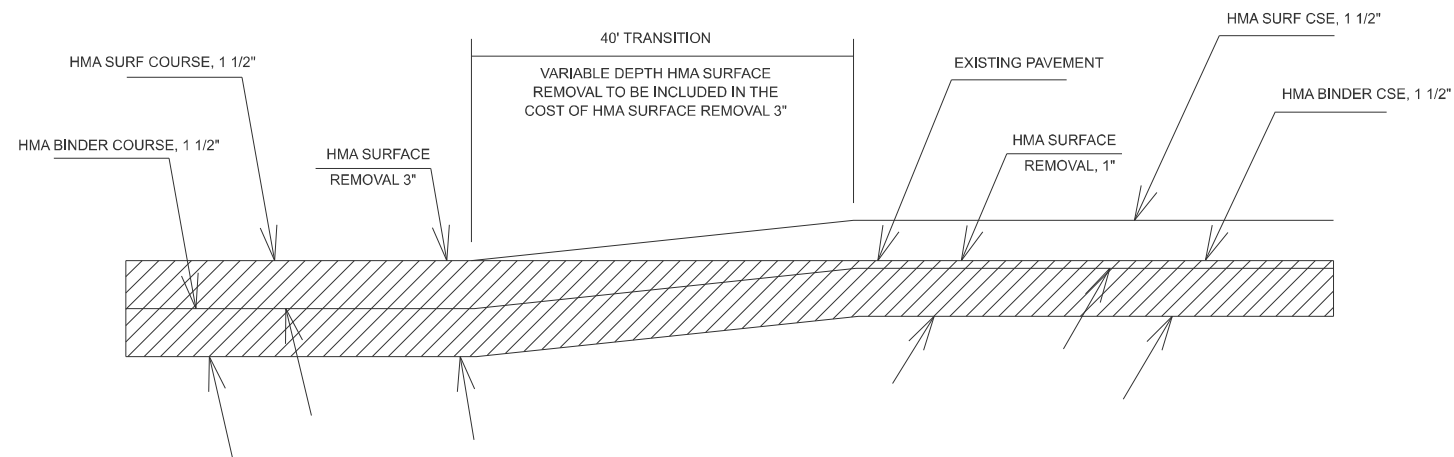
STA 939+82 TO STA 980+00

RESURFACING TRANSITION

SOUTH END

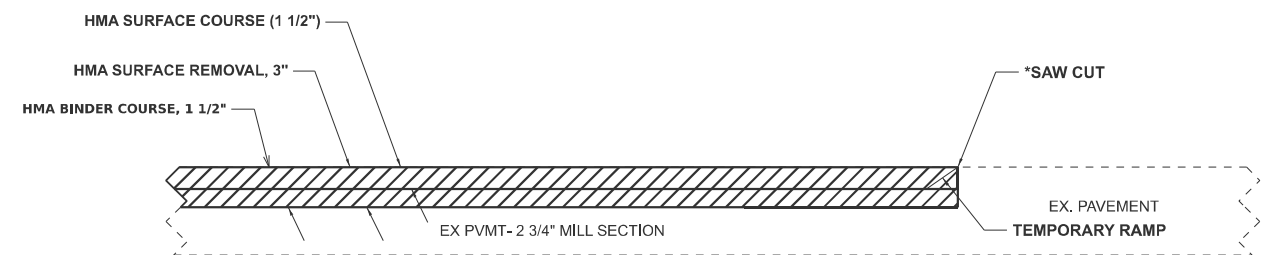
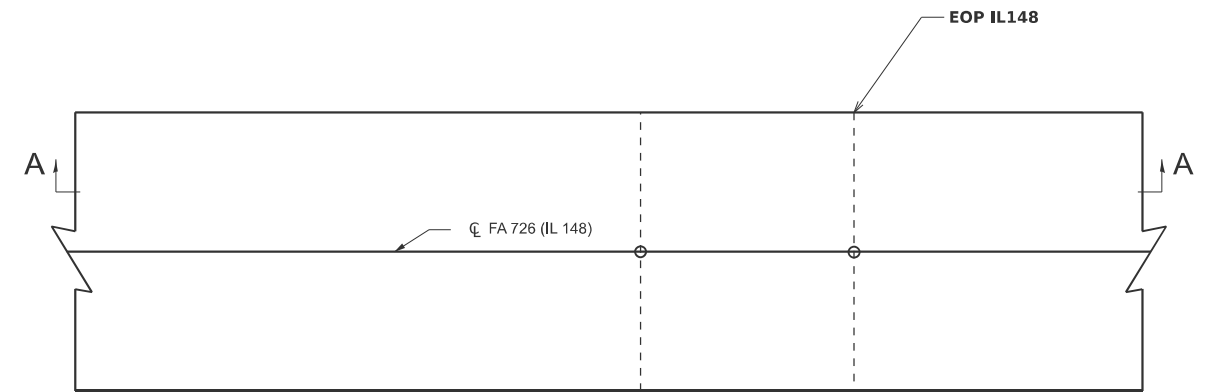


MILLING TRANSITION DETAIL



RESURFACING TRANSITION

NORTH END



MODEL: BEGINNING AND ENDING (Sheet)
FILE NAME: c:\p\work\pav\trns\beginning and ending detail.dgn

USER NAME = elise.knop	DESIGNED -	REVISED -
	DRAWN -	REVISED -
	CHECKED -	REVISED -
PLOT DATE = 3/19/2026	DATE -	REVISED -

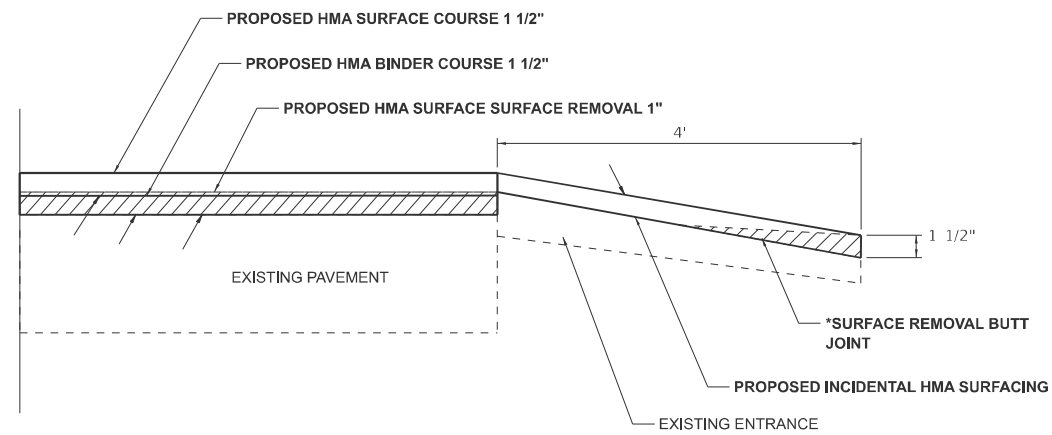
STATE OF ILLINOIS
DEPARTMENT OF TRANSPORTATION

TRANSITION DETAILS

SCALE: SHEET 18 OF 20 SHEETS STA. TO STA.

F.A.P. RTE.	SECTION	COUNTY	TOTAL SHEETS	SHEET NO.
726	127RS-6	Franklin	20	18
CONTRACT NO. 78B59				
ILLINOIS FED. AID PROJECT				

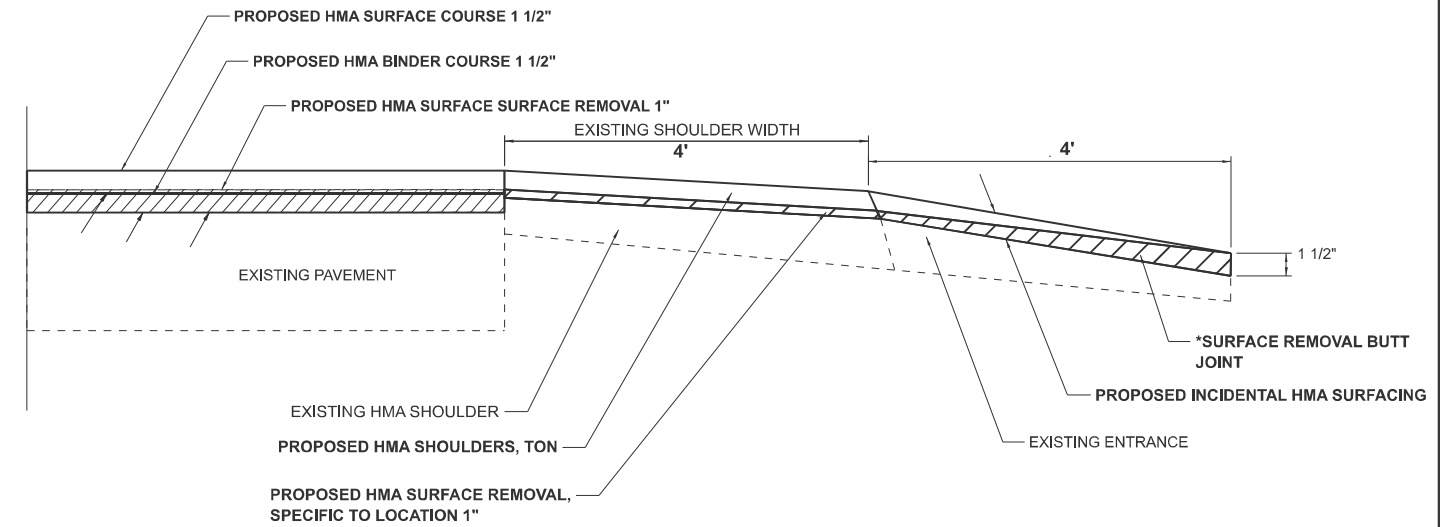
HMA OR O&C OR PCC ENTRANCE



STD. 9-

DRAWN	
REVISED	
REVISED	
REVISED	

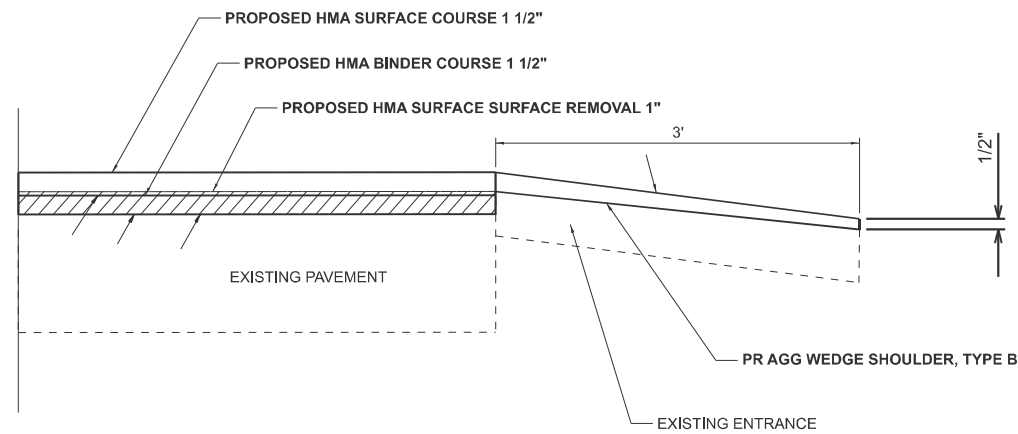
HMA OR PCC ENTRANCE WITH PAVED SHOULDER



STD. 9-

DRAWN	
REVISED	
REVISED	
REVISED	

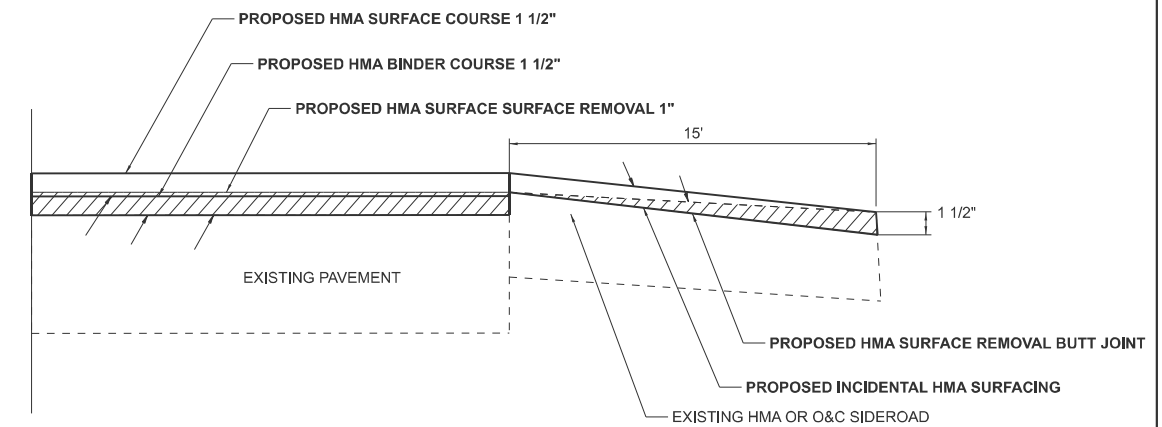
AGGREGATE ENTRANCE



STD. 9-

DRAWN	
REVISED	
REVISED	
REVISED	

HMA, PCC OR OIL & CHIP SIDEROADS WITH BUTT JOINT



STD. 9-

DRAWN	
REVISED	
REVISED	
REVISED	

MODEL: DETAIL (Sheet)
FILE NAME: c:\p\work\dwg\itropen\1148245\BEGINNING AND ENDING DETAIL.dgn

USER NAME = madhukar.janga	DESIGNED -	REVISED -
	DRAWN -	REVISED -
	CHECKED -	REVISED -
PLOT DATE = 3/4/2026	DATE -	REVISED -

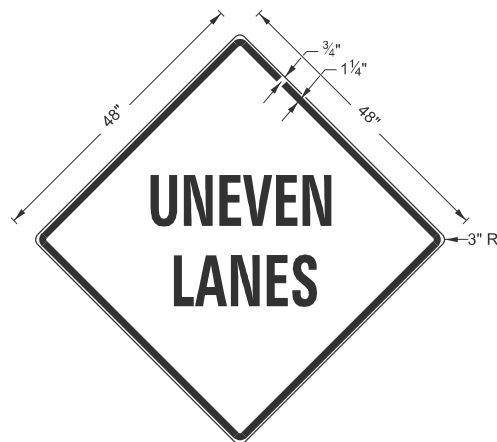
STATE OF ILLINOIS
DEPARTMENT OF TRANSPORTATION

SIDE ROAD AND ENTRANCE DETAILS

SCALE: SHEET 19 OF 20 SHEETS STA. TO STA.

F.A.P. RTE.	SECTION	COUNTY	TOTAL SHEETS	SHEET NO.
726	127RS-6	Franklin	20	19
CONTRACT NO. 78B59				
ILLINOIS FED. AID PROJECT				

UNEVEN LANES SIGN
W8-11 (48" X 48")



COLORS:

LEGEND AND BORDER - BLACK NON-REFLECTORIZED
BACKGROUND - ORANGE REFLECTORIZED

NOTE: PRIOR TO ALLOWING TRAFFIC ON ANY PORTION OF THE ROADWAY THAT HAS BEEN COLDMILLED OR BEFORE RESURFACING OPERATIONS BEGIN, THE CONTRACTOR SHALL HAVE ERECTED "UNEVEN PAVEMENT" SIGNS THAT CONFORM TO THE ABOVE DETAILS. A MINIMUM OF ONE SIGN AT EACH END OF THE IMPROVEMENT WILL BE REQUIRED. THE CONTRACTOR SHALL MAINTAIN THE "UNEVEN PAVEMENT" SIGNS UNTIL THE RESURFACING OPERATIONS ARE COMPLETED.

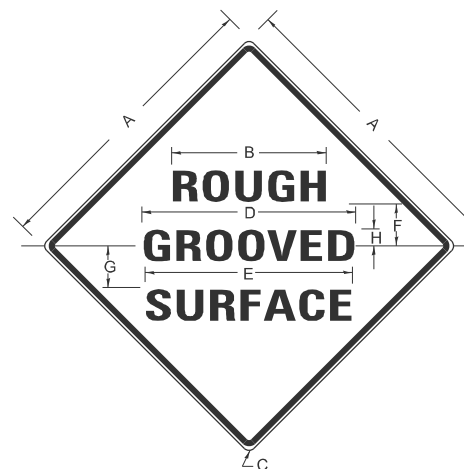
IF AT ANY TIME THE SIGNS ARE IN PLACE BUT NOT APPLICABLE, THEY SHALL BE TURNED FROM THE VIEW OF MOTORISTS OR COVERED AS DIRECTED BY THE ENGINEER.

THE COST OF FURNISHING, ERECTING, MAINTAINING, AND REMOVING THE REQUIRED SIGNS SHALL BE INCLUDED IN THE CONTRACT.

DRAWN	02-15-89
REVISED	05-08-08
REVISED	10-21-21
REVISED	05-27-22

STD. 9-24

ILLINOIS STANDARD
ROUGH GROOVED SURFACE SIGN



COLORS

LEGEND AND BORDER- BLACK NON-REFLECTORIZED
BACKGROUND- ORANGE REFLECTORIZED

SIGN SIZE	DIMENSIONS							
	A	B	C	D	E	F	G	H
48X48	48.0	24.1	3.0	34.0	33.0	6.0	13.0	3.5

SIGN SIZE	SERIES LINES			MAR-GIN	BOR-DER	BLANK STD.
	1	2	3			
48X48	7C	7C	7C	0.8	1.2	B4-48D

ALL DIMENSIONS IN INCHES

NOTES

PRIOR TO ALLOWING TRAFFIC ON ANY PORTION OF THE ROADWAY THAT HAS BEEN COLDMILLED, THE CONTRACTOR SHALL HAVE ERECTED "ROUGH GROOVED SURFACE" SIGNS THAT CONFORM TO THE ABOVE DETAILS. A MINIMUM OF ONE SIGN AT EACH END OF THE IMPROVEMENT WILL BE REQUIRED. THE CONTRACTOR SHALL MAINTAIN THE "ROUGH GROOVED SURFACE" SIGNS UNTIL THE COLDMILLED SURFACE IS COVERED WITH LEVELING BINDER OR SURFACE COURSE.

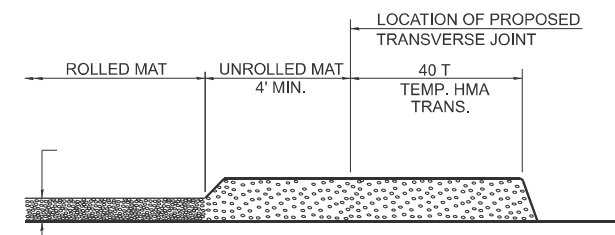
IF AT ANY TIME THE SIGNS ARE IN PLACE BUT NOT APPLICABLE, THEY SHALL BE TURNED FROM THE VIEW OF MOTORISTS OR COVERED AS DIRECTED BY THE ENGINEER.

THE COST OF FURNISHING, ERECTING, MAINTAINING, AND REMOVING THE REQUIRED SIGNS SHALL BE INCLUDED IN THE CONTRACT.

DRAWN	02-15-89
REVISED	03-27-08
REVISED	10-21-21
REVISED	05-27-22

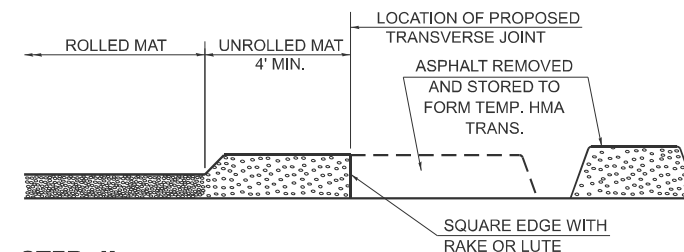
STD. 9-23

TEMPORARY HOT-MIX ASPHALT TRANSITIONS



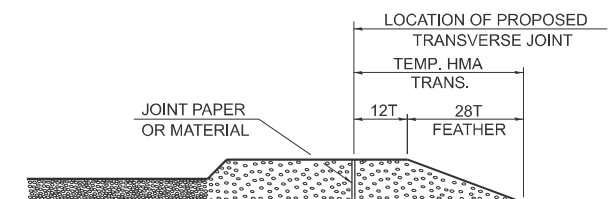
STEP I

1. PLACE HOT-MIX ASPHALT MAT, LENGTH 40 TIMES THE THICKNESS OF THE MAT BEING PLACED PAST THE PROPOSED TRANSVERSE JOINT LOCATION USING NORMAL OPERATING PROCEDURES.
2. EXTREME CARE SHOULD BE TAKEN TO MAINTAIN ENOUGH MATERIAL IN FRONT OF THE SCREED TO MAINTAIN REQUIRED PAVING DEPTH.



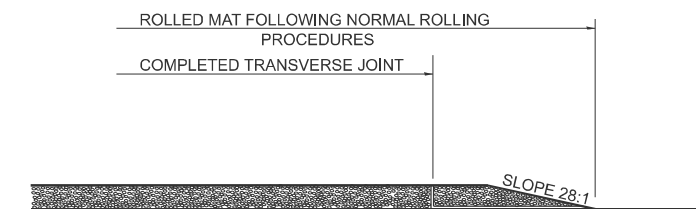
STEP II

1. MOVE THE PAVER OUT OF THE WAY AND REMOVE THE ASPHALT FROM THE AREA OF THE PROPOSED TEMPORARY HOT-MIX ASPHALT TRANSITION.
2. SQUARE UP THE END OF THE MAT WITH A RAKE OR LUTE.
3. NOTE THAT THE MAT WITHIN 4' OF THE END OF JOINT IS NOT TO BE ROLLED AT THIS TIME.



STEP III

1. JOINT PAPER OR OTHER PRESELECTED JOINT MATERIAL IS THEN PLACED IN THE CLEARED AREA AND THE EXCESS ASPHALT USED TO HAND FORM A TRANSITION TO THE DIMENSIONS SHOWN ABOVE.
2. NOTE THAT IN CONSTRUCTING THE TRANSITION, THE MAT DEPTH IS CONTINUED AS PART OF THE TRANSITION BEFORE FORMING THE FEATHER.



STEP IV

1. COMPLETE TEMPORARY TRANSITION BY ROLLING.
2. TO RESUME PAVING, AT THE JOINT, REMOVE TEMPORARY TRANSITION AND DISPOSE OF THE MATERIAL ACCORDING TO ART. 202.03 OF THE STD. SPECS. (COST INCLUDED IN THE CONTRACT).
3. CONSTRUCTING THE TEMPORARY TRANSITIONS WILL NOT BE PAID FOR SEPARATELY IN ACCORDANCE WITH ARTICLE 406.14 OF THE STANDARD SPECIFICATIONS.

DRAWN	02-15-89
REVISED	01-09-07
REVISED	10-21-21
REVISED	05-26-22

STD. 9-18

STATE OF ILLINOIS
DEPARTMENT OF TRANSPORTATION

UNEVEN LANES, ILLINOIS STANDARD,
TEMPORARY HOT-MIX ASPHALT TRANSITION DETAILS

SCALE: SHEET 20 OF 20 SHEETS STA. TO STA.

F.A.P. RTE.	SECTION	COUNTY	TOTAL SHEETS	SHEET NO.
726	127RS-6	Franklin	20	20
CONTRACT NO. 78B59				
ILLINOIS FED. AID PROJECT				

MODEL: SIDE ROAD AND ENTRANCE DETAILS (Sheet)
FILE NAME: c:\p\work\w811\open\1148245\BEGINNING AND ENDING DETAIL.dgn

USER NAME = elise.knop	DESIGNED -	REVISED -
	DRAWN -	REVISED -
	CHECKED -	REVISED -
PLOT DATE = 3/19/2026	DATE -	REVISED -