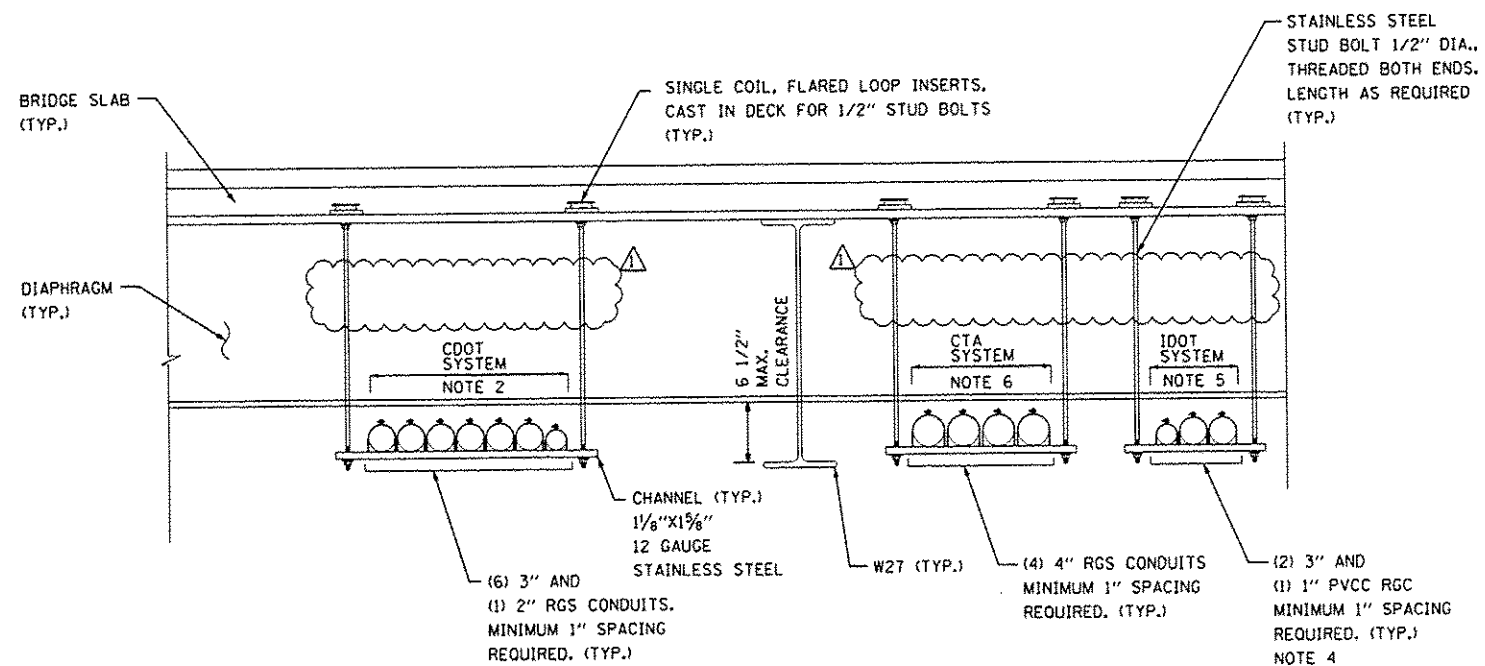


CONDUIT SUPPORT DETAIL UNDER WB 63RD ST. LANES
LOOKING EAST

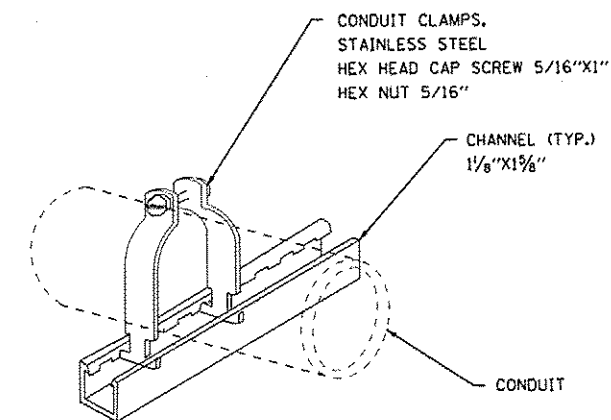


CONDUIT SUPPORT DETAIL UNDER EB 63RD ST. LANES
LOOKING EAST

CONDUIT MOUNTING DETAILS ALONG BRIDGE
N.T.S.

NOTES:

1. CONDUIT SUPPORT SHALL BE INSTALLED EVERY 10FT. COORDINATE WITH STRUCTURAL ENGINEER FOR SUPPORT INSTALLATION.
2. CONDUIT SUPPORT SYSTEM INCLUDING ALL ASSOCIATED HARDWARE SHALL BE INCLUDED IN THE COST OF 3-INCH RGS CONDUIT PAY ITEM INCLUDED IN TRAFFIC SIGNAL PLANS. SEE TRAFFIC SIGNAL PLANS FOR CONDUIT ROUTING.
3. SEE STRUCTURE PLANS FOR LOCATION OF CONDUIT MOUNTING ASSEMBLIES.
4. SEE PROPOSED UNDERPASS LIGHTING PLANS SHEET E-2 FOR CONDUIT ROUTING.
5. CONDUIT SUPPORT SYSTEM INCLUDING ALL HARDWARE SHALL BE INCLUDED IN THE COST OF 3-INCH PVCC RGC FOR HIGHMAST LIGHTING.
6. CONDUIT SUPPORT SYSTEM INCLUDING ALL HARDWARE SHALL BE INCLUDED IN THE COST OF 4-INCH RGS CONDUIT SHOWN IN THE DRAINAGE AND UTILITIES PLAN FOR THE CTA STATION.



CONDUIT CLAMP
DETAIL

J:\288\Drawn\CADD_Sheets\1001\050J15-sht-11-g05.dgn



USER NAME - mgarvida	DESIGNED - BN	REVISED - ADDENDUM 1 5/23/14
PLOT SCALE - 0.0000001, 0.00000	DRAWN - AM	REVISED -
PLOT DATE - 22-MAY-2014 13:22	CHECKED - KGP	REVISED -
	DATE - 4/25/2014	REVISED -

STATE OF ILLINOIS
DEPARTMENT OF TRANSPORTATION

63rd STREET OVER DAN RYAN EXPRESSWAY (I-90 /94)
CONDUIT MOUNTING DETAILS ALONG BRIDGE

SCALE: N.T.S. SHEET NO. 5 OF 13 SHEETS STA. TO STA.

F.A.I. RTE.	SECTION	COUNTY	TOTAL SHEETS	SHEET NO.
94	1920-B	COOK	142	96
CONTRACT NO. 60J15				
FED. ROAD DIST. NO. 1 ILLINOIS FED. AID PROJECT				