

CABLE TRENCH

CONDUIT TRENCH

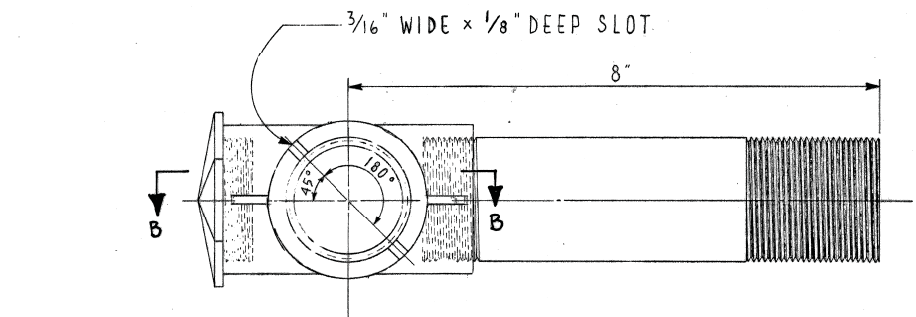
NOTE
 EXCESS SOIL FROM TRENCH TO BE COMPLETELY REMOVED FROM SITE AS SOON AS PRACTICABLE.
 BLACK DIRT TO BE TAMPED & THOROUGHLY COMPACTED AS SHOWN.

STANDARD METHOD FOR BACKFILLING CABLE & CONDUIT TRENCHES IN SODDED PARKWAY & LAWNS

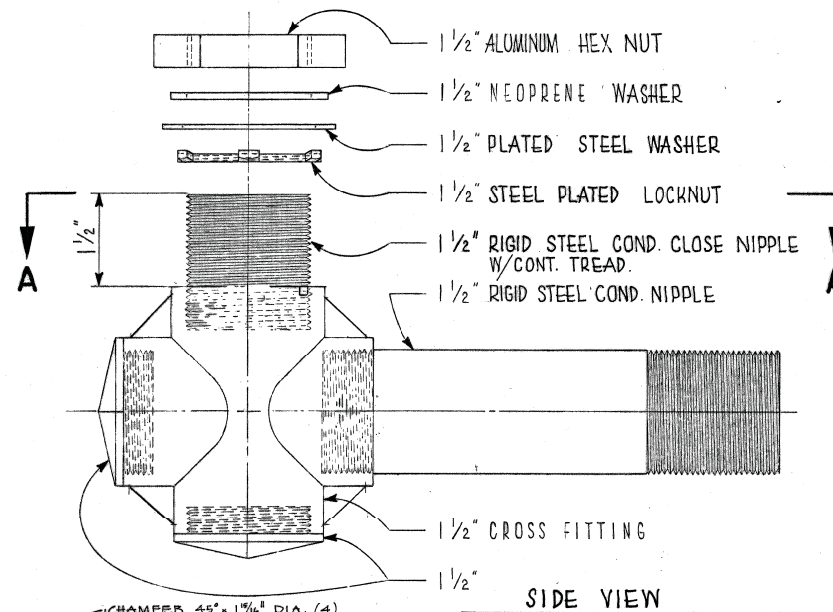
CITY OF CHICAGO DEPT. OF STREETS & SANITATION DIVISION OF ELECTRICAL ENGINEERING			
REVISION	DRAWN	CHECKED	ENGINEER
A	W. E. HARR	M. Shine	J. O'CONNOR
B			
C	ENGINEER IN CHARGE		DRG. NO.
D	Supt. of Const.		579
E	DEPUTY COMM.		
F	DATE		7-14-61
G	SIZE 8 1/2 x 14"	SCALE: N	
H			

FILE NAME =	USER NAME = *USER*	DESIGNED - KMM	REVISED -
ct:\pwwork\dlz\ccooney\dms19784\630DETAIL.dgn		DRAWN - LV	REVISED -
		CHECKED - JDH	REVISED -
		DATE - 03-31-2014	REVISED -

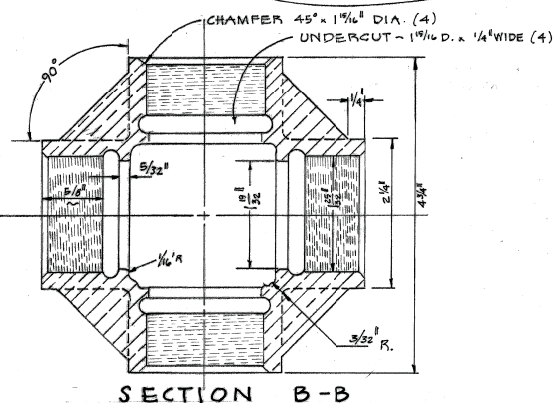
STATE OF ILLINOIS
 DEPARTMENT OF TRANSPORTATION



TOP VIEW A - A



SIDE VIEW



SECTION B-B

TRAFFIC SIGNAL BRACKET ARM ASSEMBLY			
CITY OF CHICAGO DEPT. OF STREETS & SANITATION BUREAU OF ELECTRICITY DIVISION OF ELEC. ENGINEERING			
REVISED	DRAWN	CHECKED	ENGINEER
A 1-23-81	E. GERULIS	dc. /ms.	L. CUCCI
B 12-6-88			
C	SUPT. OF CONST.		
D	DEPUTY COMM.		
E			
F	SIZE: 1/2" x 1/2"	SCALE: 1/2" = 1"	DATE: 8-21-74

DELETE SET SCREWS			
ADDED SECTION B-B			

63RD STREET OVER DAN RYAN EXPRESSWAY CDOT STANDARD DETAILS	F.A.I. RTE. 94	SECTION 1920-B	COUNTY COOK	TOTAL SHEETS 142	SHEET NO. 40
SCALE: N.T.S.	SHEET NO.	OF SHEETS	STA. TO STA.	CONTRACT NO. 60J15	
ILLINOIS FED. AID PROJECT					