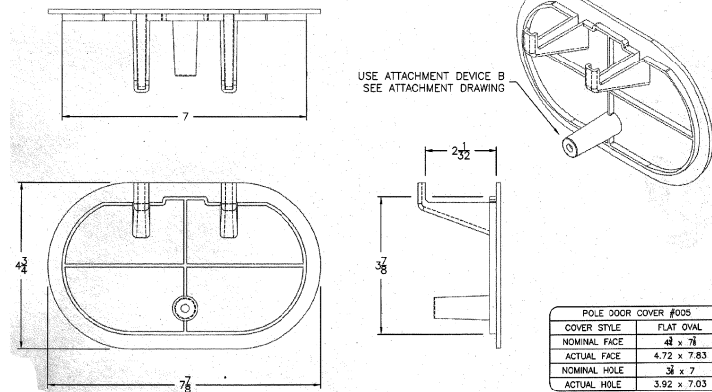
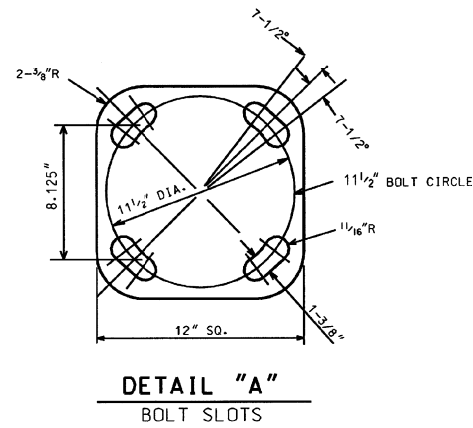
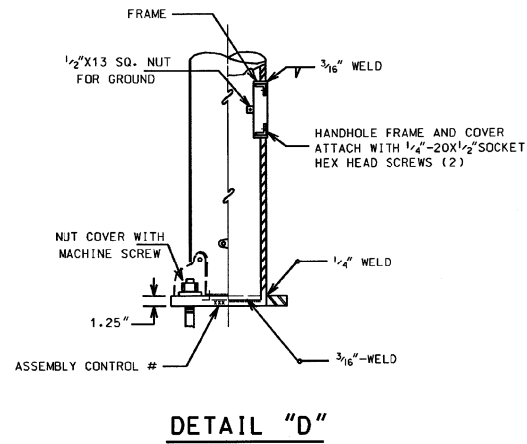
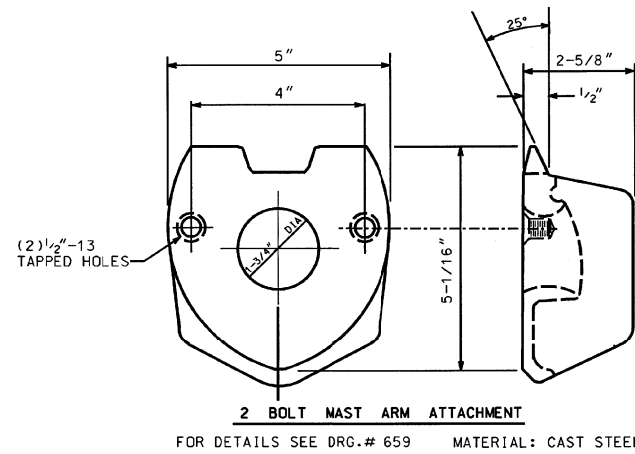
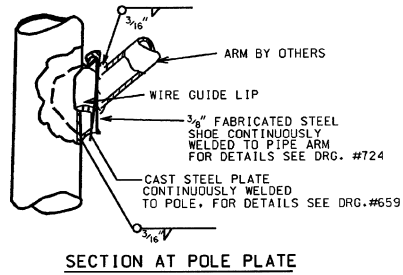
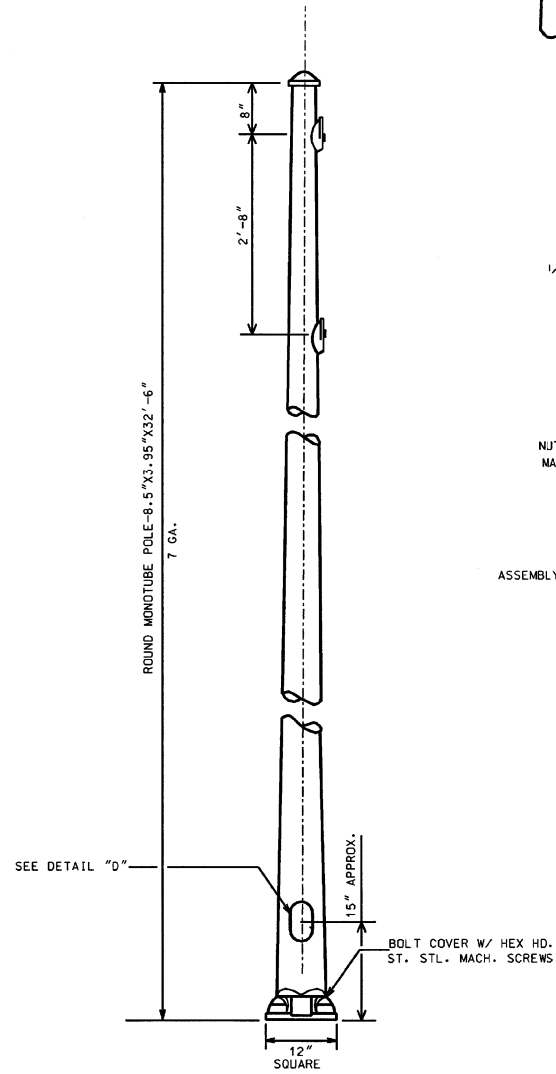


3/8"-16NCX3/4" LONG
SET SCREWS (3@120°)
POLE CAP
FOR DETAILS SEE
DRG.# 11420-4



3.95"x8.5" STEEL/32'-6" POLE 7 GAUGE		
CITY OF CHICAGO DEPT. OF STREETS AND SANITATION BUREAU OF ELECTRICITY DIVISION OF ELECTRICAL ENGINEERING		
DRAFTSMAN: ROBERT IVY	CHIEF DRAFTSMAN: ROBERT CARTER	ENGINEER: RON POOL
SUPERVISING ENGINEER:	ELEC. DESIGN ENGR.	DWG. NO.
ENGINEER OF ELECTRICITY:		762
GEN'L SMT. OF ELECTRICITY:		
DEPUTY COMMISSIONER:		10-03-01

J:\298\Drawn\ADD_Sheets\CDOT\160J15-sht-CD01gt12.dgn

SINGH
SINGH + ASSOCIATES, INC.
CONSULTING ENGINEERS

USER NAME = kprajapati
DESIGNED - BN
DRAWN - AM
PLOT SCALE = 2.000000:1.000000
CHECKED - KGP
PLOT DATE = 27-MAR-2014 15:37
DATE - 5/15/2013

REVISOR
REVISION
REVISION
REVISION
REVISION

REVISION
REVISION
REVISION
REVISION
REVISION

CITY OF CHICAGO
DEPARTMENT OF TRANSPORTATION
DIVISION OF ENGINEERING

63rd STREET OVER DAN RYAN EXPRESSWAY (I-90 /94)
CDOT STANDARD DETAILS

SCALE: N.T.S. SHEET NO. 12 OF 13 SHEETS STA. TO STA.

F.A.I. RTE.	SECTION	COUNTY	TOTAL SHEETS	SHEET NO.
94	1920-B	COOK	142	63
CONTRACT NO. 60J15				
FED. ROAD DIST. NO. 1 ILLINOIS FED. AID PROJECT				