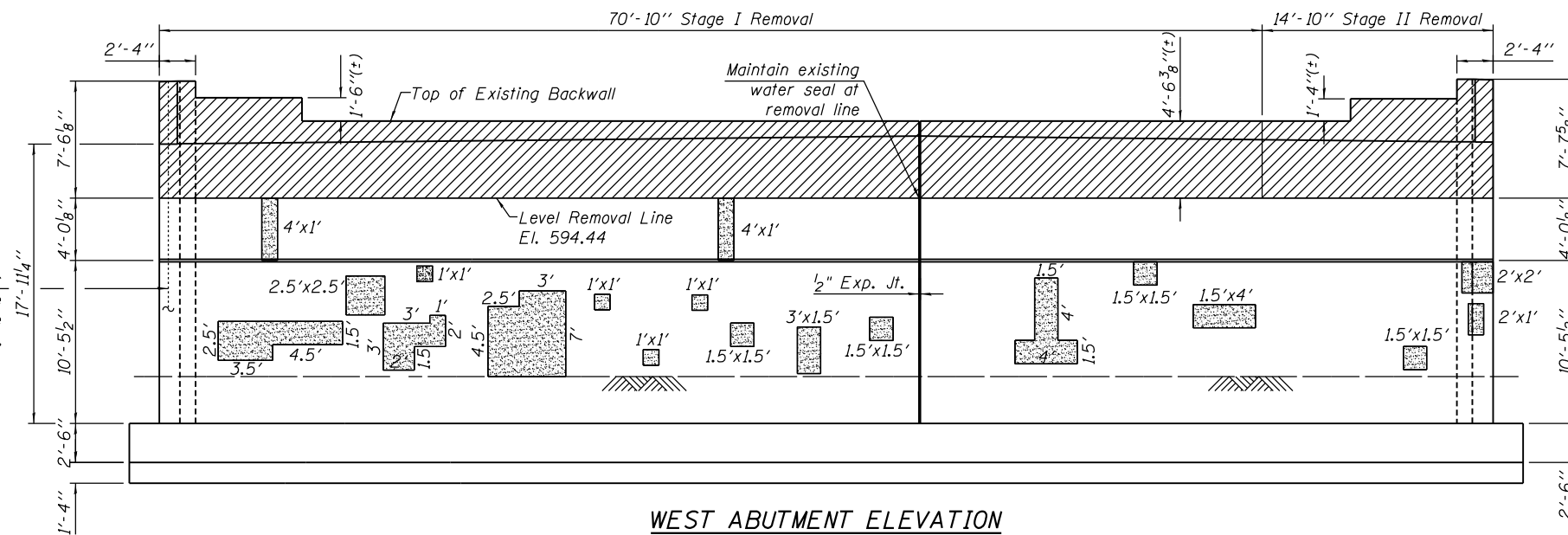


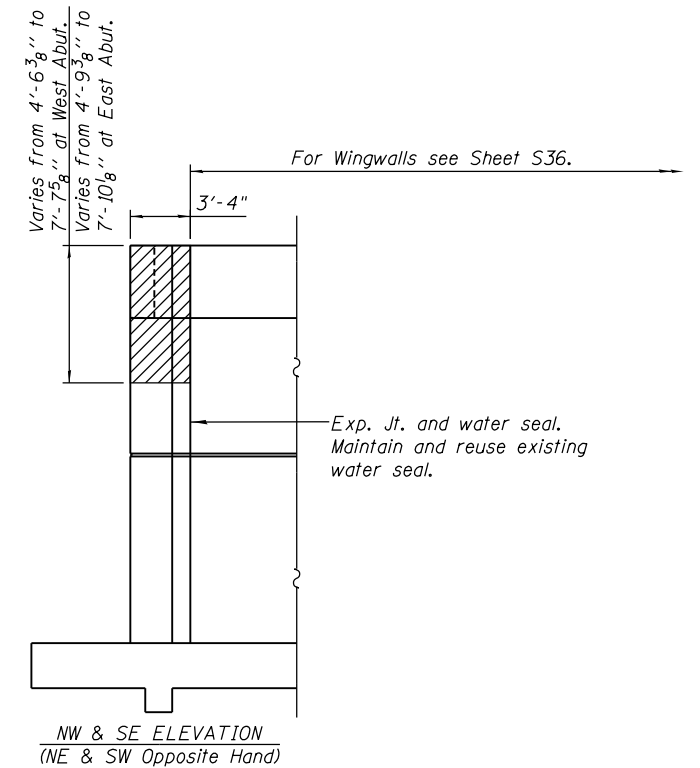
WEST ABUTMENT TOP PLAN



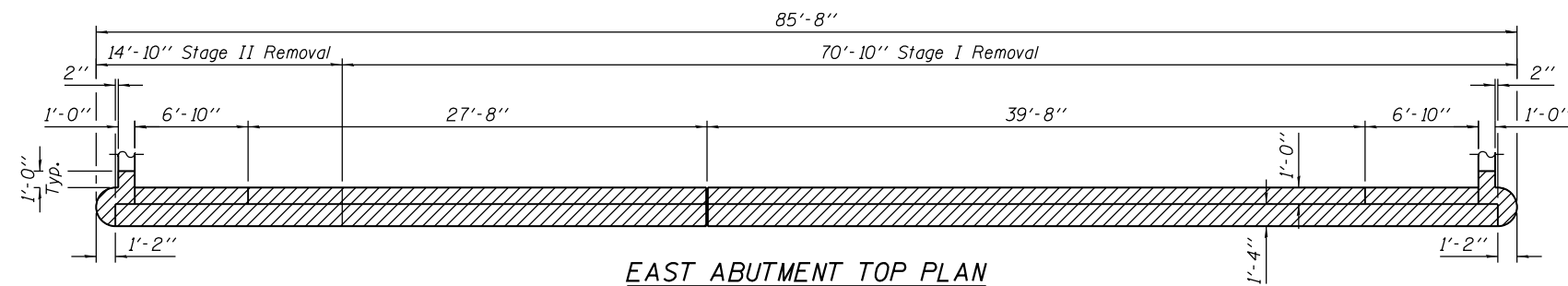
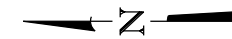
WEST ABUTMENT ELEVATION

(Looking West)

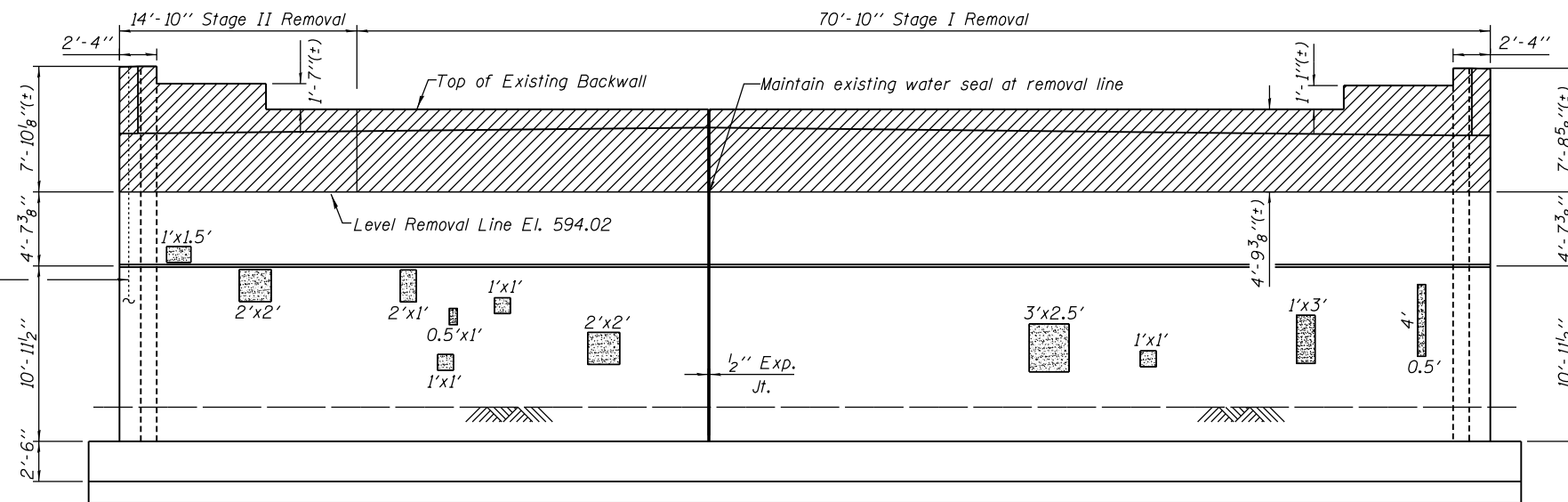
Maintain existing bars
#5 @ 12" @ Front Face
& #7 @ 12" @ Back Face
at existing Abut. Typ.



NW & SE ELEVATION
(NE & SW Opposite Hand)



EAST ABUTMENT TOP PLAN



EAST ABUTMENT ELEVATION

(Looking East)

Maintain existing bars
#5 @ 12" @ Front Face
& #7 @ 12" @ Back Face
at existing Abut. Typ.

BILL OF MATERIAL

Item	Unit	Quantity
Concrete Removal	cu. yd.	70
Structural Repair of Concrete (Depth equal to or less than 5")	sq. ft.	141

LEGEND

- Concrete Removal
- Structural Repair of Concrete
(Depth Equal to or Less than 5")

NOTES

1. Existing reinforcement shall be cleaned and incorporated into the new construction as appropriate. Cost included with Concrete Removal.

H:\projects\2015\0221\CAD\Structural\dwg\06-149_Final\00\06015-s31-abut-r-ep.dgn 4/23/2014 8:29:58 AM

USER NAME =	DESIGNED - J.Z.	REVISED -
PLOT SCALE =	CHECKED - J.A.Z.	REVISED -
PLOT DATE =	DRAWN - E.E.J.	REVISED -
	DATE - 3/31/2014	REVISED -

F.A.I. R.T.E.	SECTION	COUNTY	TOTAL SHEETS	SHEET NO.
94	1920-B	COOK	142	95
CONTRACT NO. 60J15				
ILLINOIS FED. AID PROJECT				