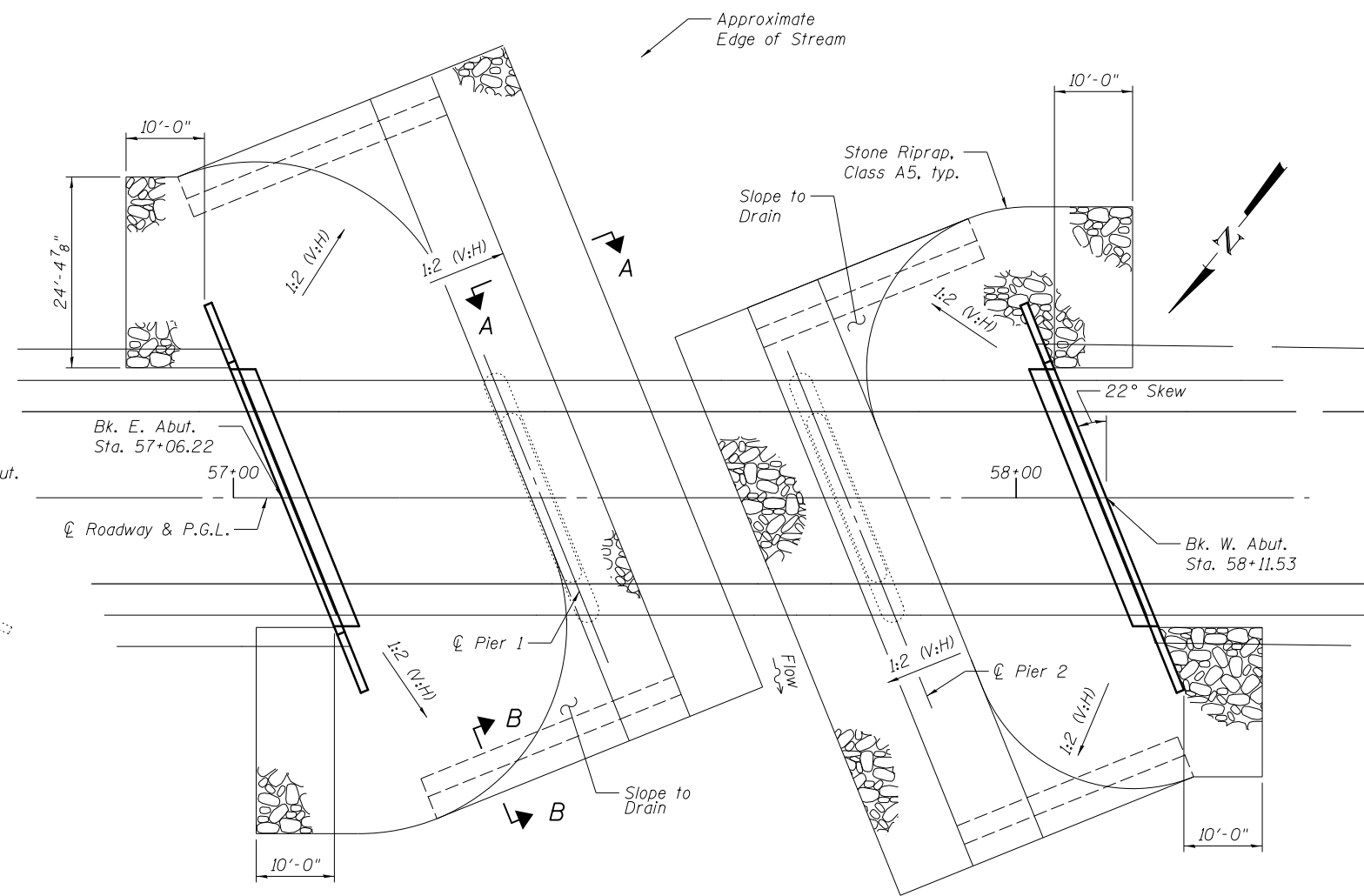
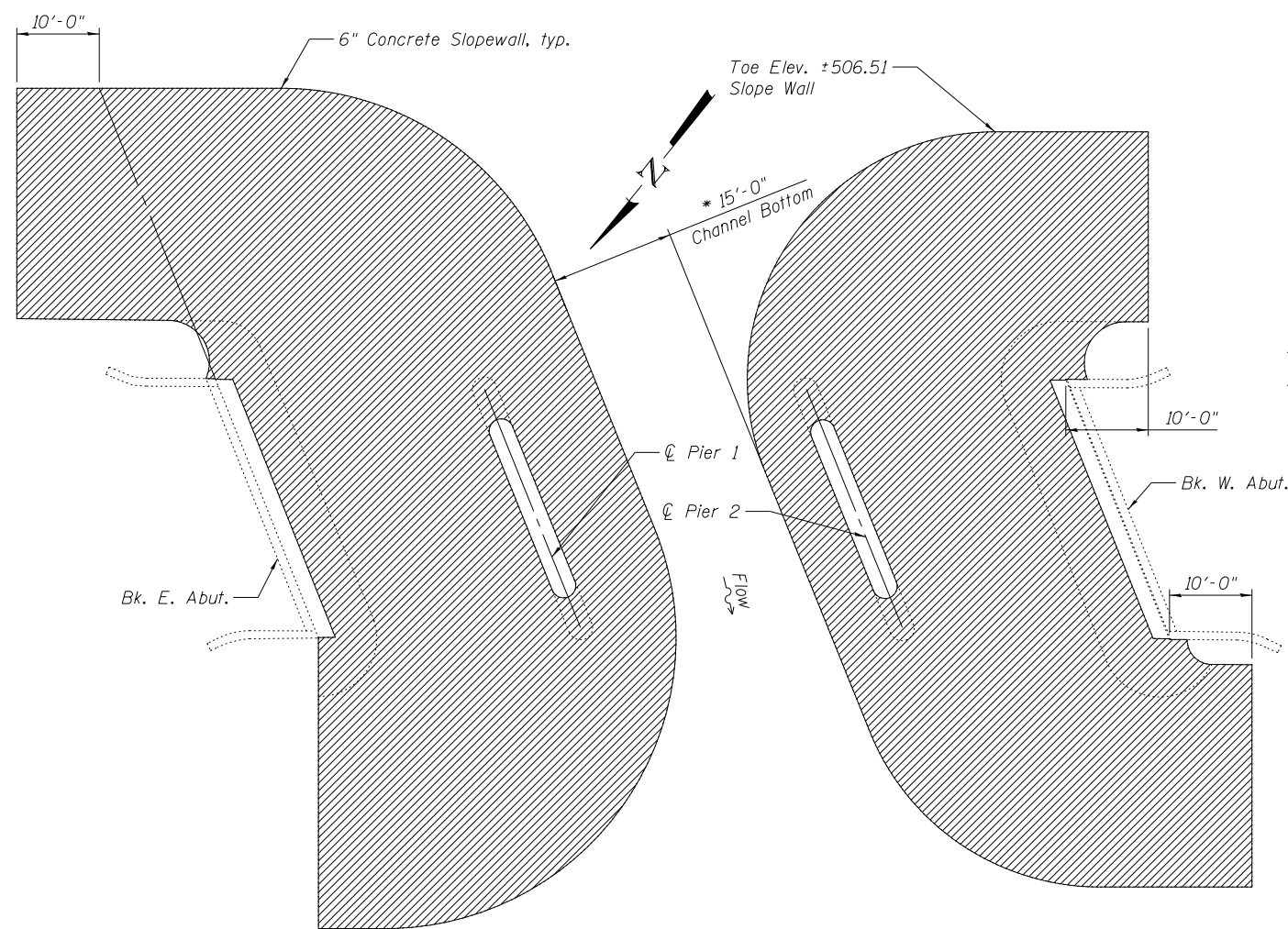


Note: Layout of the slope protection system may be varied to suit ground conditions in the field as directed by the Engineer.



*Dimension based on existing plans. May not match current stream dimension.

LEGEND

Slope Wall Removal

BILL OF MATERIALS

| Item | Unit | Total |
|------------------------|---------|-------|
| Stone Riprap, Class A5 | Sq. Yd. | 1,005 |
| Filter Fabric | Sq. Yd. | 937 |
| Slope Wall Removal | Sq. Yd. | 1,009 |

| | | |
|-----------------------|---------------------|---------|
| USER NAME = tborges | DESIGNED - BCM | REVISED |
| | CHECKED - KO | REVISED |
| PLOT SCALE = N/A | DRAWN - BCM | REVISED |
| PLOT DATE = 3/31/2014 | CHECKED - 8/23/2012 | REVISED |

| | | | | |
|---------------------------|---------------------|-------------|-----------------|--------------------|
| F.A.I. RTE. 55 | SECTION 99-2HB-3I-3 | COUNTY WILL | TOTAL SHEETS 87 | SHEET NO. 57 |
| | | | | CONTRACT NO. 60X60 |
| ILLINOIS FED. AID PROJECT | | | | |