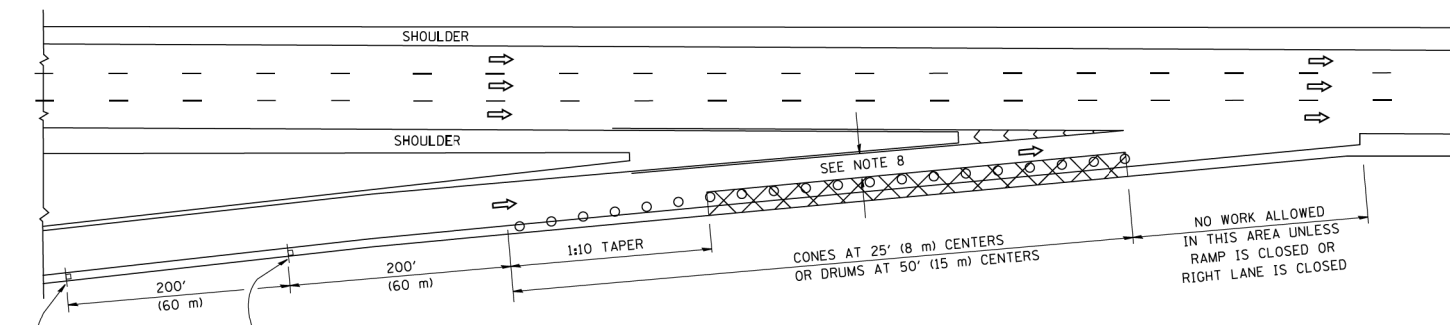
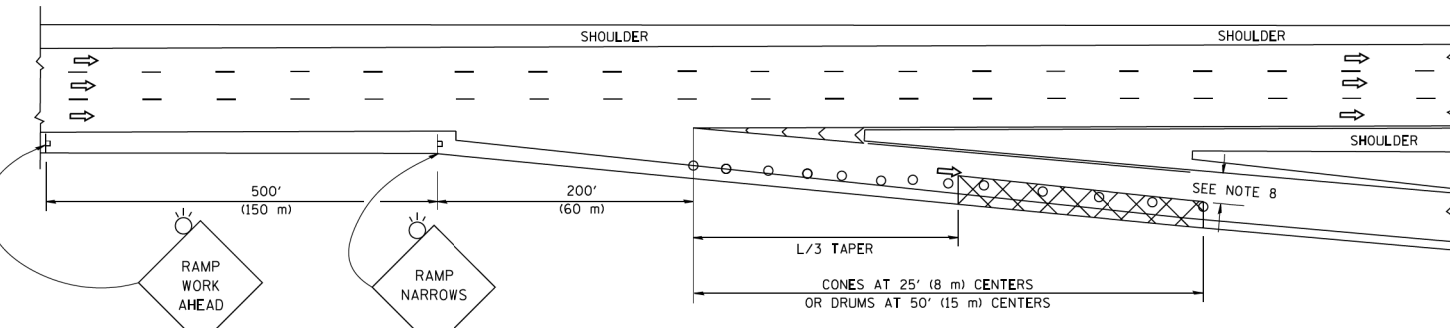


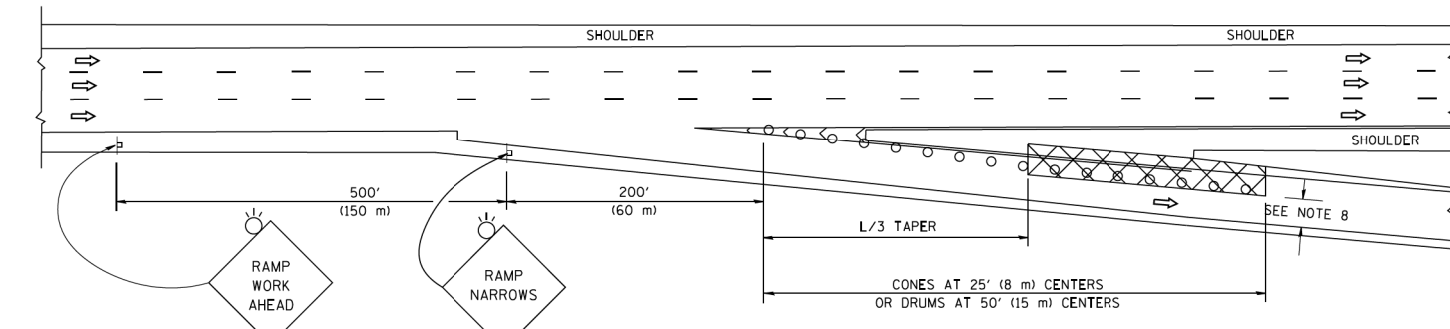
PARTIAL RAMP CLOSURE DETAILS



TYPICAL ENTRANCE RAMP



TYPICAL EXIT RAMP



TYPICAL EXIT RAMP

SYMBOLS

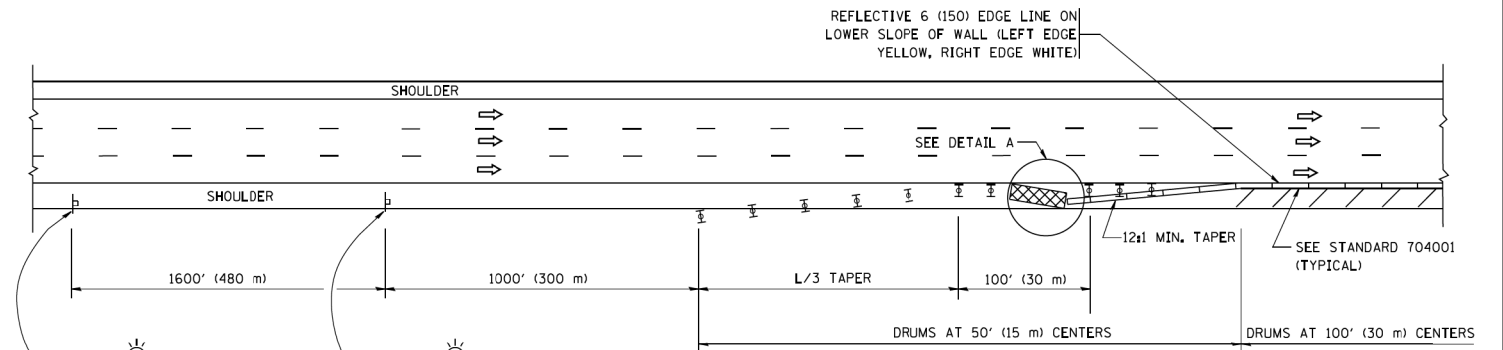
- ACTIVE WORK AREA
- SIGN ON PORTABLE OR PERMANENT SUPPORT
- FLAGGER WITH CONTROL SIGN
- TYPE II BARRICADE OR DRUM WITH STEADY BURN MONO-DIRECTIONAL LIGHT
- CONE, DRUM OR BARRICADE
- IMPACT ATTENUATOR OF TYPE AND TEST LEVEL SPECIFIED

GENERAL NOTES

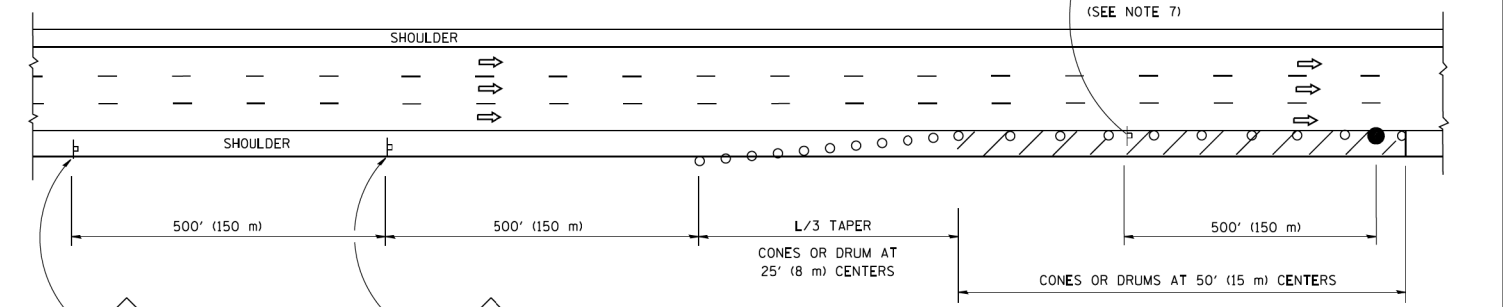
1. THE "L" DISTANCE EQUALS:
 

SPEED LIMIT	FORMULAS
45 mph (80 km/h) OR GREATER:	METRIC    ENGLISH
	$L=0.65(W)(S)$ $L=(W)(S)$
	W = WIDTH OF OFFSET IN FEET (METERS)
	S = NORMAL POSTED SPEED MPH (KM/H)
2. PLASTIC DRUMS WITH HIGH PERFORMANCE REFLECTIVE SHEETING AND STEADY BURNING LIGHTS ARE REQUIRED FOR ALL NIGHTIME CLOSURES.
3. ALL SIGNS SHALL BE POST MOUNTED IF THE CLOSURE TIME EXCEEDS FOUR DAYS.
4. FLASHING LIGHTS SHALL BE USED DURING THE HOURS OF DARKNESS AND SHALL BE INSTALLED ABOVE THE FIRST TWO SETS OF SIGNS.

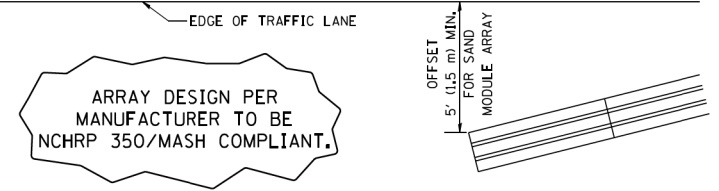
SHOULDER CLOSURE DETAILS



PERMANENT SHOULDER CLOSURE



DAYTIME SHOULDER CLOSURE



DETAIL "A"  
IMPACT ATTENUATOR, TEMPORARY  
(SEE NOTE 5)

5. THE IMPACT ATTENUATOR, TEMPORARY IS NOT REQUIRED WHEN THE TEMPORARY CONCRETE BARRIER WALL IS PROTECTED BY OR IS TIED INTO THE EXISTING GUARDRAIL. IF OFFSET IS LESS THAN 5 FEET USE NARROW USE TYPE DEVICE TO MEET NCHRP350/MASH.
6. AUTHORIZATION FROM THE DISTRICT'S BUREAU OF TRAFFIC IS REQUIRED FOR ALL FREEWAY CLOSURES.
7. THE FLAGGER AND FLAGGER SIGN ARE REQUIRED AT THE ABOVE WORK SITES WHEN:
  - a. FOUR OR MORE WORK VEHICLES ENTER THE TRAFFIC LANES IN A ONE HOUR PERIOD.
  - b. THE WORK ACTIVITY REQUIRES FREQUENT ENCRANCHMENT INTO THE LANE OPEN TO TRAFFIC.
 THE FLAGGER SHALL BE STATIONED APPROXIMATELY 100' (30 m) TO 200' (60 m) IN ADVANCE OF THE WORKERS.
8. 12" MIN. WIDTH TANGENT SECTION  
16" MIN. WIDTH CURVE SECTION.

ALL DIMENSIONS ARE IN INCHES (MILLIMETERS) UNLESS OTHERWISE SHOWN.

FILE NAME = F:\3-1319-Bldg\Drawings\CADD\Sheets\1160836-shr-df-01-11.dwg

USER NAME = tborges	DESIGNED -	REVISED - J.A.F. 12-06
	DRAWN - D.W.S.	REVISED - S.P.B. 01-07
PLOT SCALE = 100.00' / in.	CHECKED -	REVISED - S.P.B. 12-09
PLOT DATE = 3/31/2014	DATE - 11-96	REVISED - M.D. 06-13

STATE OF ILLINOIS  
DEPARTMENT OF TRANSPORTATION

TRAFFIC CONTROL DETAILS FOR FREEWAY			
SHOULDER CLOSURES AND PARTIAL RAMP CLOSURES			
SCALE: NONE	SHEET NO. 1 OF 1 SHEETS	STA.	TO STA.

F.A.I. RTE.	SECTION	COUNTY	TOTAL SHEETS	SHEET NO.
55	99-2HB-31-3	WILL	87	62
TC-17			CONTRACT NO. 60X60	
FED. ROAD DIST. NO. 1 ILLINOIS FED. AID PROJECT				