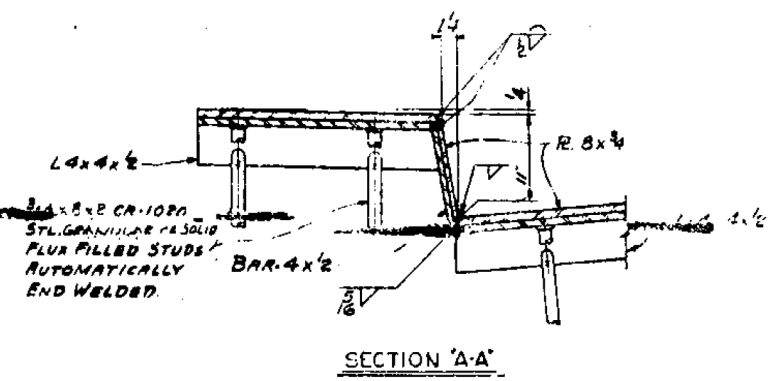
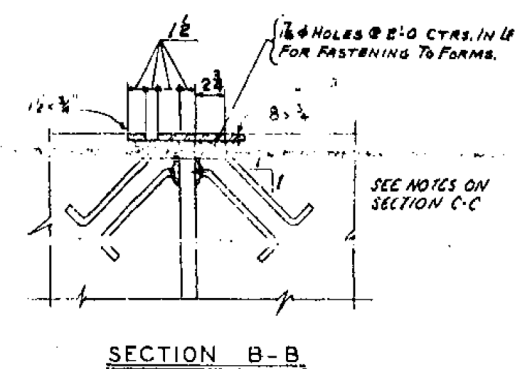
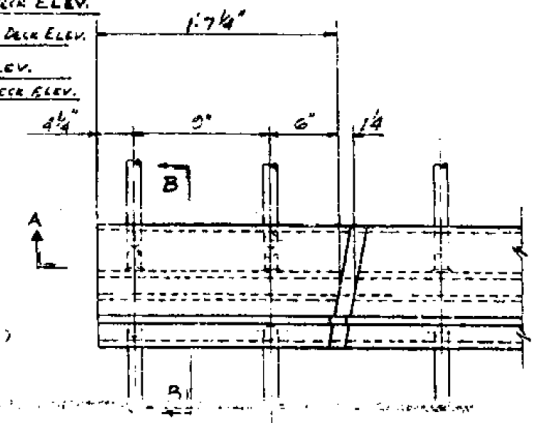
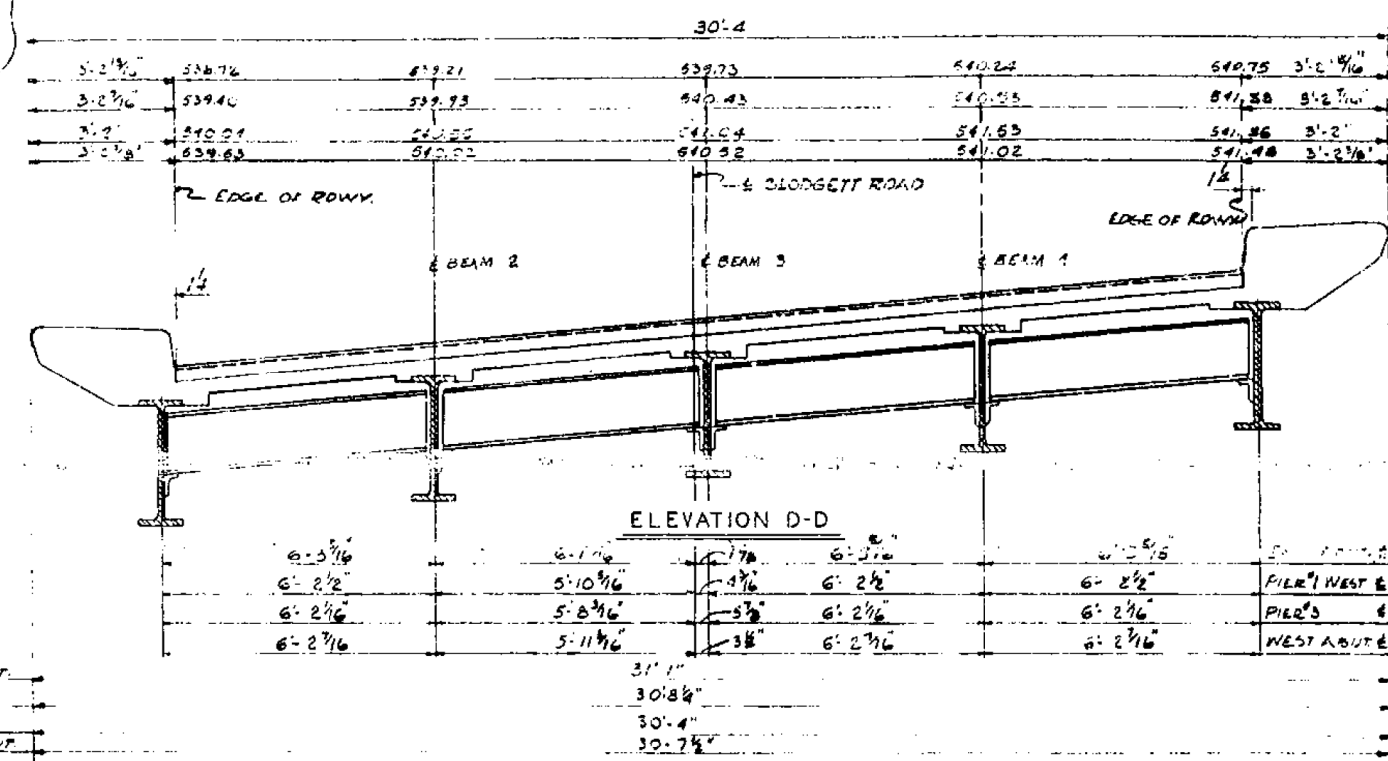
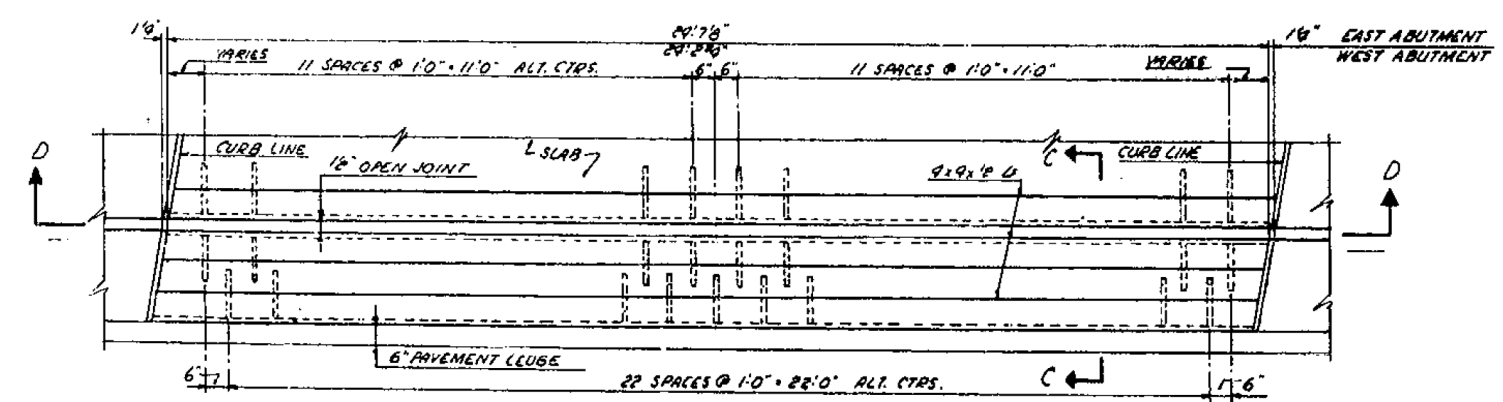
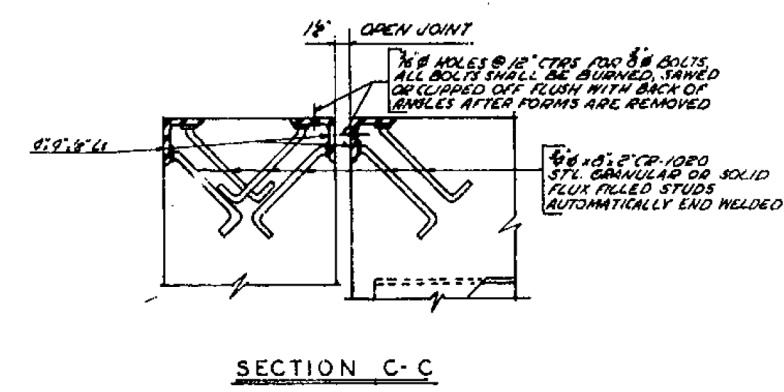
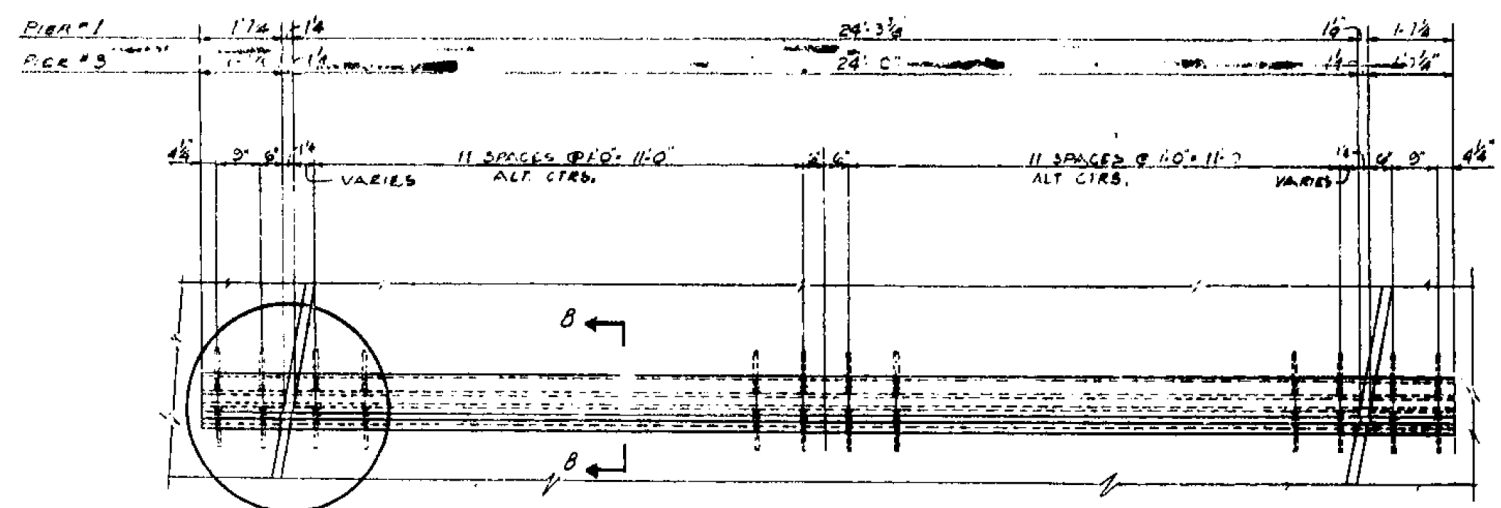


F.A.I. R.T.E. NO.	SECTION	COUNTY	TOTAL SHEETS	SHEET NO.
55	99-2HB-3	WILL	57	17
FEDERAL ROAD DISTRICT NO. 7		REPORT	PROJ.	



**NOTES:**  
 ALL WELDS SHOWN ARE 5/16" UNLESS OTHERWISE NOTED.  
 SET CURB IS & TCS. FLUSH WITH PLANE OF CURB AND WELD TO ROADWAY IS BRIND EXPOSED WELDS SMOOTH.  
 EXPANSION GUARDS SHALL BE FABRICATED & ERECTED IN ACCORDANCE WITH ARTICLE 51-13(d) OF THE STANDARD SPECIFICATIONS.  
 ANCHORS TO BE FIELD BENT TO CLEAR BEAMS WHERE REQUIRED.



**EXISTING STRUCTURAL PLAN SHEETS  
 "FOR REFERENCE USE ONLY"**

STRUCTURAL STEEL 5,135 LBS	
CONSOER, TOWNSEND & ASSOCIATES CONSULTING ENGINEERS CHICAGO, ILLINOIS	
ILLINOIS DIVISION OF HIGHWAYS BLODGETT ROAD OVER FAI-55 (U.S. 66) SECTION 99-2HB-3 WILL COUNTY	
STRUCTURAL STEEL EXP. JOINT DETAILS	
DESIGNED	DATE
D.M.P.	4.5.M. 5-22-59
DRAWN	DATE
E.A.A.	4.5.M. 5-22-59
CHECKED	DATE
A.E.V.	4.5.M. 5-22-59
REVISIONS	DATE
NO.	BY
1	

**BLOOM COMPANIES, LLC**  
 Infrastructure Development and Integrity  
 600 W. Fulton Street, Suite 701 • Chicago, IL 60661  
 Phone: (312) 676-8500 Fax: (312) 876-8600

USER NAME = tborjes	DESIGNED - NA	REVISED -
PLOT SCALE = 2.0000 "/in.	DRAWN - NA	REVISED -
PLOT DATE = 3/31/2014	CHECKED - NA	REVISED -
	DATE - NA	REVISED -

**STATE OF ILLINOIS  
 DEPARTMENT OF TRANSPORTATION**

EXISTING STRUCTURAL PLAN SHEETS SN 099-0182	
SCALE: N.T.S.	SHEET OF SHEETS STA. TO STA.

F.A.I. R.T.E. NO.	SECTION	COUNTY	TOTAL SHEETS	SHEET NO.
55	99-2HB-31-3	WILL	87	80
CONTRACT NO. 60X60			ILLINOIS FED. AID PROJECT	