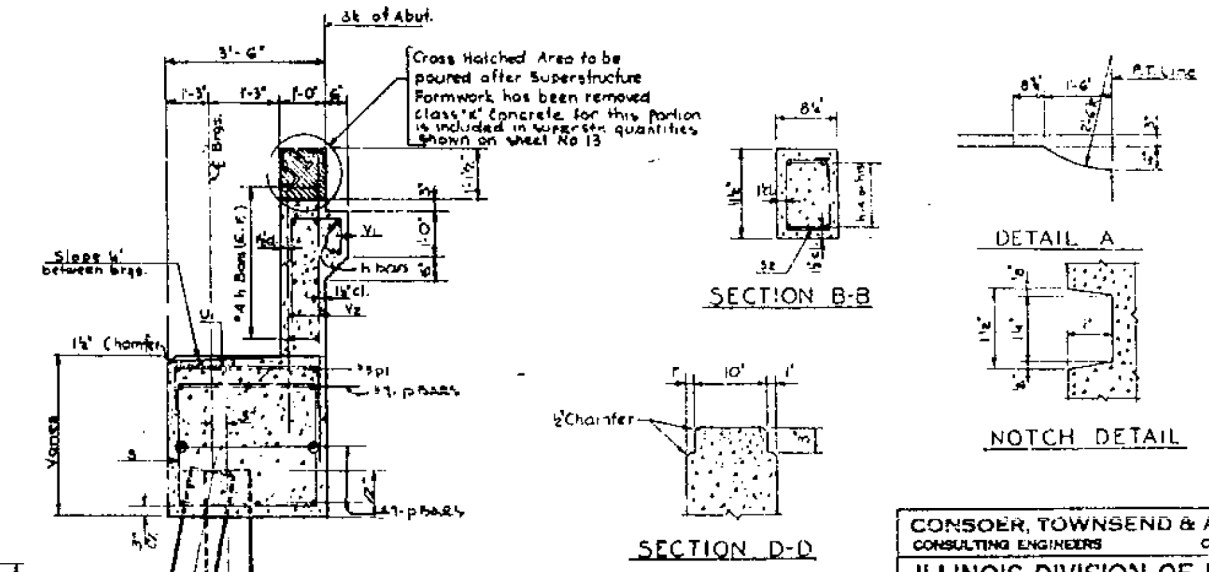
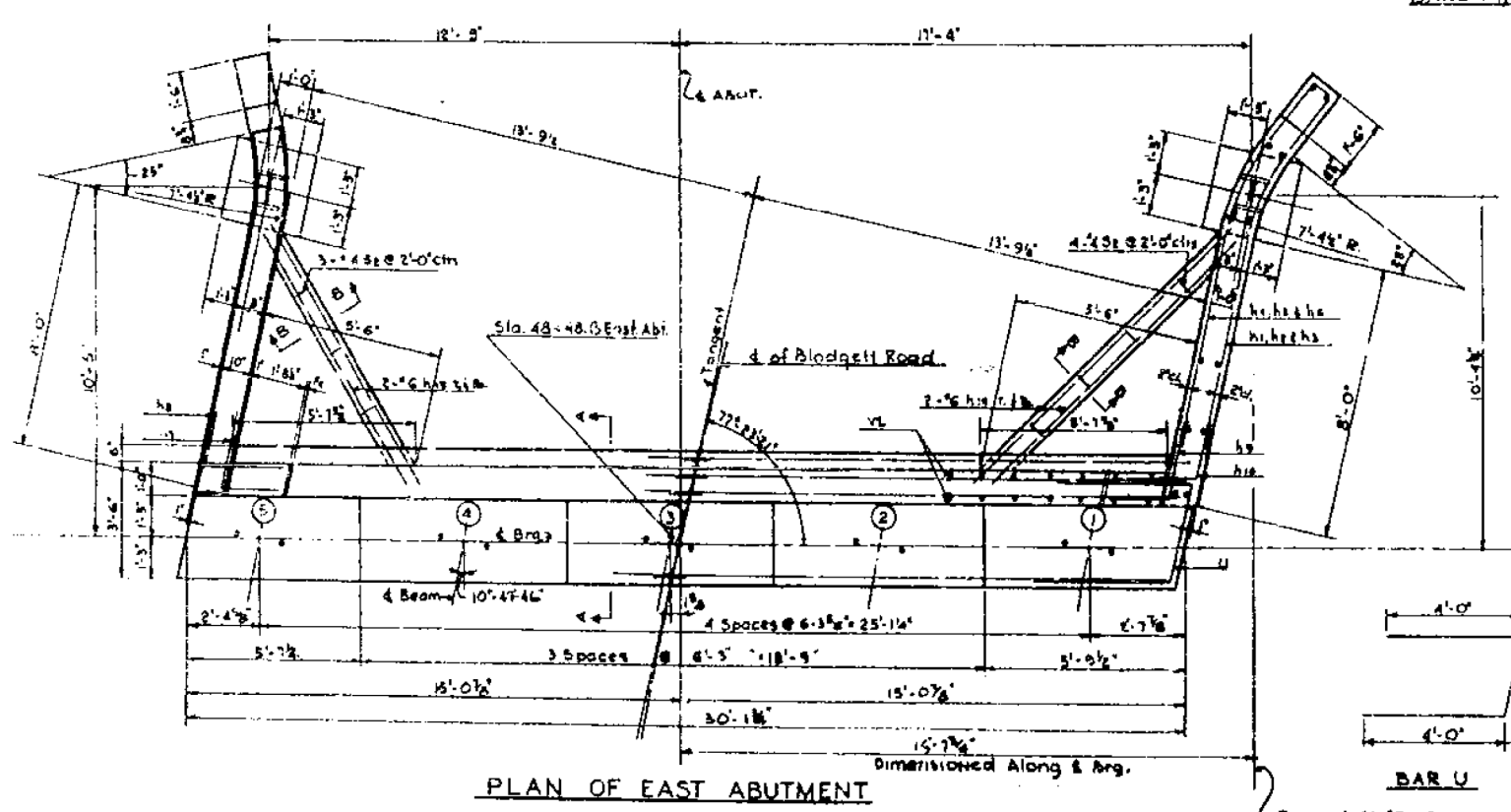
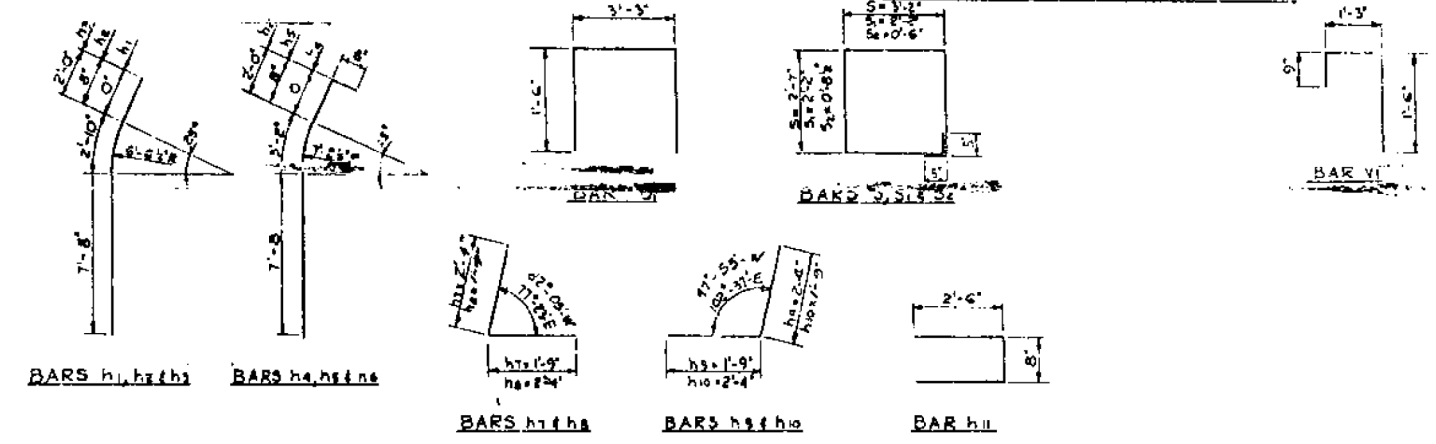
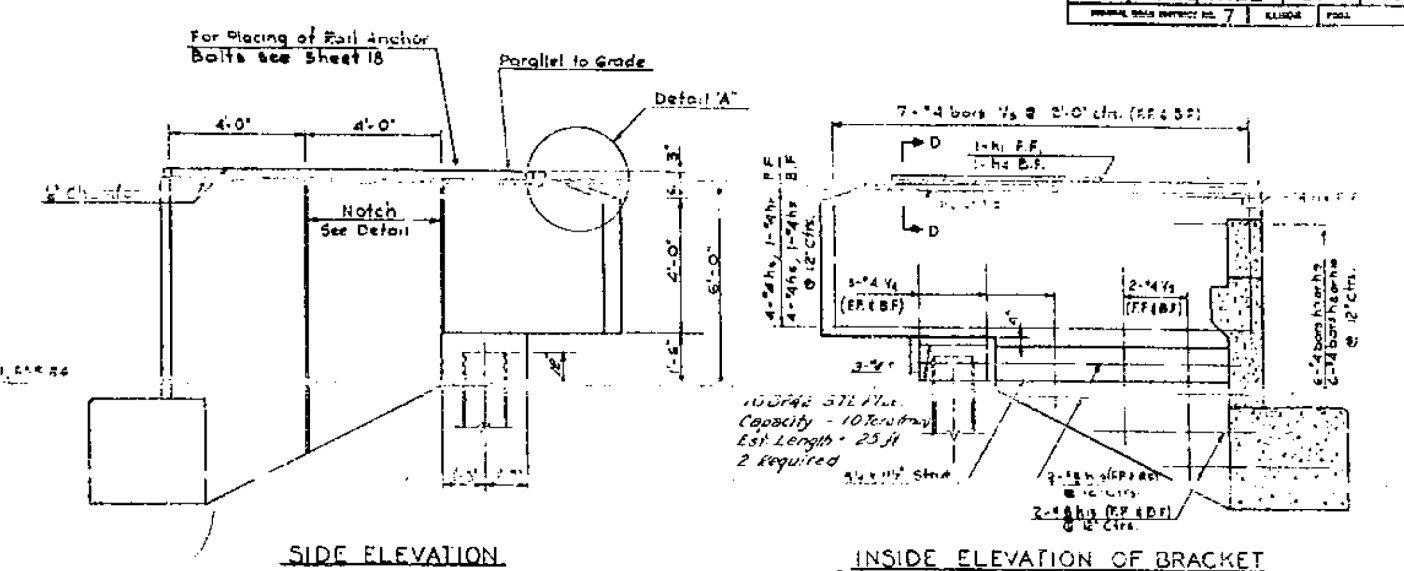
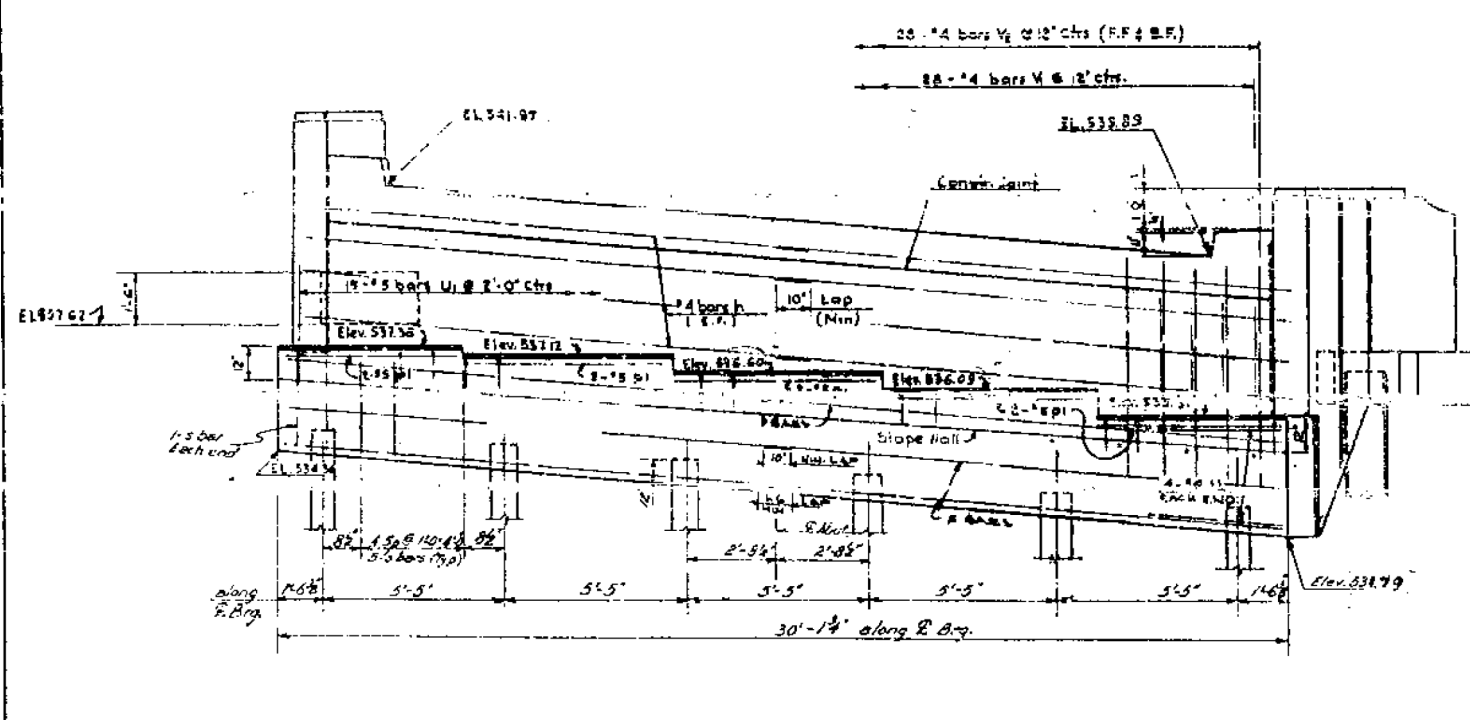


F.A.I. SHEET NO.	SECTION	COUNTY	TOTAL SHEETS	SHEET NO.
55	99-2HB-3	WILL	87	19
ILLINOIS DIVISION OF HIGHWAYS				



**EXISTING STRUCTURAL PLAN SHEETS  
 "FOR REFERENCE USE ONLY"**

**CONSOER, TOWNSEND & ASSOCIATES  
 CONSULTING ENGINEERS CHICAGO, ILLINOIS**

**ILLINOIS DIVISION OF HIGHWAYS**  
 BLODGETT ROAD OVER FALLS  
 US 66 SECTION 99-2HB-3  
 WILL COUNTY

**EAST ABUTMENT DETAILS**

DESIGNED	DRAWN	CHECKED	APPROVED	DATE
D.M.P.	M.L.	R.E.D.	H.S.M.	5/22/59

**STATE OF ILLINOIS  
 DEPARTMENT OF TRANSPORTATION**

**EXISTING STRUCTURAL PLAN SHEETS  
 SN 099-0182**

SCALE: N.T.S. SHEET OF SHEETS STA. TO STA.

F.A.I. SHEET NO.	SECTION	COUNTY	TOTAL SHEETS	SHEET NO.
55	99-2HB-31-3	WILL	87	81
CONTRACT NO. 60X60				
ILLINOIS FED. AID PROJECT				

FILE NAME = F:\3-1319\_Blodgett\CAD\Drawings\CADD\Sheets\01606536-11-E.Plan.dgn

**BLOOM COMPANIES, LLC**  
 Infrastructure Development and Integrity  
 600 W. Fulton Street, Suite 701 • Chicago, IL 60661  
 Phone: (312) 676-8800 Fax: (312) 676-8800

USER NAME = tborjes	DESIGNED - NA	REVISED -
PLOT SCALE = 2.0000 "/ in.	DRAWN - NA	REVISED -
PLOT DATE = 3/31/2014	CHECKED - NA	REVISED -
	DATE - NA	REVISED -