

|          |             |       |              |
|----------|-------------|-------|--------------|
| FILE NO. | PROJECT     | SHEET | TOTAL SHEETS |
| 55       | 99-2HB WILL | 57    | 24           |

| CAP BEAM ELEVATIONS |   |
|---------------------|---|
| LOCATION            | BLDGGETT ROAD OVER FAI-55                       |
| E. SIDE             | 1336.46   1336.46   1336.46   1336.46   1336.46 |
| W. SIDE             | 1336.46   1336.46   1336.46   1336.46   1336.46 |

| BAR SCHEDULE |      |        |        |          |    |
|--------------|------|--------|--------|----------|----|
| BAR NO       | SIZE | LENGTH | PACING | SHAPE    |    |
| 1401         | 8    | 6      | 23-4   | 11"      | —  |
| 1401         | 8    | 6      | 6-6    | 1-4"     | —  |
| 1401         | 8    | 4      | 7-10   | AS SHOWN | ○  |
| 1401         | 6    | 8      | 16-11  | 1-4"     | —  |
| 1402         | 6    | 4      | 6-6    | 1-4"     | —  |
| 1402         | 6    | 3      | 16-11  | AS SHOWN | —  |
| 1402         | 6    | 3      | 6-6    | AS SHOWN | —  |
| 1402         | 4    | 3      | 27-3   | AS SHOWN | —  |
| 1406         | 4    | 6      | 10-8   | AS SHOWN | —  |
| 1407         | 4    | 6      | 6-7    | AS SHOWN | —  |
| 1408         | 6    | 7      | 20-3   | AS SHOWN | —  |
| 1409         | 8    | 10     | 11-6   | AS SHOWN | —  |
| 1410         | 3    | 10     | 27-4   | AS SHOWN | —  |
| 1401         | 18   | 5      | 11-6   | 1-0"     | □  |
| 1402         | 10   | 5      | 4-6    | AS SHOWN | —  |
| 1403         | 8    | 5      | 17-2   | AS SHOWN | —  |
| 1404         | 6    | 8      | 19-2   | AS SHOWN | —  |
| 1401         | 18   | 6      | 8-8    | 1-0"     | □  |
| 1402         | 10   | 6      | 4-6    | AS SHOWN | —  |
| 1401         | 1    | 4      | -      | MM       | MM |
| 1402         | 1    | 4      | -      | MM       | MM |
| 1401         | 26   | 4      | 15-6   | AS SHOWN | □  |
| 1402         | 2    | 2      | 17-8   | AS SHOWN | □  |
| 1403         | 2    | 4      | 12-2   | AS SHOWN | □  |
| 1404         | 2    | 4      | 12-8   | AS SHOWN | □  |

| QUANTITIES              |              |
|-------------------------|--------------|
| CLASS 'X' CONCRETE      | 42.8 CU YDS  |
| REINFORCEMENT BARS      | 4286 LBS.    |
| CL 'A' EXCAV. FOR STRUC | 60 CU YDS    |
| DRIVING STEEL PILES     | 270 LIN. FT. |
| FURNISHING STL PILES    | 270 LIN. FT. |
| NAME PLATE              | 1 EACH       |

NOTE:  
 PROVIDE SPIRAL TOP & BOTTOM WITH ONE TURN 1-10"  
 ALL BAR DIMENSIONS ARE OUT TO OUT  
 ALL BOLSTER BLOCK STEPS SHALL BE TOGGED.

CONBOY, TOWNSEND & ASSOCIATES  
 CONSULTING ENGINEERS  
 CHICAGO, ILLINOIS

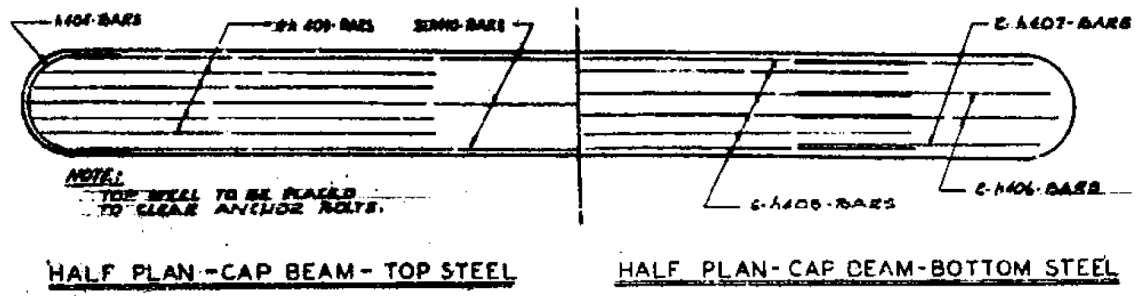
ILLINOIS DIVISION OF HIGHWAYS  
 BLDGETT ROAD OVER FAI-55  
 US 66 SECTION 99-2HB-3  
 WILL COUNTY

PIER 4 DETAILS

|        |        |      |               |
|--------|--------|------|---------------|
| D.M.P. | D.M.P. | REP. | H.S.M. 872-59 |
|--------|--------|------|---------------|

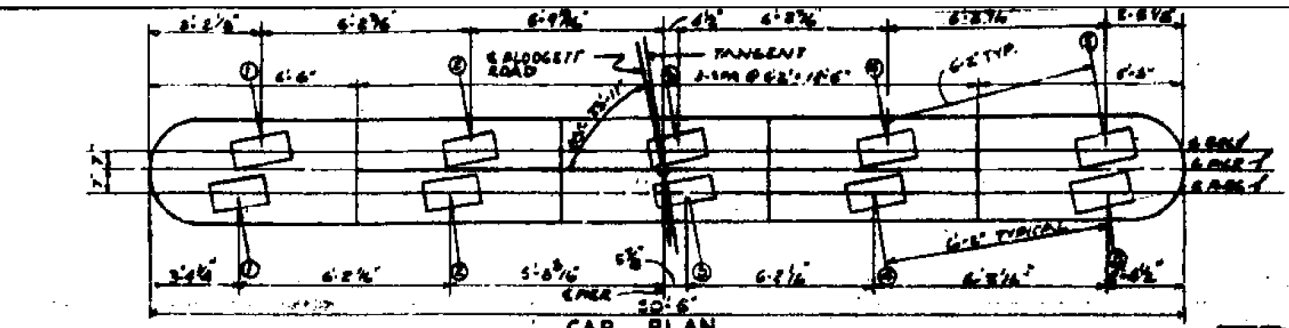
| F.A.I. RTE. | SECTION     | COUNTY | TOTAL SHEETS | SHEET NO. |
|-------------|-------------|--------|--------------|-----------|
| 55          | 99-2HB-31-3 | WILL   | 87           | 86        |

CONTRACT NO. 60X60  
 ILLINOIS FED. AID PROJECT

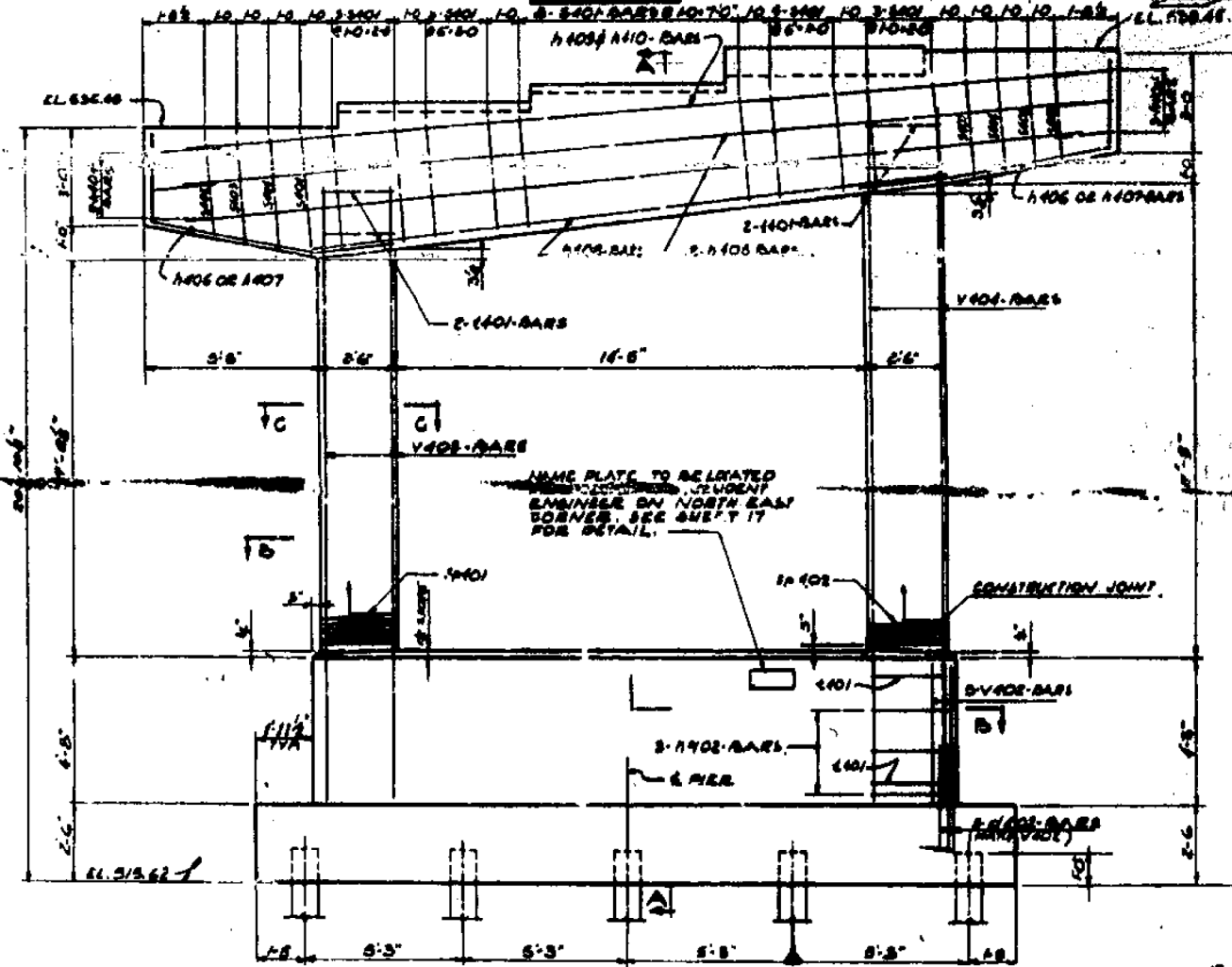


HALF PLAN - CAP BEAM - TOP STEEL

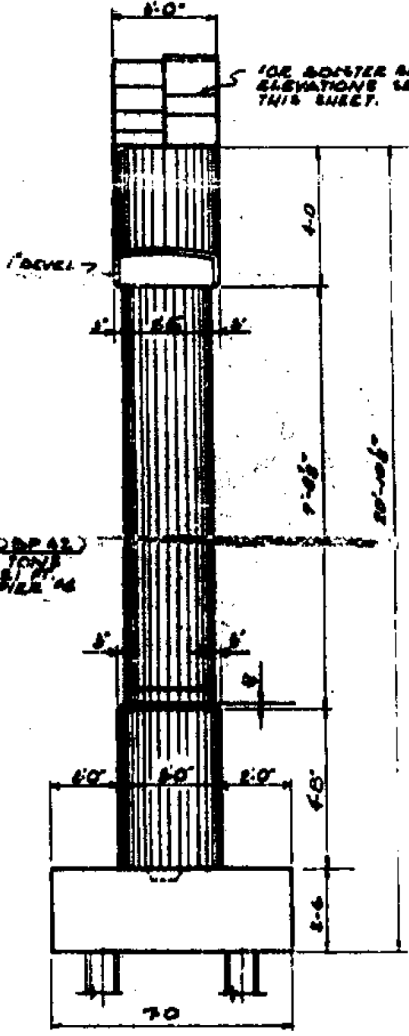
HALF PLAN - CAP BEAM - BOTTOM STEEL



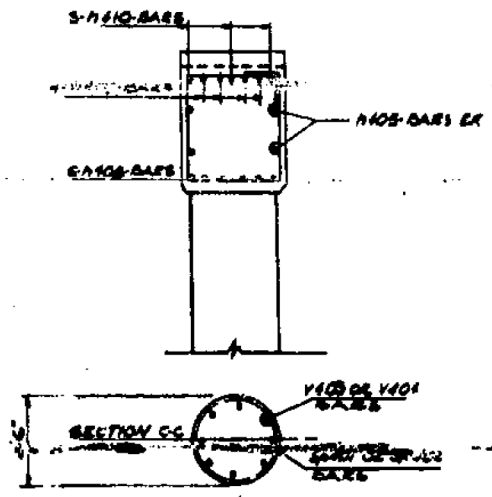
CAP PLAN



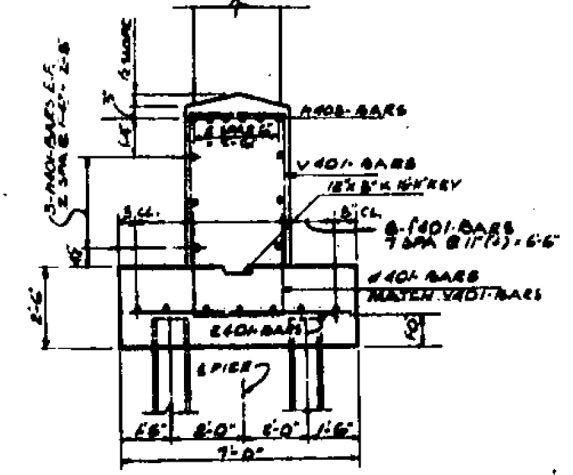
EAST ELEVATION



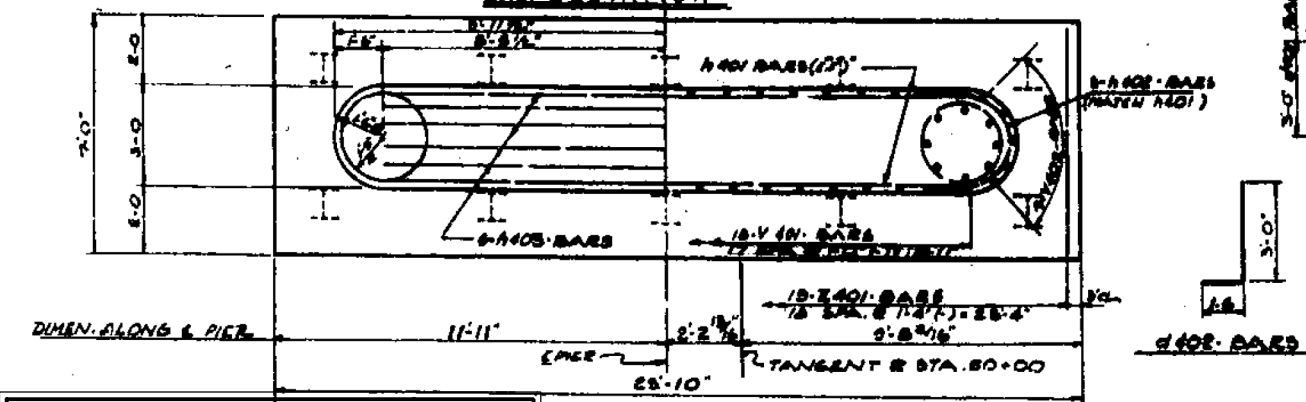
END ELEVATION



SECTION CC

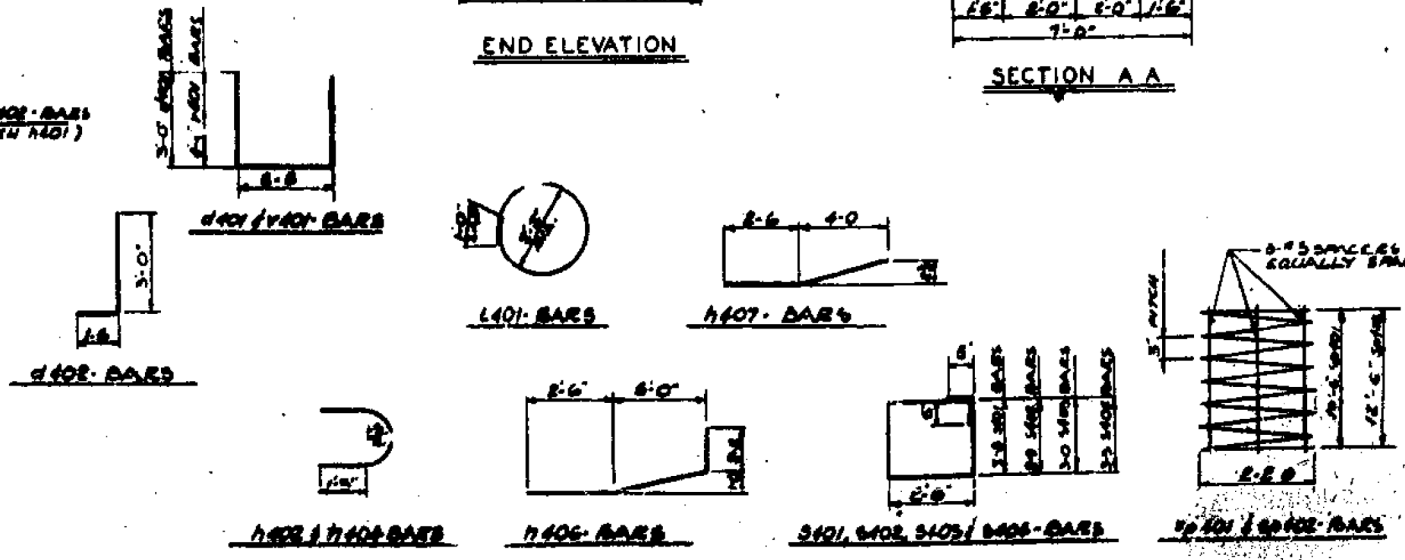


SECTION A-A



SECTION B-B

EXISTING STRUCTURAL PLAN SHEETS  
 "FOR REFERENCE USE ONLY"



BLOOM COMPANIES, LLC  
 Infrastructure Development and Design  
 600 W. Fulton Street, Suite 701 • Chicago, IL 60661  
 Phone: (312) 676-8500 Fax: (312) 876-8600

|                           |               |           |
|---------------------------|---------------|-----------|
| USER NAME = tborjes       | DESIGNED - NA | REVISED - |
| PLOT SCALE = 2.0000 "/in. | DRAWN - NA    | REVISED - |
| PLOT DATE = 3/31/2014     | CHECKED - NA  | REVISED - |
|                           | DATE - NA     | REVISED - |

STATE OF ILLINOIS  
 DEPARTMENT OF TRANSPORTATION

EXISTING STRUCTURAL PLAN SHEETS  
 SN 099-0182

SCALE: N.T.S. SHEET OF SHEETS STA. TO STA.