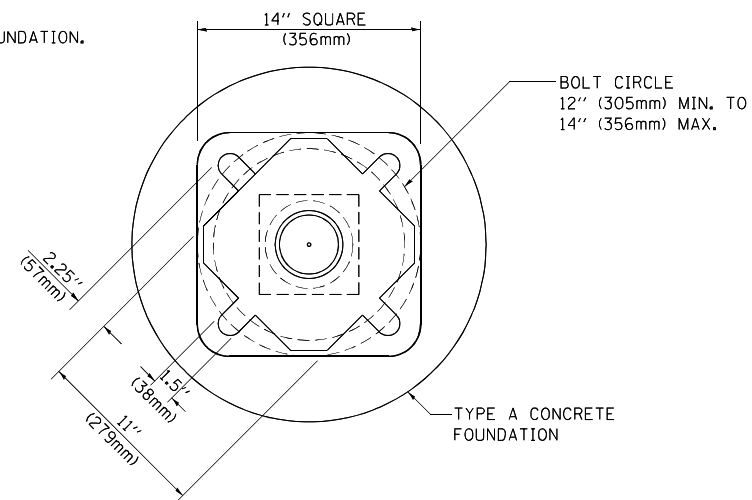


**SIGN TABLE**

SIGN	DIMENSIONS
R10-3b	9" (228mm) X 12" (305mm)
R10-3d	9" (228mm) X 12" (305mm)
R10-3e	9" (228mm) X 15" (381mm)



**BOLT PATTERN**

**PEDESTRIAN PUSH BUTTON POST, TYPE A**

FILE NAME =	USER NAME = footemj	DESIGNED - DAG	REVISED - DAG 1-1-14
cs:\pwork\pwork\footemj\d0108315\ts05.dgn		DRAWN - GND	REVISED -
	PLOT SCALE = 50.0000 / 1 in.	CHECKED - DAD	REVISED -
	PLOT DATE = 1/13/2014	DATE - 10/1/2012	REVISED -

**STATE OF ILLINOIS  
DEPARTMENT OF TRANSPORTATION**

**DISTRICT ONE  
STANDARD TRAFFIC SIGNAL DESIGN DETAILS**

SCALE: NONE SHEET NO. 7 OF 7 SHEETS STA. TO STA.

F.A. RTE.	SECTION	COUNTY	TOTAL SHEETS	SHEET NO.
	2014-007TS	COOK	88	18
TS-05		CONTRACT NO. 60X82		
FED. ROAD DIST. NO. 1   ILLINOIS FED. AID PROJECT				