

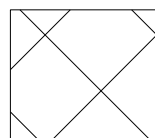
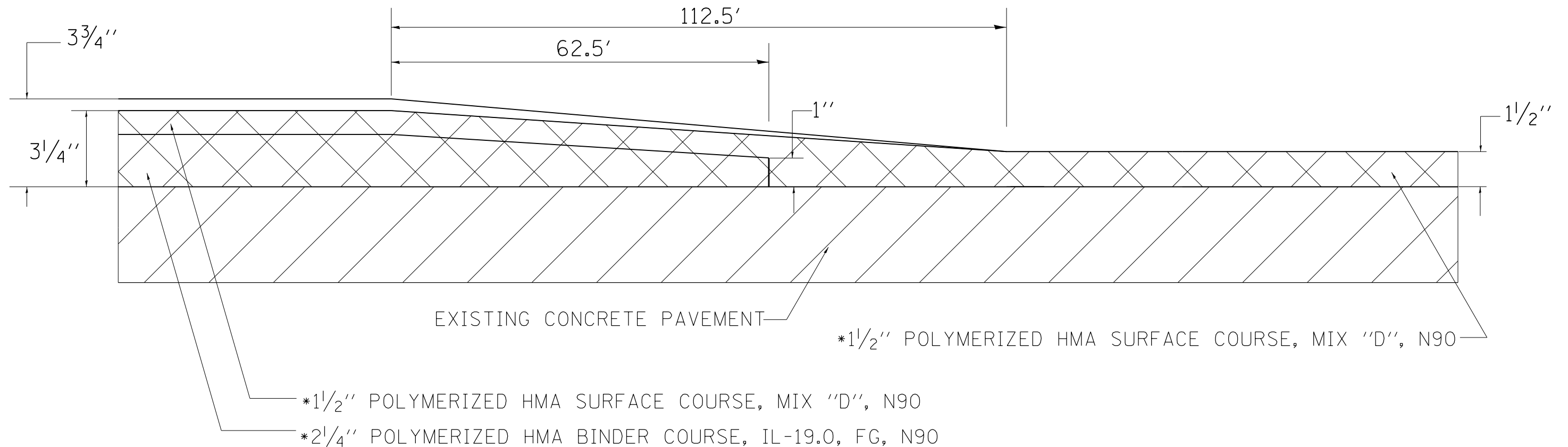
INTERSTATE 88 - TAPER SECTION

3.75" TO 1.5" RESURFACING-TAPER

STA 194+42.5 - 195+55 EB
 STA 197+13 - 198+25.5 EB
 STA 476+37.5 - 477+50 EB
 STA 479+13 - 480+25.5 EB
 STA 558+07.5 - 559+20 EB
 STA 561+70 - 562+82.5 EB
 STA 708+88.5 - 710+01 EB

STA 194+42.5 - 195+55 WB
 STA 197+13 - 198+25.5 WB
 STA 475+82.5 - 476+95 WB
 STA 478+58 - 479+70.5 WB
 STA 538+97.5 - 540+10 WB
 STA 543+10 - 544+22.5 WB
 STA 710+22.5 - 711+35 WB

MOLINE RD (NE RAMP)
 STA 5213+46 - 5214+58.5
 STA 5217+08.5 - 5218+21



REMOVAL OF EXISTING HMA OVERLAY

*HMA SURFACE AND BINDER COURSE 112 LB/SQ YD/IN

FILE NAME =	USER NAME = diaza	DESIGNED -	REVISED -	STATE OF ILLINOIS DEPARTMENT OF TRANSPORTATION	TYPICAL SECTIONS	F.A.I. RTE.	SECTION	COUNTY	TOTAL SHEETS	SHEET NO.
Q:\Projects\Rock_Island\64065.I-88_Cold	milling, pavement patching & HMA resurfacing	DRAWN to the Whiteside Co. Line\Mar	REVISED FINAL\64065.dgn			88	(161-1) RS-1	ROCK ISLAND	104	16
Default	PLOT SCALE = 100.0000' / in.	CHECKED -	REVISED -		SCALE:					
	PLOT DATE = Wed Mar 19 11:01:57 2014	DATE -	REVISED -		SHEET	OF	SHEETS	STA.	TO	STA.
										ILLINOIS FED. AID PROJECT