

# INTERSTATE 88 - TAPER SECTION

## 3.75" TO 3.25" TYPICAL I80 RAMP TAPER

SW RAMP 2  
STA 1392+17 - 1392+42

SE RAMP 1  
STA 1076+64 - 1076+89

NW RAMP 2  
STA 1329+21 - 1329+46

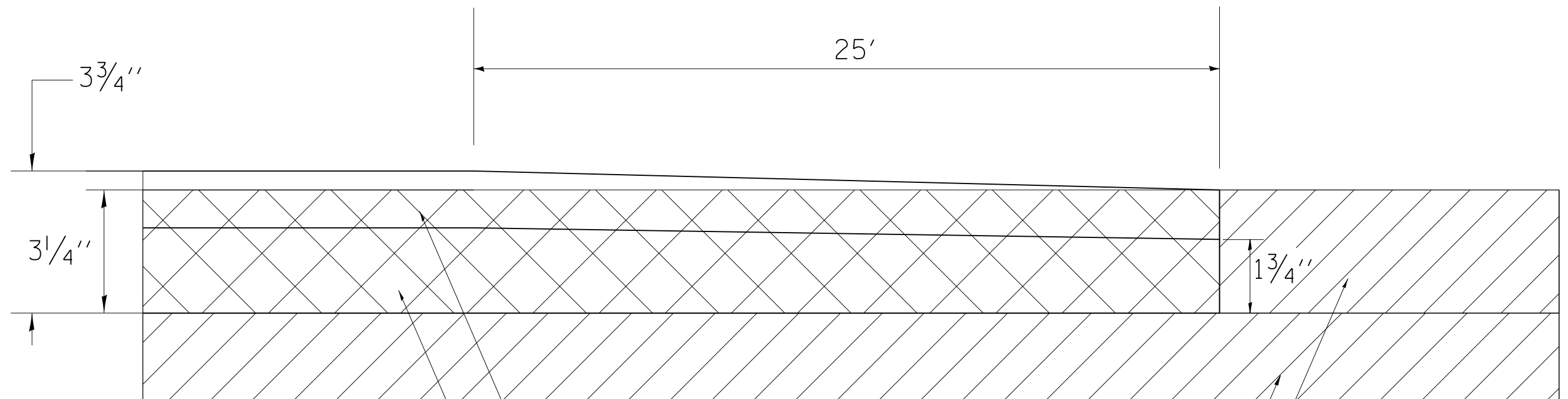
NE RAMP 1  
STA 1098+41 - 1098+66

SW RAMP 1  
STA 1047+08 - 1047+33

SE RAMP 2  
STA 1109+56 - 1109+81

NW RAMP 1  
STA 1015+93 - 1016+18

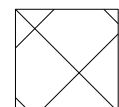
NE RAMP 2  
STA 1235+08 - 1235+33



EXISTING CONCRETE PAVEMENT  
EXISTING 3 1/4" HMA OVERLAY

\*1 1/2" POLYMERIZED HMA SURFACE COURSE, MIX "D", N90

\*2 1/4" POLYMERIZED HMA BINDER COURSE, IL-19.0, FG, N90



REMOVAL OF EXISTING HMA OVERLAY

\*HMA SURFACE AND BINDER COURSE 112 LB/SQ YD/IN

FILE NAME =	USER NAME = diaza	DESIGNED -	REVISED -	<b>STATE OF ILLINOIS DEPARTMENT OF TRANSPORTATION</b>	<b>TYPICAL SECTIONS</b>	F.A.I. RTE.	SECTION	COUNTY	TOTAL SHEETS	SHEET NO.
Q:\Projects\Rock_Island\64065.I-88_Cold Milling, pavement patching & HMA resurfacing	DRAWN to the Whiteside Co. Line\Maris	REVISION	FINAL\64065.dgn			88	(161-1) RS-1	ROCK ISLAND	104	19
Default	PLOT SCALE = 100.0000' / in.	CHECKED -	REVISID -		SCALE:					
	PLOT DATE = Wed Mar 19 11:05:00 2014	DATE -	REVISID -		SHEET	OF	SHEETS	STA.	TO	STA.
										ILLINOIS FED. AID PROJECT 64065