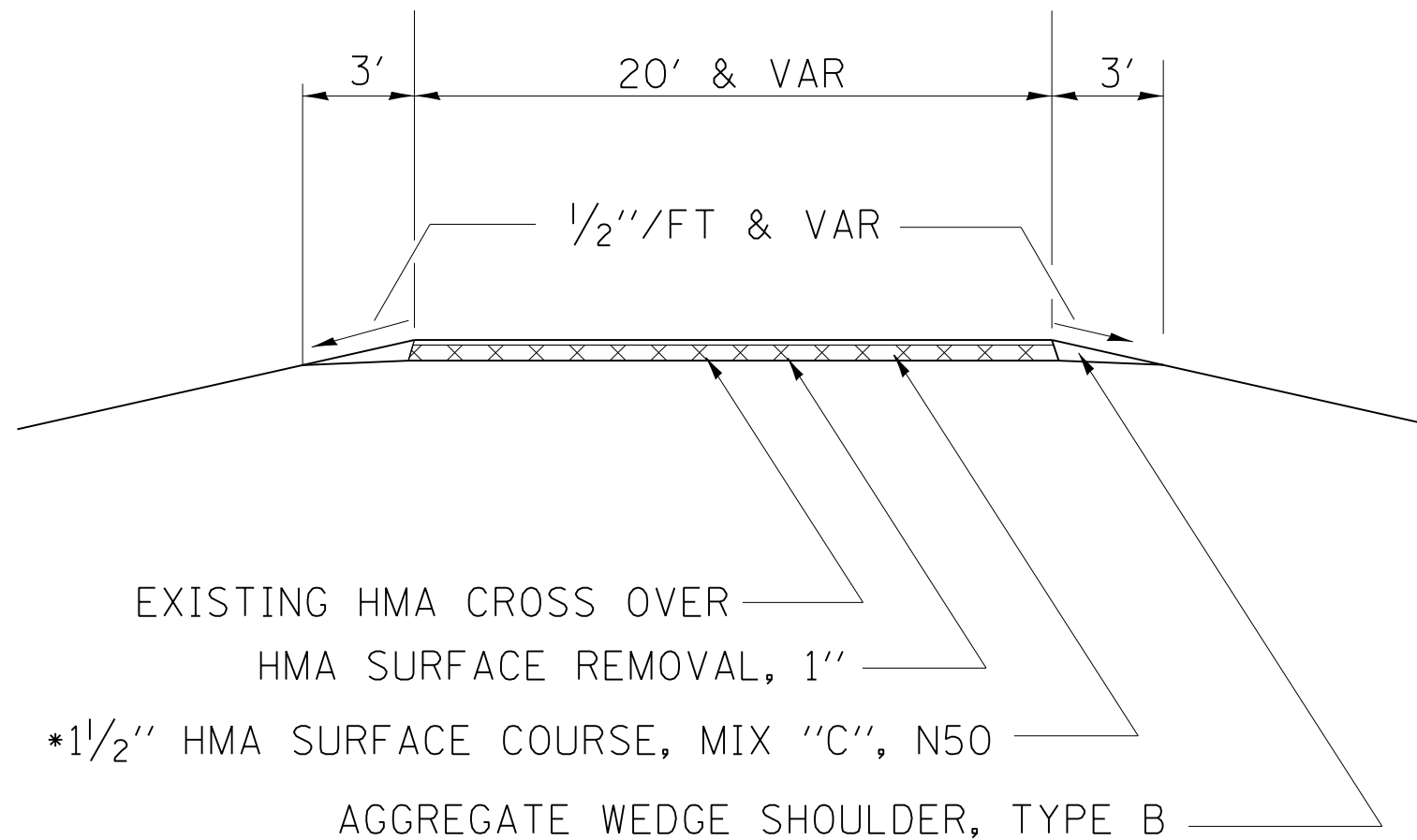


TYPICAL SECTION CROSS OVERS

STA 101+23
STA 340+58
STA 597+54

STA 233+58
STA 495+54
STA 661+93



REMOVAL OF EXISTING HMA OVERLAY

*HMA SURFACE AND BINDER COURSE 112 LB/SQ YD/IN

FILE NAME =	USER NAME = diaza	DESIGNED -	REVISED -	STATE OF ILLINOIS DEPARTMENT OF TRANSPORTATION	TYPICAL SECTIONS		F.A.I. RTE.	SECTION	COUNTY	TOTAL SHEETS	SHEET NO.
Default	0:\Projects\Rock_Island\64065.I-88_Cold_milling_pavement_patching & HMA resurfacing	DRAWN to the Whiteside Co. Line\Mari's	REVISED FINAL\64065.dgn		88	(161-1) RS-1	ROCK ISLAND	104	23	64065	
	PLOT SCALE = 100.0000' / in.	CHECKED -	REVISED -		SCALE:	SHEET	OF	SHEETS	STA.	TO	STA.
	PLOT DATE = Wed Mar 19 11:08:51 2014	DATE -	REVISED -								