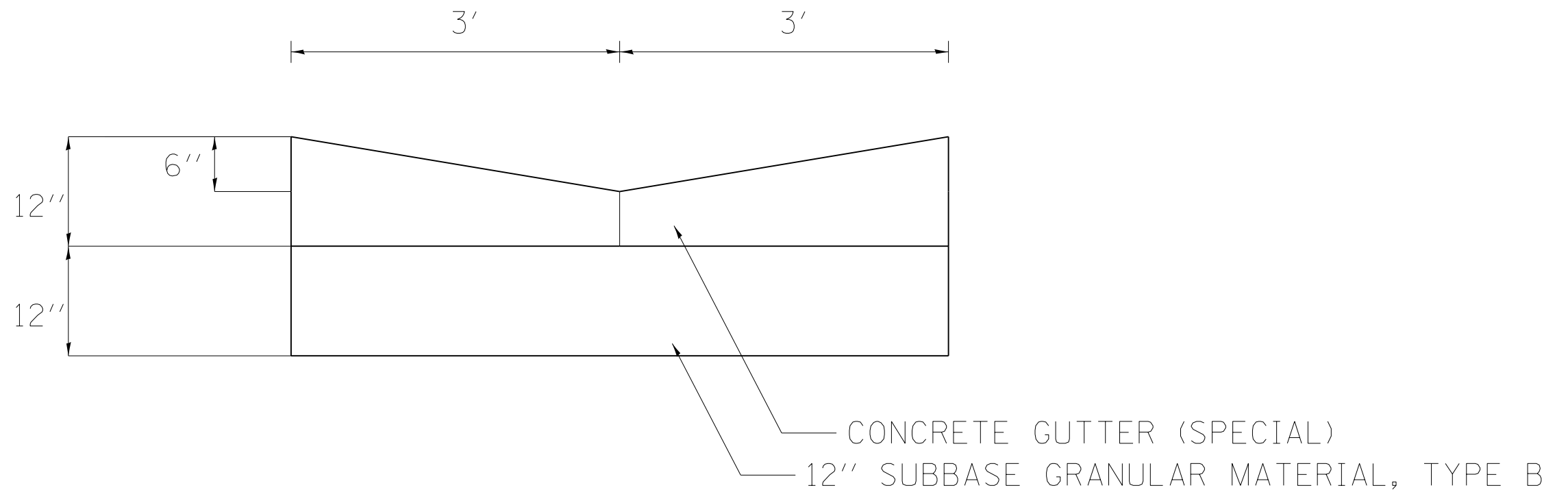


CONCRETE GUTTER (SPECIAL)

STA 39+36 - 40+16



NOTES:
THIS WORK SHALL BE DONE IN ACCORADNACE
WITH THIS DETAIL AND STANDARD 606101

FILE NAME =	USER NAME = diaza	DESIGNED -	REVISED -	STATE OF ILLINOIS DEPARTMENT OF TRANSPORTATION	CONCRETE GUTTER (SPECIAL) DETAIL			F.A.I. RTE.	SECTION	COUNTY	TOTAL SHEETS	SHEET NO.
D:\Projects\Rock_Island\64065.1-88_Cold Milling, pavement patching & HMA resurfacing	DRAWN to the Whiteside Co. Line\Mari's	REVISED	FINAL\64065.dgn					88	(161-1)RS-1	ROCK ISLAND	104	91
Default	PLOT SCALE = 100.0000' / in.	CHECKED -	REVISED -		SCALE: SHEET OF SHEETS STA. TO STA.			CONTRACT NO. 64065				
	PLOT DATE = Wed Mar 19 11:19:29 2014	DATE -	REVISED -		ILLINOIS FED. AID PROJECT							