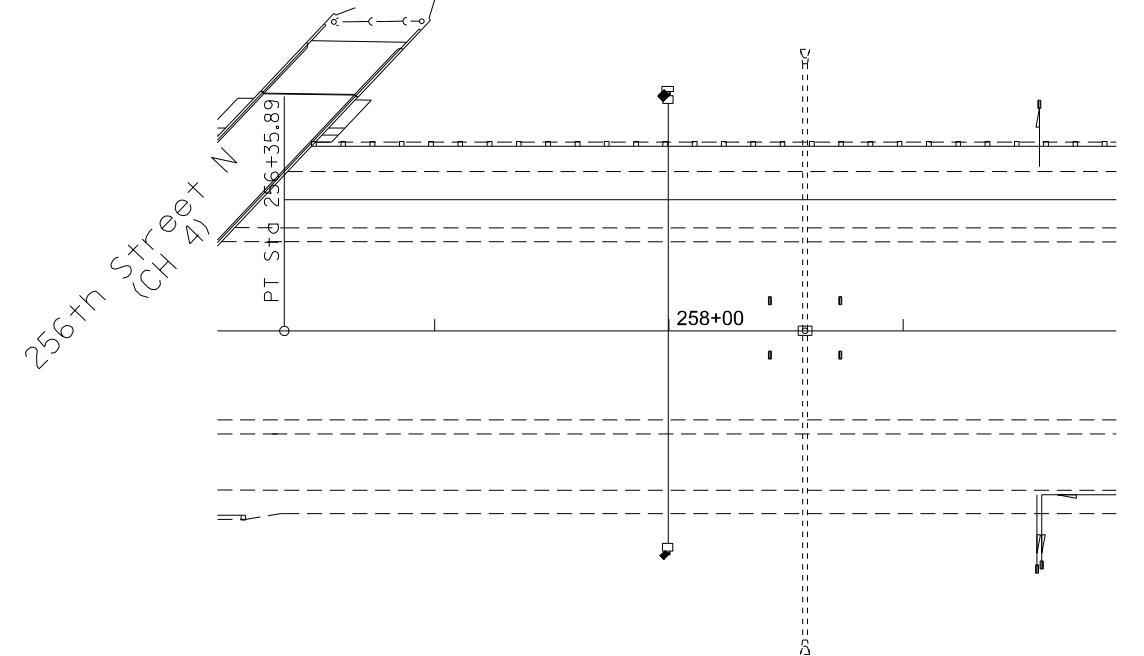


GENERAL NOTES
 Posts shall be plumbed by using shims with post-to-stub post connection bolts snug tight only. Final tightening of all High Strength Bolts shall be in accordance with Article 727.05 and threads at the junction of the bolt and nut shall be burred or center punched to prevent the nut from loosening.
 LOADING: 80 m.p.h. wind with 30% gust factor, normal to sign.
 DESIGN STRESSES:
 Structural steel - 20,000 p.s.i.
 Reinforcing steel - 20,000 p.s.i.
 Concrete - 1,400 p.s.i.
 Footing soil pressure - 2,000 p.s.f.
 After fabrication, the post and upper 6", min. of the stub post shall be hot-dip galvanized in accordance with AASHTO M111. All bolts, nuts and washers shall be hot-dip galvanized in accordance with AASHTO M232.

- NOTES:**
- SYSTEM CONSISTS OF TWO W6 X 15 I-BEAM SIGNPOSTS WITH CONCRETE FOUNDATION AND A FLANGE WITH BREAKAWAY BOLTS
 - THE I-BEAMS ARE 12' LONG AND DRILLED AS PER THE I-BEAM DETAIL TO ACCOMODATE A PIPE TO ALLOW THE MOUNTING OF THE SOLAR PANEL.
 - THE WEB OF THE I-BEAM IS TO BE PLACED PARALLEL TO THE LANES.
 - THE TWO POSTS MUST BE PLACED DIRECTLY ACROSS FROM EACH OTHER AND PERPENDICULAR TO THE LANES.
 - TWO POSTS ARE REQUIRED LOCATED AS PER THE DRAWING.
 - THE CABINETS ARE ATTACHED TO THE I-BEAM USING 8" GALVANIZED J-BOLTS.
 - THE BOTTOM OF THE CABINET HEIGHT MUST BE NO LOWER THAN 4' ABOVE THE GROUND AND BE ABLE TO VIEW ACROSS ALL LANES AT THE CROWN OF THE PAVEMENT.
 - THE IDOT OFFICE OF PLANNING AND PROGRAMMING DATA MANAGEMENT LAB (RAMON TAYLOR or RICH MARX 217-782-2065) SHALL BE NOTIFIED TWO WEEKS PRIOR TO THE LAYOUT AND SHALL BE PRESENT DURING THE PLACEMENT OF THE POST FOUNDATIONS.

TIRTL TRAFFIC COUNTER SCHEDULE OF QUANTITIES (FOR INFORMATION ONLY)			
CODE NO.	ITEM	UNIT	QUANTITY
	CONCRETE FOUNDATION W/STUB AND I-BEAM FLANGE (SPECIAL)	EACH	2
	12' I-BEAM POST (SPECIAL) W/BREAKAWAY BOLTS	EACH	2
	TIRTL TRAFFIC DATA COLLECTION SYSTEM	EACH	1
	RAVEN XT EVDO Rev A VZW P/N V2221-VD	EACH	1
	PHANTOM DUAL BAND ANTENNA P/N RF-ART18305SP/281	EACH	1
	TIRTL CABINET 15" X 27" X 16"	EACH	2
	BATTERY CABINET 16.5" X 16" X 11.5"	EACH	1
	SOLAR PANEL 40 W 12 VDC	EACH	2
	SOLAR PANEL 20 W 12 VDC	EACH	2
	SOLAR CHARGE REGULATOR 6 AMP 12 VDC	EACH	2
	BATTERY - 33 AH ABSORBED ELECTROLYTE 8" X 5.5 X 7" (DEEP CYCLE)	EACH	1
	BATTERY - 80 AH ABSORBED ELECTROLYTE 10" X 6" X 8" (DEEP CYCLE)	EACH	1



BREAK-AWAY WIDE FLANGE STEEL POST DETAILS

