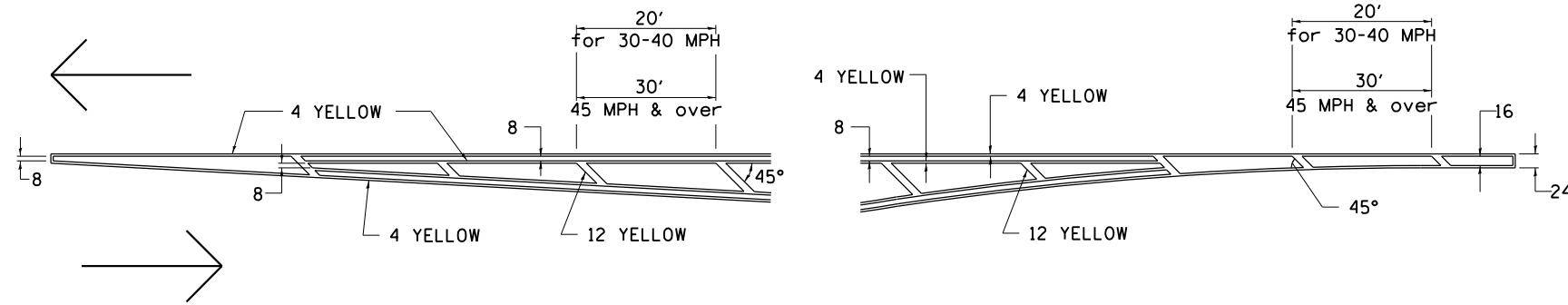
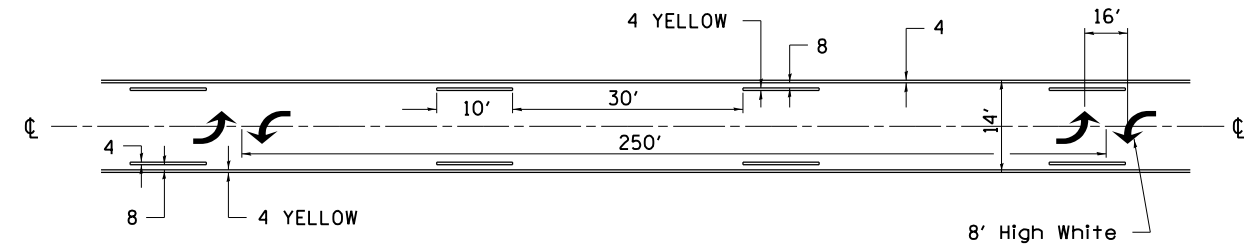


TYPICAL PAVEMENT MARKINGS

TYPICAL PAVEMENT MARKING FOR FLUSH MEDIAN AT LEFT TURN LANE

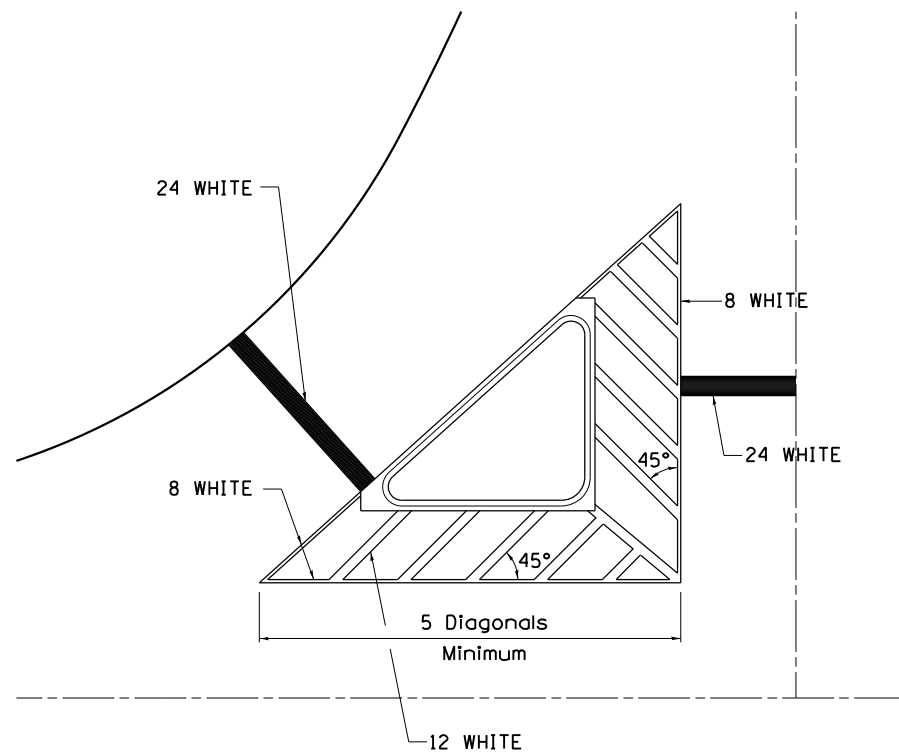


MEDIAN PAVEMENT MARKING

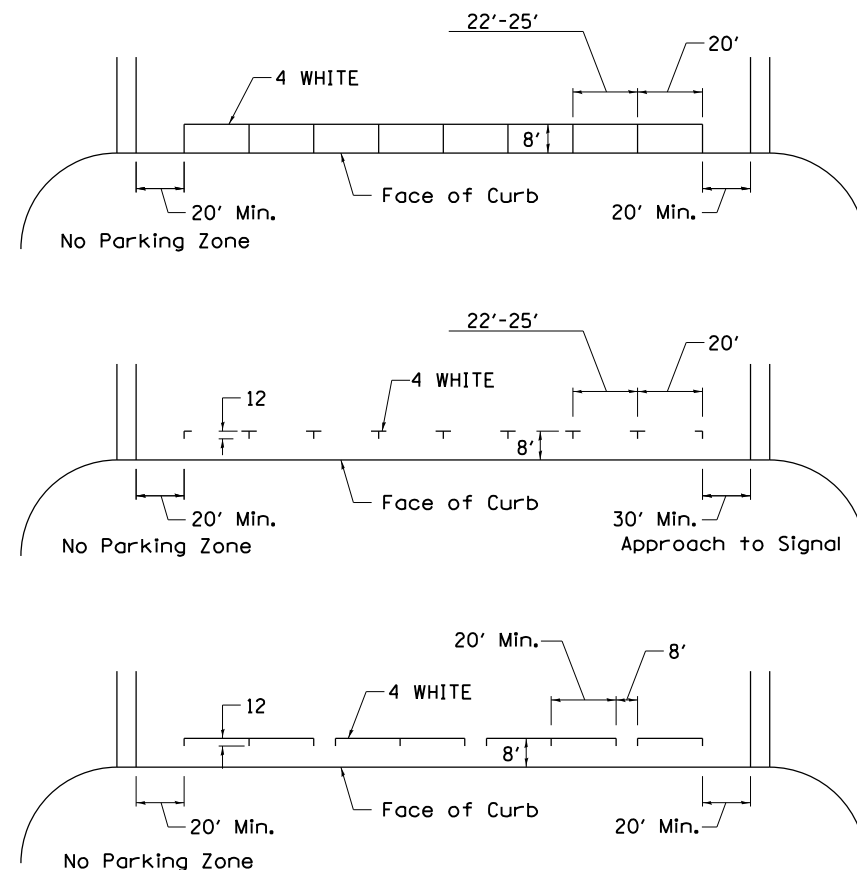


•• ALL DIMENSIONS ARE IN INCHES UNLESS OTHERWISE NOTED.

TYPICAL ISLAND OFFSET SHOULDER WIDTH

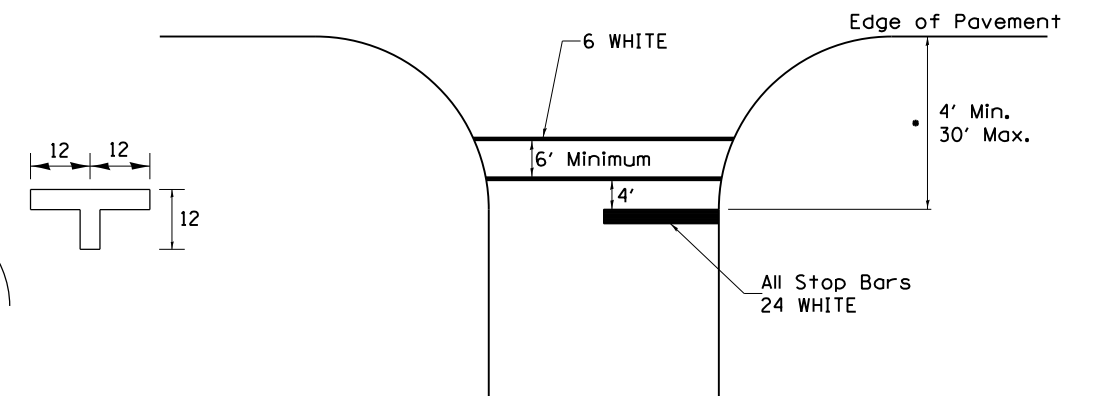


TYPICAL PARKING SPACING



STANDARD CROSSWALK MARKING

See Schedules for Locations



• Distance to the nearest edge of the intersecting roadway in the absence of a marked crosswalk.

FILE NAME =	USER NAME = diaza	DESIGNED -	REVISED - 3-05-12	STATE OF ILLINOIS DEPARTMENT OF TRANSPORTATION	REGION 2 / DISTRICT 2 STANDARD			F.A.I. RTE.	SECTION	COUNTY	TOTAL SHEETS	SHEET NO.
D:\Projects\Rock_Island\64065.I-88_Cold Milling, pavement patching & HMA resurfacing	DRAWN to the Whiteside Co. Line\Maris	REVISED FINAL\64065.dgn						88	(161-1) RS-1	ROCK ISLAND	104	97
PLOT SCALE = 100.0000' / in.	CHECKED -	REVISED -			CONTRACT NO. 64065							
PLOT DATE = Wed Mar 19 11:24:09 2014	DATE -	REVISED -			SCALE: SHEET NO. OF SHEETS STA. TO STA.			FED. ROAD DIST. NO.	ILLINOIS FED. AID PROJECT			