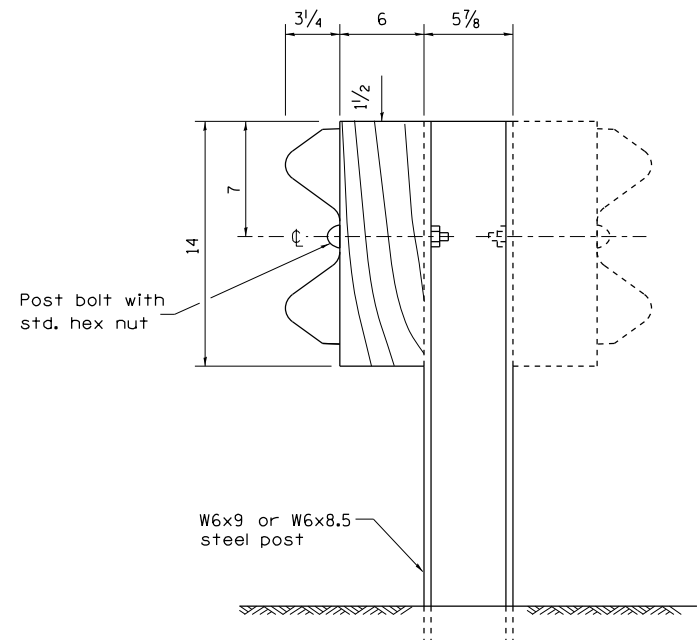
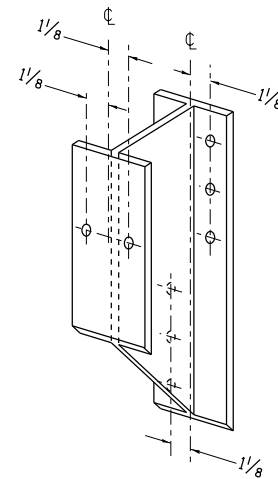


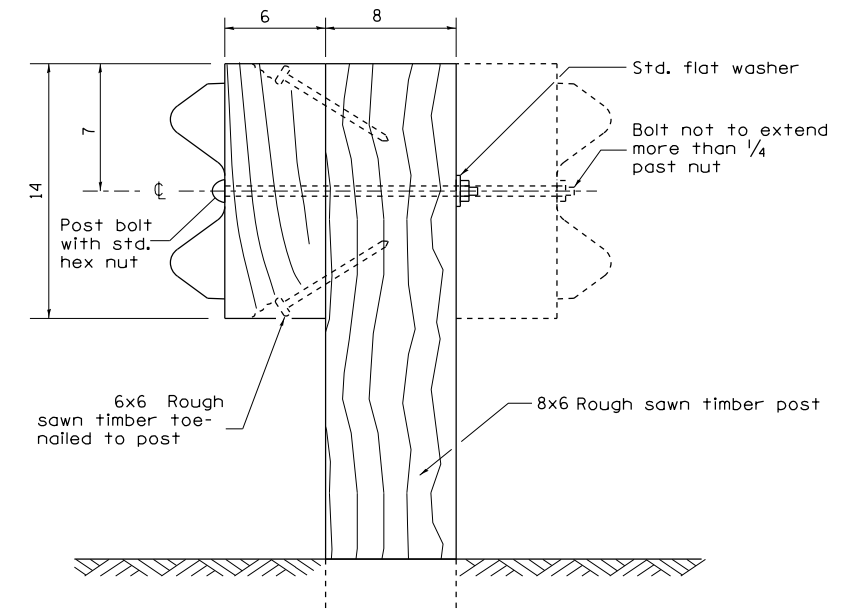
REMOVE AND REERECT STEEL PLATE BEAM GUARDRAIL



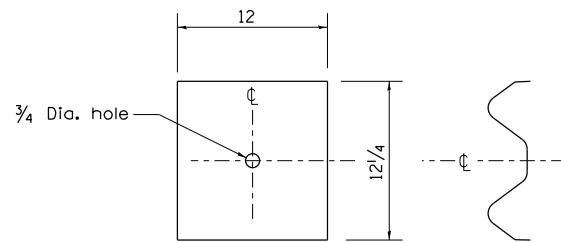
STEEL POST CONSTRUCTION



STEEL BLOCK-OUT DETAIL



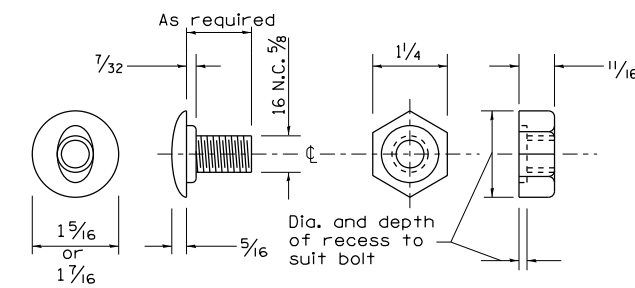
WOOD POST CONSTRUCTION



NOTE

Plate A shall be placed between rail element and block-out at non-splice mounting points only when steel block-outs are used.

PLATE A



POST OR SPLICE BOLT & NUT

FILE NAME =	USER NAME = diaza	DESIGNED -	REVISED - 10-18-11
0:\Projects\Rock_Island\64065.1-88_Cold Milling, pavement patching & HMA resurfacing	DRAWN to the Whiteside Co. Line\Mari's	CHECKED -	REVISED -
PLOT SCALE = 100.0000' / in.	DATE -	DATE -	REVISED -
PLOT DATE = Wed Mar 19 11:25:44 2014			

STATE OF ILLINOIS
DEPARTMENT OF TRANSPORTATION

REGION 2 / DISTRICT 2 STANDARD

SCALE: SHEET NO. OF SHEETS STA. TO STA.

F.A.I. RTE.	SECTION	COUNTY	TOTAL SHEETS	SHEET NO.
88	(161-1) RS-1	ROCK ISLAND	104	102
FED. ROAD DIST. NO. ILLINOIS FED. AID PROJECT			CONTRACT NO. 64065	