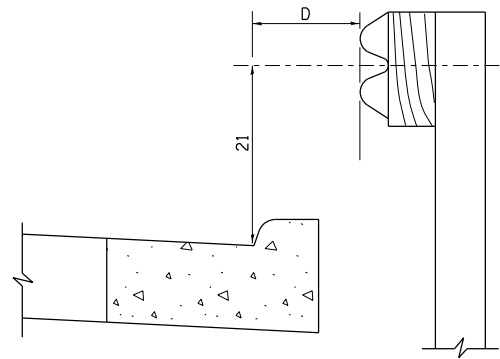
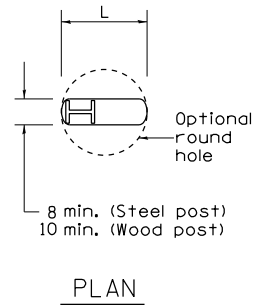


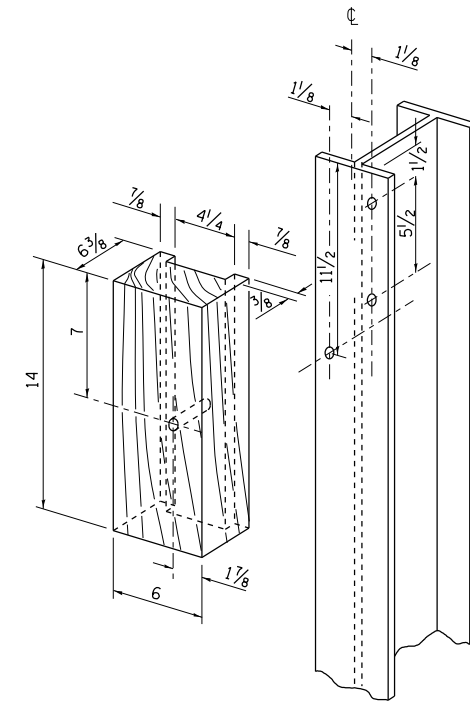
# REMOVE AND REERECT STEEL PLATE BEAM GUARDRAIL



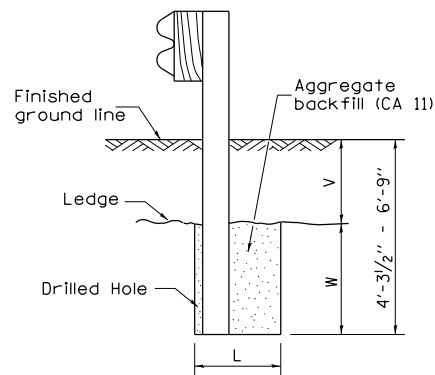
Note:  
If it is necessary for D to be more than 12 and less than 10'-0" type M-2 curb and gutter (Std. 606001) shall be used in front of and in advance of the guardrail.

GUARDRAIL PLACED BEHIND CURB

(D = 0 desirable to 12 maximum)



WOOD BLOCK-OUT AND STEEL POST DETAILS

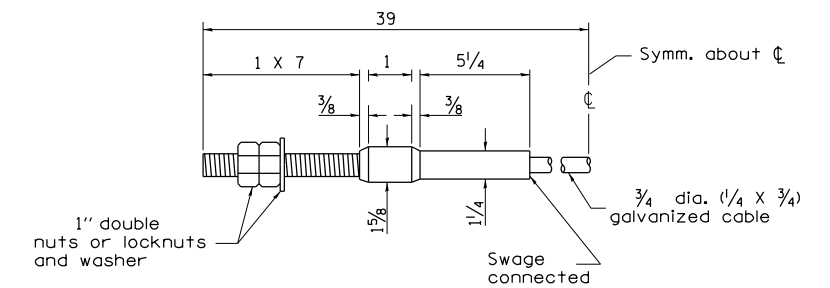


Note:  
Ledge line is top of rock ledge or hard slag fill.

ELEVATION

FOOTING FOR POST WHEN IMPERVIOUS MATERIAL IS ENCOUNTERED

V	W	L	
		Steel Post	Wood Post
0 - 18	24	21	23
>18 - 41.5	12	8	10
>41.5 - 53.5	12 - 0	8	10



CABLE ASSEMBLY  
(40,000 lbs. min. breaking strength)  
Tighten to taut tension.

FILE NAME =	USER NAME = diaza	DESIGNED -	REVISED - 10-18-11
D:\Projects\Rock_Island\64065.1-88_Cold Milling, pavement patching & HMA resurfacing	DRAWN to the Whiteside Co. Line\Mari's	CHECKED -	REVISED -
PLOT SCALE = 100.0000' / in.	DATE -	REVISOR -	REVISED -
PLOT DATE = Wed Mar 19 11:26:14 2014	DATE -	REVISOR -	REVISED -

STATE OF ILLINOIS  
DEPARTMENT OF TRANSPORTATION

REGION 2 / DISTRICT 2 STANDARD

SCALE: SHEET NO. OF SHEETS STA. TO STA.

F.A.I. RTE.	SECTION	COUNTY	TOTAL SHEETS	SHEET NO.
88	(161-1) RS-1	ROCK ISLAND	104	104
FED. ROAD DIST. NO. ILLINOIS FED. AID PROJECT			CONTRACT NO. 64065	