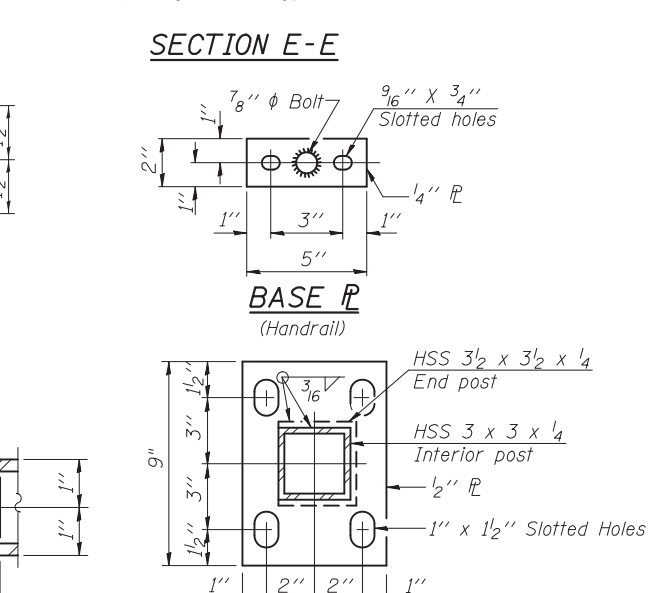
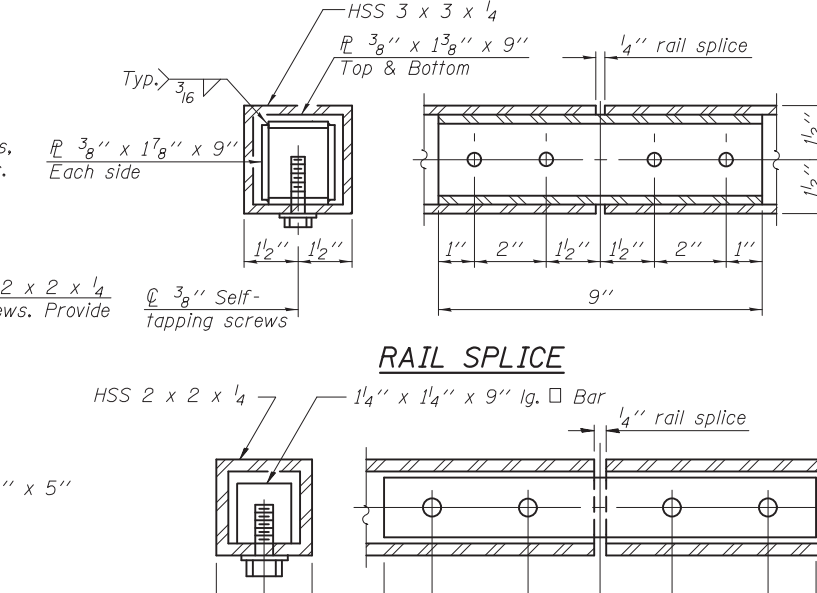
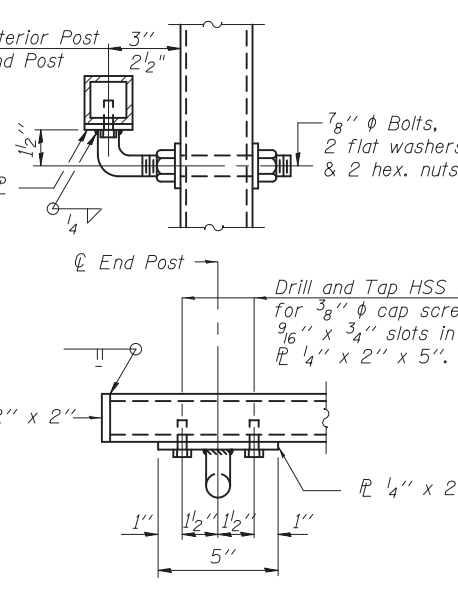
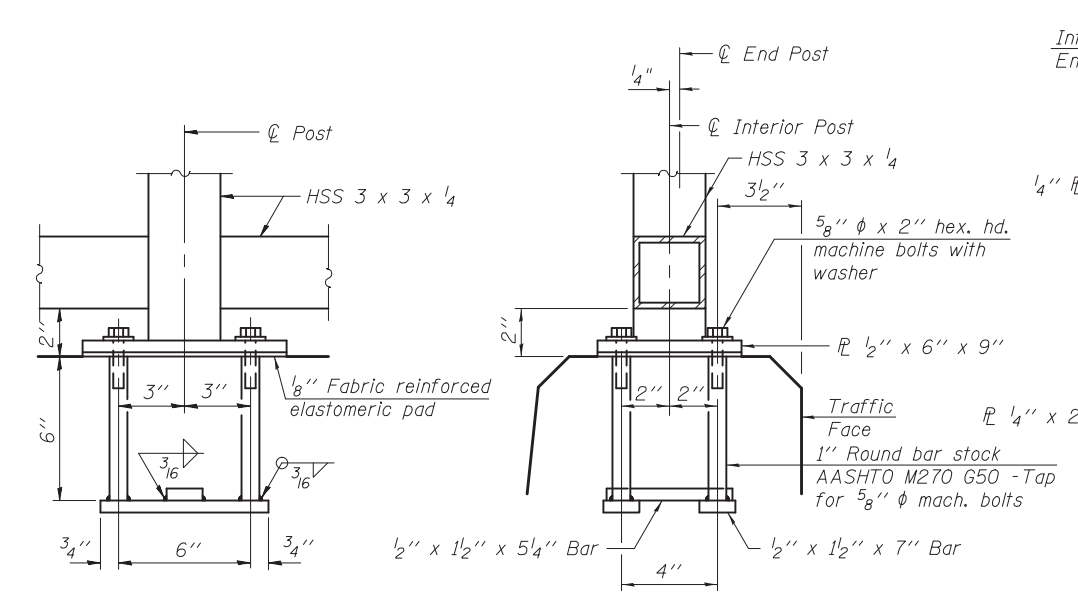
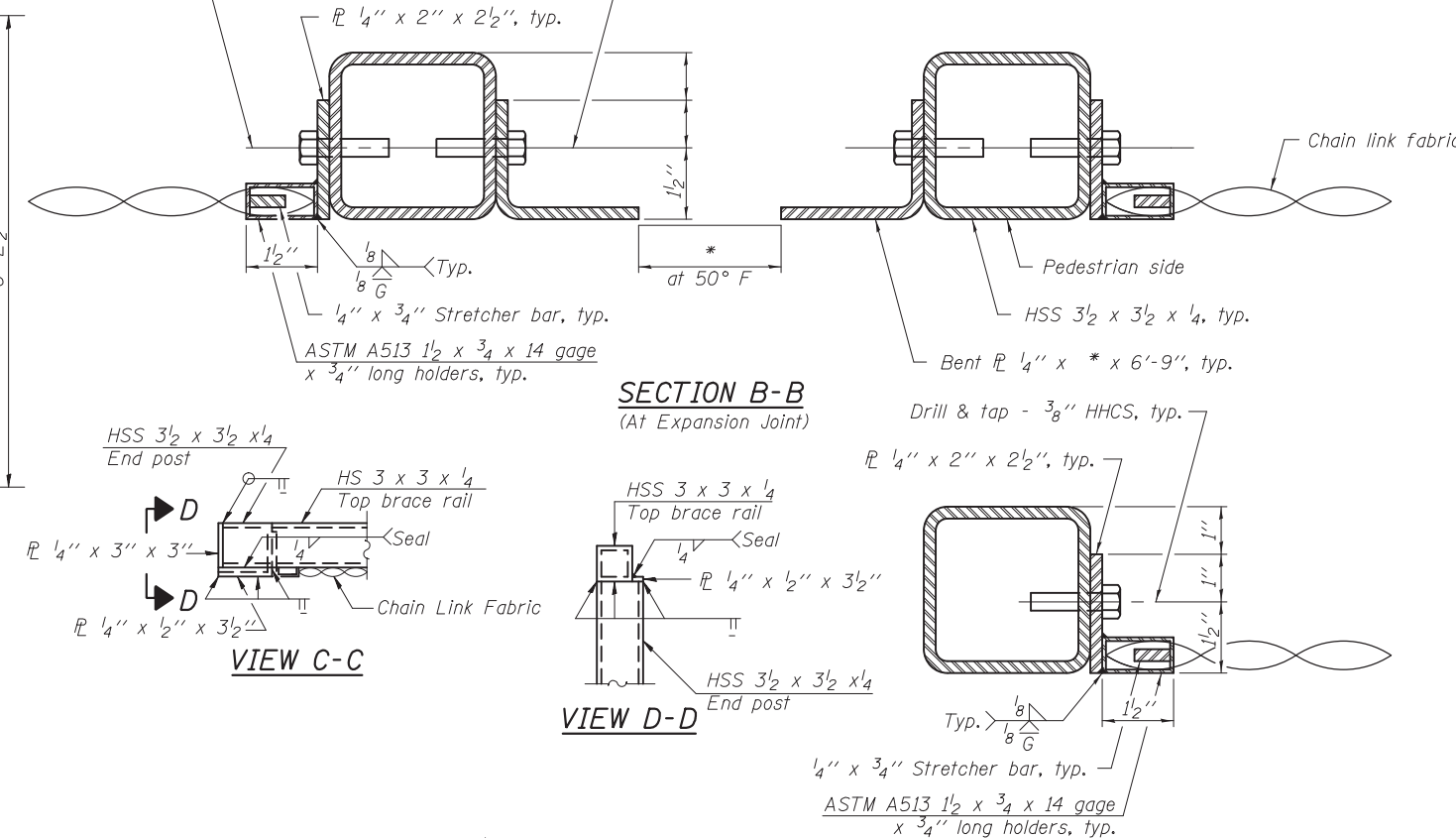


The designer should add the appropriate note as applicable.
 A. When railing is galvanized:
 All steel rail elements shall be galvanized according to Article 509.05 of the Standard Specifications.
 B. When railing is painted:
 All post, railing, splices, anchor devices, and plates shall be painted using the (List the appropriate paint system for Structural Steel).
 Only one of the above notes would appear on Contract Plans.



ANCHOR BOLT DETAILS
 In lieu of the cast-in-place anchor device shown, the Contractor has the option of drilling and setting 5/8" anchor rods according to Article 509.06 of the Standard Specifications. Embedment shall be according to the manufacturer's specifications.

R-32
 7-1-10
 *Variable - See Plans (10'-0" Maximum Post Spacing)

FILE NAME =	USER NAME =	DESIGNED -	REVISED -
		CHECKED -	REVISED -
		DRAWN -	REVISED -
		CHECKED -	REVISED -

STATE OF ILLINOIS
DEPARTMENT OF TRANSPORTATION

BRIDGE FENCE RAILING, PARAPET MOUNTED
STRUCTURE NO. 089-0043

F.A.P. R.T.E.	SECTION	COUNTY	TOTAL SHEETS	SHEET NO.
316	D2 BRIDGE REPAIR 2014-3	STEPHENSON	5	3
CONTRACT NO. 64J46			ILLINOIS FED. AID PROJECT	