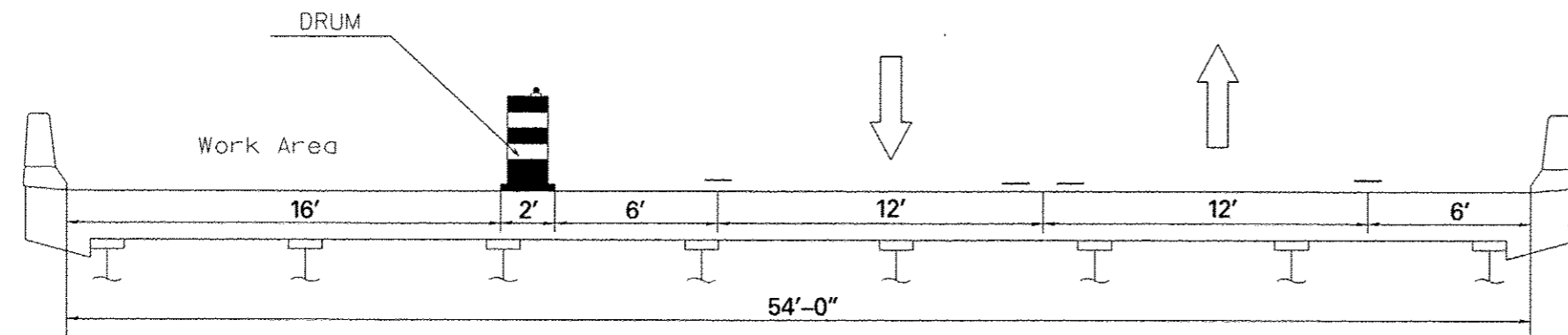
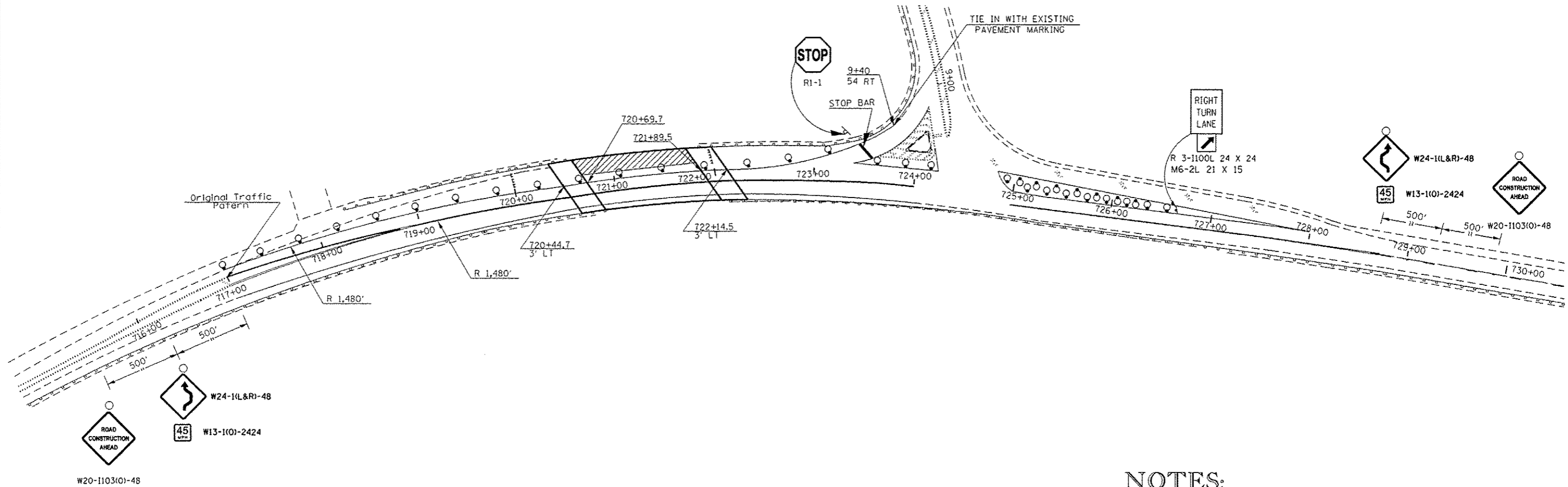


STAGE 1



STAGE 1 CROSS-SECTION

NOTES:

Type III barricade to be placed when no work is being performed.
Remove conflicting pavement marking

LEGEND:

- Drum with steady burning bi-directional light to be spaced at 40 ft
- Sign with flashing light
- Work area
- Sign
- Type III barricade

	DESIGNED -	REVISED -	STATE OF ILLINOIS DEPARTMENT OF TRANSPORTATION	TRAFFIC CONTROL STAGE 1 Bridge No. 2 SN: 071-0025	F.A.P. RTE.	SECTION	COUNTY	TOTAL SHEETS	SHEET NO.
	DRAWN -	REVISED -			IL 2 D2 BRIDGE PAINTING 2014-1	LEE / OGLE	25	6	
	CHECKED -	REVISED -			CONTRACT NO. 64J52				
	DATE -	REVISED -			ILLINOIS				