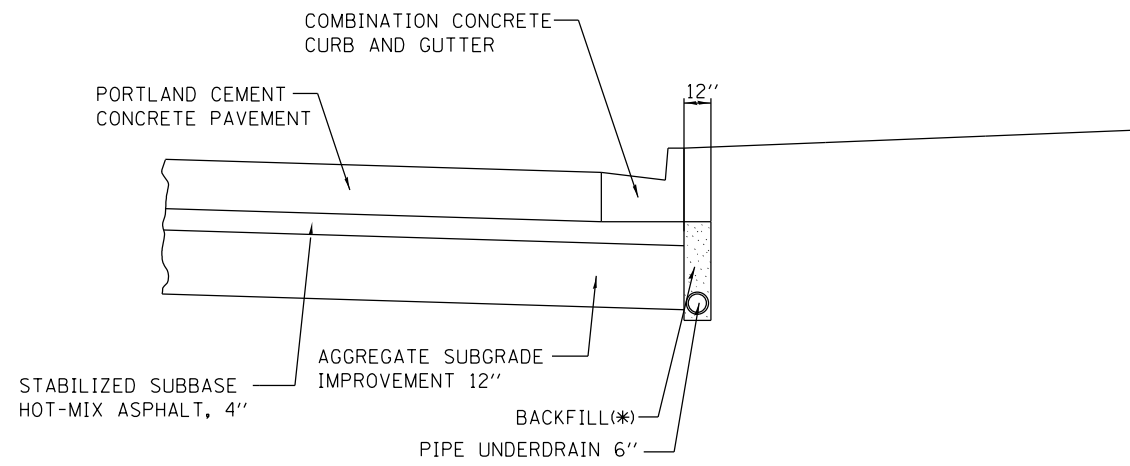


PLAN



SECTION A-A

(*) Backfill for pipe underdrains shall be incidental to PIPE UNDERDRAINS 6"



LAYOUT	SPC	2/14/2013
DRAWN	SPC	2/14/13
REVIEWED	JJW	2/26/2014

FILE NAME =	D2PACKE-HP5-sht-details017L.dgn	USER NAME =	petke00954	DESIGNED -	SPG	REVISED -	
		DRAWN -	SPG	REVISIONS		REVISIONS	
		CHECKED -	JJW	DATE	3/7/2014	DATE	
		PLOT DATE =	03/24/2014				

**STATE OF ILLINOIS
DEPARTMENT OF TRANSPORTATION**

**DRAINAGE DETAILS
PIPE UNDERDRAINS**

SCALE: SHEET NO. OF SHEETS STA. TO STA.

F.A.U. RTE.	SECTION	COUNTY	TOTAL SHEETS	SHEET NO.
5756	(81-1)M	ROCK ISLAND	217	69
CONTRACT NO.			64J68	
ILLINOIS FED. AID PROJECT				

DRU-06