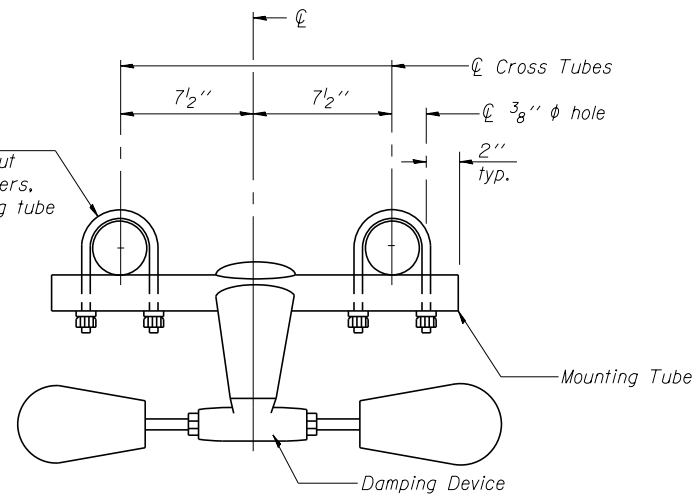
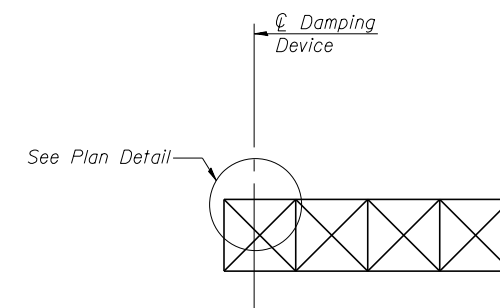


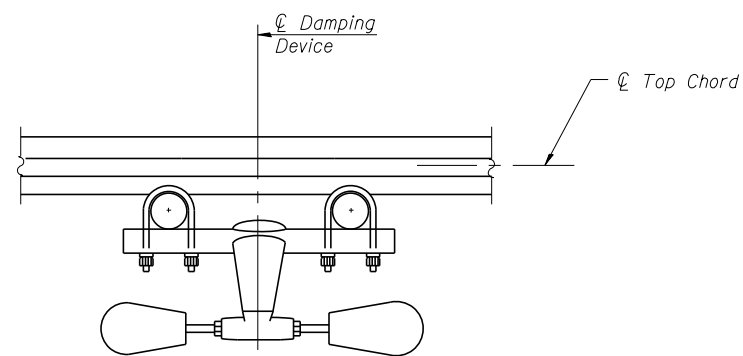
PLAN DETAIL



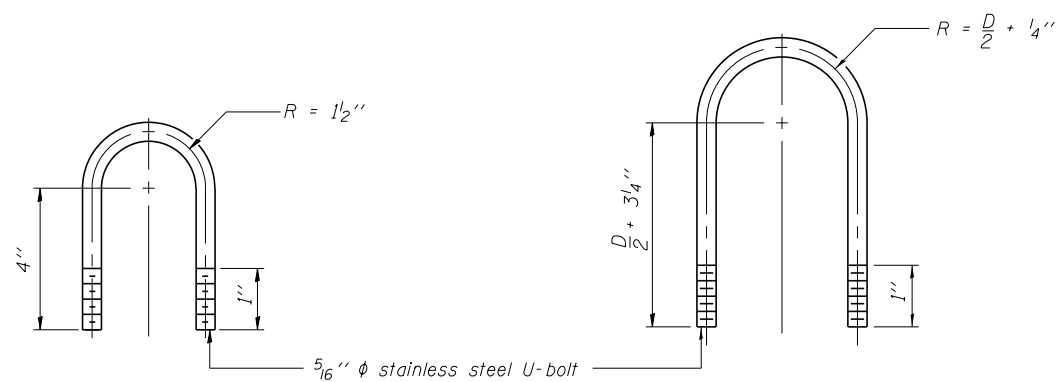
TRUSS DAMPING DEVICE CONNECTION DETAIL



ELEVATION
Aluminum Cantilever Sign Structure



SECTION A-A



DAMPING DEVICE MOUNTING TUBE U-BOLT DETAIL
(Typical)

TOP CHORD TO CROSS TUBE U-BOLT DETAIL
(Typical)

GENERAL NOTES

- Damper: One damper per truss. (31 lbs. Stockbridge-Type Aluminum-29" minimum between ends of weights)
- Materials: Aluminum tubes shall be ASTM B221 alloy 6061 temper T6



Alfred Benesch & Company
205 North Michigan Avenue, Suite 2400
Chicago, Illinois 60601
312-565-0450 Job No. 10064.02

OSC-A-D

6-1-12

FILE NAME = ArtCantDMS-TBD-100-ArtCantDMSuppl01.dgn	USER NAME = knous	DESIGNED - MFB/MFH	REVISD -
MODEL = E 03 OSC-A-D Cantilever Sign Structures	PLOT SCALE =	CHECKED - KJN	REVISD -
	PLOT DATE = 3/6/2014	DRAWN - MFB	REVISD -
		CHECKED - KJN	REVISD -

STATE OF ILLINOIS
DEPARTMENT OF TRANSPORTATION

ITS ARTERIAL DMS POLE
CANTILEVER SIGN STRUCTURE
DAMPING DEVICE

SHEET NO. 3 OF 11 SHEETS

F.A.U. RTE.	SECTION	COUNTY	TOTAL SHEETS	SHEET NO.
5756	(81-1M)	ROCK ISLAND	217	140
CONTRACT NO. 64J68			ITS-14	

ILLINOIS FED. AID PROJECT