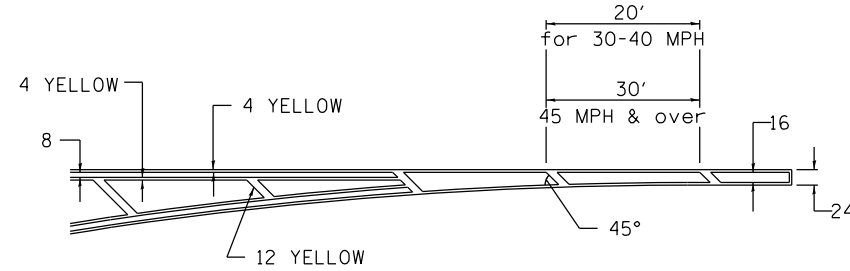
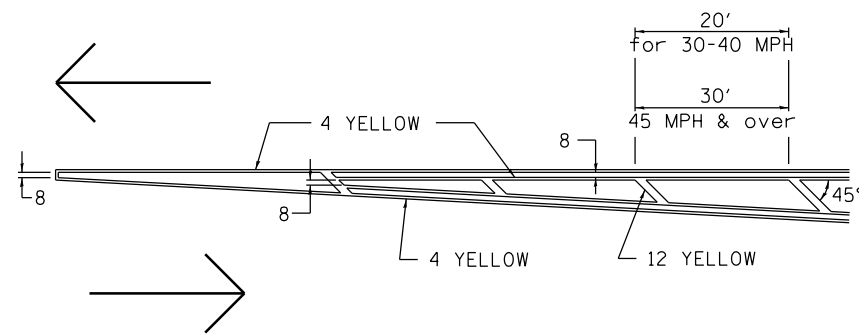
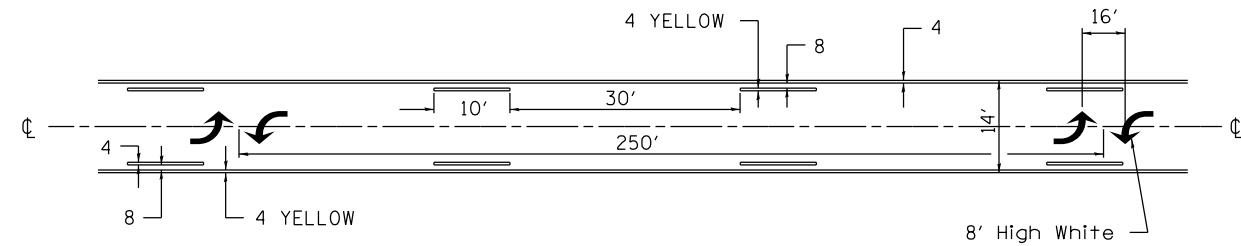


TYPICAL PAVEMENT MARKINGS

TYPICAL PAVEMENT MARKING FOR FLUSH MEDIAN AT LEFT TURN LANE

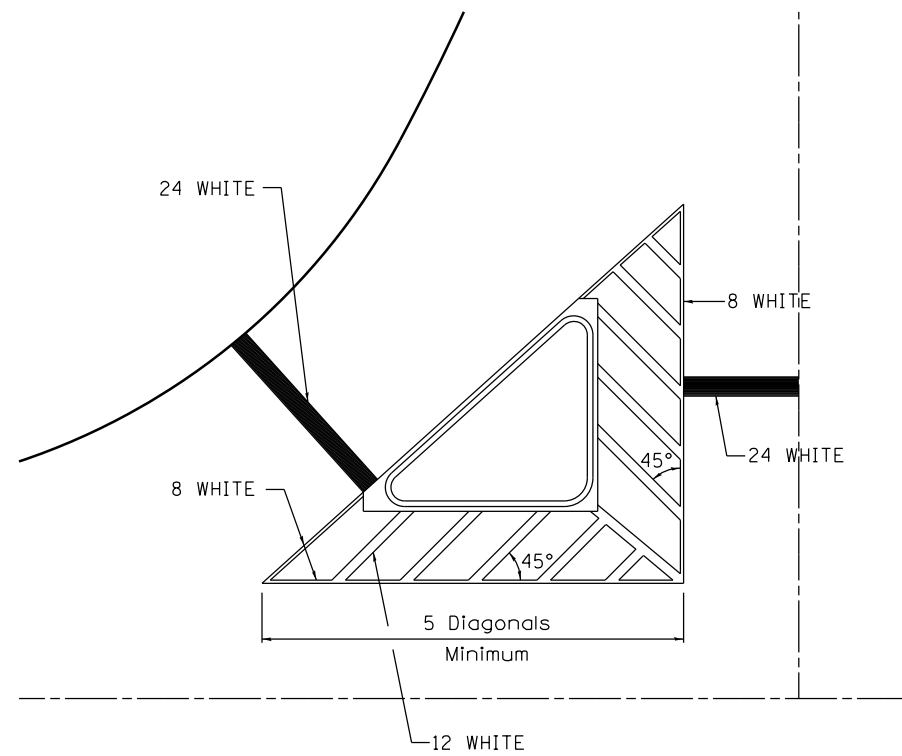


MEDIAN PAVEMENT MARKING

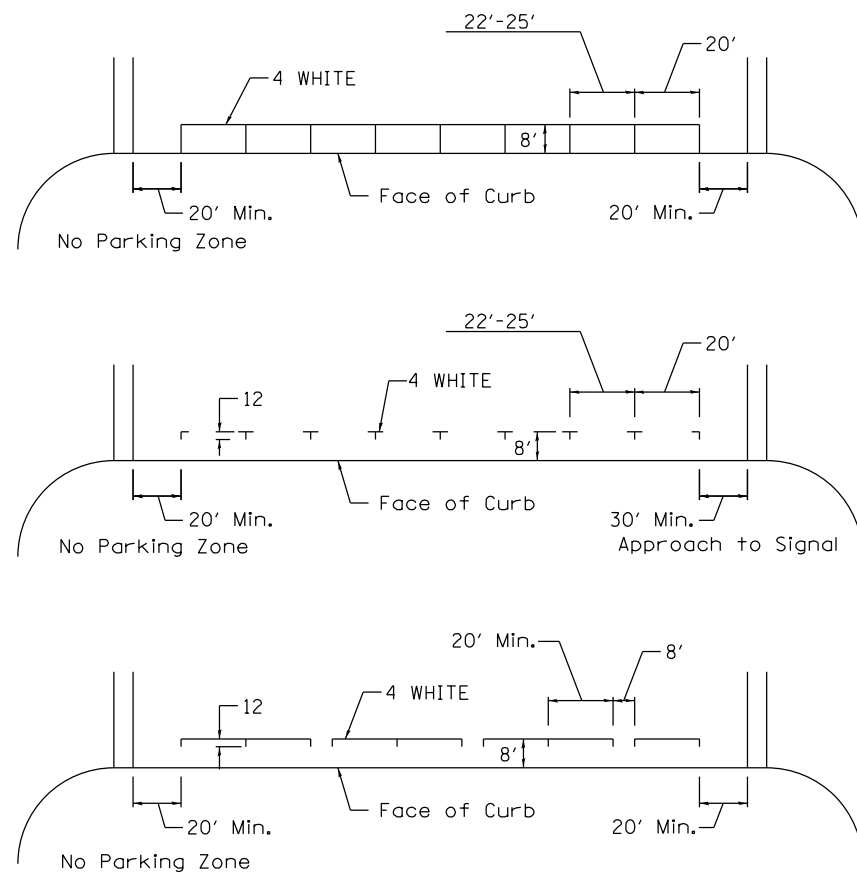


•• ALL DIMENSIONS ARE IN INCHES UNLESS OTHERWISE NOTED.

TYPICAL ISLAND OFFSET SHOULDER WIDTH

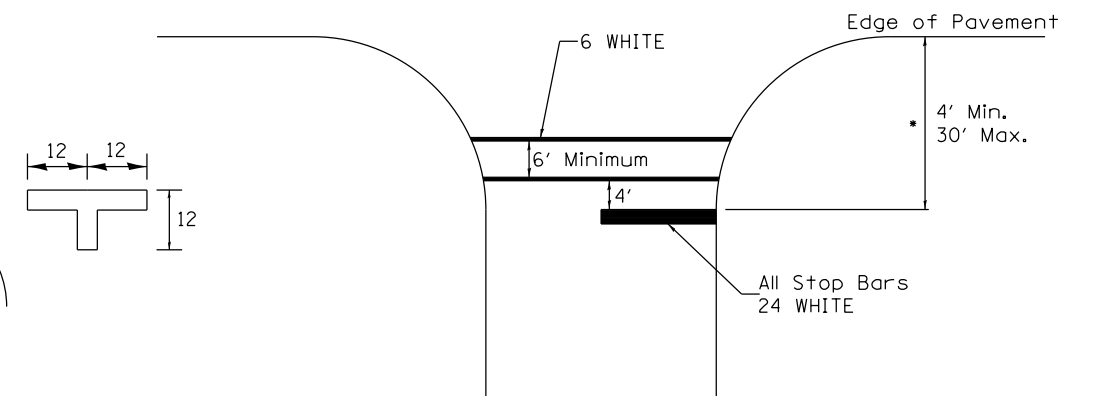


TYPICAL PARKING SPACING



STANDARD CROSSWALK MARKING

See Schedules for Locations



• Distance to the nearest edge of the intersecting roadway in the absence of a marked crosswalk.

2/20/2013
CBP
AAP

FILE NAME =	USER NAME = pisor01256	DESIGNED -	REVISED - 3-05-12
D2PACKE-HP5-sht-details030L.dgn		DRAWN -	REVISED -
		CHECKED -	REVISED -
		DATE - 3/7/2014	REVISED -

STATE OF ILLINOIS
DEPARTMENT OF TRANSPORTATION

REGION 2 / DISTRICT 2 STANDARD

SCALE: SHEET NO. OF SHEETS STA. TO STA.

F.A.U. RTE.	SECTION	COUNTY	TOTAL SHEETS	SHEET NO.
5756	(81-11M)	ROCK ISLAND	217	155
FED. ROAD DIST. NO. ILLINOIS FED. AID PROJECT			CONTRACT NO. 64J68	