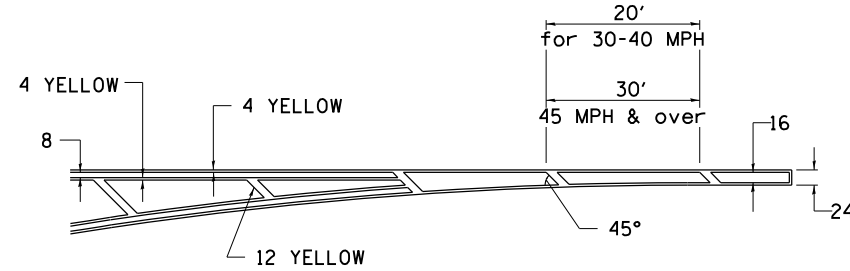
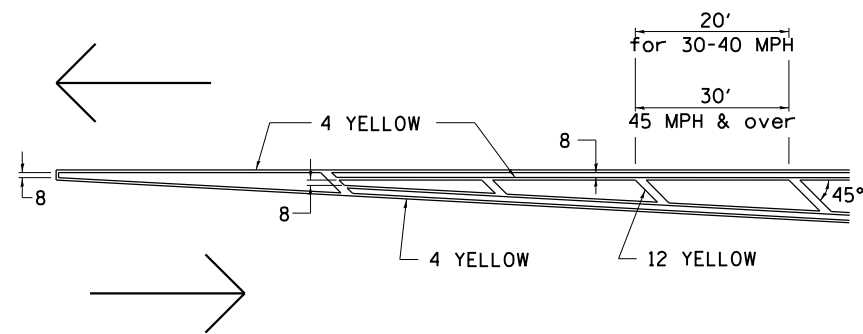
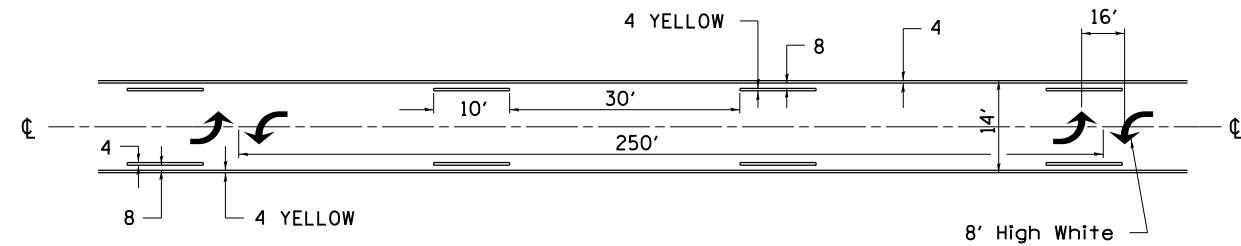


TYPICAL PAVEMENT MARKINGS

TYPICAL PAVEMENT MARKING FOR FLUSH MEDIAN AT LEFT TURN LANE

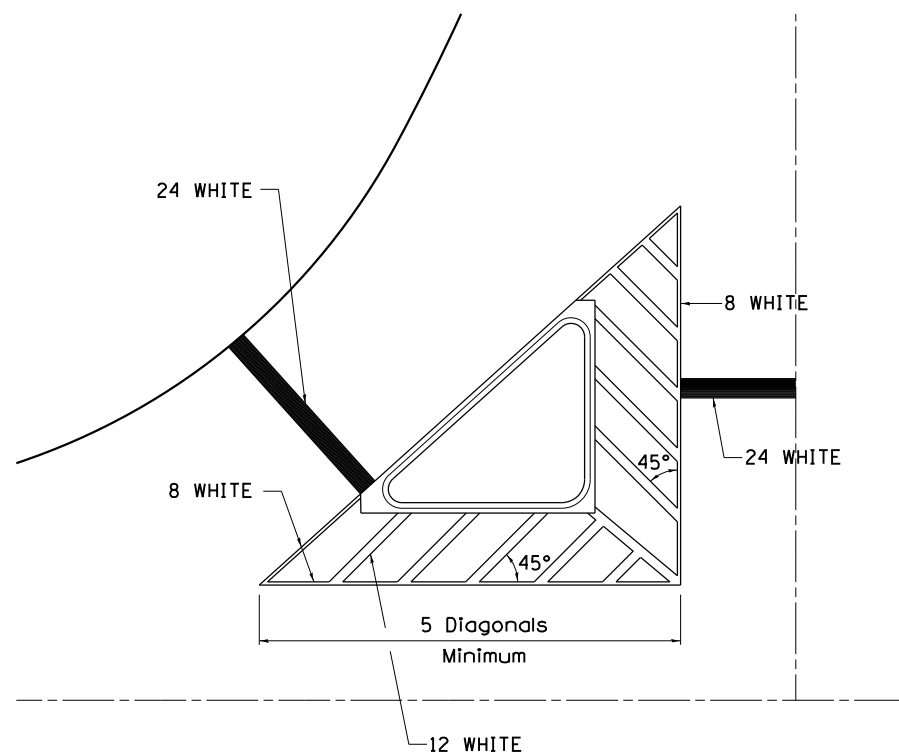


MEDIAN PAVEMENT MARKING

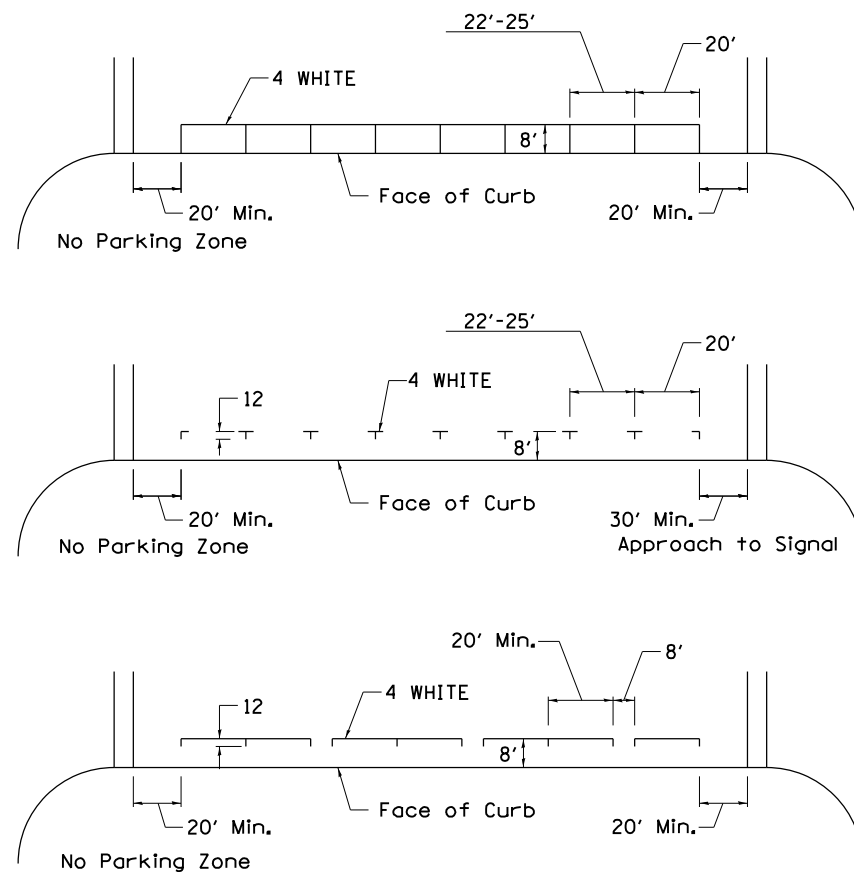


•• ALL DIMENSIONS ARE IN INCHES UNLESS OTHERWISE NOTED.

TYPICAL ISLAND OFFSET SHOULDER WIDTH

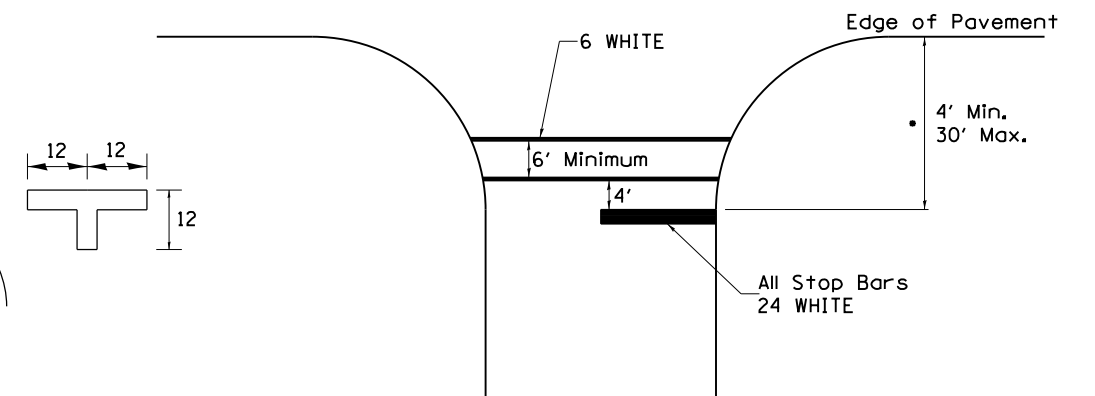


TYPICAL PARKING SPACING



STANDARD CROSSWALK MARKING

See Schedules for Locations



• Distance to the nearest edge of the intersecting roadway in the absence of a marked crosswalk.

FILE NAME =	USER NAME = dosddd	DESIGNED -	REVISED - 3-05-12	STATE OF ILLINOIS DEPARTMENT OF TRANSPORTATION	REGION 2 / DISTRICT 2 STANDARD		F.A.I. RTE.	SECTION	COUNTY	TOTAL SHEETS	SHEET NO.
D:\BR\Loss\Lee\64K11 Cleaning & Painting	SN 052-0046, 052-0047, 052-0048, 052-0049	DRAWN	REVISED -		39	D2 BRIDGE PAINTING 2014-4	LEE	32	13		
	PLOT SCALE = 100.0000' / in.	CHECKED -	REVISED -		CONTRACT NO. 64K11						
	PLOT DATE = Mon Mar 17 11:50:15 2014	DATE -	REVISED -		FED. ROAD DIST. NO. - ILLINOIS FED. AID PROJECT						