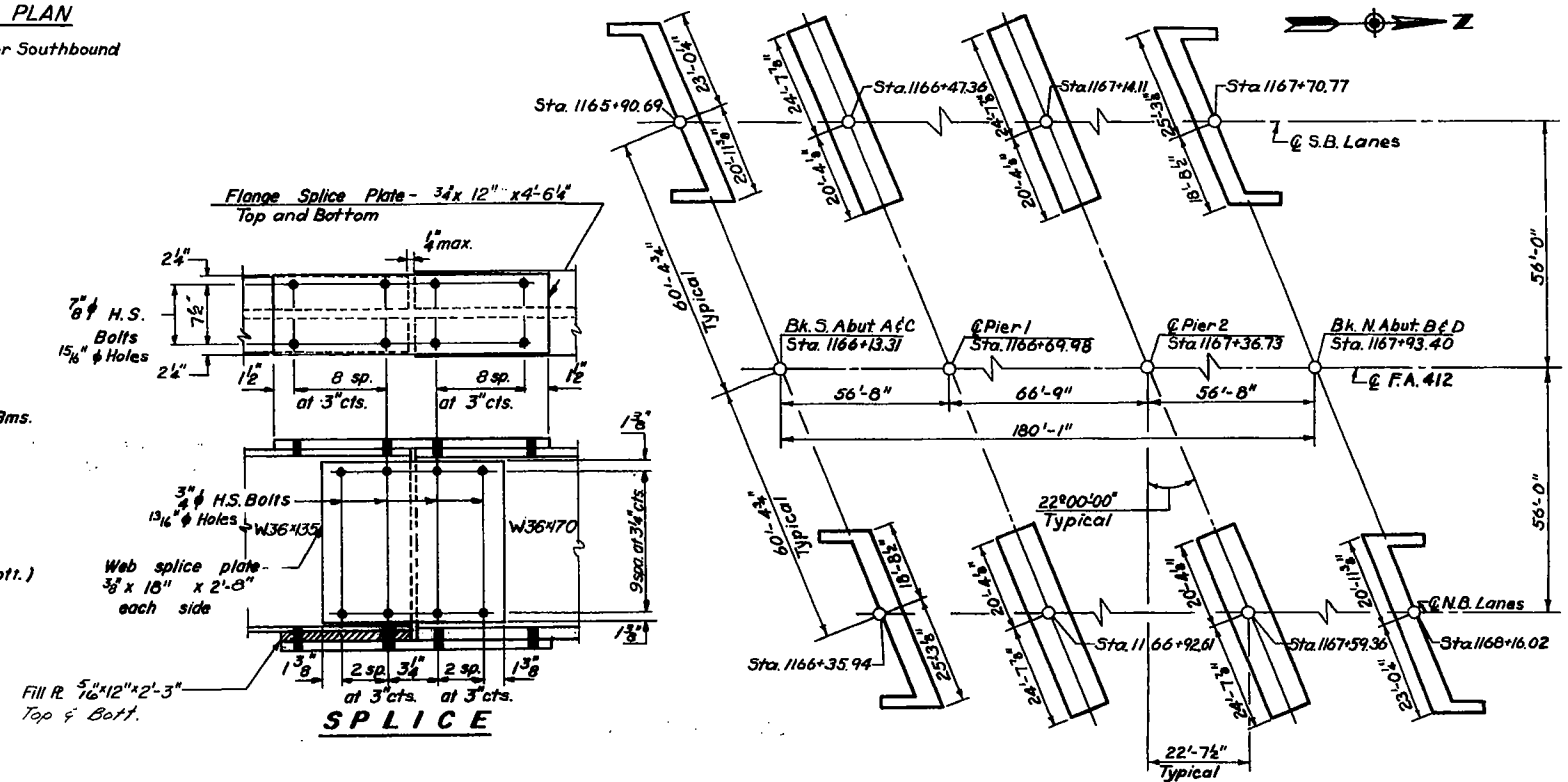
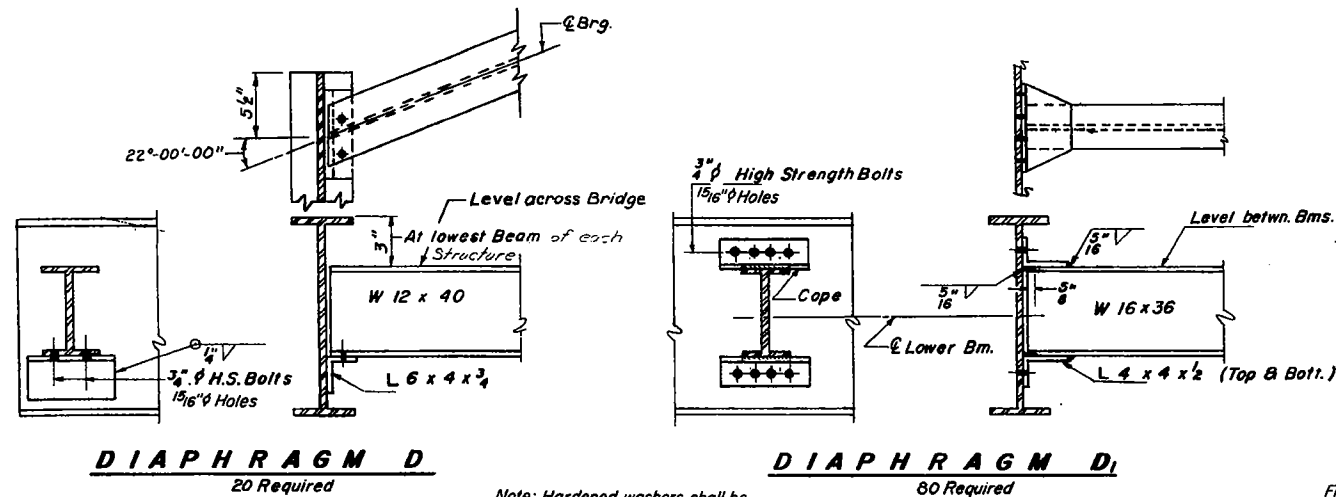
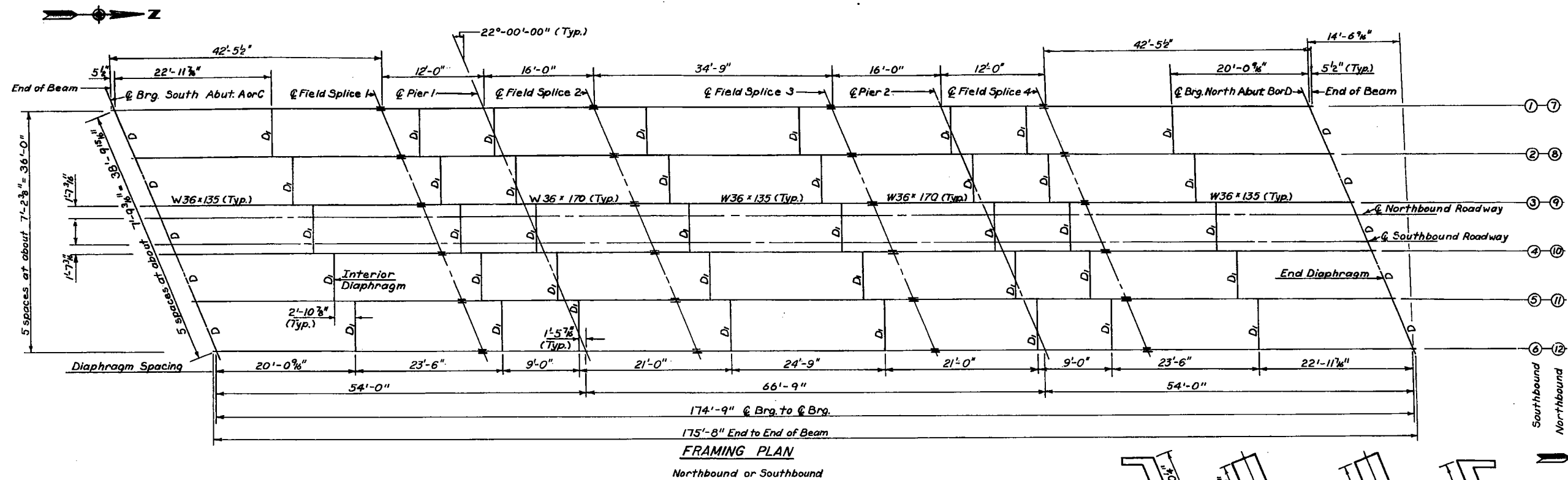


STATE OF ILLINOIS  
DEPARTMENT OF TRANSPORTATION

ROUTE NO.	SECTION	COUNTY	TOTAL SHEETS	SHEET NO.	SHEET NO. 8 of 17 SHEETS
FA. 412	103 - 2B	LEE	203	50	
STA.	TO STA.				
FED. ROAD DIST. NO. 7	ILLINOIS	PROJECT			



DESIGNED	P.C.A.
CHECKED	R.B.D.
DRAWN	W.J.B.
CHECKED	P.C.A.

HOWARD, NEEDLES, TAMMEN & BERGENDOFF HNTB  
CONSULTING ENGINEERS

FOR INFORMATION ONLY

**FRAMING PLAN AND MISCELLANEOUS DETAILS**  
FA. 412 SECTION 103 - 2B  
F.A. 412 OVER RICKELSON CRK.  
LEE COUNTY  
STATION 1167+00.00  
STATE OF ILLINOIS  
DEPARTMENT OF TRANSPORTATION