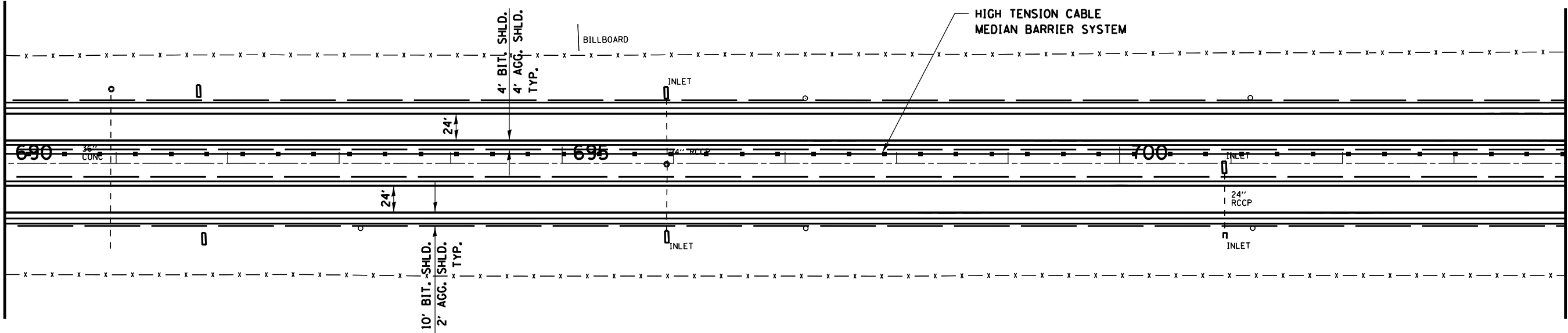


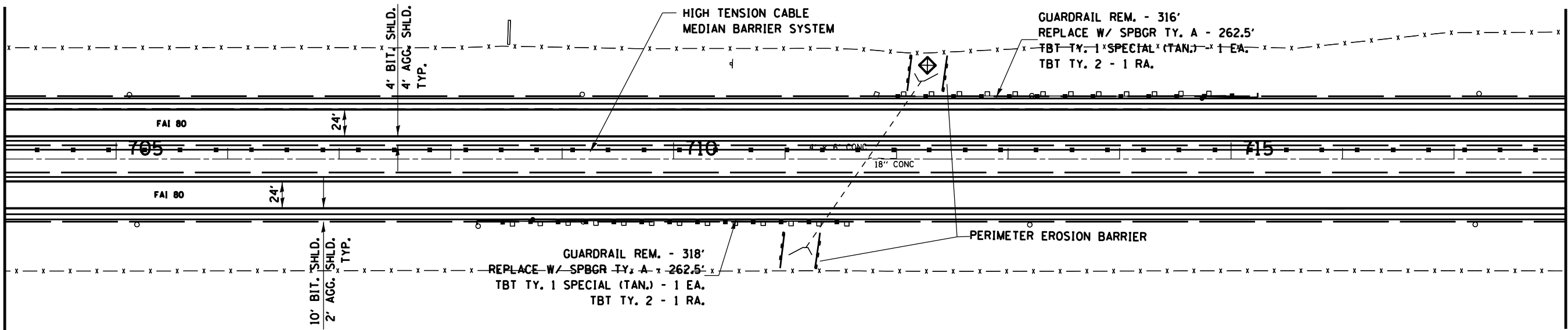
MATCH LINE - STA. 690+00



MATCH LINE - STA. 704+00



MATCH LINE - STA. 704+00



MATCH LINE - STA. 718+00



FILE NAME = *FILEL*	USER NAME = *USER*	DESIGNED -	REVISED -	STATE OF ILLINOIS DEPARTMENT OF TRANSPORTATION	PLAN SHEET			F.A.I. RTE.	SECTION	COUNTY	TOTAL SHEETS	SHEET NO.	
	PLOT SCALE = *SCALE*	DRAWN -	REVISED -		SCALE:	SHEET NO.	OF	SHEETS	80	(50-4,5)RS-4	LASALLE	54	23
	PLOT DATE = *DATE*	CHECKED -	REVISED -		STA. 690+00	TO	STA. 718+00	CONTRACT NO. 66A35					
		DATE -	REVISED -		ILLINOIS FED. AID PROJECT								