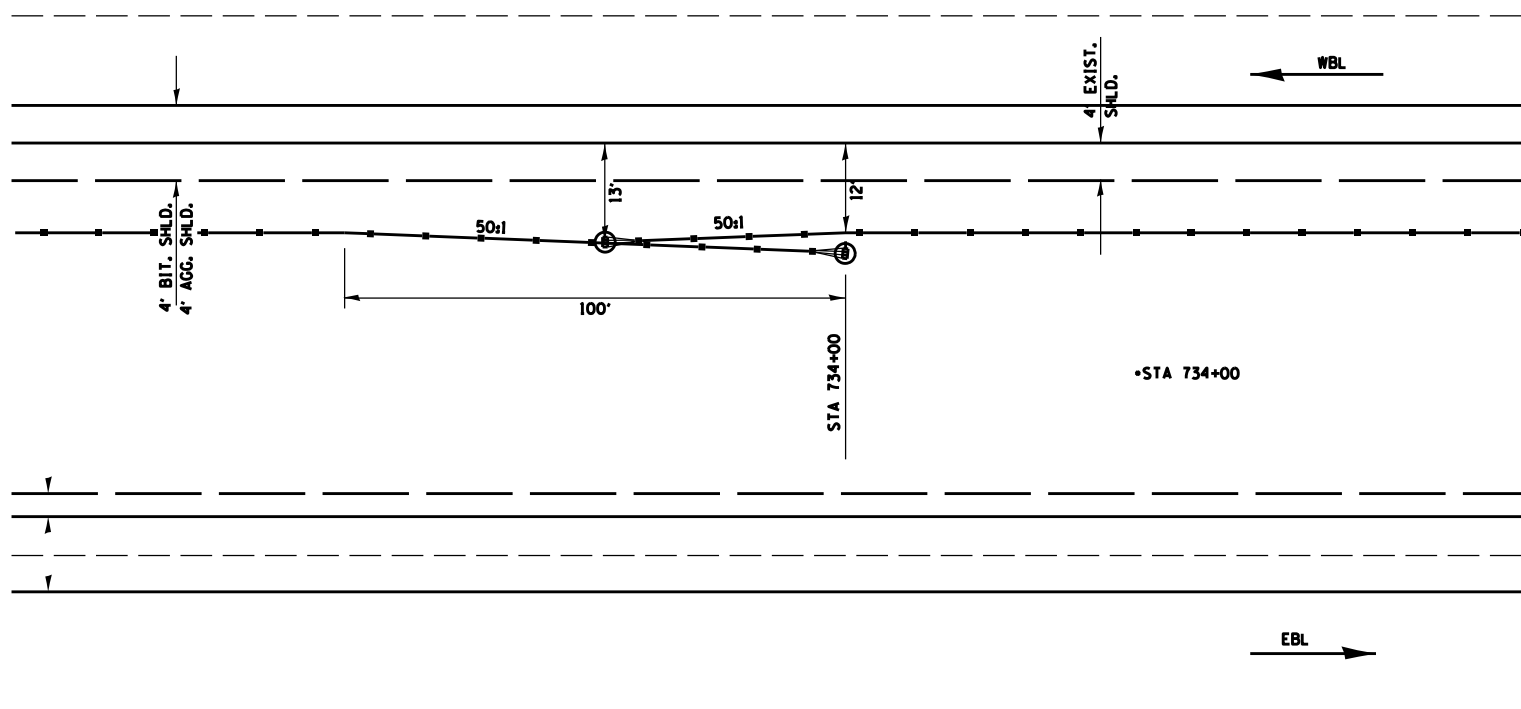
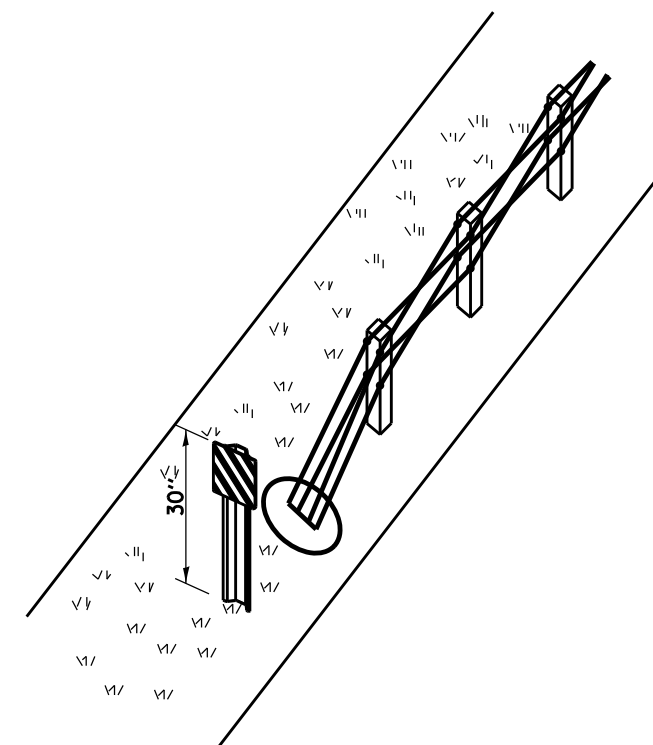


**MAINTENANCE CROSSOVER**

- NOTES:
1. POSTS SHALL BE DRIVEN IN ACCORDANCE WITH MANUFACTURES SPECIFICATIONS.
  2. POST SPACING MAY BE ALTERED TO AVOID DRAINAGE OR OTHER OBSTACLES.



**HIGH TENSION CABLE BARRIER OVERLAP DETAIL**



**HTC MEDIAN BARRIER  
POST MOUNTED TERMINAL MARKER DETAIL**

3 NEEDED  
 ONE AT EAST PROJECT LIMITS  
 ONE AT MAINTENANCE CROSS OVER (WEST SIDE)  
 ONE AT CONCRETE CROSS OVER (WEST SIDE)

NOT TO SCALE

FILE NAME = *FILEL*	USER NAME = *USER*	DESIGNED -	REVISED -	STATE OF ILLINOIS DEPARTMENT OF TRANSPORTATION	DETAILS			F.A.I. RTE. =	SECTION	COUNTY	TOTAL SHEETS	SHEET NO.			
	PLOT SCALE = *SCALE*	DRAWN -	REVISED -		SCALE:	SHEET NO.	OF	SHEETS	STA.	TO STA.	80	150-4,51RS-4	LASALLE	54	40
	PLOT DATE = *DATE*	CHECKED -	REVISED -									CONTRACT NO. 66A35			
		DATE -	REVISED -									ILLINOIS FED. AID PROJECT			