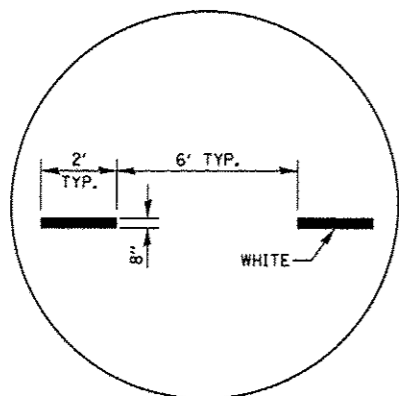
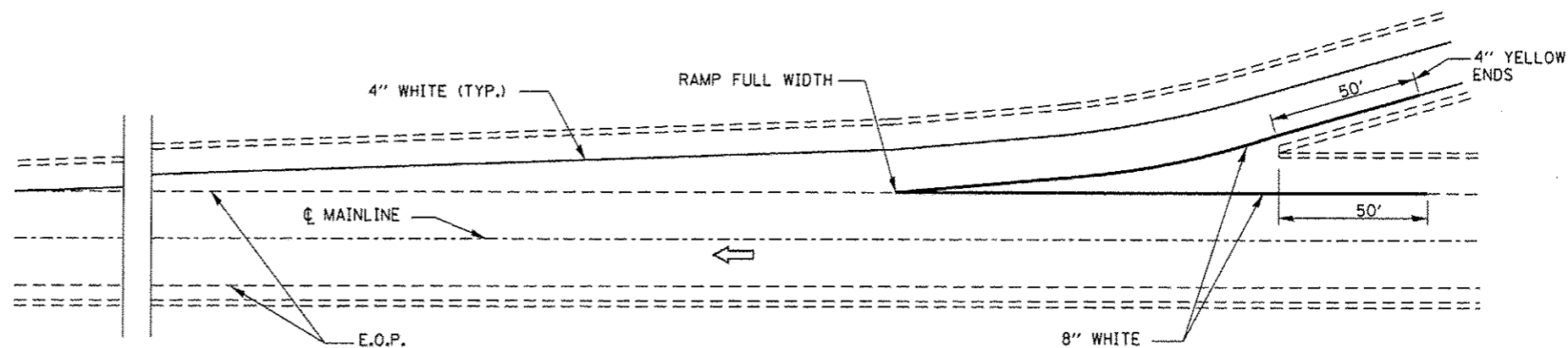


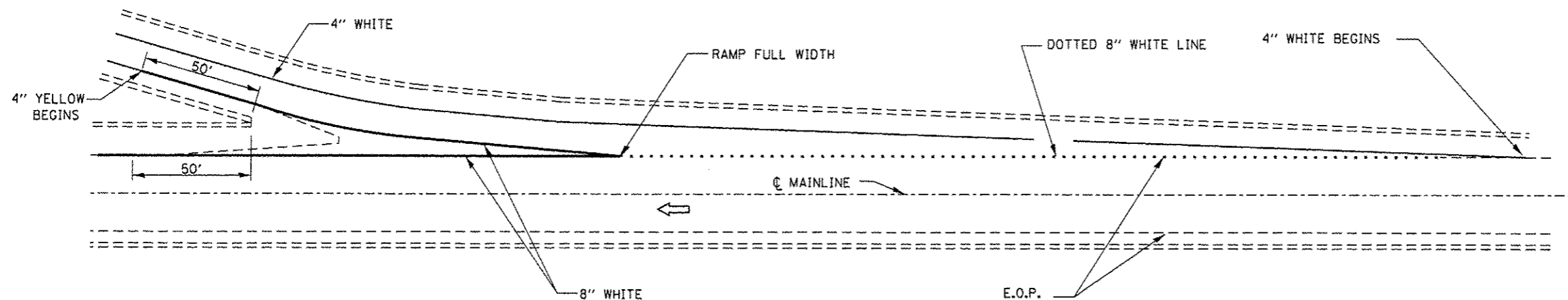
TYPICAL PAVEMENT MARKINGS



INTERSTATE RAMP TRANSITION LINE



TYPICAL PAVEMENT MARKING FOR ENTRANCE RAMP TERMINALS



TYPICAL PAVEMENT MARKINGS FOR EXIT RAMP TERMINALS

FILE NAME :	USER NAME :	DESIGNED -	REVISED -
o:\pwork\p\idat\seantourzjo\0366078-0366078-0366078.dgn	seantourzjo	DRAWN -	REVISED -
		CHECKED -	REVISED -
		DATE -	REVISED -

STATE OF ILLINOIS
DEPARTMENT OF TRANSPORTATION

TYPICAL PAVEMENT MARKINGS

F.A.I. RTE.	SECTION	COUNTY	TOTAL SHEETS	SHEET NO.
55	03 PATCHING 2015-2	LIVINGSTON	15	15
CONTRACT NO. 66078			ILLINOIS FED. AID PROJECT	

SCALE: SHEET 1 OF 1 SHEETS STA. TO STA.