

1. COVER SHEET
2. GENERAL NOTES
3. SUMMARY OF QUANTITIES
4. TYPICAL SECTIONS
5. SCHEDULES
6. DETAILS

STANDARDS

000001-06	STANDARD SYMBOLS, ABBREVIATIONS AND PATTERNS
001006	DECIMAL OF AN INCH AND OF A FOOT
701306-03	LANE CLOSURE, 2L, 2W, SLOW MOVING OPERATIONS DAY ONLY, FOR SPEEDS ≥45 MPH
701901-03	TRAFFIC CONTROL DEVICES
780001-04	TYPICAL PAVEMENT MARKINGS
781001-03	TYPICAL APPLICATIONS RAISED REFLECTIVE PAVEMENT MARKINGS

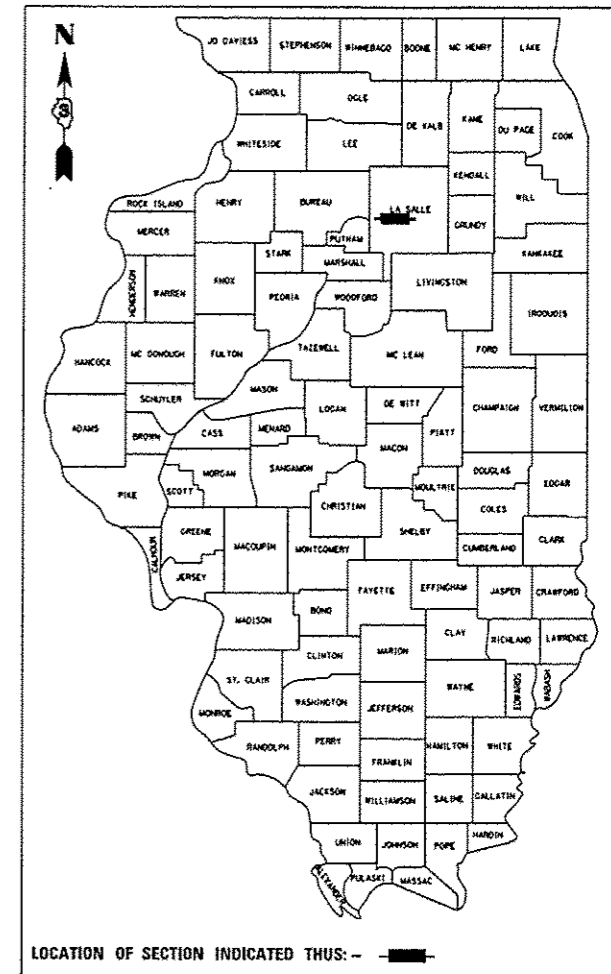
STATE OF ILLINOIS
DEPARTMENT OF TRANSPORTATION
DIVISION OF HIGHWAYS
PROPOSED
HIGHWAY PLANS

FAP ROUTE 627 (IL 71)
SECTION (M,I-1,D)RS-4&I-1
PROJECT ACHSIP-0627(014)
SAFETY IMPROVEMENT
LASALLE COUNTY

C-93-111-14

F.A.P. RTE.	SECTION	COUNTY	TOTAL SHEETS	SHEET NO.
627	(M,I-1,D)RS-4&I-1	BUREAU	6	1
		ILLINOIS	CONTRACT NO. 66082	

D-93-059-14



FUNCTIONAL CLASSIFICATION
RURAL ARTERIAL

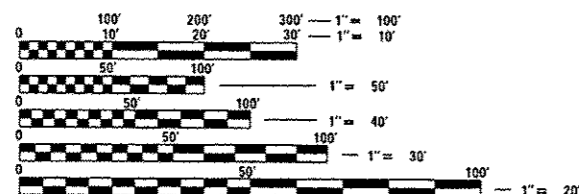
2014 ADT = 1800

P.V. = 97.66% S.U. = 1.67% M.U. = 0.67%

STATE OF ILLINOIS
DEPARTMENT OF TRANSPORTATION
DIVISION OF HIGHWAYS

SUBMITTED 3-28 2014
Paul Laska, P.E.
DEPUTY DIRECTOR OF HIGHWAYS, REGION ENGINEER
May 9 2014
John D. Baranzelli, P.E.
ENGINEER OF DESIGN AND ENVIRONMENT
May 9 2014
Omer Osman, P.E.
DIRECTOR OF HIGHWAYS, CHIEF ENGINEER

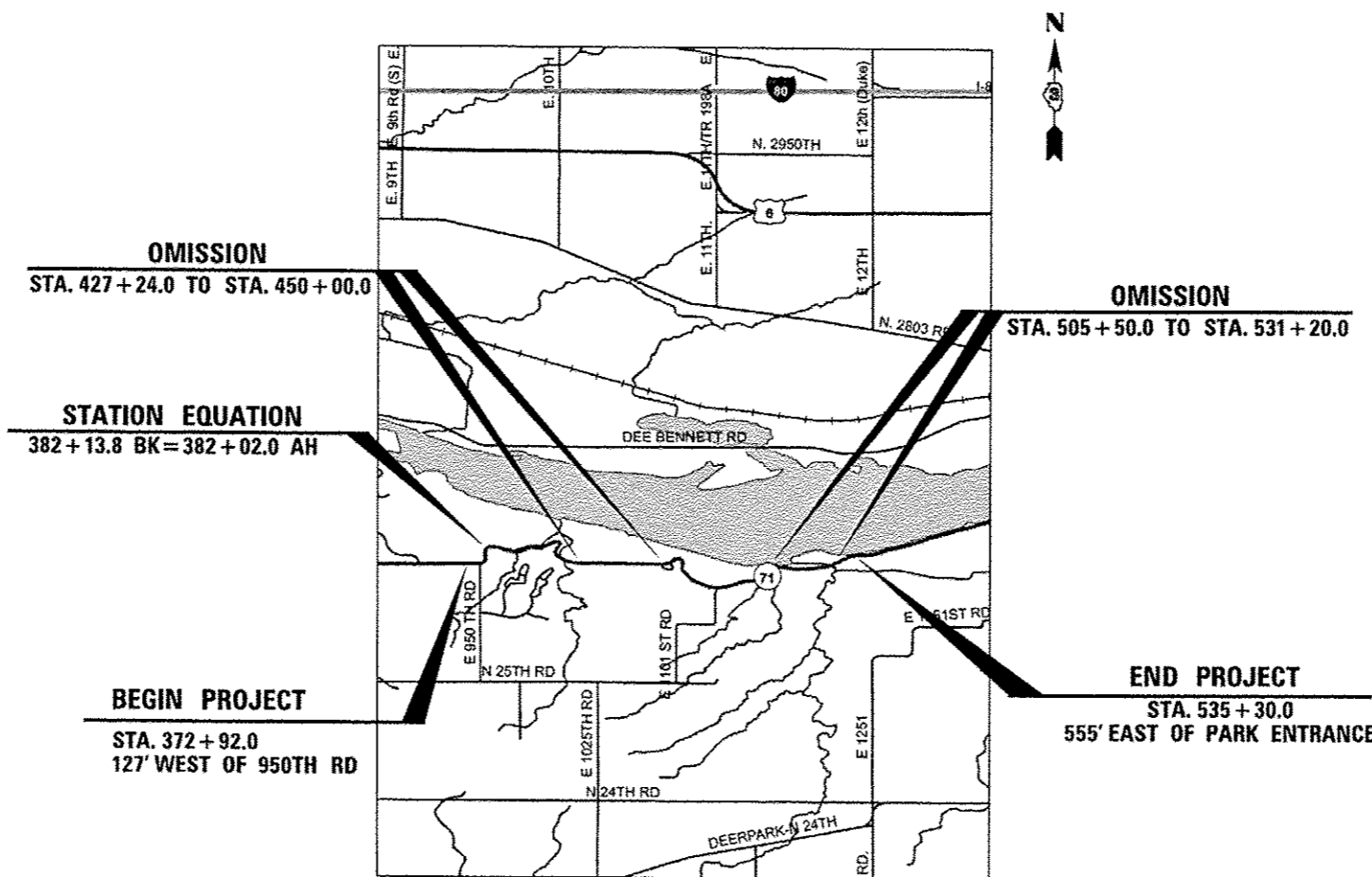
PRINTED BY THE AUTHORITY
OF THE STATE OF ILLINOIS



FULL SIZE PLANS HAVE BEEN PREPARED USING STANDARD ENGINEERING SCALES. REDUCED SIZED PLANS WILL NOT CONFORM TO STANDARD SCALES. IN MAKING MEASUREMENTS ON REDUCED PLANS, THE ABOVE SCALES MAY BE USED.

J.U.L.I.E.
JOINT UTILITY LOCATION INFORMATION FOR EXCAVATION
1-800-892-0123
OR 811

DISTRICT 3 NO. (815) 434-6131
PROJECT ENGINEER: JOE KANNEL, P.E.
UNIT CHIEF: SCOTT A. FERGUSON
CONTRACT NO. 66D82



GROSS LENGTH = 16,249.8 FT. = 3.08 MILES
NET LENGTH = 11,403.8 FT. = 2.16 MILES

GENERAL NOTES

PLAN DIMENSIONS RELATIVE TO THE EXISTING ROADWAY HAVE BEEN TAKEN FROM EXISTING PLANS AND ARE SUBJECT TO NOMINAL CONSTRUCTION VARIATIONS. IT SHALL BE THE CONTRACTOR'S RESPONSIBILITY TO MAKE NECESSARY ADJUSTMENTS PRIOR TO CONSTRUCTION OR ORDERING OF MATERIALS. SUCH VARIATIONS SHALL NOT BE CAUSE FOR ADDITIONAL COMPENSATION FOR A CHANGE IN THE SCOPE OF THE WORK. HOWEVER, THE CONTRACTOR WILL BE PAID FOR THE QUANTITY FURNISHED AT THE UNIT PRICE BID FOR THE WORK.

ANY REFERENCE TO A STANDARD IN THESE PLANS SHALL BE INTERPRETED TO MEAN THE EDITION AS INDICATED BY THE SUBNUMBER SHOWN IN THE LIST OF STANDARDS OR THE COPY INCLUDED IN THESE PLANS.

THE CONTRACTOR SHALL CONTACT JULIE AT LEAST 48 HOURS PRIOR TO EXCAVATION TO DETERMINE WHICH UTILITIES ARE IN THE AREA.

ALL EXCAVATED MATERIAL, WHICH INCLUDES DIGGING OR GRADING OF ANY SOIL OR FILL MATERIAL, WITH THE EXCEPTION OF AGGREGATE FILLS, MUST BE LEFT ON, OR INCORPORATED WITHIN, THE IDOT RIGHT OF WAY DUE TO ENVIRONMENTAL DOCUMENTATION REQUIREMENTS.

EXCAVATED MATERIALS SHALL BE DISPOSED OF AT LOCATIONS DIRECTED BY THE ENGINEER. ANY SUCH DISPOSAL SHALL NOT CREATE AND UNSIGHTLY OR OBJECTIONABLE APPEARANCE OR DETRACT FROM THE NATURAL TOPOGRAPHIC FEATURES WITHOUT WRITTEN PERMISSION FROM THE ENGINEER.

THE FOLLOWING RATES OF APPLICATION HAVE BEEN USED IN CALCULATING PLAN QUANTITIES:

GRANULAR MATERIALS	2.05	TONS / CU YD
MIX FOR CRACKS, JTS, & FLGWYS	0.0003	TONS / SQ YD
SHORT-TERM PAVEMENT MARKING	4	FT / 40 FT OF APPLICATION

DATE: 3-28-14

PREPARED BY: *Tom Brand*
DISTRICT STUDIES & PLANS ENGINEER

EXAMINED BY: *Herbert Jung (wop)*
DISTRICT CONSTRUCTION ENGINEER

Ng P. Phyllis
DISTRICT MATERIALS ENGINEER

Bruce A. Anselm
DISTRICT OPERATIONS ENGINEER

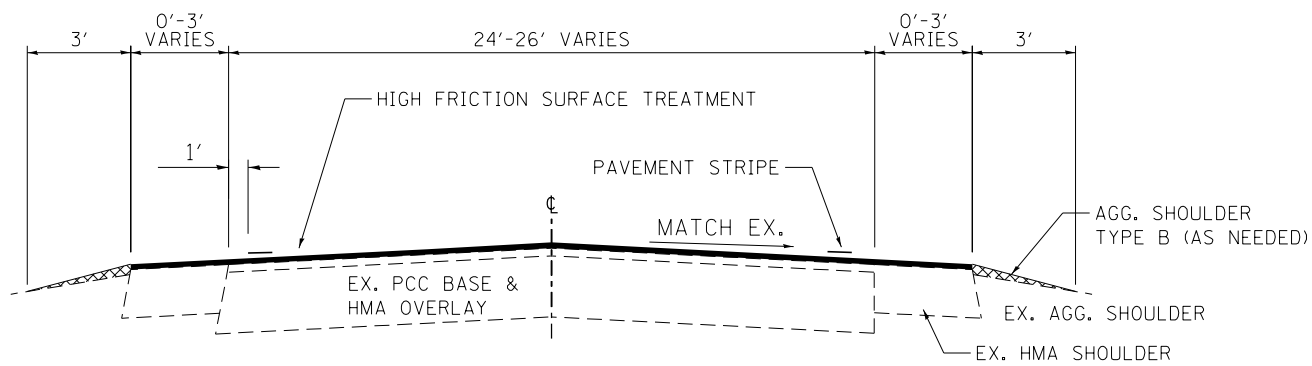
FILE NAME *	USER NAME * smithbd	DESIGNED - _____	REVISED - _____	STATE OF ILLINOIS DEPARTMENT OF TRANSPORTATION	GENERAL NOTES	F.A.P. RTE.	SECTION	COUNTY	TOTAL SHEETS	SHEET NO.
S:\Everyone\Brian Smith\11 71 Starved Road Curves\03xxxxx\as02.dgn	DRAWN - _____	REVISED - _____	627			IM, I-1, DRS-4&1-1	BUREAU	6	2	
PLOT SCALE * 100,0000 1 / in.	CHECKED - _____	REVISED - _____	CONTRACT NO. 66D82							
MODEL NAME *	DATE - _____	REVISED - _____	[ILLINOIS] FED. AID PROJECT							
					SCALE: _____	SHEET _____ OF _____ SHEETS		STA. _____ TO STA. _____		

CODE NO.	ITEM	UNIT	CONSTR. CODE
			FED / STATE 90% / 10% ROADWAY 0021 RURAL
40600400	MIXTURE FOR CRACKS, JOINTS, AND FLANGEWAYS	TON	10.1
48101200	AGGREGATE SHOULDERS, TYPE B	TON	345
67100100	MOBILIZATION	L SUM	1
70100460	TRAFFIC CONTROL AND PROTECTION, STANDARD 701306	L SUM	1
70300100	SHORT TERM PAVEMENT MARKING	FOOT	1190
70301000	WORK ZONE PAVEMENT MARKING REMOVAL	SQ FT	397
* 78100100	RAISED REFLECTIVE PAVEMENT MARKER	EACH	150
78300100	PAVEMENT MARKING REMOVAL	SQ FT	15873
78300200	RAISED REFLECTIVE PAVEMENT MARKER REMOVAL	EACH	150
* 78009004	MODIFIED URETHANE PAVEMENT MARKING - LINE 4"	FOOT	47620
X0327693	HIGH FRICTION SURFACE TREATMENT	SQ YD	35090
Z0030850	TEMPORARY INFORMATION SIGNING	SQ FT	42

12

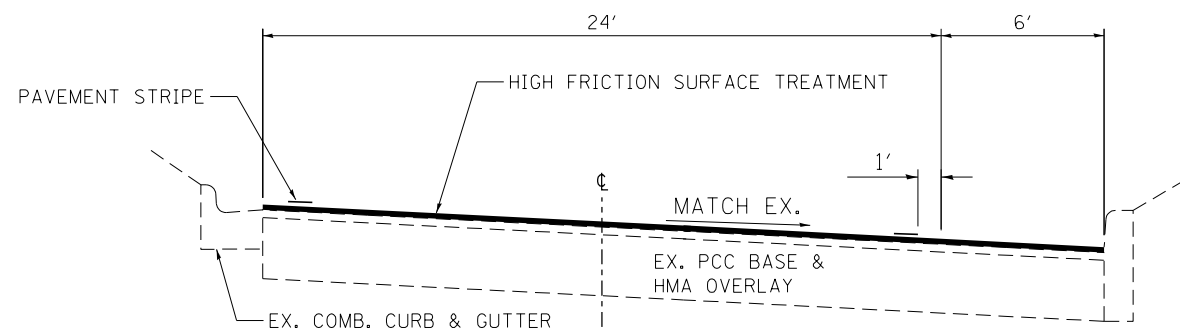
* Specialty Item

FILE NAME :	USER NAME : ferguson	DESIGNED - _____	REVISED - _____	STATE OF ILLINOIS DEPARTMENT OF TRANSPORTATION	SUMMARY OF QUANTITIES			F.A.P. RTE.	SECTION	COUNTY	TOTAL SHEETS	SHEET NO.
Si\Everyone\Ferguson, Scott\Safety Jobs\	Safety 2814\22 Projects\June Curve Jobs\St	QA\MMK Curves\0322222222.dwg	REVISED - _____					627	(M,1-1,DIRS-4&1-1)	BUREAU	6	3
	PLOT SCALE = 100.0000 1/4" = 1'	CHECKED - _____	REVISED - _____		SCALE: _____ SHEET _____ OF _____ SHEETS STA. _____ TO STA. _____			CONTRACT NO. 66082				
#MODELNAME#	PLOT DATE = 3/20/2014	DATE - _____	REVISED - _____		ILLINOIS FED. AID PROJECT							



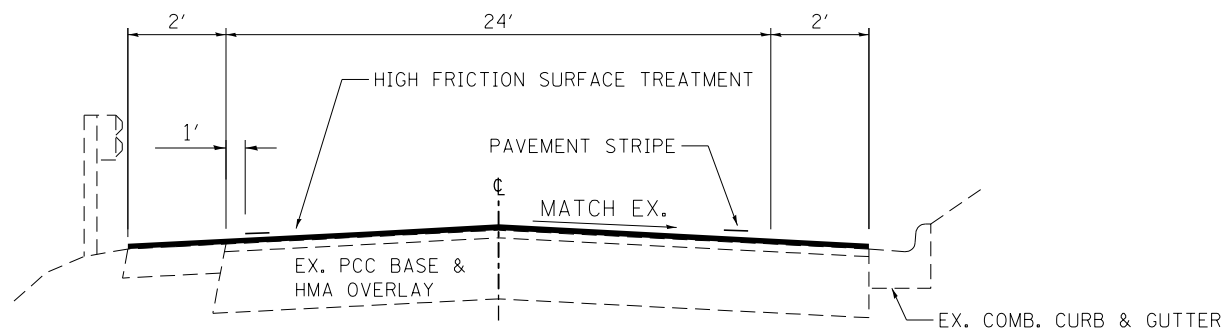
PROPOSED TYPICAL SECTION

STA. 372+92.0 TO STA. 384+10.0
 STA. 388+96.0 TO STA. 404+88.0
 STA. 450+00.0 TO STA. 454+25.0
 STA. 472+50.0 TO STA. 490+47.0
 STA. 531+20.0 TO STA. 535+30.0



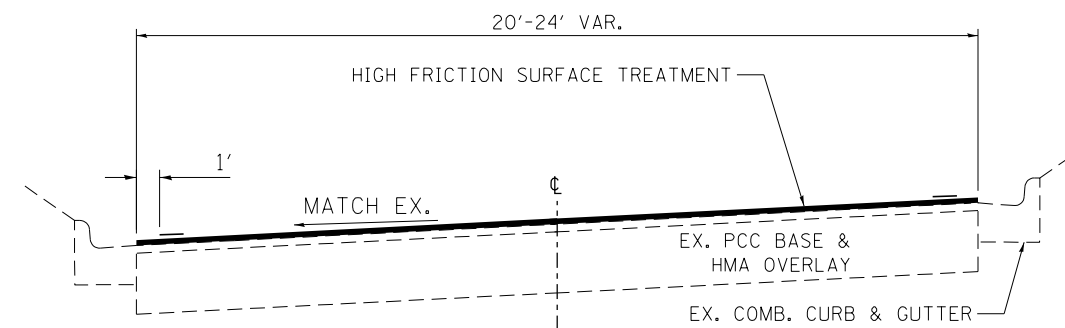
PROPOSED TYPICAL SECTION

STA. 384+10.0 TO STA. 388+96.0



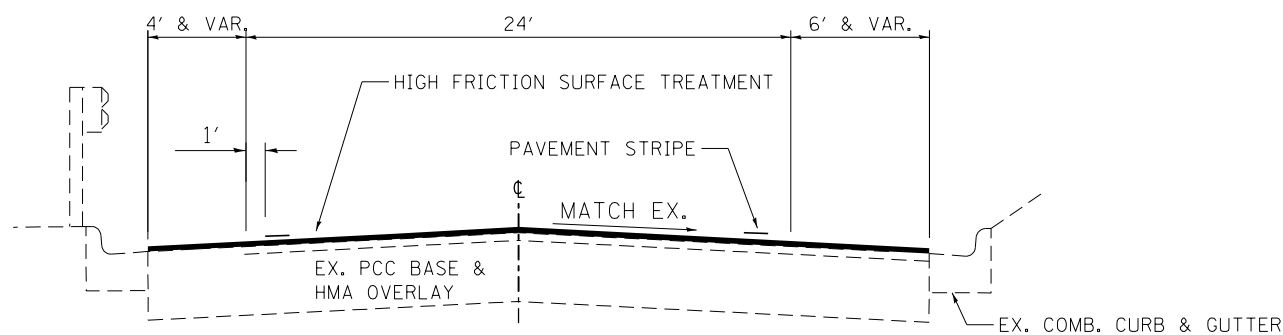
PROPOSED TYPICAL SECTION

STA. 404+88.0 TO STA. 409+43.0



PROPOSED TYPICAL SECTION

STA. 409+43.0 TO STA. 427+25.0
 STA. 454+25.0 TO STA. 459+80.0
 STA. 467+58.0 TO STA. 472+50.0
 STA. 490+47.0 TO STA. 505+50.0



PROPOSED TYPICAL SECTION

STA. 459+80.0 TO STA. 467+58.0

FILE NAME =	USER NAME = ferguson	DESIGNED -	REVISED -
S:\Everyone\Ferguson, Scott\Safety Jobs\Safety 2014\5% Projects\June Curve Jobs\Sta	DRW	CHECKED -	REVISED -
\$MODELNAME\$	PLOT DATE = 3/28/2014	DATE -	REVISED -

STATE OF ILLINOIS
 DEPARTMENT OF TRANSPORTATION

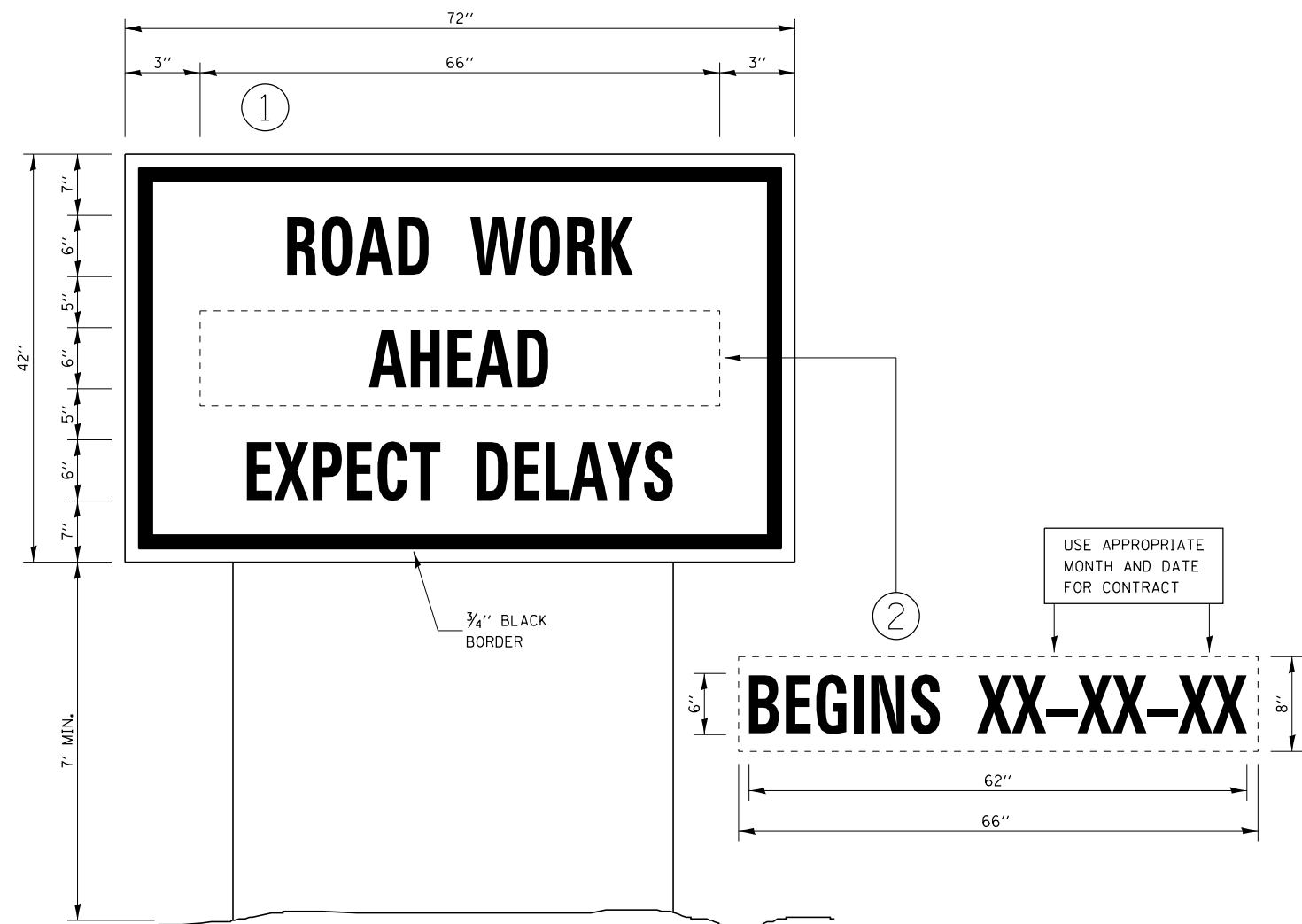
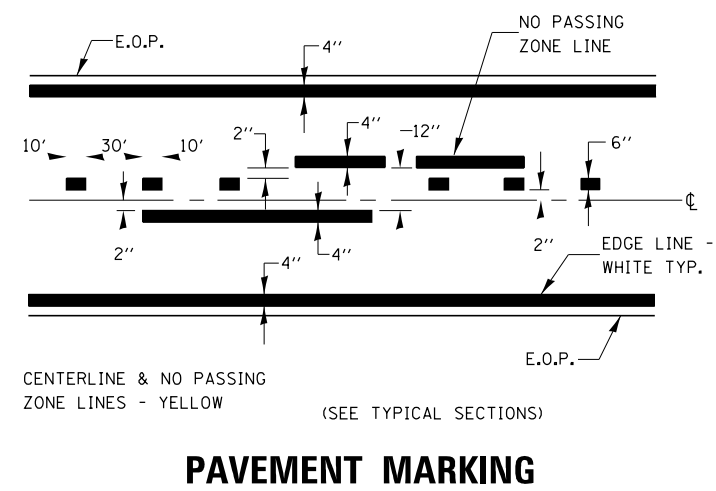
TYPICAL SECTIONS

SCALE: _____ SHEET _____ OF _____ SHEETS STA. _____ TO STA. _____

F.A.P. RTE.	SECTION	COUNTY	TOTAL SHEETS	SHEET NO.
627	(M, I-1, DIRS-4&I-1)	BUREAU	6	4
CONTRACT NO. 66D82			ILLINOIS FED. AID PROJECT	

IL 71 MAINLINE SCHEDULE

			PVMT WIDTH	PVMT AREA	PVMT MARKING REMOVAL	RRPM REMOVAL	HIGH FRICTION SURFACE TREATMENT	SHORT-TERM PAVEMENT MARKING	WORK ZONE PVMT MARK. REMOVAL	RRPM	URETHANE PAVT MARK. 4" WHITE	URETHANE PAVT MARK. 4" YELLOW	MIX FOR CRACKS, JTS FLGWYS	AGGREGATE SHOULDER, TYPE B
	LENGTH	FOOT	SO YD	SO FT	EACH	SO YD	FOOT	SO FT	EACH	FOOT	FOOT	TON	TON	
START PROJECT	372+92.0 (127' W OF 950TH RD) TO 382+13.8	921.8	32	3277.5	1229	12	3278	92	31	12	1844	1844	1.0	70
STA EQUATION	382+13.8 BK = 382+02.0 AH													
	382+02.0 TO 384+10.0	208.0	32	739.6	277	3	740	21	7	3	416	416	0.2	16
	384+10.0 TO 388+96.0	486.0	30	1620.0	648	6	1620	49	16	6	972	972	0.5	
	388+96.0 TO 404+88.0	1592.0	30	5306.7	2123	20	5307	159	53	20	3184	3184	1.6	60
	404+88.0 TO 409+43.0	455.0	28	1415.6	607	6	1416	46	15	6	910	910	0.4	
	409+43.0 TO 427+25.0	1782.0	24	4752.0	2376	22	4752	178	59	22	3564	3564	1.4	
OMISSION	427+25.0 TO 450+00.0													
	450+00.0 TO 454+25.0	425.0	24	1133.3	567	5	1133	43	14	5	850	850	0.3	32
	454+25.0 TO 459+80.0	555.0	24	1480.0	740	7	1480	56	19	7	1110	1110	0.4	
	459+80.0 TO 467+58.0	1278.0	34	4828.0	1704	16	4828	128	43	16	2556	2556	1.4	
	467+58.0 TO 472+50.0	492.0	24	1312.0	656	6	1312	49	16	6	984	984		
	472+50.0 TO 490+47.0	1797.0	24	4792.0	2396	22	4792	180	60	22	3594	3594	1.4	136
	490+47.0 TO 505+50.0	1503.0	20	3340.0	2004	19	3340	150	50	19	3006	3006	1.0	
OMISSION	505+50.0 TO 531+20.0													
END PROJECT	531+20.0 TO 535+30.0 (555' E OF PARK ENTR.)	410.0	24	1093.3	547	5	1093	41	14	5	820	820	0.3	31
GRAND TOTAL					15873	150	35090	1190	397	150	23810	23810	10.1	345



NOTES:

1. USE 6" D BLACK LETTERING ON FLOURESENT ORANGE BACKGROUND.
2. ERECT SIGNS AT LOCATIONS IN ADVANCE OF THE "ROAD CONSTRUCTION AHEAD" SIGNS AS DIRECTED BY THE ENGINEER.
3. ERECT SIGN ① WITH INSTALLED PANEL ② A MINIMUM OF ONE WEEK PRIOR TO THE START OF THE LANE CLOSURE.
4. REMOVE PANEL ② ON THAT DATE.
5. SEE SPECIAL PROVISION "TEMPORARY INFORMATION SIGNING" FOR ADDITIONAL INFORMATION.
6. WILL BE PAID FOR PER SQ FT AS "TEMPORARY INFORMATION SIGNING". EACH SIGN = 21 SQ FT AND THE DATE PANEL ② WILL NOT BE MEASURED SEPARATELY FOR PAYMENT.

FILE NAME =	USER NAME = ferguson	DESIGNED - _____	REVISED - _____	STATE OF ILLINOIS DEPARTMENT OF TRANSPORTATION	DETAILS	F.A.P. RTE.	SECTION	COUNTY	TOTAL SHEETS	SHEET NO.	
S:\Everyone\Ferguson, Scott\Safety Jobs\Safety 2014\5% Projects\June Curve Jobs\Stationing\Drawings\Curves\03xxxx-xso.dgn	SAFETY 2014\5% Projects\June Curve Jobs\Stationing\Drawings\Curves\03xxxx-xso.dgn	CHECKED - _____	REVISED - _____			627	(M, I-1, DIRS-4&I-1)	BUREAU	6	6	
#MODELNAME#	PLOT SCALE = 100.0000' / 1in.	DATE - _____	REVISED - _____			CONTRACT NO. 66D82			ILLINOIS FED. AID PROJECT		
	PLOT DATE = 3/28/2014					SCALE: _____ SHEET ____ OF ____ SHEETS STA. _____ TO STA. _____					