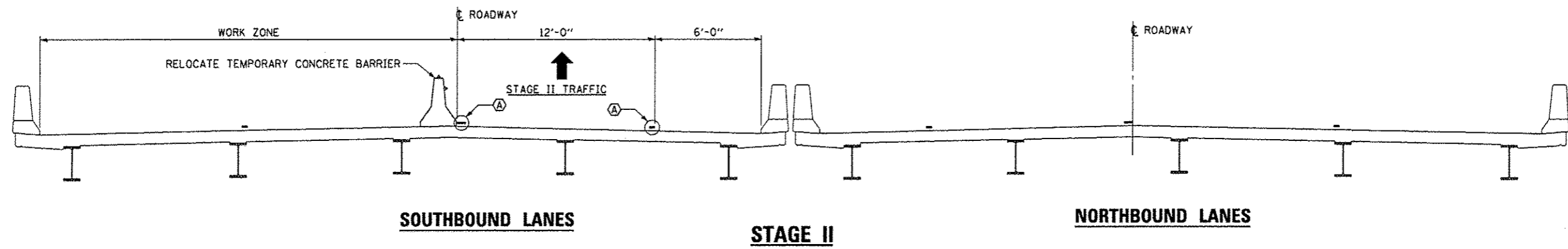


(A) EXISTING PAVEMENT MARKING



(A) EXISTING PAVEMENT MARKING

FILE NAME *	USER NAME * Potelyj	DESIGNED -	REVISED -	STATE OF ILLINOIS DEPARTMENT OF TRANSPORTATION	STAGING DETAILS			F.A.I. RTE.	SECTION	COUNTY	TOTAL SHEETS	SHEET NO.
c:\pwork\pwork\potelyj\d9388782\036694-sht-details.dgn		DRAWN -	REVISED -		39	(50-4B-1)BP	LASALLE	9	7			
		CHECKED -	REVISED -					CONTRACT NO. 66094				
		DATE -	REVISED -		SCALE:	SHEET NO. 1 OF 1 SHEETS	STA.	TO STA.	ILLINOIS FED. AID PROJECT			
	PLOT SCALE = 1/80.0000' / in.											
	PLOT DATE = 4/15/2014											