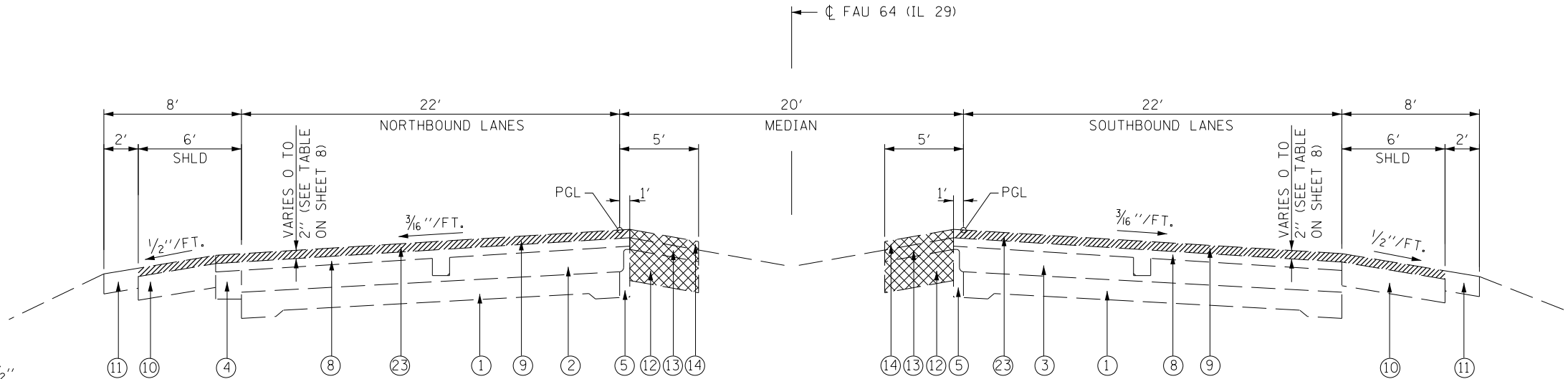
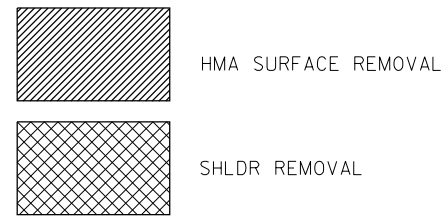


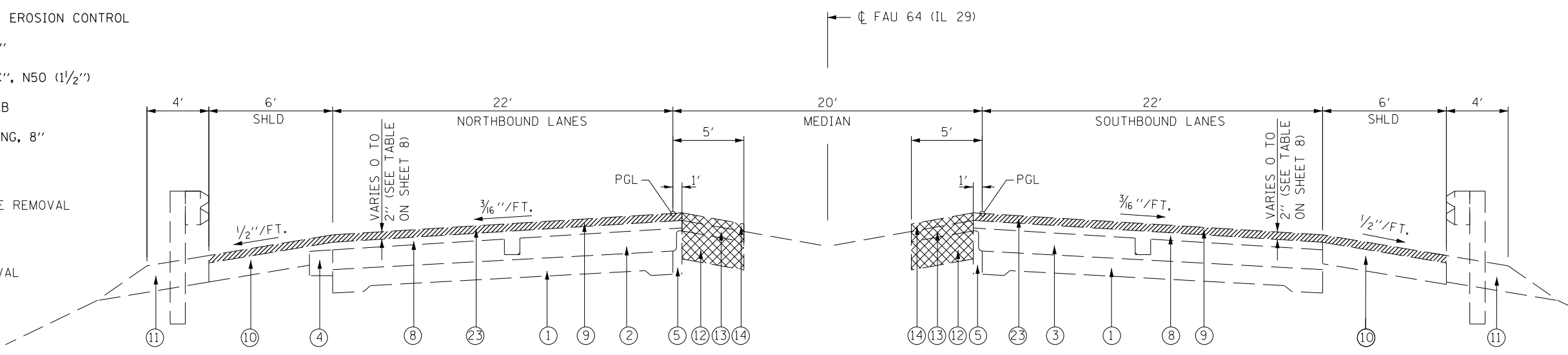
LEGEND

- ① EX 9"-7"-9" P.C.C. PAVEMENT
- ② EX BIT OVERLAY 7¾" TO 8¾"
- ③ EX BIT OVERLAY 8" TO 10"
- ④ EX SURFACE CSE WIDENING
- ⑤ EX M-4.04 CCC & G
- ⑥ EX SIDEWALK
- ⑦ EX BRIDGE PARAPET
- ⑧ EX POLY. LVL. BNR. IL-4.75, N50 ¾"
- ⑨ EX POLY. HMA SURF CSE MIX "D", N70 1½"
- ⑩ EX HMA SHLD 8"
- ⑪ EX AGG SHLD, TY B
- ⑫ EX 6" STABILIZATION SHLD (BAM) - TBR
- ⑬ EX BIT SHLD 1" TO 2" - TBR
- ⑭ EX HMA SHLD 1½" - TBR
- ⑰ PR AGG WEDGE SHLD, TY B
- ⑱ PR POLY. HMA SURF CSE MIX "D", N70 (1½")
- ⑳ PR HMA SURFACE REMOVAL, VARIABLE DEPTH
- ㉑ PR GUARDRAIL AGGREGATE EROSION CONTROL
- ㉒ PR HMA BASE COURSE, 10"
- ㉓ PR HMA SURF CSE MIX "C", N50 (1½")
- ㉔ PR BRIDGE APPROACH SLAB
- ㉕ HMA BASE COURSE WIDENING, 8"



EXISTING TYPICAL SECTION #1

STA 96+50 TO STA 99+13
 STA 99+13 TO STA 99+68 NB ONLY
 STA 100+05 TO STA 101+91 SB ONLY
 STA 101+91 TO STA 103+50
 MEDIAN SHOULDER REMOVAL
 STA 95+11 TO STA 104+85



EXISTING TYPICAL SECTION #2

STA 98+30 TO STA 99+15 SB ONLY
 STA 99+68 TO STA 101+91 NB ONLY



USER NAME = *USER*	DESIGNED -	REVISED -
PLOT SCALE = *SCALE*	DRAWN -	REVISED -
PLOT DATE = *DATE* *TIME*	CHECKED -	REVISED -
	DATE -	REVISED -

**STATE OF ILLINOIS
 DEPARTMENT OF TRANSPORTATION**

TYPICAL SECTIONS

SCALE: SHEET NO. OF SHEETS STA. TO STA.

F.A.U. RTE.	SECTION	COUNTY	TOTAL SHEETS	SHEET NO.
64	(10B)BR	PEORIA	77	10
CONTRACT NO. 68481				
FED. ROAD DIST. NO. 4 ILLINOIS FED. AID PROJECT				