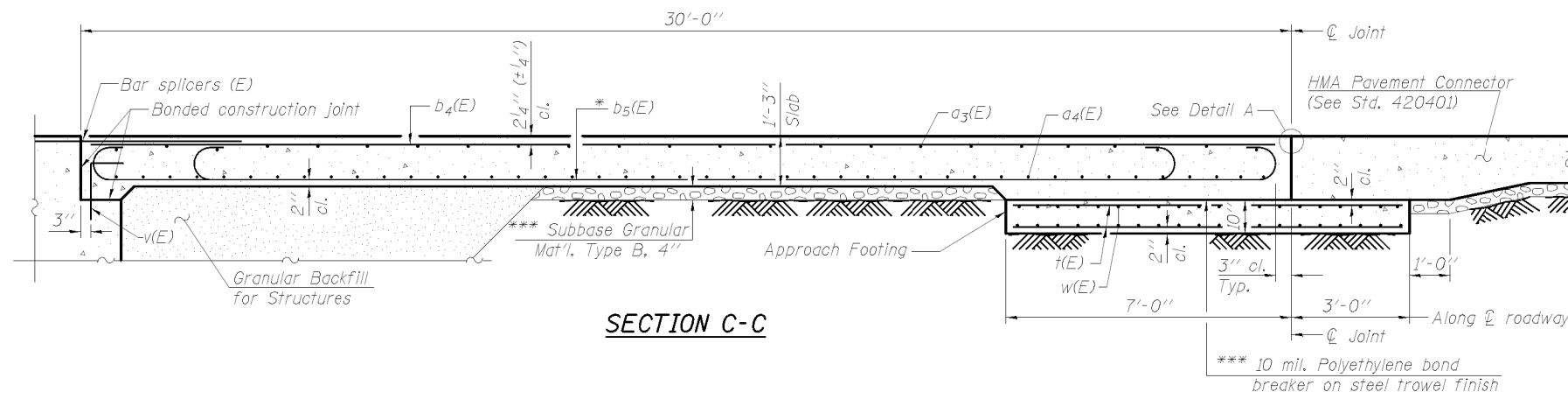
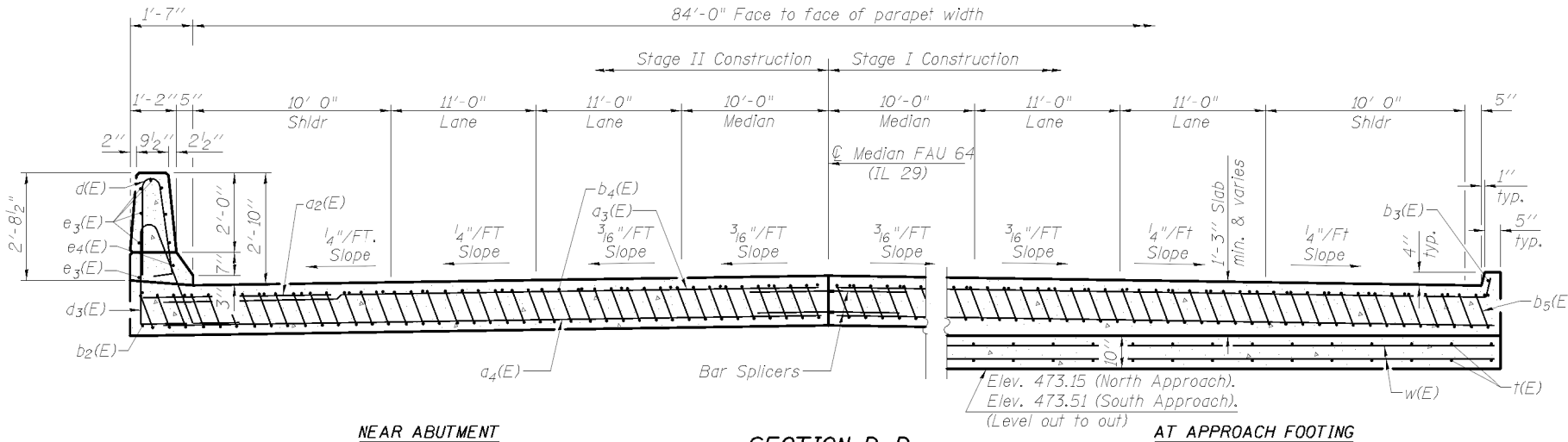


Notes:
 See sheet 12 of 27 for Detail A and View B-B.
 Approach slab and parapet concrete shall be paid for as Concrete Superstructure.
 Approach footing concrete shall be paid for as Concrete Structures.
 Reinforcement shall be paid for as Reinforcement Bars, Epoxy Coated.
 For v(E) bar details, see sheet 10 of 27.
 The approach footing maximum applied service bearing pressure (Qmax) = 2.0 ksf.
 For bar splicer details, see sheet 15 of 27.
 Cost of excavation for approach footing included with Concrete Structures.
 For Porous Granular Embankment (Special) and drainage treatment details, see sheet 2 of 27.
 For additional parapet details, see sheet 10 of 27.



SECTION C-C

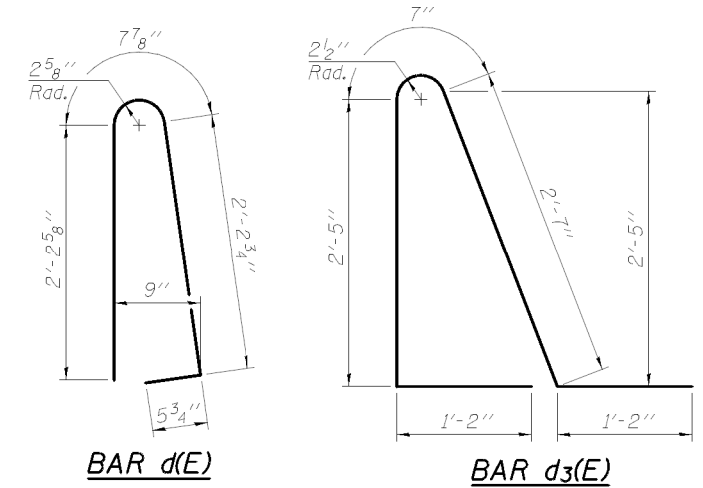


NEAR ABUTMENT

SECTION D-D

(See Plan for dimensions not shown)

AT APPROACH FOOTING

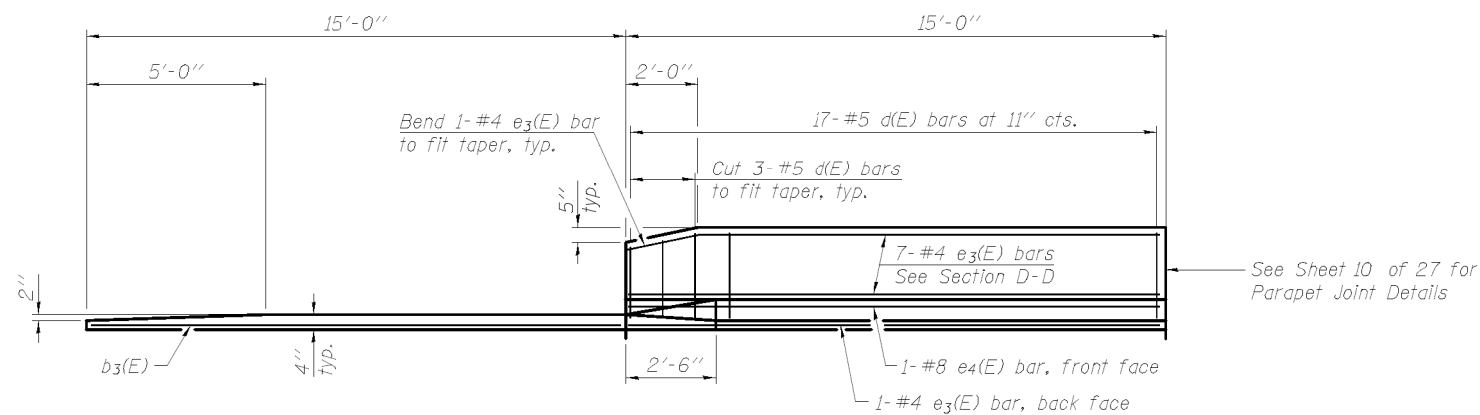


BAR d(E)

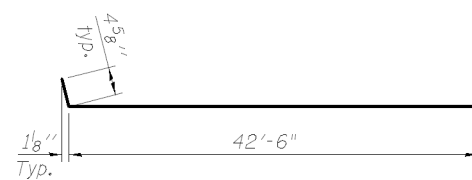
BAR d3(E)

* Tilt #9 b1(E) bars as required to maintain clearance.

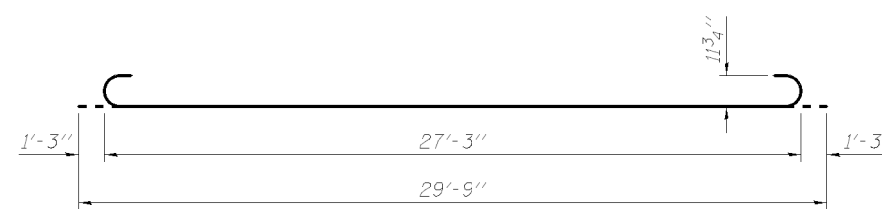
*** Cost Included with Concrete Superstructure.



VIEW E-E



BAR a3(E)



BAR b5(E)

**TWO APPROACHES
 BILL OF MATERIAL**

Bar	No.	Size	Length	Shape
a2(E)	48	#6	6'-6"	—
a3(E)	100	#4	42'-11"	—
a4(E)	184	#5	42'-7"	—
b2(E)	4	#4	14'-8"	—
b3(E)	4	#4	14'-4"	—
b4(E)	136	#4	29'-8"	—
b5(E)	412	#9	29'-9"	—
d(E)	68	#5	5'-7"	U
d3(E)	68	#5	7'-11"	U
e3(E)	32	#4	14'-8"	—
e4(E)	4	#8	14'-8"	—
t(E)	172	#4	9'-8"	—
w(E)	160	#5	42'-7"	—
Concrete Superstructure			Cu. Yd.	264
Concrete Structures			Cu. Yd.	53
Reinforcement Bars, Epoxy Coated			Pound	65600

(Sheet 2 of 2)