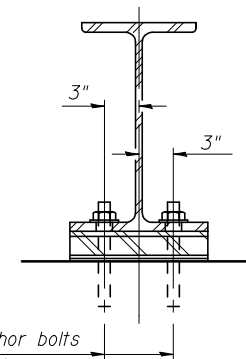


ELEVATION AT ABUTMENT
(28 - Required)

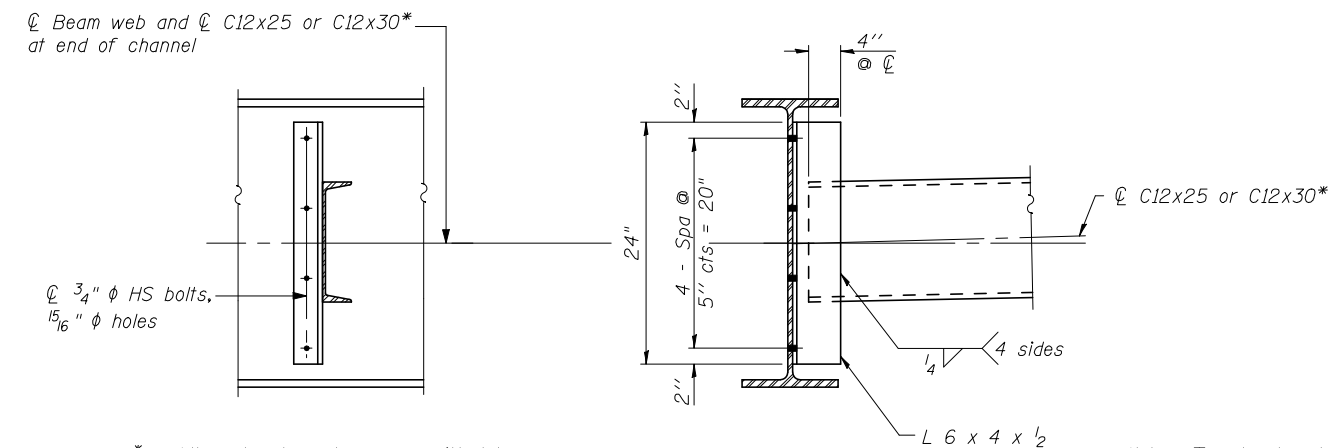


∅ 1" φ x 12" ASTM F1554 (Grade 36) Anchor bolts with 2 1/4" x 2 1/4" x 5/16" ∅ washer under nut. 1 3/8" x 2" slotted hole in flange. 1 1/2" φ holes in bearing plate.

SECTION A-A

FIXED BEARING

Notes:
Anchor bolts shall be ASTM F1554 all-thread (or an Engineer-approved alternate material) of the grade(s) and diameter(s) specified. ASTM A307 Grade C anchor bolts may be used in lieu of ASTM F1554 Grade 36 (Fy=36ksi). The corresponding specified grade of AASHTO M314 anchor bolts may be used in lieu of ASTM F1554.
Anchor bolts at fixed bearings may be either cast in place or installed in holes drilled after the supported member is in place.
Drilled and set anchor bolts shall be installed according to Article 521.06 of the Standard Specifications.
All steel plates, angles, and channels shall be AASHTO M270 GR 50W.



* Alternate channels are permitted to facilitate material acquisition. Calculated weight of structural steel is based on the lighter section. The alternate, if utilized, shall be provided at no additional cost to the Department.

Note: Two hardened washers required for each set of oversized holes.

INTERIOR DIAPHRAGM D1
(26 Required)

FILE NAME = ...\\0720226-68481-015-Brg&St1D1.s.dgn	USER NAME = _USER_	DESIGNED - MT	REVISED -	STATE OF ILLINOIS DEPARTMENT OF TRANSPORTATION	BEARING AND STEEL DETAILS STRUCTURE NO. 072-0226	F.A.U. RTE.	SECTION	COUNTY	TOTAL SHEETS	SHEET NO.	
THE UPCHURCH GROUP, INC.	PLOT SCALE = #SCALE#	CHECKED - MJS	REVISED -			64	(10B) BR	PEORIA	77	43	
PLOT DATE = 12/17/2012 10:01:49 AM		DRAWN - RMH	REVISED -			CONTRACT NO. 68481					
		CHECKED - LP	REVISED -			ILLINOIS FED. AID PROJECT					